

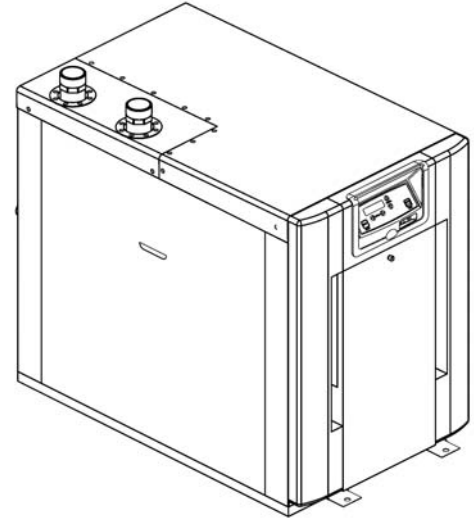
Job: _____
 Engineer: _____
 Contractor: _____
 Prepared By: _____ Date: _____
 Model: _____ Indoor/Outdoor: _____

XFyre™ - Type H

Condensing Heating Boilers

Models 300-850

- Up to 94% Thermal Efficiency at Full Rate**
- 100% Factory Fire Tested**
- Maximum Outlet Water Temperature: 210°F**
- Maximum System Temperature: 200°F**
- Full Safety Diagnostics with History**
- Footprint: Less Than 9-1/2 ft²**
- Limited Twenty-Year Thermal Shock Warranty**
- Limited Ten-Year Heat Exchanger Warranty**
- Full Electronic Modulation, Constant Ratio 5:1 Turndown**
- Soft-Start Modulating Controller with LCD Display**
- Status and Full Diagnostics Display**



Heat Exchanger

- All Stainless Steel Construction
- Gasketless Heat Exchanger Design
- ASME H Stamped
 - 160 PSIG Working Pressure
- National Board Approved
- ASME Pressure Relief Valve
 - 60 PSIG – Standard
 - ___ PSIG – Optional
- Temperature and Pressure Gauge, Shipped Loose

Control

- 120V, 60Hz, 1Ø, Power Supply
- Digital Operating Control with LCD display.
- Outdoor reset with Indirect Priority
- 0-10 VDC input for BMS
- Cascade up to 8 boilers
- Spark Ignition (IID)
- Remote Flame Sensor
- High Limit, Manual Reset, Fixed, 200°F
- Auto Limit, Fixed, 210°F
- Alarm Dry Contact Connection
- On/Off Power Switch
- Flow Switch
- Blocked Vent Pressure Switch
- Boiler, DHW & System Pump Contacts
- Water Temperature Sensors (3)

Burner

- Ultra-Low NOx: Less than 20 PPM

Gas Train

- Fuel
 - Natural Gas
 - Propane
- Zero Governor Regulator
- Dual-Seat Combination Valve
- Electronic Modulating Firing Mode (H7)

Construction

- Indoor/Outdoor Construction
- Front Controls Enclosed
- PolyTuf Powder Coat Finish
- Rear Connections (Electrical, Gas, Vent, Combustion Air)
- Top Connections (Water)
- Design Certified ANSI Z21.13/ CSA 4.9

Venting (PVC-CPVC-Stainless.)

- Vent Termination
 - Indoor, Vertical – Option D-11
 - Indoor, Horizontal – Option D-15
 - Outdoor
- Extractor - Optional
 - By others
 - Not required

Multi-Boiler System Controllers

- B-36 TempTracker Mod+ Digital Controller, 2-4 Boilers, OA Reset
- B-37 TempTracker Mod+ Digital Controller, 5-10 Boilers, OA Reset
- B-38 TempTracker Mod+ Digital Controller, 11-16 Boilers, OA Reset

Options

- D-21 TruSeal™ Combustion Air Inlet
- P-___ Pump: ___HP, 120V, 1Ø, 60Hz
 - Cast Iron Bronze
- S-1 Low Gas Pressure Switch, Manual Reset
- S-2 High Gas Pressure Switch, Manual Reset
- Z-12 Condensate Neutralizer Kit

Regulatory Agency Requirements

- _____



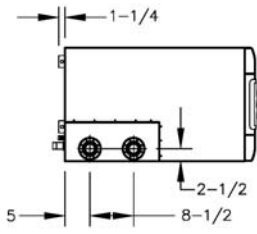
Raypak®
 A Rheem® Company

XFyre – Type H Models 300-850

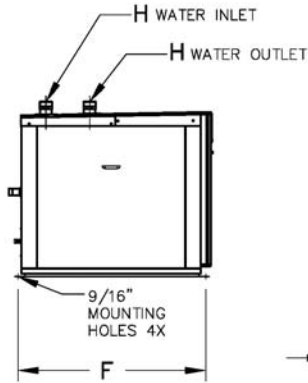
Model _____

CLEARANCES

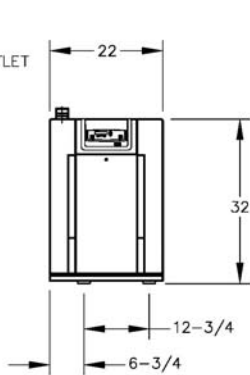
	Certified Minimum	Recomm. Service
Front	24"	24"
Rear	24"	24"
Right	1"	1"
Left	1"	1"
Top	12"	24"
Floor	0"	--
Vent	1"	--



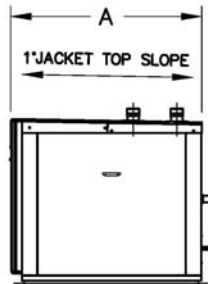
TOP VIEW



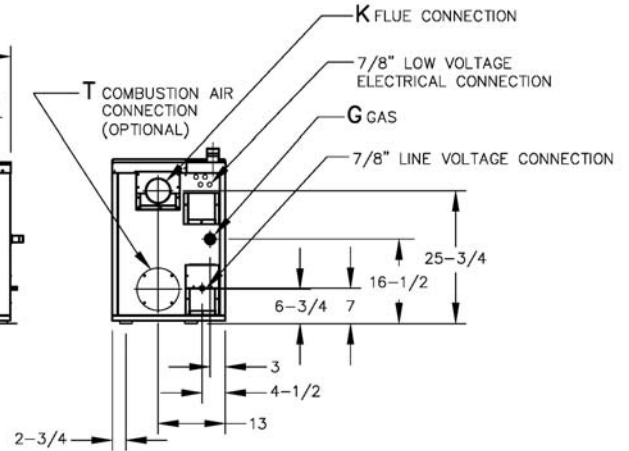
LEFT VIEW



FRONT



RIGHT VIEW



REAR

Model (H7-)	MBTUH		Dimensions (in.)						Ship Weight (Lbs.)	Footprint (Ft ²)	Amps*
	Input	Output	A Length	F Mounting	G NPT	H NPT	K Flue Ø	N C/A Ø			
300	300	282	28-1/4	27-9/16	3/4	1-1/2	4	4	410	6.6	3
500	500	470	37-1/4	36-1/4	1	1-1/2	4	4	505	7.9	4
850	850	799	54-1/4	53-9/16	1-1/4	2	6	6	580	9.5	5

Ratings shown are for elevations up to 2,000 feet. For installations at elevations above 2,000 feet, please consult the factory for additional instructions.

* Current draw is for heater only. (Supply breaker must have delayed trip.)

RATES OF FLOW AND PRESSURE DROPS

Model (H7-)	20°F ΔT		30°F ΔT		40°F ΔT		Min Flow			Max Flow		
	GPM	ΔP	GPM	ΔP	GPM	ΔP	GPM	ΔP	ΔT	GPM	ΔP	ΔT
300	28	17	19	8	14	5	14	5	40	36	27	17
500	47	16	31	7	24	4	24	4	40	56	24	18
850	80	40	53	17	40	10	40	10	40	80	40	20

* Closed systems only

Free Manuals Download Website

<http://myh66.com>

<http://usermanuals.us>

<http://www.somanuals.com>

<http://www.4manuals.cc>

<http://www.manual-lib.com>

<http://www.404manual.com>

<http://www.luxmanual.com>

<http://aubethermostatmanual.com>

Golf course search by state

<http://golfingnear.com>

Email search by domain

<http://emailbydomain.com>

Auto manuals search

<http://auto.somanuals.com>

TV manuals search

<http://tv.somanuals.com>