

Job: _____

Engineer: _____

Contractor: _____

Prepared By: _____ Date: _____

Model: _____ Indoor/Outdoor: _____

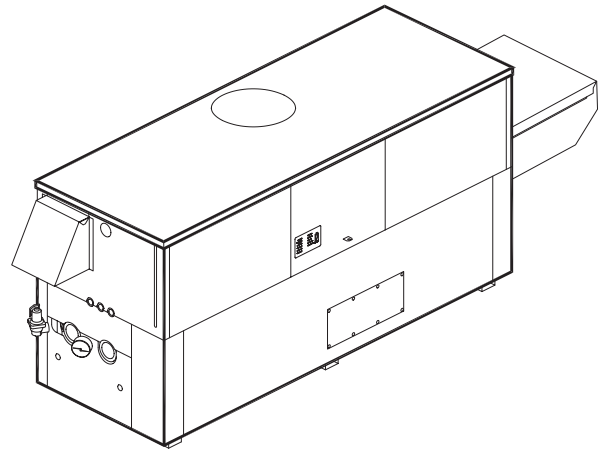
Hi Delta[®] - Type H

Hydronic Heating Boiler
Models 302BE-902BE

87% Efficiency

MBTUH Input: _____

- ♦ 100% Factory Fire Tested
- ♦ Efficiency: 87%
- ♦ Maximum Outlet Temperature: 230°F
- ♦ Minimum Non-Condensing Inlet Temperature: 120°F
- ♦ Thermal Shock Proof Heat Exchanger
- ♦ Limited Twenty-Year Thermal Shock Warranty
- ♦ Limited Ten-Year Heat Exchanger Warranty
- ♦ Diagnostic Center with Fault History
- ♦ PolyTuf Powder Coated Cabinet
- ♦ No Combustible Floor Shield Required
- ♦ Fan-Assisted
- ♦ Patented Burner Security Blanket



Heat Exchanger

- H Stamp
- Headers
 - Glass-Lined Cast Iron – Standard
 - Bronze – Option A-1
- ASME Inspected and Stamped 160 PSIG Working Pressure
- National Board Approved
- Fin Tubing
 - Copper – Standard
 - Cupro Nickel – Option A-3
- ASME Steel Tube Sheet
- Silicone High Temp O-Rings
- Pressure Relief Valve, ASME
 - 45 PSIG – Standard on Models 302BE and 402BE
 - 60 PSIG – Standard on Models 502BE-902BE
 - _____ PSIG – Optional
- Temperature and Pressure Gauge
- Water Connections
 - Left – Standard
 - Right – Option A-6

Controls

- 120V, 60Hz, 1Ø Power Supply
- 120/24V 60Hz Transformer
- 100% Shutoff/Lockout
- Hot Surface Ignition
- Remote Flame Sensor
- High Limit Control, Manual Reset
- On/Off Power Switch
- Manual Shut-Off, Front-Mounted
- Flow Switch
- Blocked Vent Pressure Switch
- Combustion Air Proving Switch
- Economaster Pump Time Delay

Gas Train

- Manual Gas Shut-Off Valve(s)
- Gas Pressure Regulator
- Safety Shut-Off Valve
- Firing Control Valve
- Firing Mode
 - On/Off (H4): Models 302BE and 402BE
 - 2-Stage (H3): Models 302BE - 902BE
- Fuel
 - Natural Gas
 - Propane Gas
 - 4" WC Gas Supply Pressure G-20
- Design Certified ANSI Z21.13/ CSA 4.9

Venting

- Vent Location
 - Top – Standard
 - Rear – Option D-14
- Vent Termination Cap
 - Outdoor D-11
 - Indoor, Horizontal D-15
 - Indoor, Vertical (by others)
- Combustion Air
 - In-Line Filter Kit (Recommended with Ducted-In Air Only) D-17
 - Air Intake Elbow D-16
- Extractor - Optional
 - By Others
 - Not Required

Construction

- Indoor/Outdoor Construction
- Enclosed Front Controls

Burner

- Ultra-Low NOx: Less than 30 PPM

Temperature Controls

- B-2 Tankstat, Single-Stage (100-200°F)
- B-3 Tankstat, 2-Stage (100-200°F)
- B-6 Aquastat, 2-Stage (100-200°F)
- B-__ TempTracker Digital Controller, 2-Stage
- B-__ TempTracker Digital Controller, 4-Stage
- Y-241 Electronic Sequencer, 4-Stage
- Y-281 Electronic Sequencer, 8-Stage

Options

- C-6 Ignition Module, Manual Reset
- D-21 TruSeal[®] Direct Vent
- F-10 Low Water Cut-Off, Remote Probe
- I-1 High Limit Control, Auto Reset
- P-__ Pump: _____ HP, 120V, 1Ø, 60Hz
Water Hardness: _____ GPG
 - Cast Iron
 - Bronze
 - Mounted
 - Loose
 - Front
 - Rear
- P-26 Cold Water Start (See 2000.48)
- S-1 Low Gas Pressure Switch, Manual
- S-2 High Gas Pressure Switch, Manual
- X-1 SureRack[™] Kit
- X-2 SureRack Add-on
- _____

Regulatory Agency Requirements



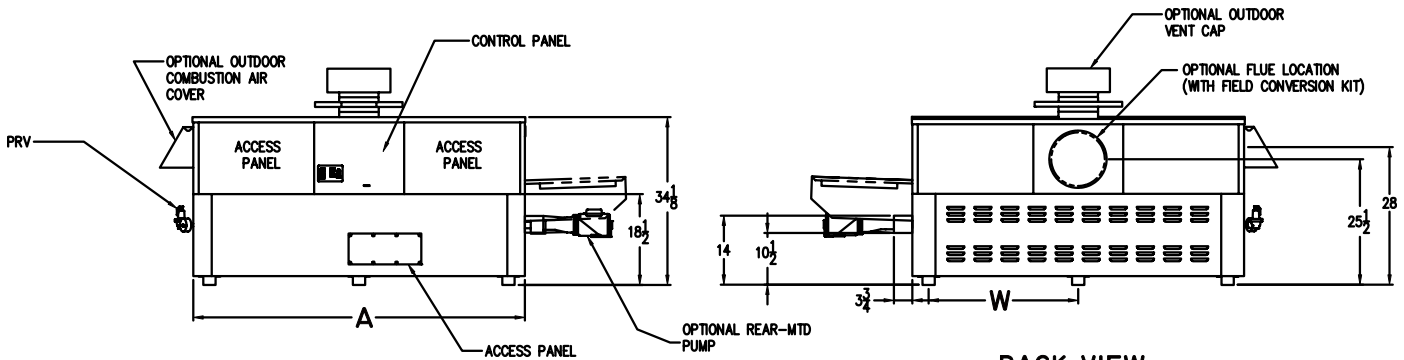
Raypak[®]

A Rheem[®] Company

Hi Delta – Type H

Models 302BE-902BE, 87% Efficiency

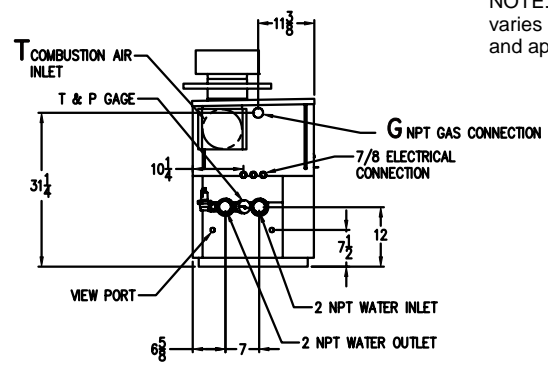
Model _____



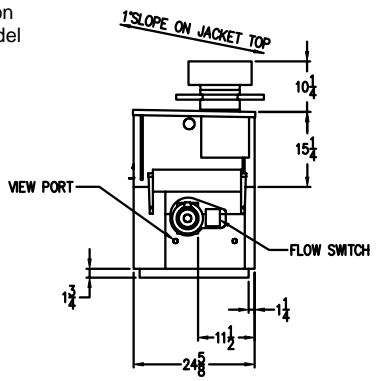
FRONT VIEW

BACK VIEW

NOTE: Pump location varies based on model and application

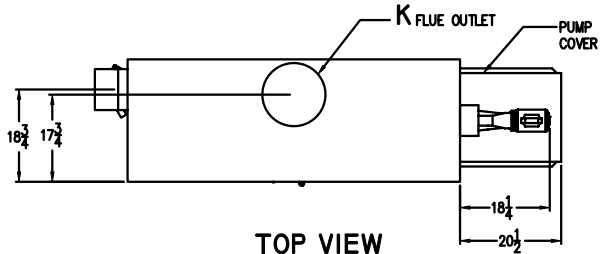


LEFT SIDE



RIGHT SIDE

SPECIFICATIONS



TOP VIEW

| Model | MBTUH | | A Width | G NPT | H NPT | K | T | W | Amp. Draw | Approx. Shipping Wt. (Lbs) |
|-------|-------|--------|------------|----------|----------|---|---|--------|--------------|----------------------------------|
| | Input | Output | | | | | | | | |
| 302BE | 300 | 261 | 36 | 3/4 | 2 | 5 | 6 | 18 | 6 | 380 |
| 402BE | 399 | 347 | 43 | 3/4 | 2 | 6 | 6 | 18-1/2 | 6 | 445 |
| 502BE | 500 | 435 | 50 | 1-1/4 | 2 | 6 | 6 | 22 | 6 | 545 |
| 652BE | 650 | 566 | 60-1/2 | 1-1/4 | 2 | 8 | 6 | 27-1/4 | 6 | 590 |
| 752BE | 750 | 653 | 67-1/2 | 1-1/4 | 2 | 8 | 6 | 30-3/4 | 6 | 675 |
| 902BE | 900 | 783 | 78 | 1-1/4 | 2 | 8 | 6 | 36 | 7 | 740 |

Dimensions are in inches.

RATES OF FLOW AND PRESSURE DROPS

| Model | 10°F ΔT | | 20°F ΔT | | 30°F ΔT | | Min. Flow | | | Max. Flow | | |
|-------|---------|---------|---------|---------|---------|---------|-----------|---------|----|-----------|---------|----|
| | GPM | ΔP (ft) | GPM | ΔP (ft) | GPM | ΔP (ft) | GPM | ΔP (ft) | ΔT | GPM | ΔP (ft) | ΔT |
| 302BE | 52 | 3.4 | 26 | <1 | N/A | N/A | 20 | <1 | 26 | 90 | 9.8 | 6 |
| 402BE | 69 | 5.8 | 35 | 1.5 | 23 | <1 | 20 | <1 | 35 | 90 | 10.0 | 8 |
| 502BE | 87 | 9.9 | 44 | 2.5 | 29 | 1.2 | 22 | <1 | 40 | 90 | 10.5 | 10 |
| 652BE | N/A | N/A | 57 | 4.3 | 38 | 2.0 | 28 | 1.2 | 40 | 90 | 10.7 | 13 |
| 752BE | N/A | N/A | 65 | 5.8 | 44 | 2.7 | 33 | 1.7 | 40 | 90 | 11.0 | 15 |
| 902BE | N/A | N/A | 78 | 9.0 | 52 | 4.1 | 39 | 2.4 | 40 | 90 | 11.8 | 17 |

Basis is 20 GPM or 40°F ΔT for minimum flow, 90 GPM for maximum flow.

NOTES: 1. Rates shown are for natural or propane gas, and elevations up to 5,000 feet. For installation above 5,000 feet, please contact manufacturer.
2. Required natural gas pressure is 7 – 10.5" WC. Required propane gas pressure is 11 – 13" WC.

Raypak, Inc. ▪ 2151 Eastman Avenue, Oxnard, CA 93030 ▪ (805) 278-5300 ▪ Fax (800) 872-9725 ▪ www.raypak.com

Free Manuals Download Website

<http://myh66.com>

<http://usermanuals.us>

<http://www.somanuals.com>

<http://www.4manuals.cc>

<http://www.manual-lib.com>

<http://www.404manual.com>

<http://www.luxmanual.com>

<http://aubethermostatmanual.com>

Golf course search by state

<http://golfingnear.com>

Email search by domain

<http://emailbydomain.com>

Auto manuals search

<http://auto.somanuals.com>

TV manuals search

<http://tv.somanuals.com>