

POOL
MODEL: 155A

CATALOG NO. 9100.35
Effective: 12-08-08
Replaces: 02-06-07

RAYPAK ILLUSTRATED PARTS LIST

MODEL SIZE: 155A
MODEL TYPE: WHG VERSA

DATE OF MANUFACTURE: 11-87 THRU 10-31-91

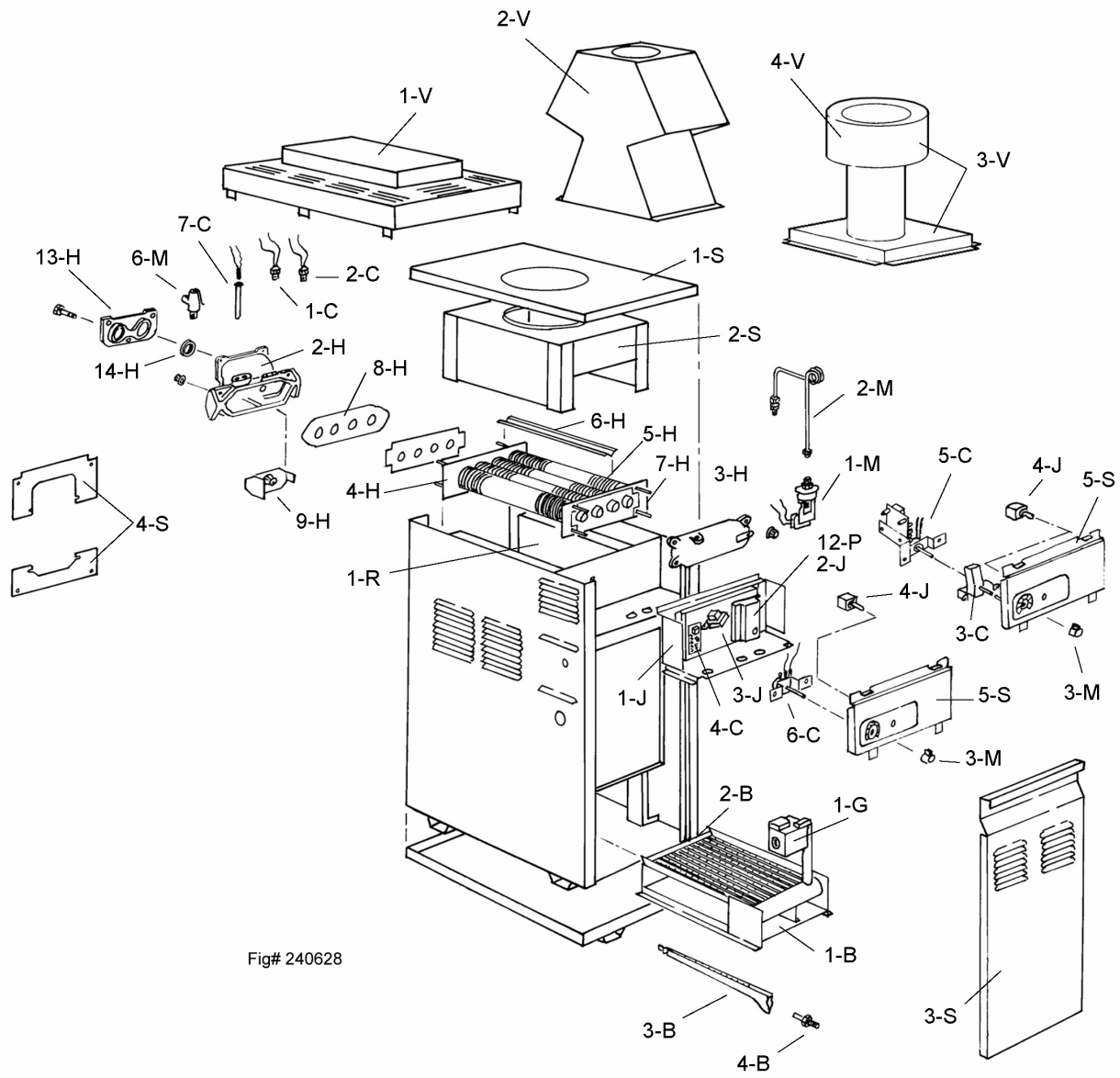
THE PARTS LISTED ARE FOR STANDARD EQUIPMENT FOR THIS MODEL TYPE. RAYPAK RESERVES THE RIGHT TO SUBSTITUTE, DELETE OR CHANGE ANY PART WITHOUT NOTIFICATION. THE ADDITION OF OPTIONS MAY ALSO CHANGE SOME OF THE PARTS. ORDER REPLACEMENT PARTS FROM ACTUAL HEATER COMPONENTS.



FOR DETAILED INSTRUCTIONS, SEE "HOW TO USE YOUR RAYPAK ILLUSTRATED PARTS LIST",
CATALOG NO. 9001.10



Raypak, Inc., 2151 Eastman Avenue, Oxnard, CA 93030
(805) 278-5300 Fax (800) 872-9725
Litho In U.S.A.



Fig# 240628

ROBERTSHAW MILLIVOLT

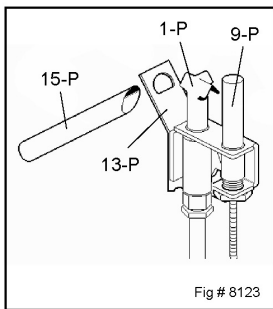


Fig # 8123

ROBERTSHAW IID

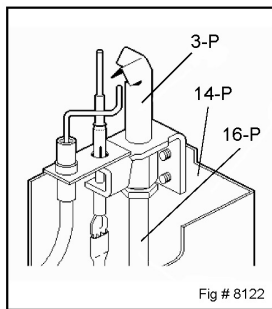


Fig # 8122

HONEYWELL MILLIVOLT

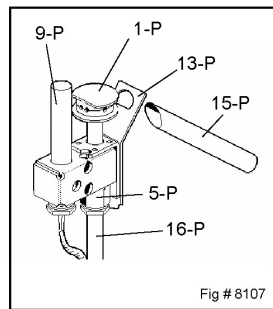


Fig # 8107

HONEYWELL IID

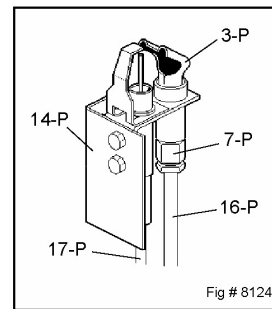


Fig # 8124

CALL OUT	DESCRIPTION	PREMIUM BRONZE	CAST IRON
B	BURNER TRAY*		
1-B	Burner Tray w/Burners (Sea Level)*	001989F	001989F
	Burner Tray w/o Burners (Sea Level)*	001990F	001990F
	Burner Tray w/Gas Valve NAT STG	004848F	004848F
	Burner Tray w/Gas Valve PRO STG	004850F	004850F
	Burner Tray w/Gas Valve NAT IID	004849F	004849F
	Burner Tray w/Gas Valve PRO IID	004851F	004851F
2-B	Burner Hold Down Kit	001991F	001991F
3-B	Burner	301210/10	301210/10
4-B	Burner Orifice Nat. #50 (Sea Level)*	350079F/10	350079F/10
	Burner Orifice Pro. #57 (Sea Level)*	350083F/10	350083F/10
C	CONTROLS		
1-C	High Limit 135 F	600892B	600892B
2-C	High Limit 140 F	600893B	600893B
3-C	Thermostat Control MV (Mechanical)	003346F	003346F
8-C	Thermostat Control MV (Solid State)	005391F	005391F
5-C	PC Board	005089B	005089B
6-C	Potentiometer	005087B	005087B
7-C	Temperature Sensor	005088B	005088B
9-C	Thermostat Control IID (Solid State)	005389F	005389F
4-C	PC Board	005086B	005086B
6-C	Potentiometer	005087B	005087B
7-C	Temperature Sensor	005088B	005088B
G	GAS VALVE		
1-G	Combination Valve Nat. MV	003898F	003898F
	Combination Valve Pro. MV	003899F	003899F
	Combination Valve Nat. IID	003900F	003900F
	Combination Valve Pro. IID	004306F	004306F
H	HEAT EXCHANGER		
1-H	Heat Exchange Assy. (Complete)	N/A	N/A
2-H	Inlet/Outlet Header	N/A	N/A
3-H	Return Header	N/A	N/A
4-H	Tube Bundle	002439F	002439F
5-H	Heat Exchange Tube**	002440F	002440F
6-H	Baffle Kit***	002000F	002000F
7-H	Bolt Kit	001056F	001056F
8-H	Header Gasket	800075B	800075B
9-H	Unitherm Governor	053242B	053242B
10-H	Drain Valve	500719	500719
11-H	Sensor Well	007211F	007211F
12-H	Well Retaining Clip	300203	300203
13-H	Inlet/Outlet Flange	002432F	002432F
14-H	Flange Gasket	800013B	800013B
J	J BOX/CONTROL BOX		
1-J	Control Box IID w/o Thermostat Nat.	003790F	003790F
	Control Box IID w/o Thermostat Pro.	004309F	004309F
2-J	Ignition Control IID Nat.	004817B	004817B
	Ignition Control IID Pro	004818B	004818B
3-J	Transformer 120/240/24V	006736F	006736F
4-J	Toggle Switch	650761	650761

*FOR ALTITUDES ABOVE 2,000 FEET ABOVE SEA LEVEL, CONSULT THE FACTORY.
REPLACEMENT BURNER TRAYS ARE BUILT FOR SEA LEVEL, NATURAL GAS APPLICATIONS UNLESS OTHERWISE INDICATED AT THE TIME THE ORDER IS PLACED.

**FOR HEATERS BUILT AFTER JAN. 90 USE KIT #001999F

***FOR HEATERS BUILT AFTER JAN. 90 USE KIT #001622F

CALL OUT	DESCRIPTION	PREMIUM BRONZE	CAST IRON
M	MISCELLANEOUS COMPONENTS		
1-M	Pressure Switch	062237B	062237B
2-M	Pressure Switch Tube Assy.	003271F	003271F
3-M	Thermostat Knob	006885F	006885F
4-M	Knob Stop	006886F	006886F
5-M	Dial Plate Std.	900741	900748
	Dial Plate IID	900742	900749
6-M	PRV-75 PSI	501507F	501507F
7-M	Deliming Kit	052871F	052871F
8-M	Wire Harness Std.	004012F	004012F
	Wire Harness IID	004013F	004013F
P	PILOT		
1-P	Pilot Nat. MV	600525B	600525B
	Pilot Pro. MV	600575B	600575B
3-P	Pilot Nat. IID	002003F	002003F
	Pilot Pro IID	002003F	002003F
5-P	Pilot Orifice Nat. MV	003901F	003901F
	Pilot Orifice Pro. MV	003902F	003902F
7-P	Pilot Orifice Nat. IID	003903F	003903F
	Pilot Orifice Pro IID	004308F	004308F
9-P	Pilot Generator MV	600019B	600019B
12-P	Ignition Control IID Nat.	004817B	004817B
	Ignition Control IID Pro	004818B	004818B
13-P	Pilot Mounting Bracket MV	006054F	006054F
14-P	Pilot Mounting Bracket IID	006055F	006055F
15-P	Lighter Tube (MV Units Only)	052797	052797
16-P	Pilot Tube	004078F	004078F
17-P	Hi Tension Wire IID	006088B	006088B
R	REFRACTORY		
1-R	Refractory Kit	000992F	000992F
2-R	Refractory Retainer Kit	002006F	002006F
S	SHEETMETAL		
1-S	Jacket Top	002007F	002007F
2-S	Flue Collector	002008F	002008F
3-S	Door Assy.	002010F	002010F
4-S	Access Panel Group	004890F	004890F
5-S	Control Panel Standing Pilot	003788F	003788F
	Control Panel IID Pilot	003789F	003789F
V	VENTING		
1-V	Stackless Top (Outdoor)	003710	003710
2-V	Drafthood (Indoor)	003723	003723
3-V	Outdoor Stack w/Adapter (Outdoor)	004301	004301
4-V	Outdoor Stack	951018	951018

CONVERSION KITS**	
GAS CONVERSIONS	
Nat. to Pro. Standing Pilot	004690B
Pro. to Nat. Standing Pilot	004691F
Nat. to Pro. Electronic Pilot	N/A
Pro. to Nat. Electronic Pilot	N/A

Gas Conve Gas Conversions are to be done only by a qualified agency.
For gas conversions, consult the factory.



www.raypak.com

Free Manuals Download Website

<http://myh66.com>

<http://usermanuals.us>

<http://www.somanuals.com>

<http://www.4manuals.cc>

<http://www.manual-lib.com>

<http://www.404manual.com>

<http://www.luxmanual.com>

<http://aubethermostatmanual.com>

Golf course search by state

<http://golfingnear.com>

Email search by domain

<http://emailbydomain.com>

Auto manuals search

<http://auto.somanuals.com>

TV manuals search

<http://tv.somanuals.com>