

Job: \_\_\_\_\_

Engineer: \_\_\_\_\_

Contractor: \_\_\_\_\_

Prepared By: \_\_\_\_\_ Date: \_\_\_\_\_

Model: \_\_\_\_\_ Indoor/Outdoor: \_\_\_\_\_ MBTUH Input: \_\_\_\_\_

# Hi Delta<sup>®</sup> - Type P

Commercial Pool Heaters  
Models 1802B-2342B

## Sealed Combustion Chamber

100% Factory Fire Tested

Efficiency: 85%

Minimum Non-condensing Inlet Temperature: 105 °F

Thermal Shock Proof Heat Exchanger

Limited Twenty-year Thermal Shock Warranty

Limited Five-year Heat Exchanger Warranty

Diagnostic Center with Fault History

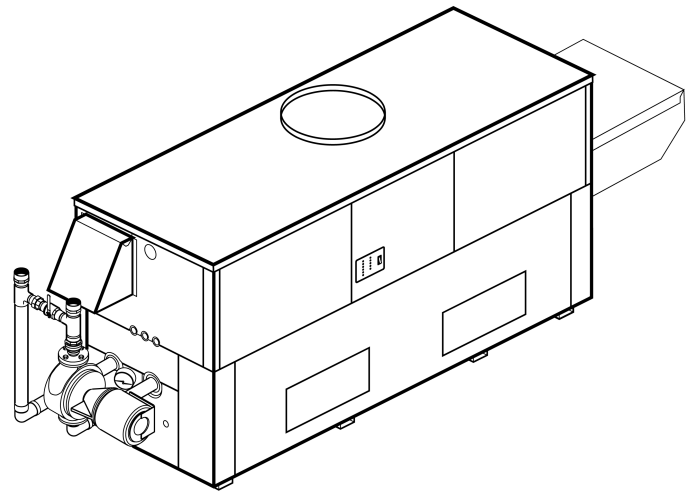
PolyTuf Powder Coated Cabinet

No Combustible Floor Shield Required

Fan-assisted

Non-ferrous Bypass

Patented Burner Security Blanket



## Heat Exchanger

- Bronze Headers
- ASME Inspected and Stamped  
160 PSIG Working Pressure
- National Board Approved
- Cupro Nickel Finned Tubing
- ASME Steel Tube Sheet
- Silicone High Temp O-Rings
- 125 PSIG ASME Pressure Relief Valve
- Temperature and Pressure Gauge
- Water Connections
  - Left – Standard
  - Right – Option A-6
- Bronze Pump, 120V, 60Hz
- Non-ferrous Pool Bypass

## Controls

- 120V, 60Hz, 1Ø Power Supply
- 120/24V 60Hz Transformer
- 100% Shut-off/Lockout
- Hot Surface Ignition Systems (2)
- Remote Flame Sensors (2)
- High Limit Control, Auto Reset
- On/Off Power Switch
- Manual Shut-off, Front-mounted
- Flow Switch
- Blocked Vent Pressure Switch
- Combustion Air Proving Switches
- Economaster Pump Time Delay
- Poolstat

## Gas Train

- Gas Pressure Regulators
- Safety Shut-off Valves
- Firing Control Valves
- On/Off Firing
- Low Gas Pressure Switch, Manual
- Fuel
  - Natural Gas
  - Propane Gas
- Design Certified ANSI Z21.56/  
CSA 4.7

## Burner

- Ultra-low NOx:  
Less than 30 PPM

## Construction

- Indoor/Outdoor Construction
- Enclosed Front Controls

## Venting

- Vent Location
  - Top – Standard
  - Rear – Option D-14
- Vent Termination Cap
  - Outdoor – Option D-11
  - Indoor, Horizontal –  
Option D-15
  - Indoor, Vertical (by others)
- Combustion Air
  - In-Line Filter Kit (TruSeal  
only) – Option D-17
  - Air Intake Elbow –  
Option D-16

## Options

- C-6 Ignition Module, Manual Reset
- D-21 TruSeal™ Direct Vent
  - Right Side
  - Left Side (Model 1802B  
Only)
- F-10 Low Water Cut-off, Remote  
Probe
- S-2 Dual High Gas Pressure  
Switches, Manual Reset
- X-1 SureRack Kit, Zone III and IV
- X-2 SureRack Add-on, Zone IV
- Y-241 Temperature Controller,  
1-4 Stages

## Regulatory Agency Requirements

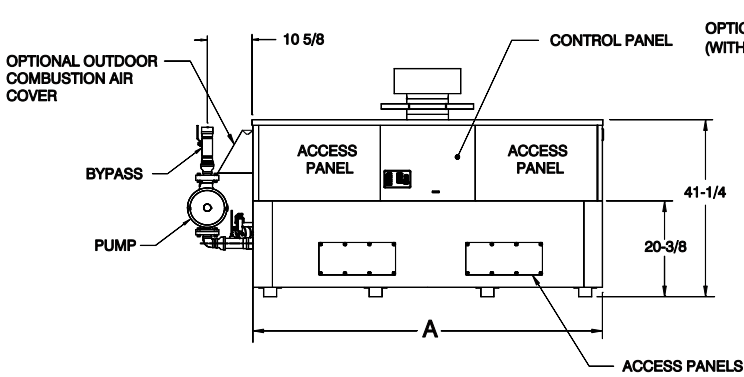
- G-1 CSD-1



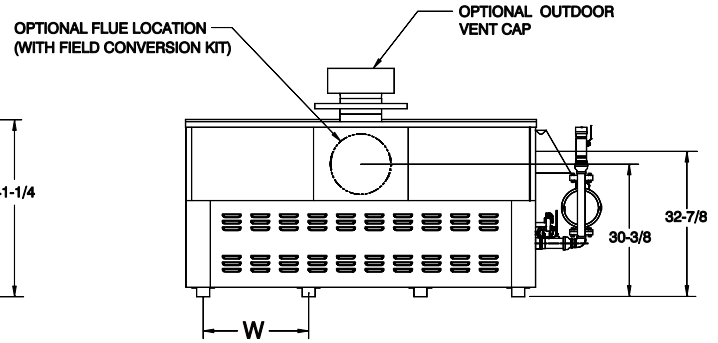
**Raypak**<sup>®</sup>  
A Rheem<sup>®</sup> Company

# Hi Delta – Type P Models 1802B-2342B

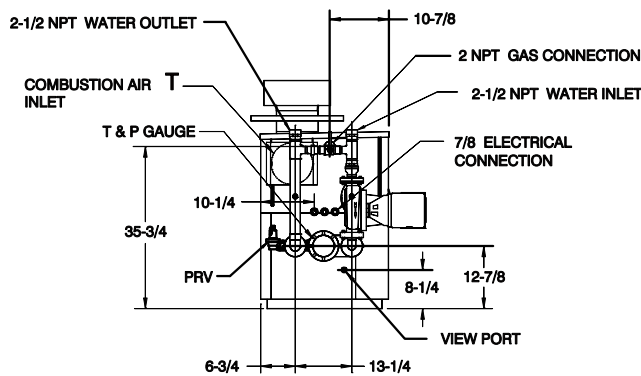
Model \_\_\_\_\_



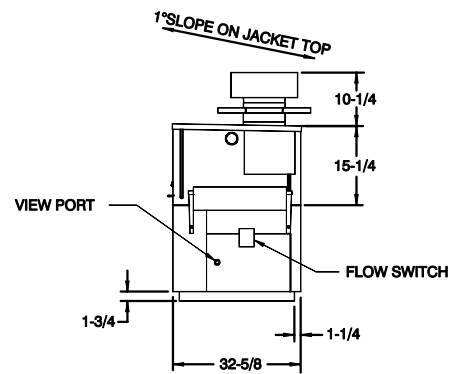
FRONT VIEW



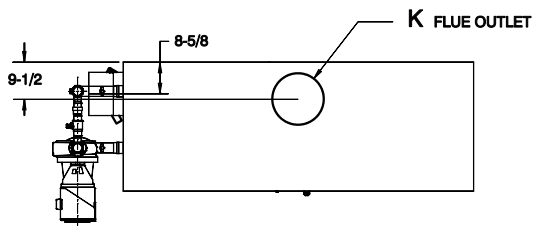
BACK VIEW



LEFT SIDE



RIGHT SIDE  
RATE OF FLOW AND PRESSURE DROP



TOP VIEW

Model	Max. Flow			Min. Flow		
	GPM	ΔP (ft)	ΔT	GPM	ΔP (ft)	ΔT
1802B	132	18.7	23	102	11.2	30
2002B	132	19.2	26	113	14.0	30
2072B	132	19.2	27	117	15.1	30
2342B	132	21.0	30	132	21.0	30

Model	MBTUH		A Width	K	T	W	Amp Draw		Pump HP	Shipping Weight (Lbs.)
	Input	Output					Heater w/ Pump	Pump		
1802B	1800	1530	91-1/8	14	10	28-1/8	21	12	3/4	1350
2002B	1999	1699	102-1/2	14	10	31-15/16	24	12	1	1450
2072B	2070	1760	102-1/2	14	10	31-15/16	24	12	1	1450
2342B	2340	1989	113-7/8	16	10	35-11/16	24	12	1-1/2	1520

Dimensions are in inches.  
Ratings shown are for elevations up to 5,000 feet and for natural or propane gas.  
For installation at elevations over 5,000 feet, please contact manufacturer.

Raypak, Inc. ■ 2151 Eastman Avenue, Oxnard, CA 93030 ■ (805) 278-5300 ■ Fax (800) 872-9725 ■ www.raypak.com

## Free Manuals Download Website

<http://myh66.com>

<http://usermanuals.us>

<http://www.somanuals.com>

<http://www.4manuals.cc>

<http://www.manual-lib.com>

<http://www.404manual.com>

<http://www.luxmanual.com>

<http://aubethermostatmanual.com>

Golf course search by state

<http://golfingnear.com>

Email search by domain

<http://emailbydomain.com>

Auto manuals search

<http://auto.somanuals.com>

TV manuals search

<http://tv.somanuals.com>