

**POOL**  
**MODELS: 183A THRU 403A**

CATALOG NO. 9100.501  
Effective: 12-08-08  
Replaces: 02-05-07

## **RAYPAK ILLUSTRATED PARTS LIST**

**MODEL SIZES: 183A, 263A, 333A AND 403A**

**MODEL TYPES: WHG GEMINI AND SPA-PAK**

DATE OF MANUFACTURE: 01-01-84 TO 11-01-86

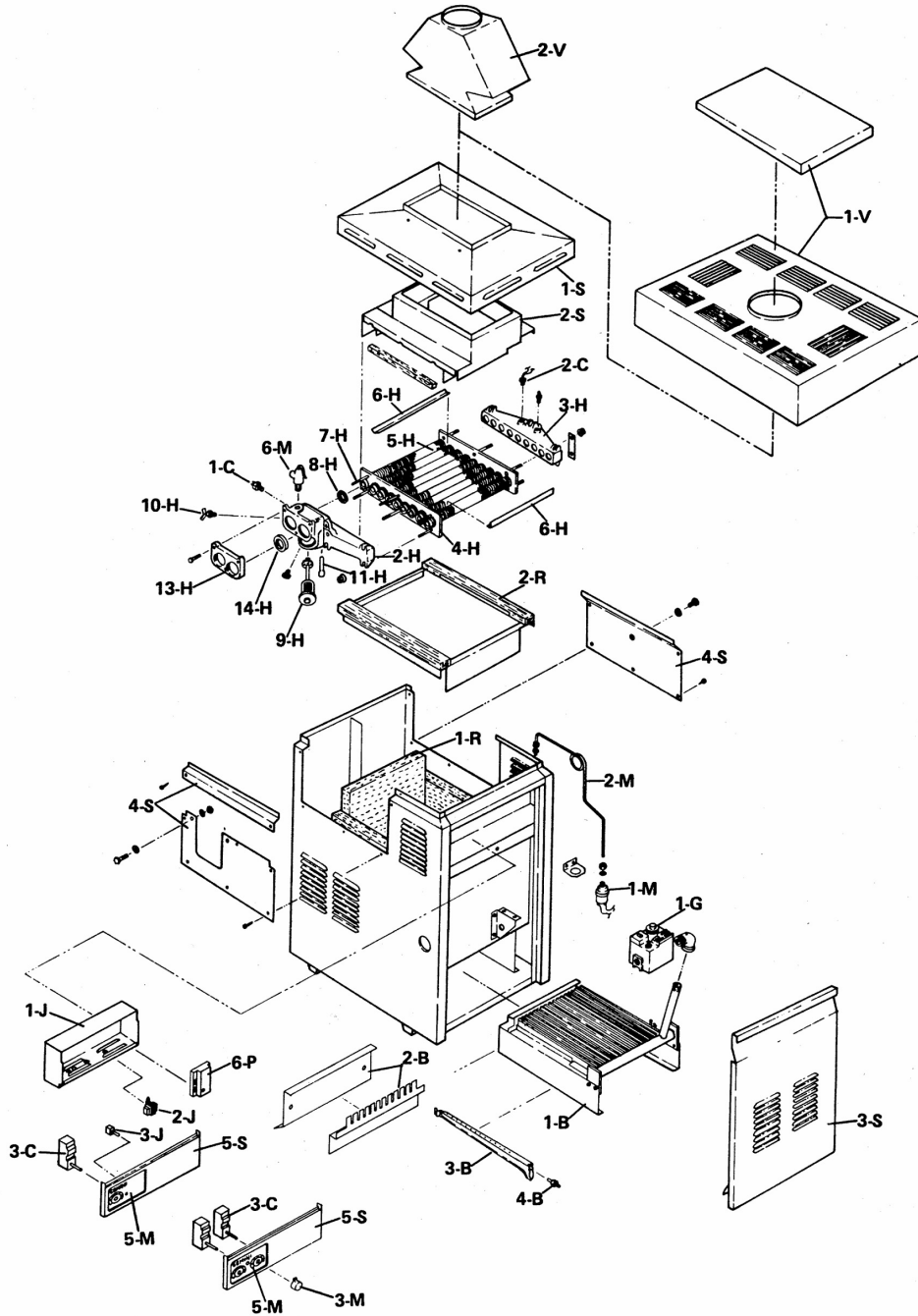
THE PARTS LISTED ARE FOR STANDARD EQUIPMENT FOR THIS MODEL TYPE. RAYPAK RESERVES THE RIGHT TO SUBSTITUTE, DELETE OR CHANGE ANY PART WITHOUT NOTIFICATION. THE ADDITION OF OPTIONS MAY ALSO CHANGE SOME OF THE PARTS. ORDER REPLACEMENT PARTS FROM ACTUAL HEATER COMPONENTS.



FOR DETAILED INSTRUCTIONS, SEE "HOW TO USE YOUR RAYPAK ILLUSTRATED PARTS LIST",  
CATALOG NO. 9001.10



Raypak, Inc., 2151 Eastman Avenue, Oxnard, CA 93030  
(805) 278-5300 Fax (800) 872-9725  
Litho In U.S.A.



HONEYWELL STANDING PILOT

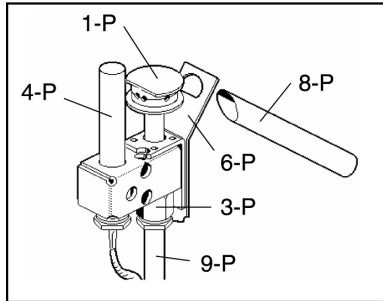


FIG #8107

HONEYWELL IID PILOT

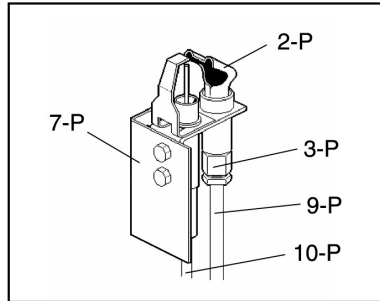


FIG #8124

CALL OUT	DESCRIPTION	183A	263A	333A	403A
<b>B</b>	<b>BURNER TRAY**</b>				
1-B	Burner Tray w/Burners (Sea Level)*	N/A	N/A	N/A	N/A
	Burner Tray w/o Burners (Sea Level)*	N/A	N/A	N/A	N/A
2-B	Burner Spacer/Hold Down Brkt. kit	N/A	N/A	N/A	N/A
3-B	Burner	301210/10	301210/17	301210/21	301210/26
4-B	Burner Orifice Nat. #51 (Sea Level)*	350080F/12	350080F/17	350080F/21	350080F/26
	Burner Orifice Pro. #57 (Sea Level)*	350083F/12	350083F/17	350083F/21	350083F/26
<b>C</b>	<b>CONTROLS</b>				
1-C	High Limit 135 F	600892B	600892B	600892B	600892B
2-C	High Limit 140 F	600893B	600893B	600893B	600893B
3-C	Thermostat Control	003346F	003346F	003346F	003346F
<b>G</b>	<b>GAS VALVES</b>				
1-G	Combination Valve Nat.	003898F	003898F	003898F	003898F
	Combination Valve Pro.	003899F	003899F	003899F	003899F
	Combination Valve Nat. IID	003900F	003900F	003900F	003900F
<b>H</b>	<b>HEAT EXCHANGER</b>				
1-H	Heat Exchanger Assy CI (Complete)	002443F	002444F	002445F	002446F
	Heat Exchanger Assy Brass (Complete)		N/A	N/A	N/A
2-H	Inlet/Outlet Header Cast Iron	002433F	002433F	002433F	002433F
	Inlet/Outlet Header Brass		N/A	N/A	N/A
3-H	Return Header Cast Iron	002450F	002450F	002450F	002450F
	Return Header Brass		002451F	002451F	002451F
4-H	Tube Bundle	004671F	004672F	004673F	004674F
5-H	Heat Exchange Tube	002456F	002457F	002458F	002459F
6-H	Baffle Kit	001299F	001300F	001301F	001302F
7-H	Bolt Kit	001303F	001303F	001303F	001303F
8-H	Header Gasket	800014B	800014B	800014B	800014B
9-H	Unitherm Governor	051492B	051492B	051492B	051492B
10-H	Drain Valve	500719	500719	500719	500719
11-H	Sensor Well	007211F	007211F	007211F	007211F
12-H	Well Retaining Clip	300203	300203	300203	300203
13-H	Inlet/Outlet Flange	002432F	002432F	002432F	002432F
14-H	Flange Gasket	800013B	800013B	800013B	800013B
<b>J</b>	<b>J BOX/CONTROL BOX</b>				
1-J	Control Box (IID Units)	N/A	N/A	N/A	N/A
2-J	Transformer 120/240/24V	006736F	006736F	006736F	006736F
3-J	Toggle Switch (Single Thermostat)	650761	650761	650761	650761
	Toggle Switch (Dual Thermostat)	650553F	650553F	650553F	650553F
<b>M</b>	<b>MISCELLANEOUS</b>				
1-M	Pressure Switch	062237B	062237B	062237B	062237B
2-M	Pressure Switch Tube Assy.	003272F	003272F	003272F	003272F
3-M	Thermostat Knob	006885F	006885F	006885F	006885F
4-M	Knob Stop	006886F	006886F	006886F	006886F
5-M	Dial Plate	N/A	N/A	N/A	N/A
6-M	PRV I25 PSI	008091F	011912F	011912F	011912F
7-M	Deliming Kit	052871F	052871F	052871F	052871F

\*FOR ALTITUDES ABOVE 2,000 FEET ABOVE SEA LEVEL, CONSULT THE FACTORY.

\*\*REPLACEMENT BURNER TRAYS ARE BUILT FOR SEA LEVEL, NATURAL GAS APPLICATIONS UNLESS OTHERWISE SPECIFIED AT THE TIME THE ORDER IS PLACED.

CALL OUT	DESCRIPTION	183A	263A	333A	403A
<b>P</b>	<b>PILOT</b>				
1-P	Pilot Nat. Standing	600525B	600525B	600525B	600525B
	Pilot Pro. Standing	600575B	600575B	600575B	600575B
2-P	Pilot Nat. IID	002003F	002003F	002003F	002003F
3-P	Pilot Orifice Nat. Standing	003901F	003901F	003901F	003901F
	Pilot Orifice Pro. Standing	003902F	003902F	003902F	003902F
4-P	Pilot Orifice Nat. IID	003903F	003903F	003903F	003903F
5-P	Pilot Generator (Standing Pilot Only)	600019B	600019B	600019B	600019B
6-P	Ignition Control IID	004817B	004817B	004817B	004817B
7-P	Pilot Mounting Bracket Standing.	305161F	305161F	305161F	305161F
8-P	Pilot Mounting Bracket IID	305160F	305160F	305160F	305160F
9-P	Lighter Tube (Standing Pilot Only)	052797	052797	052797	052797
10-P	Pilot Tube	400275	400275	400275	400275
11-P	Hi Tension Wire	002654B	002654B	002654B	002654B
<b>R</b>	<b>REFRACTORY</b>				
1-R	Refractory Kit	001295F	001296F	001297F	001298F
2-R	Refractory Retainer Kit	001304F	001305F	001306F	001307F
<b>S</b>	<b>SHEET METAL</b>				
1-S	Jacket Top	N/A	N/A	N/A	N/A
2-S	Flue Collector	N/A	N/A	N/A	N/A
3-S	Door Assy.	N/A	N/A	N/A	N/A
4-S	Access Panel Group	N/A	N/A	N/A	N/A
5-S	Control Panel	N/A	N/A	N/A	N/A
<b>V</b>	<b>VENTING</b>				
1-V	Stackless Top Kit (Outdoor)	003711	003712	003713	003714
2-V	Draft Hood Kit (Indoor)	003724F	003725F	003726	003727

<b>CONVERSION KITS**</b>					
	Nat. to Pro. Standing Pilot	004690B	004690B	004692B	004692B
	Pro. to Nat. Standing Pilot	004691F	004691F	004693F	004693F
	Nat. to Pro. Electric Pilot	N/A	N/A	N/A	N/A

\*\*Gas conversions are to be done by a qualified agency.  
For gas conversions, consult the factory.



**www.raypak.com**

## Free Manuals Download Website

<http://myh66.com>

<http://usermanuals.us>

<http://www.somanuals.com>

<http://www.4manuals.cc>

<http://www.manual-lib.com>

<http://www.404manual.com>

<http://www.luxmanual.com>

<http://aubethermostatmanual.com>

Golf course search by state

<http://golfingnear.com>

Email search by domain

<http://emailbydomain.com>

Auto manuals search

<http://auto.somanuals.com>

TV manuals search

<http://tv.somanuals.com>