

Job: _____

Engineer: _____

Contractor: _____

Prepared By: _____ Date: _____

Model: _____ Indoor/Outdoor: _____ MBTUH Input: _____

Hi Delta[®] - Type P

Commercial Pool Heaters
Models 302B & 402B

Sealed Combustion Chamber

100% Factory Fire Tested

Efficiency: 85%

Minimum Non-condensing Inlet Temperature: 105°F

Thermal Shock Proof Heat Exchanger

Limited Twenty-year Thermal Shock Warranty

Limited Five-year Heat Exchanger Warranty

Diagnostic Center with Fault History

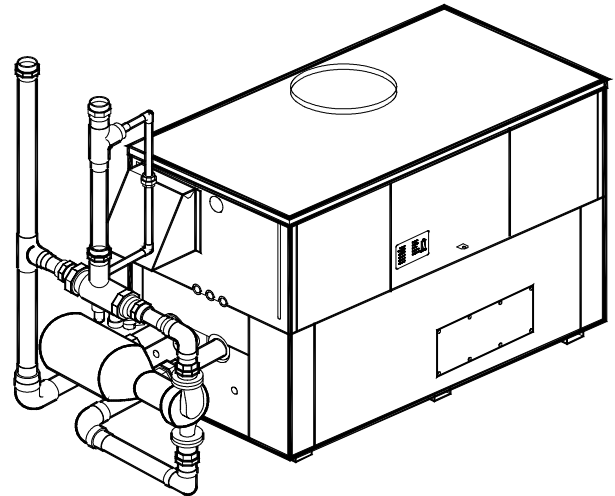
PolyTuf Powder Coated Cabinet

No Combustible Floor Shield Required

Fan-assisted

Non-ferrous Bypass

Patented Burner Security Blanket



Heat Exchanger

- Bronze Headers
- ASME Inspected and Stamped
160 PSIG Working Pressure
- National Board Approved
- Cupro Nickel Finned Tubing
- ASME Steel Tube Sheet
- Silicone High Temp O-Rings
- 125 PSIG ASME Pressure Relief Valve
- Temperature and Pressure Gauge
- Water Connections
 - Left – Standard
 - Right – Option A-6
- Bronze Pump, 1/3 HP, 120V, 60Hz
- Non-Ferrous Pool Bypass Assembly with Automatic Control

Controls

- 120V, 60Hz, 1Ø Power Supply
- 120/24V 60Hz Transformer
- 100% Shut-off/Lockout
- Hot Surface Ignition
- Remote Flame Sensor
- High Limit Control, Auto Reset
- On/Off Power Switch
- Manual Shut-off, Front-mounted
- Flow Switch
- Blocked Vent Pressure Switch
- Combustion Air Proving Switch
- Economaster Pump Time Delay
- Poolstat

Gas Train

- Gas Pressure Regulator
- Safety Shut-off Valve
- Firing Control Valve
- On/Off Firing
- Fuel
 - Natural Gas
 - Propane Gas
- Design Certified ANSI Z21.56/
CSA 4.7

Burner

- Ultra-low NOx:
Less Than 30 PPM

Construction

- Indoor/Outdoor Construction
- Enclosed Front Controls

Venting

- Vent Location
 - Top – Standard
 - Rear – Option D-14
- Vent Termination Cap
 - Outdoor – Option D-11
 - Indoor, Horizontal –
Option D-15
 - Indoor, Vertical (by others)
- Combustion Air
 - In-Line Filter Kit (TruSeal
only) – Option D-17
 - Air Intake Elbow –
Option D-16

Options

- C-6 Ignition Module, Manual Reset
- D-21 TruSeal™ Direct Vent
- F-10 Low Water Cut-Off, Remote
Probe
- I-1 High Limit Control, Auto Reset
- S-1 Low Gas Pressure Switch,
Manual
- S-2 High Gas Pressure Switch,
Manual
- X-1 SureRack™ Kit
- X-2 SureRack Add-on

Regulatory Agency Requirements

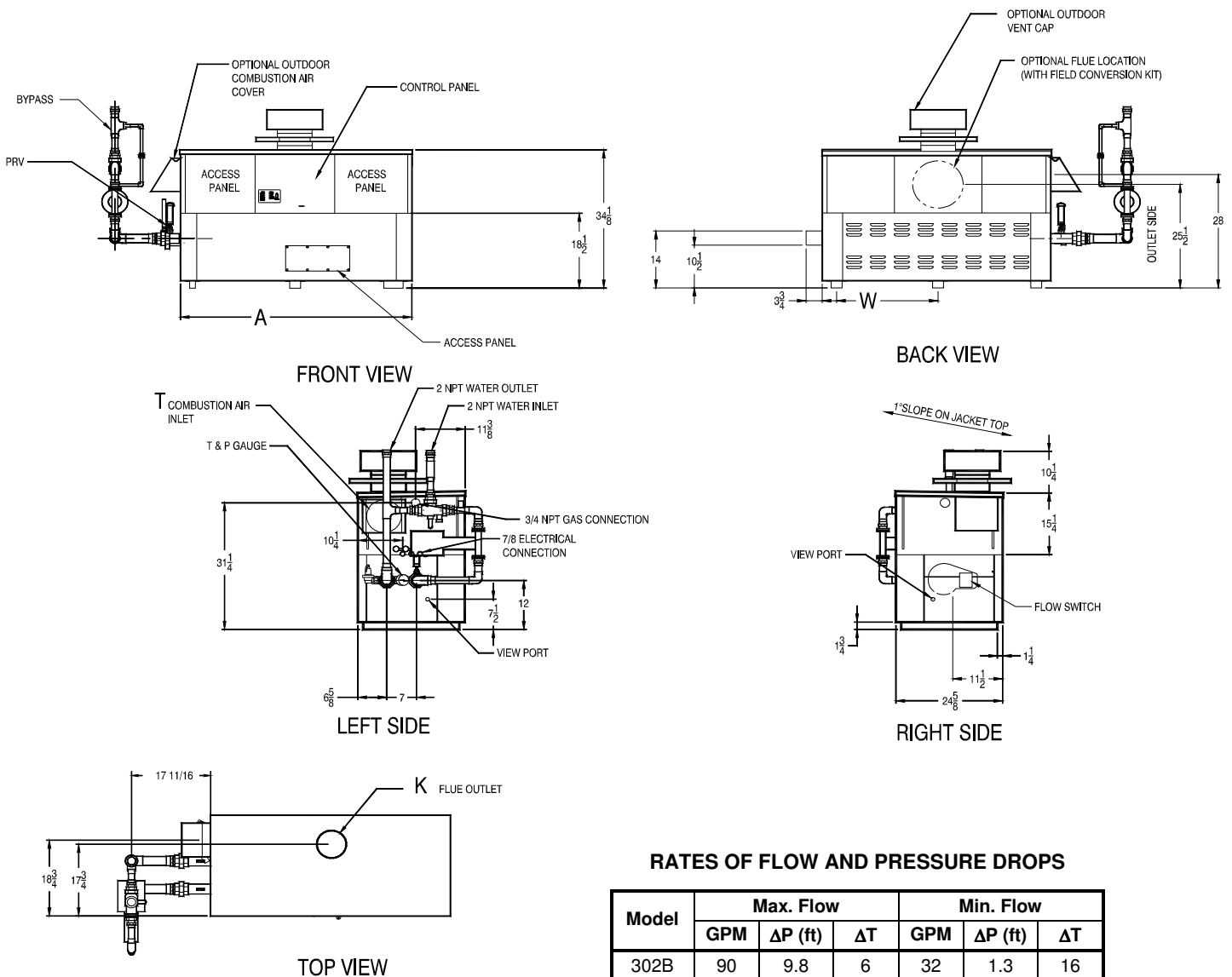
- G-1 CSD-1



Raypak[®]
A Rheem Company

Hi Delta – Type P Models 302B & 402B

Model _____



RATES OF FLOW AND PRESSURE DROPS

Model	Max. Flow			Min. Flow		
	GPM	ΔP (ft)	ΔT	GPM	ΔP (ft)	ΔT
302B	90	9.8	6	32	1.3	16
402B	90	10.0	8	32	1.35	21

Model	MBTUH		A Width	K	T	W	Amp Draw (w/ Pump)	Operating Weight (Lbs.)
	Input	Output						
302B	300	255	36	5	6	18	21.1	425
402B	399	339	43	6	6	18-1/2	21.1	500

NOTES: Dimensions are in inches.
Ratings shown are for elevations up to 5,000 feet and for natural or propane gas.
For installation at elevations over 5,000 feet, please contact manufacturer.

Free Manuals Download Website

<http://myh66.com>

<http://usermanuals.us>

<http://www.somanuals.com>

<http://www.4manuals.cc>

<http://www.manual-lib.com>

<http://www.404manual.com>

<http://www.luxmanual.com>

<http://aubethermostatmanual.com>

Golf course search by state

<http://golfingnear.com>

Email search by domain

<http://emailbydomain.com>

Auto manuals search

<http://auto.somanuals.com>

TV manuals search

<http://tv.somanuals.com>