

**COMMERCIAL and POOL
MODELS: 302B THROUGH 902B**

CATALOG NO. 9300.752
Effective: 08-19-08
Replaces: 06-25-08

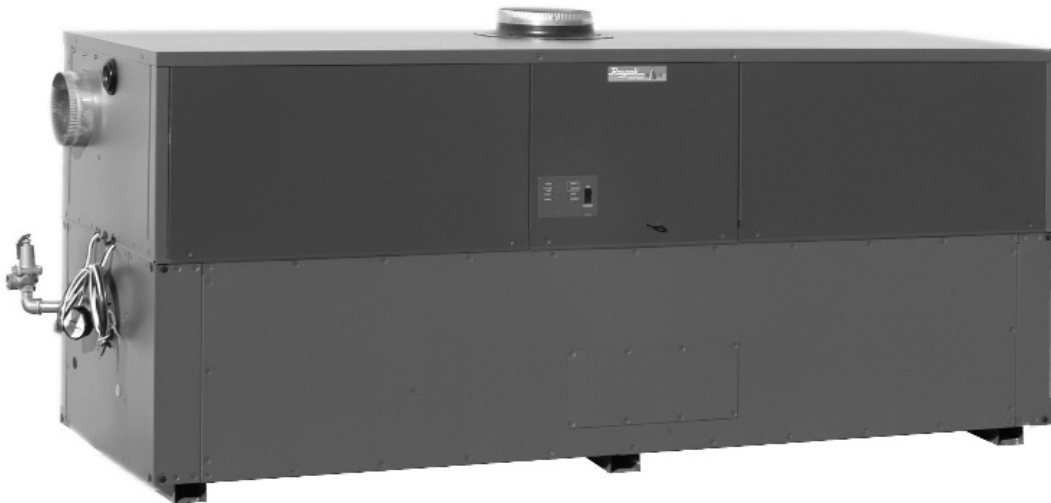
RAYPAK REPLACEMENT PARTS

MODEL SIZES: 302B, 402B, 502B, 652B, 752B & 902B

MODEL TYPES: HI DELTA H, W, WH & P

DATES OF MANUFACTURE: 01-01-07 THROUGH CURRENT

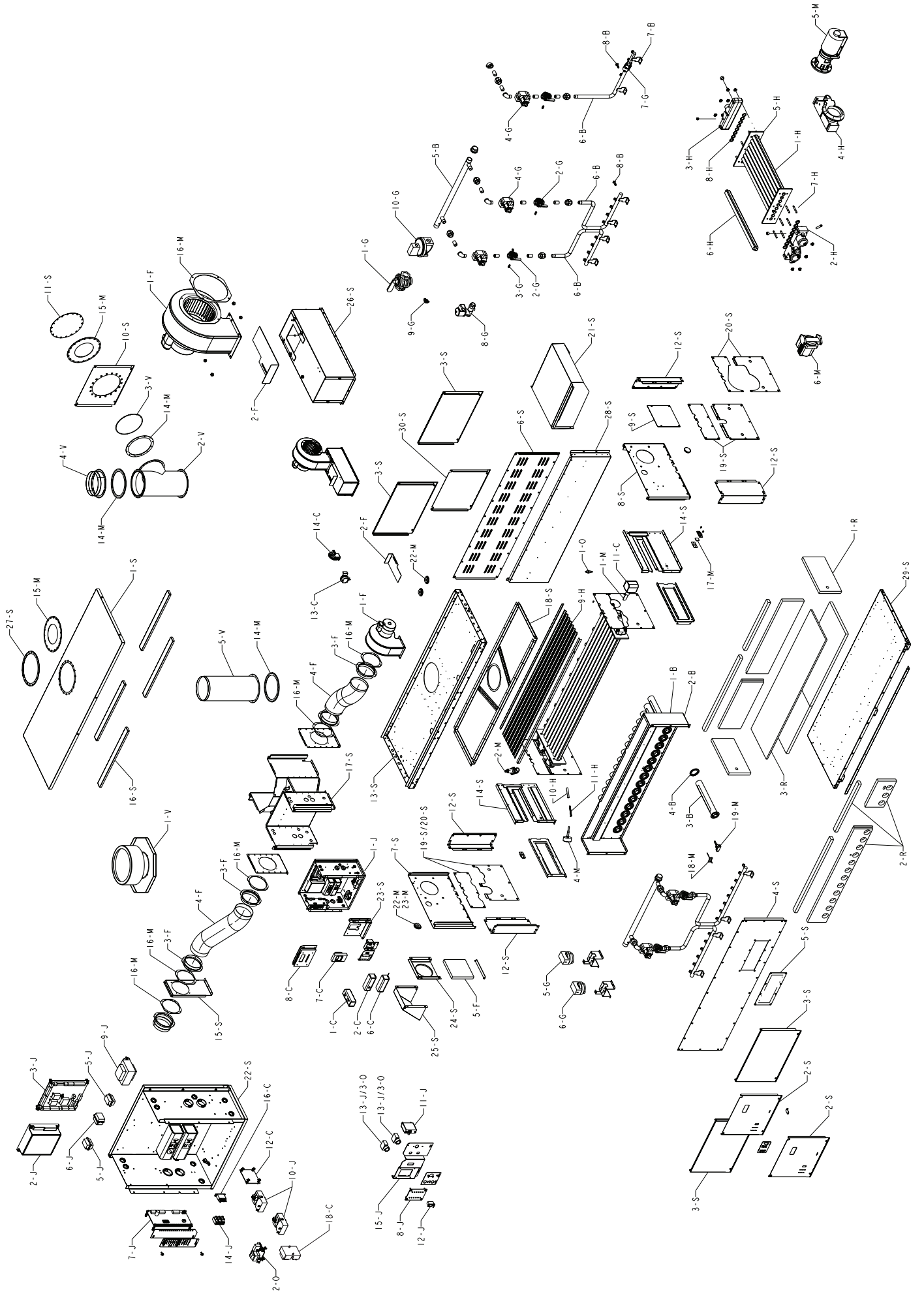
THE PARTS LISTED ARE FOR STANDARD EQUIPMENT FOR THIS MODEL TYPE. RAYPAK RESERVES THE RIGHT TO SUBSTITUTE, DELETE OR CHANGE ANY PART WITHOUT NOTIFICATION. THE ADDITION OF OPTIONS MAY ALSO CHANGE SOME OF THE PARTS. ORDER REPLACEMENT PARTS FROM ACTUAL HEATER COMPONENTS.

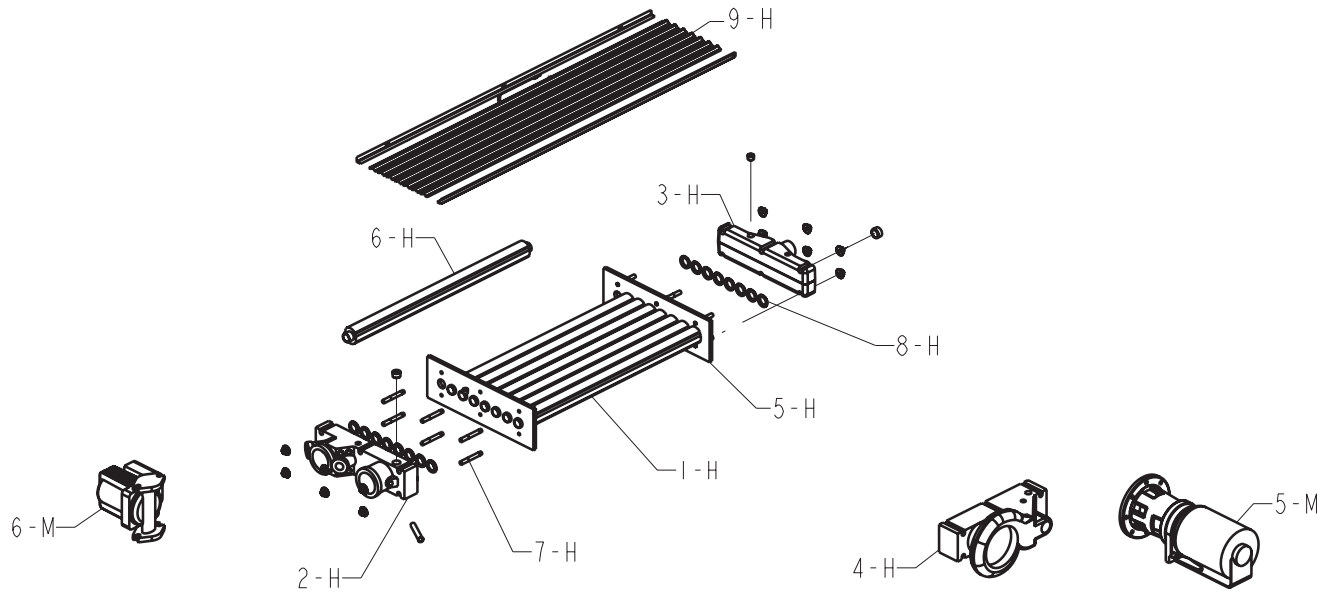


FOR DETAILED INSTRUCTIONS, SEE "HOW TO USE YOUR RAYPAK ILLUSTRATED PARTS LIST",
CATALOG NO. 9001.10

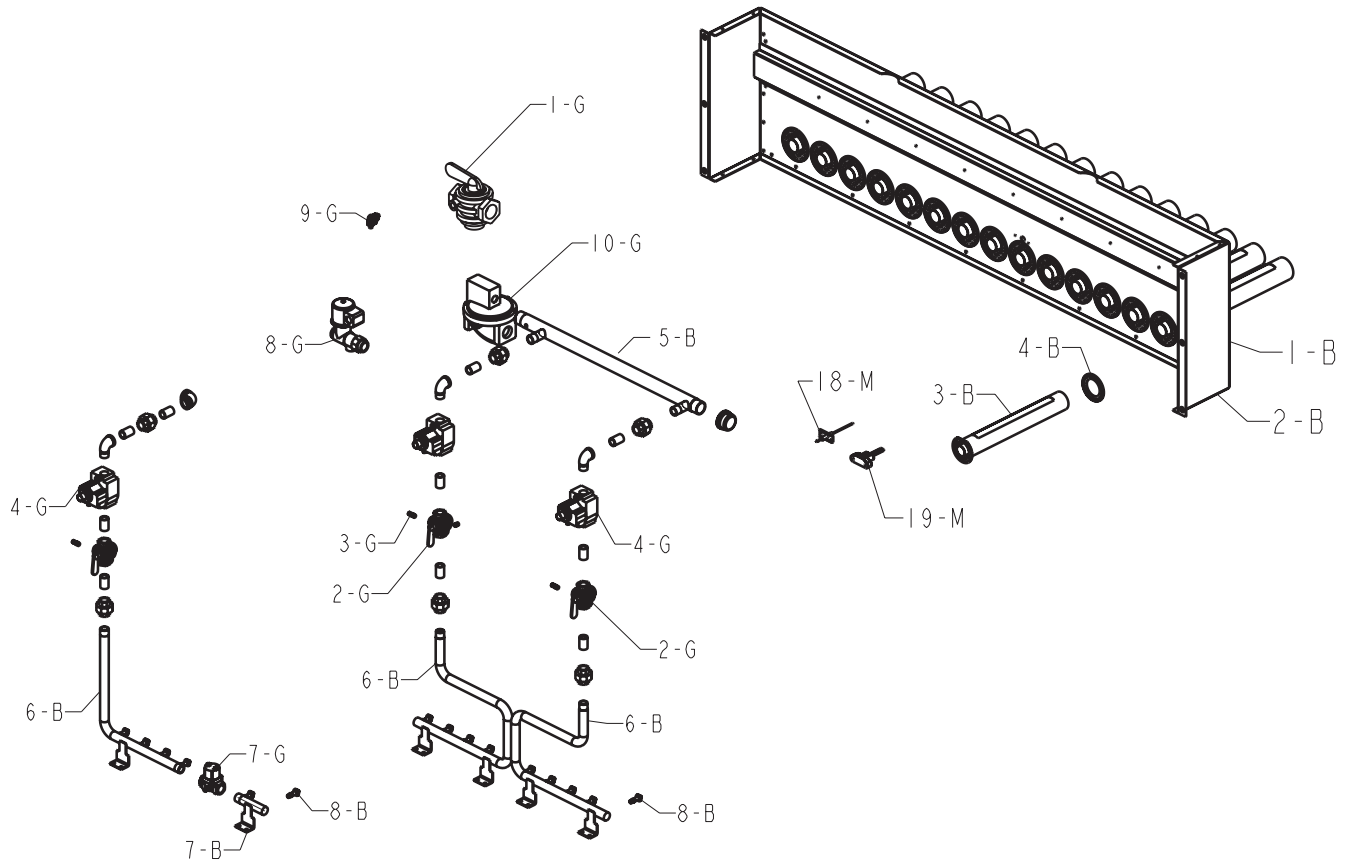


Raypak, Inc., 2151 Eastman Avenue, Oxnard, CA 93030
(805) 278-5300 Fax (800) 872-9725
Litho In U.S.A.

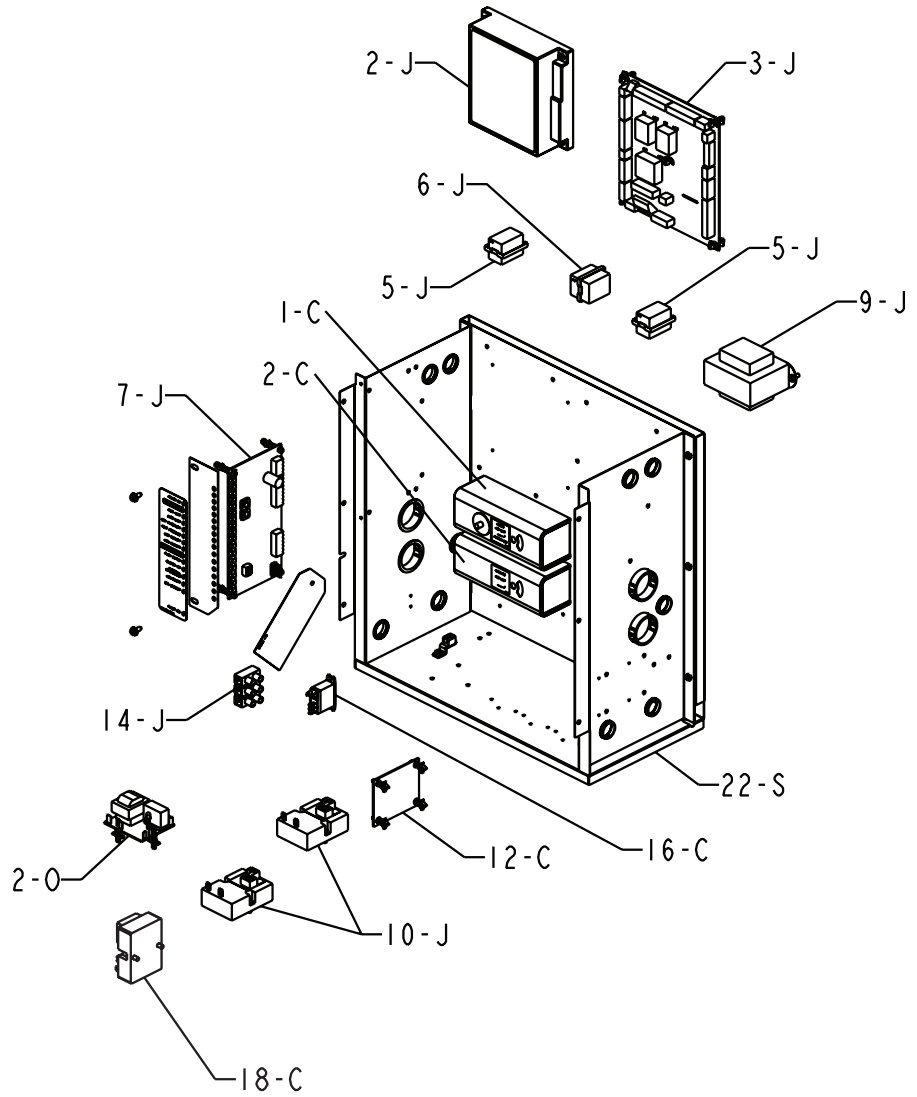




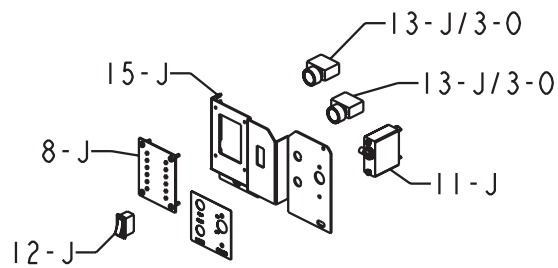
HEAT EXCHANGER DETAIL



BURNER ASSEMBLY DETAIL



CONTROL BOX DETAIL



FRONT SWITCH DETAIL

CALL OUT	DESCRIPTION	302B	402B	502B	652B	752B	902B
B BURNER ASSEMBLY							
1-B	Burner Assy w/Burners	009717F	009718F	009719F	009720F	009721F	009722F
2-B	Burner Mounting Assy	009723F	009724F	009725F	009726F	009727F	009728F
3-B	Burner	007442F	007442F	007442F	007442F	007442F	007442F
4-B	Seal Gasket	007443F	007443F	007443F	007443F	007443F	007443F
5-B	Manifold Upper	N/A	N/A	007444F	007444F	007444F	007445F
6-B	Manifold Lower	007446F	007447F	007448F	007449F	007450F	007451F
7-B	Manifold Lower Split	008920F	008917F	N/A	N/A	N/A	N/A
8-B	Burner Orifice Natural 1.9 mm	351414 / 6	351414 / 8	351414 / 10	351414 / 13	351414 / 15	351414 / 18
	Burner Orifice Natural #44 (Low Gas Press.)	351640/6	351640/8	351640/10	351640/13	351640/15	351640/18
	Burner Orifice Propane # 57	351442 / 6	351442 / 8	351442 / 10	351442 / 13	351442 / 15	351442 / 18
C CONTROLS							
1-C	Manual Reset Adjustable High Limit 240°F Max	007144F	007144F	007144F	007144F	007144F	007144F
	Manual Reset Adjustable High Limit 200°F Max	008081F	008081F	008081F	008081F	008081F	008081F
	Manual Reset Adjustable High Limit 180°F Max	009554F	009554F	009554F	009554F	009554F	009554F
2-C	Auto Reset Adjustable High Limit 240°F Max	007141F	007141F	007141F	007141F	007141F	007141F
	Auto Reset Adjustable High Limit 180°F Max	006445F	006445F	006445F	006445F	006445F	006445F
	Auto Reset Adjustable High Limit 200°F Max	012546F	012546F	012546F	012546F	012546F	012546F
5-C	Remote Aquastat (Tankstat) (B-2)	007148F	007148F	007148F	007148F	007148F	007148F
	Remote Aquastat (Tankstat) 2-Stage (B-3)	007392F	007392F	007392F	007392F	007392F	007392F
	Remote Aquastat (Tankstat) 2-Stage (B-9)	007392F	007392F	007392F	007392F	007392F	007392F
6-C	Controller 2-Stage (B-4)	007393F	007393F	007393F	007393F	007393F	007393F
	Controller 2-Stage (B-6)	007392F	007392F	007392F	007392F	007392F	007392F
	Controller On/Off (B-20)	006445F	006445F	006445F	006445F	006445F	006445F
7-C	Controller On/Off (B-28) Digital Tekmar	009729F	009729F	009729F	009729F	009729F	009729F
	Controller 2-Stage (B-26 / 27) Digital Raypak	009861F	009861F	009861F	009861F	009861F	009861F
	Controller 4-Stage (B-21 / 23) Digital Raypak	009862F	009862F	009862F	009862F	009862F	009862F
15-C	Sensor Outdoor Air Raypak	010786F	010786F	010786F	010786F	010786F	010786F
16-C	Sensor Water Raypak	010787F	010787F	010787F	010787F	010787F	010787F
8-C	Controller RayTemp/4-Stage (B-25)	010252F	010252F	010252F	010252F	010252F	010252F
	Controller RayTemp/2-Stage (B-24)	012368F	012368F	012368F	012368F	012368F	012368F
9-C	Sensor Return Temperature RayTemp	009506F	009506F	009506F	009506F	009506F	009506F
17-C	Sensor Outdoor Air RayTemp	010788F	010788F	010788F	010788F	010788F	010788F
10-C	Temp Controller Pool (not shown)	003346F	003346F	003346F	003346F	003346F	003346F
11-C	Flow Switch	007142F	007142F	007142F	007142F	007142F	007142F
12-C	Economaster P. C. Board ADJ 3 to 10 MIN	004675F	004675F	004675F	004675F	004675F	004675F
18-C	Pump Delay 5 or 10 MIN	012551F	012551F	012551F	012551F	012551F	012551F
13-C	Switch Air Pressure (Vent)	007158F	007158F	007158F	007158F	007158F	007158F
14-C	Switch Air Pressure Differential (Blower)	008171F	008171F	008171F	008171F	008171F	008171F
16-C	Relay 24 VAC (Auto Reset Hi Limit100-240F)	009039F	009039F	009039F	009039F	009039F	009039F
F FAN							
1-F	Blower Combustion Air	007413F	007413F	007414F	007414F	007414F	007414F
2-F	Air Shutter	009618F	009618F	009618F	009618F	009618F	009618F
3-F	Intake Flange (TruSeal)	009697F	009697F	011746F	009697F	009697F	009697F
4-F	Hose Duct 4"	N/A	N/A	007417F	N/A	N/A	N/A
	Hose Duct 6"	007420F	007420F	007420F	007420F	007420F	007420F
5-F	Filter Media 8 x 8	009730F	009730F	009730F	009730F	009730F	009730F
G GAS VALVES							
1-G	Main Valve Gas Manual A 1-1/4" (IRI)	N/A	N/A	007190F	007190F	007190F	007190F
2-G	Valve Gas Manual A 3/4"	007421F	007421F	007421F	007421F	007421F	007421F
3-G	Bleedle Valve 1/4"	007422F	007422F	007422F	007422F	007422F	007422F
	Bleedle Valve 1/8"	007423F	007423F	007423F	007423F	007423F	007423F
4-G	Combination Gas Valve On/Off Nat 3/4"	007424F	007424F	007424F	007424F	007424F	007424F
	Combination Gas Valve On/Off Pro 3/4"	007425F	007425F	007425F	007425F	007425F	007425F
	Combination Gas Valve On/Off Nat 3/4" (Low Gas Press.)	N/A	007666F	N/A	007666F	007666F	N/A
5-G	Switch Low Gas Pressure w/o Bracket (optional)	007187F	007187F	007187F	007187F	007187F	007187F
6-G	Switch High Gas Pressure w/o Bracket (optional)	007188F	007188F	007188F	007188F	007188F	007188F
7-G	Solenoid Gas Valve	008407F	008407F	N/A	N/A	N/A	N/A
8-G	Vent Valve (IRI)	N/A	N/A	011913F	011913F	011913F	011913F
9-G	Valve Gas Manual B (IRI)	N/A	N/A	007195F	007195F	007195F	007195F
10-G	Valve On/Off (IRI)	N/A	N/A	004094F	004094F	004094F	004094F
H HEAT EXCHANGER							
1-H	Heat Exch Assy Cast Iron	007452F	007453F	007454F	007455F	007456F	007457F
	Heat Exch Assy Brass	007458F	007459F	007460F	007461F	007462F	007463F
	Heat Exch Assy Cast Iron w/Pump Hdr	008852F	008853F	007466F	007467F	007468F	007469F
	Heat Exch Assy Brass w/Pump Hdr	008854F	007471F	007472F	007473F	007474F	007475F
	Heat Exch Assy Cast Iron Cupro Nickel	007476F	007477F	007478F	007479F	007480F	007481F
	Heat Exch Assy Brass Cupro Nickel	007482F	007483F	007484F	007485F	007486F	007487F
	Heat Exch Assy Cast Iron w/Pump Hdr Cupro Nickel	007488F	007489F	007490F	007491F	007492F	007493F
	Heat Exch Assy Brass w/Pump Hdr Cupro Nickel	008855F	007495F	007496F	007497F	007498F	007499F
2-H	Inlet/Outlet Header Cast Iron	007500F	007500F	007500F	007500F	007500F	007500F
	Inlet/Outlet Header Brass	007501F	007501F	007501F	007501F	007501F	007501F
3-H	Return Header Cast Iron	007502F	007502F	007502F	007502F	007502F	007502F
	Return Header Brass	007503F	007503F	007503F	007503F	007503F	007503F
4-H	Return Pump Header Cast Iron	007504F	007504F	007504F	007504F	007504F	007504F
	Return Pump Header Brass	007505F	007505F	007505F	007505F	007505F	007505F
5-H	Tube Bundle	007506F	007507F	007508F	007509F	007510F	007511F
	Tube Bundle Cupro Nickel	007512F	007513F	007514F	007515F	007516F	007517F
6-H	Heat Exchange Tube	007518F	007519F	007520F	007521F	007522F	007523F
	Heat Exchange Tube Cupro Nickel	007524F	007525F	007526F	007527F	007528F	007529F
7-H	Stud Bolt Kit	007536F	007536F	007536F	007536F	007536F	007536F
	Stud Bolt Kit w/Pump Header	007537F	007537F	007537F	007537F	007537F	007537F
8-H	Header Gasket	800001B	800001B	800001B	800001B	800001B	800001B
9-H	Baffle Kit "H"	009804F	009805F	009806F	009807F	009808F	009809F
	Baffle Kit "WH" and "P"	007530F	007531F	007532F	007533F	007534F	007535F
10-H	Sensor Well	007211F	007211F	007211F	007211F	007211F	007211F
11-H	Well Retaining Clip	300203	300203	300203	300203	300203	300203

CALL OUT	DESCRIPTION	302B	402B	502B	652B	752B	902B
J	CONTROL BOX						
1-J	Control Box	N/A	N/A	N/A	N/A	N/A	N/A
2-J	Ignition Control	007374F	007374F	007374F	007374F	007374F	007374F
	Ignition Control with Manual Reset	009057F	009057F	009057F	009057F	009057F	009057F
3-J	Printed Circuit Board CPW	009626F	009626F	009626F	009626F	009626F	009626F
5-J	Relay DPDT 24VAC (K1 & K2)	009688F	009688F	009688F	009688F	009688F	009688F
6-J	Relay 3PDT 120VAC (K3)	009689F	009689F	009689F	009689F	009689F	009689F
7-J	Printed Circuit Board UDB (Diagnostic)	011758F	011758F	011758F	011758F	011758F	011758F
8-J	Printed Circuit Board Status Lights	007896F	007896F	007896F	007896F	007896F	007896F
9-J	Transformer 100 VA	007494F	007494F	007494F	007494F	007494F	007494F
10-J	Time Delay Contactor	008921F	008921F	008921F	008921F	008921F	008921F
11-J	Automatic Shut Down Breaker Switch 3 AMP	007380F	007380F	007380F	007380F	007380F	007380F
12-J	On/Off Switch Rocker	006872F	006872F	006872F	006872F	006872F	006872F
13-J	Momentary Switch	005641F	005641F	005641F	005641F	005641F	005641F
14-J	Terminal Block (3 Space)	007382F	007382F	007382F	007382F	007382F	007382F
15-J	Switch Mtg Panel	009628F	009628F	009628F	009628F	009628F	009628F
M	MISCELLANEOUS						
1-M	Flow Switch Paddle	010026F	004079F	004079F	004079F	004079F	004079F
2-M	PRV 30 PSI	007470F	007470F	007217F	007218F	007219F	007748F
	PRV 45 PSI	007220F	007220F	007220F	007346F	007221F	007221F
	PRV 60 PSI	007222F	007222F	007222F	007222F	007222F	007222F
	PRV 75 PSI	007223F	007223F	007223F	007223F	007223F	007223F
	PRV 125 PSI	011912F	011912F	011912F	007224F	007224F	007224F
	PRV 150 PSI	007225F	007225F	007225F	007225F	007225F	007225F
3-M	Delimiting Kit	052870F	052870F	052870F	052870F	052870F	052870F
4-M	T & P Gauge (H)	007205F	007205F	007205F	007205F	007205F	007205F
	T & P Gauge (W)	007399F	007399F	007399F	007399F	007399F	007399F
5-M	Integral Pump 4" Impeller	009296F	009296F	009296F	009296F	009296F	009296F
	Integral Pump 4-1/4" Impeller	N/A	N/A	004844F	004844F	004844F	004844F
6-M	Pump Inline CIBF Taco 0012	007746	007746	007746	007746	007746	N/A
	Pump Inline BR Taco 0012	007747	007747	007747	007747	007747	N/A
7-M	Pump Cartridge Taco 0012	951153F	951153F	951153F	951153F	951153F	N/A
8-M	Pump Gasket Taco 0012	008749F	008749F	008749F	008749F	008749F	N/A
9-M	Thermostatic Converter diverting valve Sparco	009076F	009076F	009077F	009077F	009077F	009078F
10-M	Gasket diverting (Pool)	009079F	009079F	009080F	009080F	009080F	009081F
11-M	RTV Sealant 2.8 oz	008924F	008924F	008924F	008924F	008924F	008924F
	RTV Sealant 10 oz	005755F	005755F	005755F	005755F	005755F	005755F
12-M	Sealant Tape (gray) Specify Length	800351	800351	800351	800351	800351	800351
13-M	Fiberfrax Insulation 1" Wide	008405F	008405F	008405F	008405F	008405F	008405F
14-M	Flue Exhaust Tee Seal Gasket	009734F	009735F	009735F	009736F	009736F	009736F
15-M	Flue Exhaust Adapter Seal Gasket	009737F	009738F	009738F	009739F	009739F	009739F
16-M	Intake Air Seal Gaskets (TruSeal)	010028F	010028F	010028F	010028F	010028F	010028F
17-M	Window Combustion Chamber	006947F	006947F	006947F	006947F	006947F	006947F
18-M	Flame Sensor	006535F	006535F	006535F	006535F	006535F	006535F
19-M	Igniter	007400F	007400F	007400F	007400F	007400F	007400F
20-M	Touch-up Paint (Green)	750125	750125	750125	750125	750125	750125
	Touch-up Paint (Dark Gray)	750126	750126	750126	750126	750126	750126
21-M	Sight Window Plug	008474F	008474F	008474F	008474F	008474F	008474F
22-M	Gas Manifold Grommet 3/4" NPT	010778F	010778F	010778F	010778F	010778F	010778F
23-M	Gas Manifold Grommet 1-1/4" NPT	N/A	N/A	010779F	010779F	010779F	010779F
O	OPTIONS						
1-O	Remote Sensor for Low Water Cut-Off	007228F	007228F	007228F	007228F	007228F	007228F
2-O	Low Water Cut Off PC Board	007157F	007157F	007157F	007157F	007157F	007157F
3-O	Momentary Switch	005641F	005641F	005641F	005641F	005641F	005641F
R	REFRACTORY						
1-R	Refractory Kit (All Panels)	007401F	007402F	007403F	007404F	007405F	007406F
2-R	Refractory Front Panels	007407F	007408F	007409F	007410F	007411F	007412F
3-R	Refractory Blanket	009863F	009864F	009865F	009866F	009867F	009868F

CALL OUT	DESCRIPTION	302B	402B	502B	652B	752B	902B
S	SHEETMETAL						
1-S	Jacket Top	009740F	009741F	009742F	009743F	009744F	009745F
2-S	Upfront Control Panel	009746F	009746F	009746F	009746F	009746F	009746F
	Upfront Control Panel w/ Window	009747F	009747F	009747F	009747F	009747F	009747F
3-S	Upper Control Access Jacket Panel	009748F	009749F	009750F	009751F	009752F	009753F
4-S	Lower Front Jacket Panel	009754F	009755F	009756F	009757F	009758F	009759F
5-S	Access Panel Igniter/Sensor	009694F	009694F	009694F	009694F	009694F	009694F
6-S	Lower Rear Jacket Panel	009760F	009761F	009762F	009763F	009764F	009765F
7-S	Upper Left Side Jacket Panel	009816F	009816F	009766F	009766F	009766F	009766F
8-S	Upper Right Side Jacket Panel	009817F	009817F	009767F	009767F	009767F	009767F
9-S	Air Intake Cover Panel	009768F	009768F	009768F	009768F	009768F	009768F
10-S	Rear Flue Exhaust Cover Panel	009769F	009770F	009770F	009771F	009771F	009771F
11-S	Flue Exhaust Cover Panel	009772F	009773F	009773F	009774F	009774F	009774F
12-S	Lower Corner Supports Front and Rear	009775F	009775F	009775F	009775F	009775F	009775F
13-S	Center Support Panel	010245F	010246F	010247F	010248F	010249F	010250F
14-S	Left & Right Heat Exchanger Support	010251F	010251F	010251F	010251F	010251F	010251F
15-S	Air Intake Adapter Panel TruSeal	009776F	009776F	009776F	009776F	009776F	009776F
16-S	Support Horizontal	009777F	009778F	009779F	009780F	009781F	009782F
17-S	Support Assy Controls and Flue Exhaust	009886F	009886F	009783F	009783F	009783F	009783F
18-S	Flue Collector Top	009784F	009785F	009786F	009787F	009788F	009789F
19-S	Access Panel	009790F	009790F	009790F	009790F	009790F	009790F
20-S	Access Panel w/Pump	009791F	009791F	009791F	009791F	009791F	009791F
21-S	Pump Cover	002671F	002671F	002671F	002671F	002671F	002671F
22-S	Control Box Sheetmetal	009792F	009792F	009792F	009792F	009792F	009792F
23-S	Controller Mounting Panel	009698F	009698F	009698F	009698F	009698F	009698F
24-S	Filter Mounting Panel	009793F	009793F	009793F	009793F	009793F	009793F
25-S	Intake Air Vent Hood	010746F	010746F	010746F	010746F	010746F	010746F
26-S	Blower Plenum	009887F	009887F	N/A	N/A	N/A	N/A
27-S	Flue Exhaust Gasket Retainer	010029F	010030F	010030F	010031F	010031F	010031F
28-S	Combustion Chamber Rear Panel	010766F	010767F	010768F	010769F	010770F	010771F
29-S	Base Assy	010754F	010755F	010756F	010757F	010758F	010759F
30-S	Rear Center Cover Panel	011858F	011858F	011858F	011858F	011858F	011858F
V	VENTING						
1-V	Outdoor Stack	010793	010794	010794	010795	010795	010795
2-V	Flue Exhaust Tee	009795F	009796F	009796F	009797F	009797F	009797F
3-V	Flue Exhaust Tee Cap	009798F	009799F	009799F	009800F	009800F	009800F
4-V	Flue Exhaust Adapter	009801F	009802F	009802F	009803F	009803F	009803F
5-V	Flue Exhaust Straight Pipe	011851F	011852F	011852F	011853F	011853F	011853F



Registered Quality Management System

www.raypak.com

Free Manuals Download Website

<http://myh66.com>

<http://usermanuals.us>

<http://www.somanuals.com>

<http://www.4manuals.cc>

<http://www.manual-lib.com>

<http://www.404manual.com>

<http://www.luxmanual.com>

<http://aubethermostatmanual.com>

Golf course search by state

<http://golfingnear.com>

Email search by domain

<http://emailbydomain.com>

Auto manuals search

<http://auto.somanuals.com>

TV manuals search

<http://tv.somanuals.com>