

Job: _____

Engineer: _____

Contractor: _____

Prepared By: _____ Date: _____

Model: _____ Indoor/Outdoor: _____

Hi Delta® FlexGas® - Type H

Dual-Fuel Hot Water Boilers Models 992BD-2342BD

MBTUH Input: _____

Fast, Economical Natural-to-Propane Gas Switchover

100% Factory Fire Tested

84% Efficiency

Maximum Outlet Temperature: 230°F

Minimum Non-Condensing Inlet Temperature: 105°F

Thermal Shock Proof Heat Exchanger

Limited Twenty-Year Thermal Shock Warranty

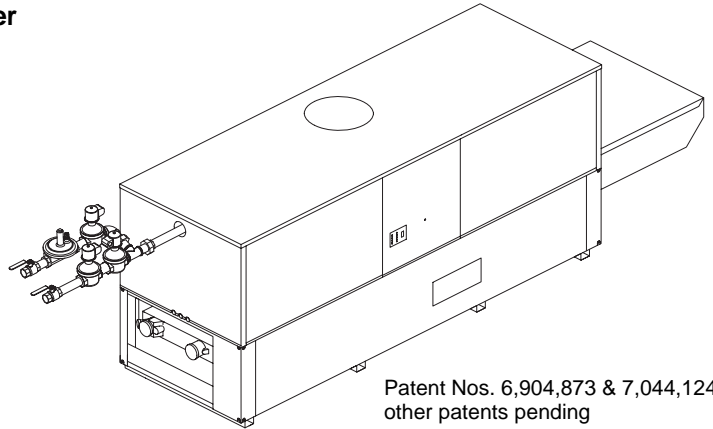
Diagnostic Center with Fault History

PolyTuf Powder Coated Cabinet

No Combustible Floor Shield Required

Fan-Assisted Low NOx Burners

Patented Burner Security Blanket



Patent Nos. 6,904,873 & 7,044,124;
other patents pending

Heat Exchanger

- H Stamp
- Headers
 - Glass-Lined Cast Iron – Standard
 - Bronze – Option A-1
- ASME Inspected and Stamped
160 PSIG Working Pressure
- National Board Approved
- Fin Tubing
 - Copper – Standard
 - Cupro Nickel – Option A-3
- ASME Steel Tube Sheet
- Silicone High Temp. O-Rings
- ASME Pressure Relief Valve
 - 60 PSIG – Standard
 - _____ PSIG – Optional
- Temperature and Pressure Gauge
- Water Connections
 - Left – Standard
 - Right – Option A-6

Controls

- 120V, 60Hz, 1Ø Power Supply
- 120/24V 60Hz Transformer
- 100% Shut-Off/Lockout
- Hot Surface Ignition
- Remote Flame Sensor
- High Limit Control, Manual Reset
- On/Off Power Switch
- Manual Shut-Off, Front-Mounted
- Flow Switch
- Blocked Vent Pressure Switch
- Combustion Air Proving Switches
- Economaster Pump Time Delay
- Enable/Disable

Gas Train

- Manual Gas Shut-Off Valve(s)
- Gas Pressure Regulator
- Safety Shut-Off Valve
- Firing Control Valve
- Low Gas Pressure Switch, Manual
- Firing Mode
 - 3-Stage (H8): Model 992BD
 - 4-Stage (H9): Models 1262BD - 2342BD
- Natural/Propane Gas
- Gas Connection
 - Left – Standard
 - Right – Option Z-1
- Design Certified ANSI Z21.13/
CSA 4.9

Venting

- Vent Location
 - Top – Standard
 - Rear – Option D-14
- Vent Termination Cap
 - Outdoor D-11
 - Indoor, Horizontal D-15
 - Indoor, Vertical (by others)
- Combustion Air
 - In-Line Filter Kit (TruSeal only)
D-17
 - Air Intake Elbow D-16
- Extractor – Optional
 - By others
 - Not required

Construction

- Indoor/Outdoor Construction
- Enclosed Front Controls

Burner

- Ultra-Low NOx: Less than 30 PPM

Temperature Controls

- B-__ TempTracker Digital Controller, 4-Stage
- Y-241 Electronic Sequencer, 4-Stage
- Y-281 Electronic Sequencer, 8-Stage

Options

- C-6 Ignition Module, Manual Reset
- D-21 TruSeal® Direct Vent
- F-10 Low Water Cut-Off, Remote Probe
- I-1 High Limit Control, Auto Reset
- P-__ Pump: _____ HP, 120V, 1Ø, 60Hz
Water Hardness: _____ GPG
 - Cast Iron Bronze
 - Mounted Loose
 - Front Rear
- P-26 Cold Water Start (See 2000.49)
- S-2 High Gas Pressure Switch, Manual
- X-1 SureRack™ Kit
- X-2 SureRack Add-on

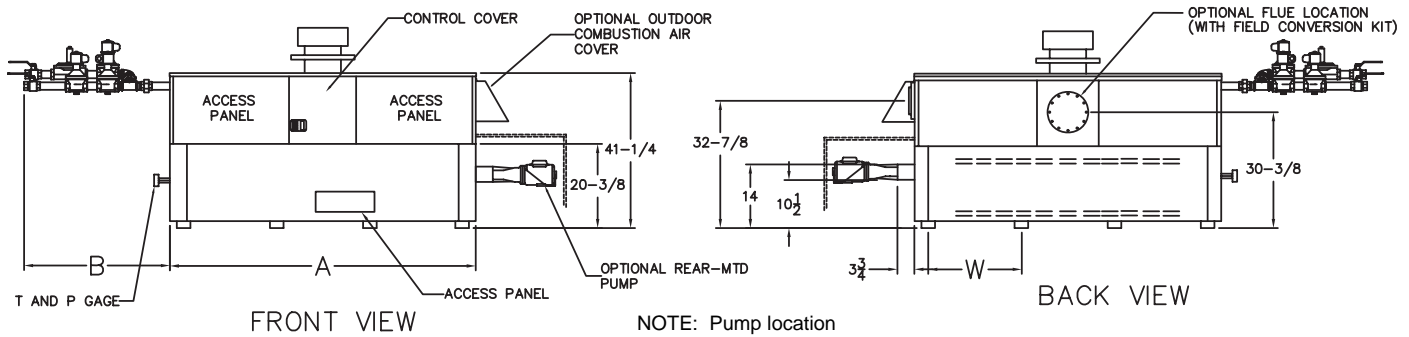
Regulatory Agency Requirements



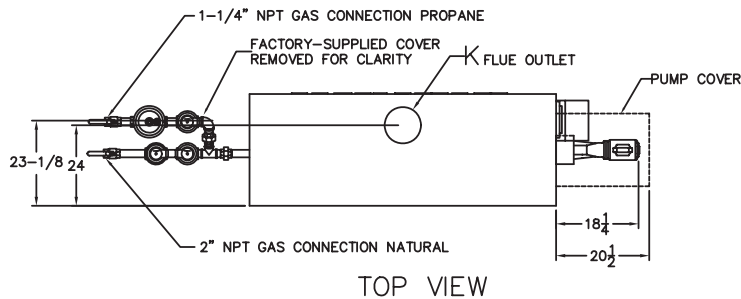
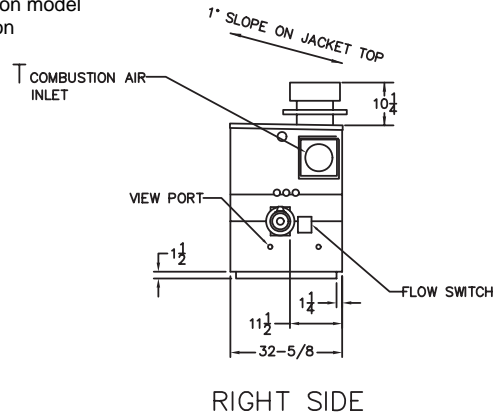
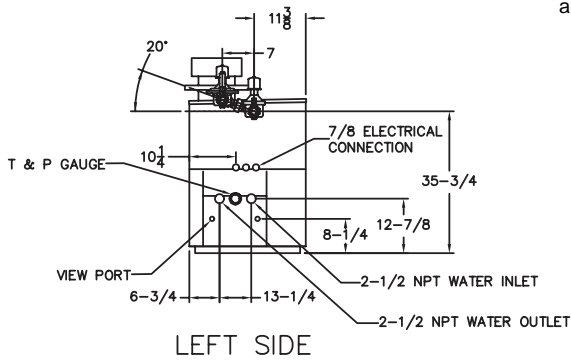
Raypak®
A Rheem® Company

Hi Delta FlexGas – Type H Models 992BD-2342BD

Model _____



NOTE: Pump location varies based on model and application



RATES OF FLOW AND PRESSURE DROPS

Model	20°F ΔT		30°F ΔT		Min. Flow			Max. Flow		
	GPM	ΔP (ft)	GPM	ΔP (ft)	GPM	ΔP (ft)	ΔT	GPM	ΔP (ft)	ΔT
992BD	84	5.6	56	2.5	42	1.5	40	132	14.0	13
1262BD	107	10.0	71	4.5	53	2.6	40	132	15.5	16
1532BD	130	16.0	86	7.1	65	4.1	40	132	16.5	20
1802BD	N/A	N/A	102	10.8	76	6.0	40	132	18.0	23
2002BD	N/A	N/A	113	14.0	85	8.1	40	132	19.5	26
2072BD	N/A	N/A	117	15.0	88	8.7	40	132	19.5	27
2342BD	N/A	N/A	132	21.0	99	12.0	40	132	21.0	30

Basis is 30 GPM or 40°F ΔT for minimum flow, 132 GPM for maximum flow.

SPECIFICATIONS

Model	MBTUH		Firing Stages	A Width	B	H NPT	K	T	W	Amp. Draw*	Approx. Shipping Wt. (Lbs.)
	Input	Output									
992BD	990	832	3	57-1/8	41-3/8	2-1/2	10	10	16-13/16	<12	930
1262BD	1260	1058	4	68-1/2	41-1/2	2-1/2	12	10	20-9/16	<12	1040
1532BD	1530	1285	4	79-7/8	36	2-1/2	12	10	24-3/8	<12	1255
1802BD	1800	1512	4	91-1/8	33-1/2	2-1/2	14	10	28-1/8	<12	1380
2002BD	1999	1679	4	102-1/2	39	2-1/2	14	10	31-15/16	<12	1480
2072BD	2070	1739	4	102-1/2	39	2-1/2	14	10	31-15/16	<12	1480
2342BD	2340	1966	4	113-7/8	34	2-1/2	16	10	35-11/16	<12	1550

* Without pump

NOTES:

- Dimensions are in inches.
- Rates shown are for natural or propane gas, and elevations up to 5,000 feet. For installation above 5,000 feet, please contact manufacturer.
- Required natural gas supply pressure is 7 - 10.5" WC. Required propane gas supply pressure is 11 - 13" WC.

Raypak, Inc. ▪ 2151 Eastman Avenue, Oxnard, CA 93030 ▪ (805) 278-5300 ▪ Fax (800) 872-9725 ▪ www.raypak.com

Free Manuals Download Website

<http://myh66.com>

<http://usermanuals.us>

<http://www.somanuals.com>

<http://www.4manuals.cc>

<http://www.manual-lib.com>

<http://www.404manual.com>

<http://www.luxmanual.com>

<http://aubethermostatmanual.com>

Golf course search by state

<http://golfingnear.com>

Email search by domain

<http://emailbydomain.com>

Auto manuals search

<http://auto.somanuals.com>

TV manuals search

<http://tv.somanuals.com>