

COMMERCIAL HOT WATER SYSTEM FOR TODAY & TOMORROW

E C O N O P A K F e a t u r e s

- All Non-ferrous Waterways
- Factory mounted and wired bronze pump (Piping by others)
- High Efficiency - Up to 82% thermal efficiency
- Six models available:
90,000 to 399,000 BTU per Hour Input
- Super Fast Recovery - Consistent 140°F water delivery, even during peak demand times
- Long Service Life (Four times longer than average tank-type heaters)
- Compact - Fits in small equipment rooms
- Backed by a twenty-year limited warranty



HOTEL / MOTEL



MULTI FAMILY



RESTAURANT



COMMERCIAL LAUNDRY



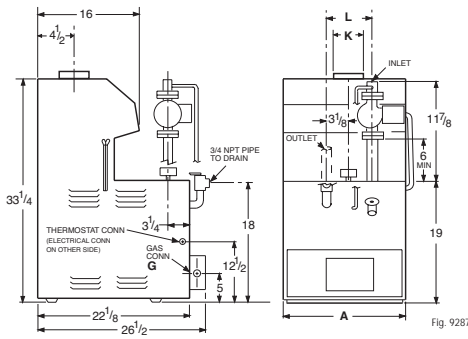
NURSING HOME



TYPE
WH

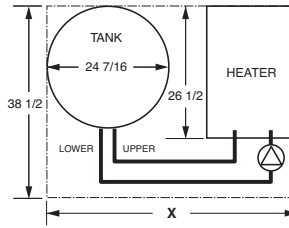
ECONOPAK™ - COMMERCIAL HOT WATER SYSTEM

MODELS WH-90, WH-135, WH-195



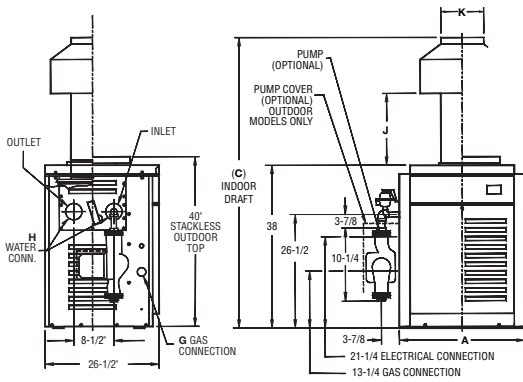
Drawing 1

All dimensions are in inches.



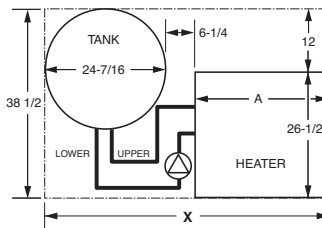
Drawing 1A-Footprint

MODELS WH-260, WH-330, WH-400



Drawing 2

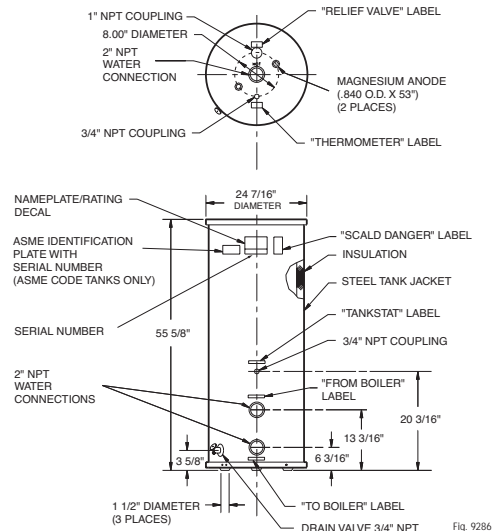
All dimensions are in inches.



Drawing 2A-Footprint

80-GALLON TANK

Tank must be ordered separately



TANK SIZE (GALLONS)	TYPE	SHIPPING WEIGHT (LBS)
80	CODE	255
80	NON-CODE	198

REF DWG	MODEL SIZE	INPUT (MBTUH)	IN-DOOR	OUT-DOOR	RECOVERY $\Delta T=100^\circ F$ (GPH)**	WIDTH A	HEIGHT C	GAS CONN. G	WATER CONN. H	J	FLUE DIA. K	L	FOOT-PRINT X	SHIPPING WEIGHT (LBS)	MINIMUM CLEARANCE FROM COMBUSTIBLE MATERIALS					
															FLOOR	FRONT	RIGHT REAR LEFT SIDE RIGHT SIDE	INDOOR TOP	OUTDOOR TOP	VENT
1	WH-90	90	•		90	11	-	1/2	1	-	5	5 3/4	47	105	COMBUSTIBLE	SEE NOTE	6	16	N/A	6
	WH-135	135	•		132	18	-	1/2	1 1/4	-	6	6 1/4	50 1/4	135	COMBUSTIBLE	SEE NOTE	6	16	N/A	6
	WH-195	195	•		192	18	-	1/2	1 1/4	-	7	6 1/4	50 1/4	140	COMBUSTIBLE	SEE NOTE	6	16	N/A	6
2	WH-260	264	•	•	262	22 3/8	62 7/8	3/4	1 1/2	11 1/8	7	-	53	290	COMBUSTIBLE*	SEE NOTE	12	39	UNOBSTRUCTED	6
	WH-330	334	•	•	332	25 3/4	63 3/4	3/4	1 1/2	10 3/4	8	-	56 1/2	390	COMBUSTIBLE*	SEE NOTE	12	39	UNOBSTRUCTED	6
	WH-400	399	•	•	396	29 1/4	65 3/8	1	1 1/2	12 1/2	9	-	60	405	COMBUSTIBLE*	SEE NOTE	12	39	UNOBSTRUCTED	6

* Installation on combustible floor requires optional shield. ** Based on manufacturer's rating. Models available for use with either Natural Gas or Propane. A front clearance of at least 24 inches is recommended for adequate service of burner tray and controls. Ratings shown are for elevations up to 2,000 feet. Ratings should be reduced at the rate of 4% for each 1,000 feet above sea level.

MODEL	MAXIMUM AND MINIMUM FLOW RATES						HEATER RATE OF FLOW AND PRESSURE DROP					
	MAX. FLOW/MIN. ΔT			MIN. FLOW/MAX. ΔT			10°F (ΔT)		20°F (ΔT)		30°F (ΔT)	
	GPM	(°F) ΔT	ΔP (FT)	GPM	(°F) ΔT	ΔP (FT)	GPM	ΔP (FT)	GPM	ΔP (FT)	GPM	ΔP (FT)
WH-90	22	7	12.5	6	25	0.95	15	6.0	7.4	1.5	N/A	N/A
WH-135	33	7	10.0	9	25	0.75	22	4.6	11.1	1.2	N/A	N/A
WH-195	44	7	11.5	12	26	0.85	32	6.0	16	1.6	N/A	N/A
WH-260	45	10	9.4	20	22	1.90	45	9.4	22	2.2	N/A	N/A
WH-330	45	12	9.6	20	27	1.90	N/A	N/A	27	3.4	N/A	N/A
WH-400	45	15	9.8	20	33	2.10	N/A	N/A	33	5.2	22	2.3

RAYPAK, Inc.

2151 Eastman Avenue • Oxnard, CA 93030
805-278-5300 • Fax 800-872-9725 • www.raypak.com



Raypak, Inc. reserves the right to make product changes or improvements at any time without notice.
Catalog No.: 3000.11H Effective: 03-01-08 Replaces: 06-01-02 Litho in U.S.A. ©1994-2008 Raypak, Inc.

Free Manuals Download Website

<http://myh66.com>

<http://usermanuals.us>

<http://www.somanuals.com>

<http://www.4manuals.cc>

<http://www.manual-lib.com>

<http://www.404manual.com>

<http://www.luxmanual.com>

<http://aubethermostatmanual.com>

Golf course search by state

<http://golfingnear.com>

Email search by domain

<http://emailbydomain.com>

Auto manuals search

<http://auto.somanuals.com>

TV manuals search

<http://tv.somanuals.com>