

# OWNER'S MANUAL

**Read and understand this entire manual before  
allowing anyone to use this product!  
For assistance contact Razor. DO NOT RETURN TO STORE.**

**NOTE: Manual illustrations are for demonstration purposes only. Illustrations may not reflect exact appearance of actual product. Specifications subject to change without notice.**

# CONTENTS

Safety Warnings .....	1	Safety Tips .....	4
Before You Begin.....	2	Warranty .....	4
Pogo Parts List .....	3		

# SAFETY WARNINGS

**! AN IMPORTANT MESSAGE TO PARENTS:** This manual contains important information. For your child's safety, it is your responsibility to review this information with your child and make sure that your child understands all warnings, cautions, instructions and safety topics. Razor USA recommends that you periodically review and reinforce the information in this manual with younger pogo users and that you are required to inspect and maintain your child's pogo to insure their safety.

**! GENERAL WARNING:** Pogo use can be a hazardous activity. Pogos can, and are intended to move, they go up and they go down and it is therefore possible to get into dangerous situations and/or lose control and/or fall. If such things occur you can be seriously injured or die. **LIKE ANY OTHER MOVING PRODUCT, USING A POGO CAN BE A DANGEROUS ACTIVITY AND MAY RESULT IN INJURY OR DEATH EVEN WHEN USED WITH PROPER SAFETY PRECAUTIONS. USE AT YOUR OWN RISK AND USE COMMON SENSE.**

- Always check to be sure the rubber tip is firmly in place before using pogo. Do not use if rubber tip is damaged or loose; replace if worn or damaged.
- Always wear safety equipment such as helmet, knee pads and elbow pads. Always wear a helmet when riding your pogo and keep the chinstrap securely buckled.
- Always wear shoes.
- Use only on smooth, hardened surfaces away from motor vehicles.
- Avoid sharp bumps, drainage grates, and sudden surface changes.
- Avoid surfaces with water, sand, grass, gravel, dirt, leaves, or other debris.
- Do not use your pogo at night.
- Do not exceed 143 pounds (65 kilograms) total weight on the BoGo™ Pogo.
- Do not allow children under age six (6) to use the pogo. Children under age eight (8) should use with adult supervision at all times. Adult supervision is recommended at all times.
- User weight does not necessarily mean a child's size is appropriate to fit or maintain control of the pogo.
- A parent's decision to allow his or her child to use this product should be based on the child's maturity, skill and ability.

## ACCEPTABLE POGO USER PRACTICES AND CONDITIONS

Direct parental supervision is required. Pogos are meant to be used only in controlled environments free of potential traffic hazards and not on public streets. Do not allow your use of a pogo in any areas where vehicle traffic is present. Never use near steps, sloped driveways, hills, roadways, alleys or swimming pool areas.

Do not push pogo away from you when jumping as this can affect balance, landings, and cause greater stress to the pogo.

Always hold the pogo in an upright, vertical position when jumping.

Using a "spotter" to assist when learning to use a pogo can be very helpful.

Pogos are intended for use on solid, flat, clean and dry surfaces such as pavement or level ground without loose debris such as rocks or gravel. Wet, slick or uneven and rough surfaces may impair landings and contribute to possible accidents. Never risk damaging surfaces such as carpet or flooring by use of a pogo indoors. Do not use at night or when visibility is impaired.

## PROPER ATTIRE

Always wear proper protective equipment such as an approved safety helmet. A helmet may be legally required by local law or regulation in your area. A user should always wear shoes, never use barefooted or in sandals, and keep shoelaces tied.

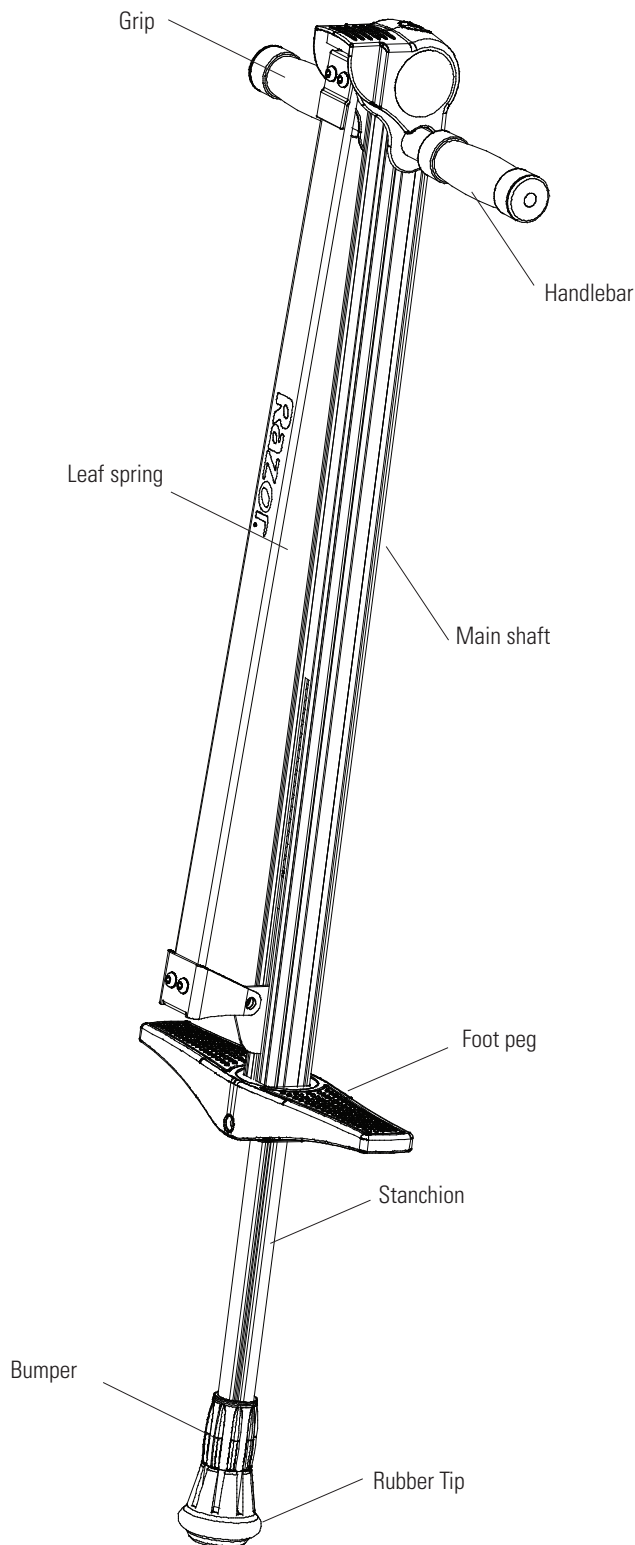
**! WARNING:** ALWAYS INSPECT POGO PRIOR TO RIDING. Properly inspecting and maintaining your pogo can reduce the risk of injury.

**! WARNING:** CHECK LOCAL LAWS REGARDING POGO USE. Check local laws and regulations to see where and how you may use your Razor pogo legally. In many states and local areas pogo riders may be required BY LAW to wear a helmet. Check local laws and regulations regarding laws governing helmet use and pogo operation in your area.

FAILURE TO USE COMMON SENSE AND HEED THE ABOVE WARNINGS FURTHER INCREASES RISK OF SERIOUS INJURY. USE AT YOUR OWN RISK AND WITH APPROPRIATE AND SERIOUS ATTENTION TO SAFE OPERATION. USE CAUTION.

## BEFORE YOU BEGIN

Remove contents from box. Inspect the contents of the box for scratches in the paint and/or dents that may have occurred during shipping. Because your pogo was assembled and packed at the factory, there should not be any problems, even if the box has a few scars or dents.



**! WARNING:** DO NOT USE NON-RAZOR PRODUCTS WITH YOUR POGO STICK.

The Razor BoGo™ Pogo has been built to certain Razor design specifications. The original equipment supplied at the time of sale was selected on the basis of its compatibility with the frame and all other parts. Certain aftermarket products may not be compatible and will void the warranty.

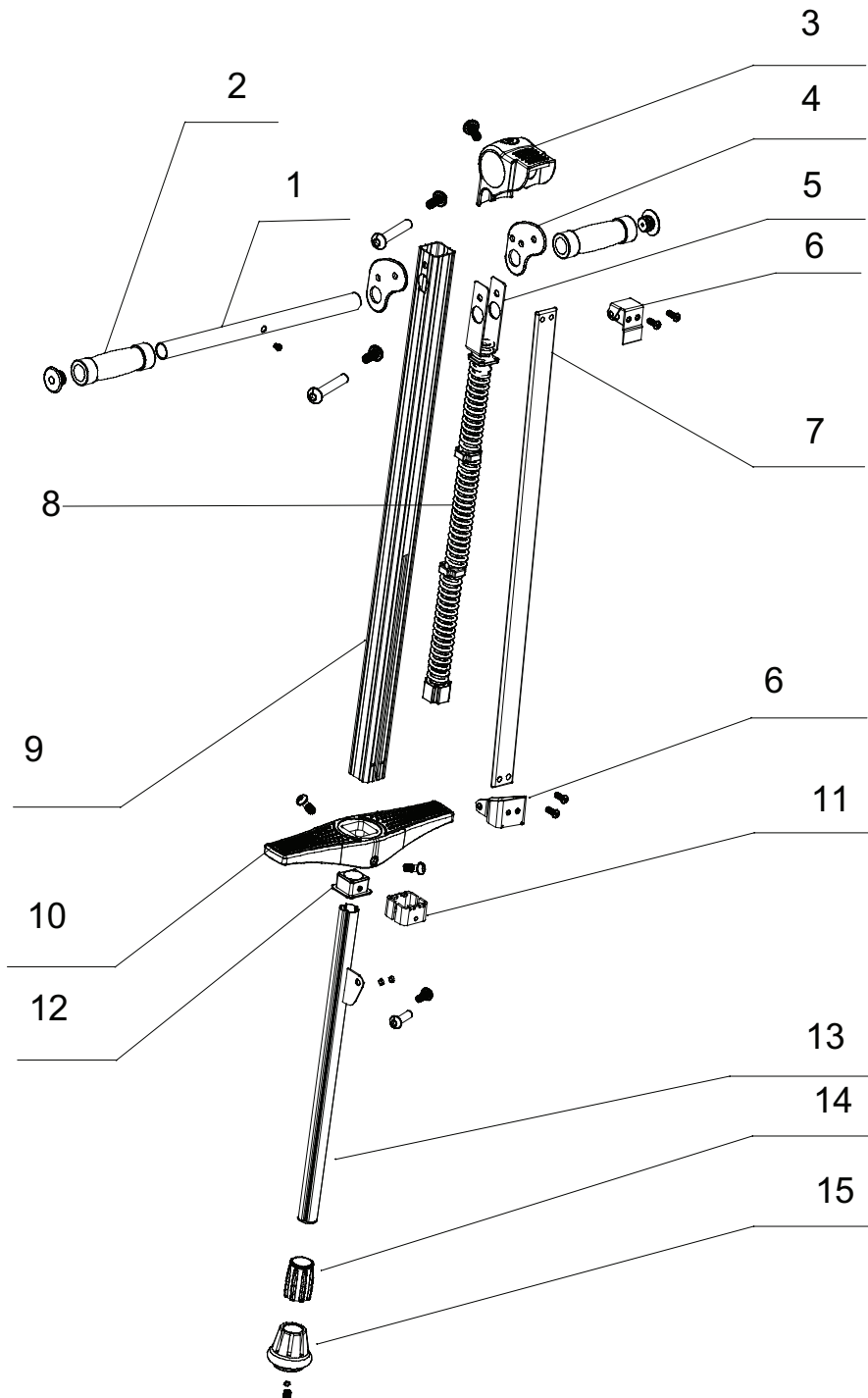
**! WARNING:** INSPECT YOUR CARBON FIBER LEAF SPRING: Your BoGo™ pogo is equipped with a carbon fiber external leaf spring assist for high performance. This spring is encased in a rubberized sheath which reduces UV exposure and enhances product life and safety. Always check to confirm this spring and its sheathing is not damaged, chipped or worn. Replace as appropriate to assure continuous performance and safety.

**Need Help?** Visit our web site for replacement parts, product support and a list of authorized service centers at [www.razor.com](http://www.razor.com) or call toll-free at 866-467-2967 Monday - Friday 8:00 AM - 5:00 PM Pacific Time.

# POGO PARTS LIST

Keep your pogo working for years with genuine Razor parts. Visit our web site or e-mail us for more information on spare part availability. (Specifications subject to change without notice.)

- |                                      |                            |
|--------------------------------------|----------------------------|
| 1. Handlebar                         | 9. Main Shaft              |
| 2. Grip (x2)                         | 10. Foot Peg               |
| 3. Top Cover                         | 11. Foot Peg Guide Bushing |
| 4. Handlebar Reinforcement           | 12. Stopper                |
| 5. Spring Restriction Plate          | 13. Stanchion              |
| 6. Spring Fixing Plate (upper/lower) | 14. Bumper                 |
| 7. Leaf Spring                       | 15. Rubber Tip             |
| 8. Coil Spring with guide            |                            |



## SAFETY REMINDERS

### PRE-RIDE CHECKLIST



#### Loose Parts

Check and secure all fasteners before every ride.



#### Replacement Parts

Replace worn or broken parts immediately. Call 1-866-GO-RAZOR for parts or visit [www.razor.com](http://www.razor.com).



#### Safety Gear

Always wear proper protective equipment such as an approved safety helmet, elbow pads and kneepads. Always wear shoes (lace-up with rubber soles), never use barefooted or in sandals, and keep shoelaces tied and out of the way of the springs.



#### Be Careful!

You will see people on TV and maybe even people you know doing tricks and stunts. These are people who have been practicing for a very long time. Don't try something until you are ready. Avoid steep inclines and don't jump too high — you can lose control and fall. Never use in traffic or on the street and watch your surroundings for pedestrians, bikers, boarders and skaters.

Maintain a hold on the handlebars at all times.



**DO NOT RETURN TO STORE**  
Failure to follow these instructions may damage your product and void your warranty.

## WARRANTY

### Razor Limited Warranty

The manufacturer warrants this product to be free of manufacturing defects for a period of 6 months from date of purchase. This Limited Warranty does not cover normal wear and tear, or any damage, failure or loss caused by improper assembly, maintenance, or storage.

This Limited Warranty will be void if the product is ever

- used in a manner other than for recreation;
- modified in any way;
- rented.

The manufacturer is not liable for incidental or consequential loss or damage due directly or indirectly to the use of this product.

Razor does not offer an extended warranty. If you have purchased an extended warranty, it must be honored by the store at which it was purchased.

For your records, save your original sales receipt with this manual.

Item Number:

**RED 10067112**

**Need Help?** Visit our web site for replacement parts, product support and a list of authorized service centers at [www.razor.com](http://www.razor.com) or call toll-free at 866-467-2967 Monday - Friday 8:00 AM - 5:00 PM Pacific Time.

Printed in China for:  
Razor USA LLC  
PO Box 3610  
Cerritos, CA 90703

Copyright © 2003-2010 Razor USA, LLC. All rights reserved. RAZOR and the Razor Logo Design are among the registered trademarks of Razor USA LLC in the United States and/or select foreign countries. BoGo is a trademark of Razor USA LLC.

09/2010

## Free Manuals Download Website

<http://myh66.com>

<http://usermanuals.us>

<http://www.somanuals.com>

<http://www.4manuals.cc>

<http://www.manual-lib.com>

<http://www.404manual.com>

<http://www.luxmanual.com>

<http://aubethermostatmanual.com>

Golf course search by state

<http://golfingnear.com>

Email search by domain

<http://emailbydomain.com>

Auto manuals search

<http://auto.somanuals.com>

TV manuals search

<http://tv.somanuals.com>