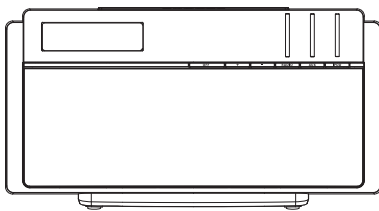


IMPORTANT SAFETY INSTRUCTIONS



user manual
guide de l'utilisateur

RC60i



EN/F

It is important to read this user manual prior to using your new product for the first time.
Nous vous recommandons de lire ce manuel avant d'utiliser votre nouveau produit pour la première fois.

FCC information

FCC information

This equipment has been tested and found to comply with the limits for a Class B digital device, pursuant to Part 15 of FCC Rules. These limits are designed to provide reasonable protection against harmful interference in a residential installation. This equipment generates, uses, and can radiate radio frequency energy and, if not installed and used in accordance with the instructions, may cause harmful interference to radio communications.

However, there is no guarantee that interference will not occur in a particular installation. If this equipment does cause harmful interference to radio or television reception, which can be determined by turning the equipment off and on, the user is encouraged to try to correct the interference by one or more of the following measures:

- Reorient or relocate the receiving antenna.
- Increase the separation between the equipment and receiver.
- Connect the equipment into an outlet on a circuit different from that to which the receiver is connected.
- Consult the dealer or an experienced radio/TV technician for help.

Modifications not expressly approved by the party responsible for compliance could void the user's authority to operate the equipment.

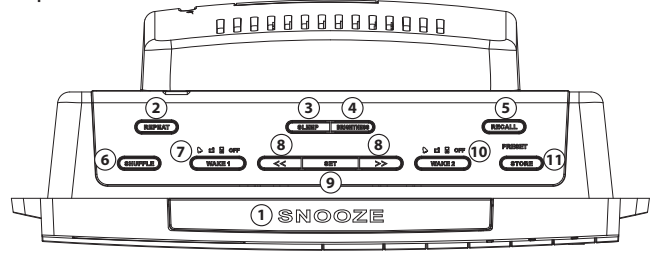
This Class B digital apparatus complies with Canadian ICES-003. Cet appareil numérique de la class B est conforme à la norme NMB-003 du Canada.

Illustrations contained within this publication are for representation only and subject to change.

The descriptions and characteristics given in this document are given as a general indication and not as a guarantee. In order to provide the highest quality product possible, we reserve the right to make any improvement or modification without prior notice.

General controls

Top view



- SNOOZE** – Turn off the wake function momentarily; turn off the sleep function
- REPEAT** – Select repeat playback mode for iPod/iPhone
- SLEEP** – Refer to "Sleep function"
- BRIGHTNESS** – Adjust display brightness
- RECALL** – Recall preset radio stations
- SHUFFLE** – Select random playback mode for iPod/iPhone
- WAKE 1** – Activate or change Wake 1 settings
- << or >>** – Search radio frequencies; skip or search music file in iPod/iPhone; adjust clock time and wake time
- SET** – Enter setting mode for setting clock time, Wake 1 time or Wake 2 time
- WAKE 2** – Activate or change Wake 2 settings
- STORE** – Save radio stations as presets

Auxiliary source

To select auxiliary mode:

- Connect your auxiliary source (e.g. mp3 player) to the AUX input jack at the back of the unit with an audio cable (not supplied).
- Press **AUX** to turn on the unit or to switch to listen to AUX from other modes.
- The auxiliary mode icon (**AUX**) lights on the display.
- Adjust the auxiliary player to mid-range volume and adjust the master volume on the unit. Do not turn the volume of the auxiliary player too high as this may affect the sound quality. For other playback operations, control them on your auxiliary player.

Wake function

Set wake time

- This unit allows 2 wake times to be set.
- Press **SET** on the top of the unit until a **WAKE 1** icon (**W** / **1**) or a **WAKE 2** icon (**W** / **2**) flashes on the display.
 - Press **<< or >>** on the top of the unit to set the wake time. The time decrements or increments follow by a faster rate when you press and hold the button.
 - To save and exit the wake setting, wait for about 5 seconds or press **SET** until the clock setting icon (**C**) is off and the wake setting icons (**W** / **1** or **W** / **2**) are either off or stop flashing.
 - To check the wake time after setting, press **SET** until a **WAKE 1** icon (**W** / **1**) or **WAKE 2** icon (**W** / **2**) flashes and the respective assigned wake time shows on the display.



Select the wake source

- You may be woken up by the alarm, radio, or music from iPod/iPhone.
- Set a wake time (refer to the above instructions).
 - Press **WAKE 1** or **WAKE 2** to select a wake mode. Corresponding icon lights on the front of the unit.
 - W** – Wake 1 by alarm
 - W** / **1** – Wake 1 by radio
 - W** / **1** / **i** – Wake 1 by iPod/iPhone
 - W** / **2** – Wake 2 by alarm
 - W** / **2** / **r** – Wake 2 by radio
 - W** / **2** / **i** – Wake 2 by iPod/iPhone
- If Waking to Alarm (**W**) is selected:**
- Wake to Alarm uses **GRAD-U-WAKE**, a gentle increase to the maximum alarm tone volume over 30 to 45 seconds.
 - If you set the wake function with low volume level before going to bed, we advise using Waking to Alarm mode to wake you up since the volume will automatically increase.

If Waking to RADIO (**W** / **r**) is selected:

- Select a desired wake up radio channel (refer to "Listening to the radio"). If no wake up channel is set, your last listening radio station will be selected.

ANY OTHER WARRANTY. No person or representative is authorized to assume for the Company any liability other than expressed herein in connection with the sale of this product.

Some states do not allow limitations on how long an implied warranty lasts or the exclusion or limitation of incidental or consequential damage so the above limitations or exclusions may not apply to you. This Warranty gives you specific legal rights and you may also have other rights which vary from state to state.

How to make a warranty claim:

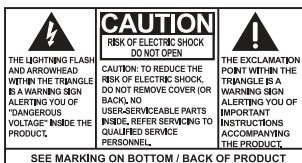
- If your product is capable of storing content (such as an mp3 player, digital voice recorder, etc), it is recommended to make periodic backup copies of content stored on the product. If applicable, before shipping a product, make a back up copy of content or data stored on the device. Also, it is advisable to remove any personal content which you would not want exposed to others. IT IS LIKELY THAT CONTENTS AND DATA ON THE DEVICE WILL BE LOST DURING SERVICE AND REFORMATTING. AUDIOVOX ACCEPTS NO LIABILITY FOR LOST CONTENT OR DATA, OR FOR THE SECURITY OF ANY PERSONAL CONTENT OR DATA ON THE RETURNED DEVICE. Product

- Only use attachments/accessories specified by the manufacturer.
- Use only with the cart, stand, tripod, bracket, or table specified by the manufacturer, or sold with the apparatus. When a cart is used, use caution when moving the cart/apparatus combination to avoid injury from tip-over.
- Unplug the apparatus during lightning storms or when unused for long periods of time.
- Refer all servicing to qualified service personnel. Servicing is required when the apparatus has been damaged in any way, such as power-supply cord or plug is damaged, liquid has been spilled or objects have fallen into the apparatus, the power cord has been exposed to rain or moisture, does not operate normally, or has been dropped.



- ADDITIONAL SAFETY INFORMATION**
- Main plug is used as disconnect device and it should remain readily operable during intended use. In order to disconnect the apparatus from the mains completely, the mains plug should be disconnected from the mains socket outlet completely.

- The AC/DC adapter supplied with this product is intended to be correctly oriented in a vertical or floor mount position.
- Do not use unauthorized chargers or power adapters. Use only chargers that came with your product or that is listed in the user's guide.
- Apparatus shall not be exposed to dripping or splashing and no objects filled with liquids, such as vases, shall be placed on the apparatus.
- Always leave sufficient space around the product for ventilation. Do not place product in or on a bed, rug, in a bookcase or cabinet that may prevent air flow through vent openings.
- Do not place lighted candles, cigarettes, cigars, etc. on the product.
- Connect power cord only to AC power source as marked on the product.
- Care should be taken so that objects do not fall into the product.
- Do not attempt to disassemble the cabinet. This product does not contain customer serviceable components.
- The marking information is located at the bottom of apparatus.
- Caution marking is located at bottom of apparatus.



WARNING: TO PREVENT FIRE OR ELECTRICAL SHOCK HAZARD, DO NOT EXPOSE THIS PRODUCT TO RAIN OR MOISTURE.

This equipment is a Class II or double insulated electrical appliance. It has been designed in such a way that it does not require a safety connection to electrical earth.

Plugging in for power

AC OUTLET POWER SUPPLY:
120 V – 60 Hz

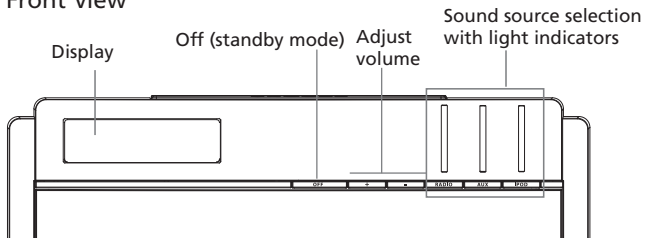
Power is fed to the unit even when it is not functioning. To cut the power supply off, the power cable must be unplugged.

Important battery precautions

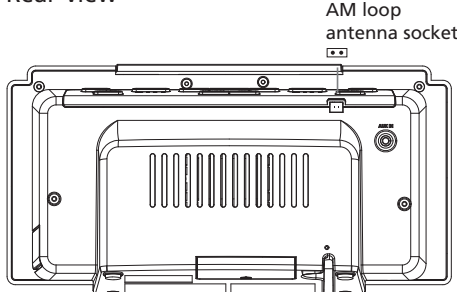
- Any battery may present a risk of fire, explosion, or chemical burn if abused. Do not try to charge a battery that is not intended to be

General controls

Front view



Rear view



AM loop antenna socket – Connect to the AM loop antenna

AUX IN – Auxiliary input jack

Technical information

Product: Clock Radio
Brand: RCA
Model: RC60i

Electrical consumption

Power Supply: 120 V – 60 Hz
Power Consumption: 8 Watts

iPhone is a trademark of Apple Inc.

iPod is a trademark of Apple Inc., registered in the U.S. and other countries.

Apple is not responsible for the operation of this device or its compliance with safety and regulatory standards.

"Made for iPod" means that an electronic accessory has been designed to connect specifically to iPod and has been certified by the developer to meet Apple performance standards.

"Works with iPhone" means that an electronic accessory has been designed to connect specifically to iPhone and has been certified by the developer to meet Apple performance standards.

Ecology

Help protect the environment – we recommend that you dispose of used batteries by putting them into specially designed receptacles.

For your records

In the event that service should be required, you may need the model number and the serial number. In the space below, record the date and place of purchase and the serial number:
Model No.:
Date of Purchase:
Place of Purchase:
Serial No.:

Before you begin

Plugging in for power

Insert the plug of the unit into an AC power outlet.

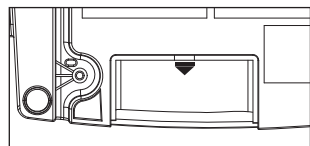
Refer to the "Clock" section and follow the instructions to get the clock time shown correctly with the Auto Clock set feature.

Battery back-up operation

This clock radio is equipped with a memory holding system that can be powered with 9V battery. The power failure protection circuit will not operate unless battery is installed. When normal household power is interrupted, or AC line cord is unplugged, the batteries will power the clock radio to keep track of time and alarm settings programmed into memory. When the battery backup functions, the digital display will not light, however, the function of alarm still occurs during the power interruption if remaining battery power is adequate. Normal operation will resume after AC power is restored so you will not have to reset the time or the alarm.

To install or replace the batteries:

- Remove battery compartment door (located at the bottom of the radio) by applying thumb pressure to the tab on battery door and then lift the door out and off the cabinet.



- Insert or replace a 9V battery (not included).
- Replace the compartment door.

- It is recommended to plug the unit for AC power while replacing batteries to avoid the loss of clock and wake time/mode settings.

Power failure indicator

When AC power is interrupted (disconnected) for a short period of time, both time and alarm settings will change (unless batteries are installed). After AC power is restored (reconnected), the Digit Display will blink to indicate that power was interrupted and you should readjust the time and alarm settings.

Alkaline (NEDA 1604A/IEC 6LR61) battery is recommended.

Carbon-zinc battery may be used but memory holding time will be substantially reduced. Memory holding time for a fresh alkaline battery is approximately 8 hours (if radio or alarm are not operated) which should take care of short, nuisance-type AC power failures. To preserve battery life, the unit should remain plugged into an AC outlet. As the battery gets older, its voltage drops and memory may be lost. Be sure to replace the battery periodically. Battery should be removed if the unit will be stored for more than one month. Leaky battery can badly damage the clock radio.

Radio

Listening to the radio

- To turn on or off radio:**
- Press **RADIO** on the front of the unit to turn on the radio.
 - The radio mode icon (**R**) lights on the display.
- Press OFF** to turn off the radio, or press **AUX** or **iPOD** to select another sound mode.

To select radio band:

- In radio mode, press **RADIO** to select the radio band (AM/FM).
- The selected radio band icon lights on the display.

To tune frequency:

- Press **<< or >>**. The selected frequency shows on the display.
- Press and hold to automatically search for the next available station.

Antenna

Built-in AFC
The Built-in Automatic Frequency Control (AFC) works only on FM. It helps reducing drift on FM reception and keeping the radio locked in on the FM station to which it is tuned.

AM Antenna

For AM reception, connect the AM antenna loop to the back of the radio. Stretch out the antenna cord to its fullest length and rotate the antenna for better reception.

- Adjust the volume to your desired level.
- Press **OFF** to turn off the unit.

If Waking to iPod/iPhone (**W** / **i**) is selected:

- Adjust the volume to your desired level. The last played file on the iPod/iPhone will be played when the wake function activates.
- Press **OFF** to turn off the unit.

Note: If there is no iPod/iPhone connected, the alarm tone will sound instead even if Waking to iPod mode is selected.

- When the wake function activates, the corresponding wake icon will flash until the wake function is turned off. The icon will then stop flashing and keep lighting up.
- When the AC power is disconnected, all wake mode will be reverted to alarm tone.

Turn off the wake function

To silence the wake function momentarily:

- Press **SNOOZE**. The alarm will sound again when the snooze period is over. The snooze period is 9 minutes.

To stop the wake function:

- Press **OFF**. The alarm will be on again the following day at the same time.

To disable the wake function completely:

- Press **WAKE 1** or **WAKE 2** repeatedly until no corresponding wake icon (**W** / **1** or **W** / **2**) shows on the display.

- A new or refurbished unit will be shipped to you freight prepaid.

What we will do:

Provide you with a new, or at our option, a refurbished unit. The exchange unit is under warranty for the remainder of the original product's warranty period.

For Canada Customers, please ship to:

Audiovox Return Centre
c/o Genco
6685 Kennedy Road,
Unit#3, Door 16,
Mississauga, Ontario
L5T 3A5

Audiovox Electronics Corp.
Attn: Service Department.
150 Marcus Blvd.
Hauppauge N.Y. 11788
1-877-833-3491

- Insure your shipment for loss or damage. Audiovox accepts no liability in case of damage or loss en route to Audiovox.
- Pay any charges billed to you by the Exchange Center for service not

Sleep function

In the sleep mode, the radio, iPod or AUX mode can be set to operate for a certain period of time before turning off automatically.

To set the sleep time:

- Press **SLEEP** repeatedly to cycle among the sleep time available (90min, 60min, 30min, 15min and Off). The sleep time is default to 90 min).
- The icon **S** flashes while selecting.
- When the desired sleep time is selected, release **SLEEP** and wait for about 5 seconds, the sleep time is now set.
- The icon **S** lights on the display.

To listen to the radio:

- The radio turns on by default. If not, press **RADIO** and select a radio station as usual.

To listen to the iPod/iPhone:

- Press **iPOD** and then press **<< or >>** to select a file on the iPod/iPhone. Playback will be in repeat all files mode automatically.
- If iPod mode is selected in your last sleep mode setting, the iPod/iPhone will start to play, instead of the radio.
- The radio will be played whenever

the iPod mode is selected but without an iPod/iPhone connected.

To listen to the auxiliary player:

- If an auxiliary player (e.g. mp3 player) is connected, press **AUX** to select AUX mode and start playback on your auxiliary player.

To change or check the remaining time in SLEEP mode:

- Press **SLEEP** once to check the remaining sleep time. Press **SLEEP** repeatedly to select another sleep time.

To cancel the sleep mode:

- If you decide to turn off the unit sooner, press **SNOOZE**, **OFF** or press **SLEEP** repeatedly to select "OFF".

Display brightness

Press **BRIGHTNESS** to dim the display and press again to restore to the original brightness level.

Warranty information

Limited warranty

12 Month Limited Warranty Applies to RCA Audio/Video Products

AUDIOVOX ELECTRONICS CORP. (the Company) warrants to the original retail purchaser of this product that should this product or any part thereof, under normal use and conditions, be proven defective in material or workmanship within 12 months from the date of original purchase, such defect(s) will be repaired or replaced with reconditioned product (at the Company's option) without charge for parts and repair labor.

To obtain repair or replacement within the terms of this Warranty, the product is to be delivered with proof of warranty coverage (e.g. dated bill of sale), specification of defect(s), transportation prepaid, to the Company at the address shown below.

This Warranty does not extend to the elimination of externally generated static or noise, to correction of antenna problems, loss/interruptions of broadcast or internet service, to costs incurred for installation, removal or reinstallation of product, to corruptions caused by computer viruses, spyware or other malware, to loss of media, files, data or content, or to damage to tapes, discs, removable memory devices or

cards, speakers, accessories, computers, computer peripherals, other media players, home networks or vehicle electrical systems.

This Warranty does not apply to any product or part thereof which, in the opinion of the Company, has suffered or been damaged through alteration, improper installation, mishandling, misuse, neglect, accident, or by removal or defacement of the factory serial number/bar code label(s). THE EXTENT OF THE COMPANY'S LIABILITY UNDER THIS WARRANTY IS LIMITED TO THE REPAIR OR REPLACEMENT PROVIDED ABOVE AND, IN NO EVENT, SHALL THE COMPANY'S LIABILITY EXCEED THE PURCHASE PRICE PAID BY PURCHASER FOR THE PRODUCT.

This Warranty is in lieu of all other express warranties or liabilities. ANY IMPLIED WARRANTIES, INCLUDING ANY IMPLIED WARRANTY OF MERCHANTABILITY, SHALL BE LIMITED TO THE DURATION OF THIS WRITTEN WARRANTY. ANY ACTION FOR BREACH OF ANY WARRANTY HEREUNDER INCLUDING ANY IMPLIED WARRANTY OF MERCHANTABILITY MUST BE BROUGHT WITHIN A PERIOD OF 24 MONTHS FROM DATE OF ORIGINAL PURCHASE. IN NO CASE SHALL THE COMPANY BE LIABLE FOR ANY CONSEQUENTIAL OR INCIDENTAL DAMAGES FOR BREACH OF THIS OR

For Customer Service Visit Our Website At:
www.rcaaudiovideo.com
Product Information, Photos, FAQs, Owner's Manuals
Audiovox Electronics Corp.
150 Marcus Blvd., Hauppauge, NY 11788
©2010 Audiovox Electronics Corp.
Trademark(s) * Registered
Printed in China

IMPORTANTES INSTRUCTIONS DE SECURITE

Il est possible que certains des articles ci-dessous ne s'appliquent pas à votre appareil. Cependant, il faut prendre certaines précautions quand on manipule et utilise tout appareil électronique.

- Lisez ces instructions.
- Conservez ces instructions.
- Portez attention à tous les avertissements.
- Observez toutes les instructions.
- N'utilisez pas cet appareil près de l'eau.
- Nettoyez avec un chiffon sec seulement.
- N'utilisez pas les ouvertures de ventilation. Exécutez l'installation selon les instructions du fabricant.
- N'installez pas près d'une source de chaleur tel que radiateur, grille de chauffage, poêle ou autres appareils (incluant les amplificateurs) qui produisent de la chaleur.
- Ne déjoiez pas le dispositif de sécurité des fiches polarisées ou avec mise à la terre. Une fiche polarisée comprend deux lames, l'une étant plus large. Une fiche avec mise à la terre comprend deux lames et une broche de mise à la terre. La lame plus large ou la broche de mise à la terre assure votre sécurité. Si la fiche fournie ne convient pas à la prise murale, consultez un technicien pour remplacer la prise murale.
- Assurez-vous que personne ne marche sur le cordon d'alimentation

ou qu'il n'est pas coincé près des fiches, des prises et à la sortie des appareils.

- N'utilisez que les accessoires spécifiés par le fabricant.
- N'utilisez qu'avec le chariot, support, trépied, crochet ou table spécifiée par le fabricant ou vendue avec l'appareil.
- Lorsque vous utilisez un chariot, portez attention lorsque vous déplacez le chariot et l'appareil pour éviter les blessures dues au renversement.
- Débranchez l'appareil pendant les orages ou si vous ne l'utilisez pas pendant de longues périodes.
- Confiez l'entretien à du personnel compétent. Les réparations sont nécessaires si l'appareil a été endommagé de quelque façon que ce soit, comme un cordon d'alimentation ou une fiche en mauvais état, si un liquide a été renversé sur l'appareil, si des objets sont tombés sur l'appareil, si l'appareil a été exposé à l'eau ou à l'humidité, si l'appareil ne fonctionne pas normalement ou s'il est tombé.



Avertissement par chariot

INFORMATIONS DE SECURITES SUPPLEMENTAIRES

- La fiche pour prise murale est utilisée en tant que moyen de déconnexion; elle doit rester en état de fonctionnement et ne pas être gênée pendant l'utilisation.
- Pour déconnecter complètement l'appareil de l'alimentation électrique, la fiche pour prise murale doit être déconnectée de la prise murale.
- L'adaptateur CA/CC fourni avec cet appareil est conçu pour être orienté correctement à la verticale ou dans une position de support sur le plancher.
- N'utilisez pas des chargeurs ou des adaptateurs non autorisés. N'utilisez que le chargeur fourni avec votre appareil ou un chargeur indiqué dans la liste du guide de l'utilisateur.
- L'appareil ne doit pas être exposé à des infiltrations ou éclaboussures d'eau et aucun objet rempli de liquide – tel qu'un vase – ne doit jamais être placé sur l'appareil.
- Toujours laisser suffisamment d'espace autour de l'appareil pour assurer la ventilation. Ne pas placer l'appareil sur un lit, un tapis ou sur un étage ou dans un meuble qui pourrait bloquer les ouvertures de ventilation.
- Ne pas placer de chandelles, de cigarettes, de cigares, etc, sur l'appareil.



AVERTISSEMENT: AFIN DE PREVENIR INCENDI OU DANGER DE CHOC ELECTRIQUE, NE POSEZ PAS CE PRODUIT A LA FLUË OU A L'UMIDITE.

Cet appareil est un appareil électrique de classe II ou à double isolation. Il a été conçu de manière à ce qu'il ne nécessite pas de mise à la terre comme mesure de sûreté.

Branchement

ALIMENTATION COURANT ALTERNATIF : 120 V – 60 Hz

Le courant est acheminé à l'appareil même lorsqu'il n'est pas en état de marche. Pour éteindre le courant, le ordon d'alimentation doit être débranché.

Précautions importantes concernant la pile

- Toute pile peut présenter un risque d'incendie, d'explosion ou de brûlure chimique si elle n'est pas manipulée avec soin. N'essayez pas de recharger une pile qui n'est pas conçue pour être rechargée; n'essayez pas de l'incinérer ou de la percer.
- Les piles non rechargeables, comme les piles alcalines, peuvent couler si elles sont laissées dans votre appareil pendant une longue période. Retirez les piles de l'appareil si vous ne l'utilisez pas pendant plus d'un mois.
- Si votre appareil utilise plus d'une pile, ne mélangez pas les types de pile et assurez-vous qu'elles sont installées correctement. Si différents types de piles sont mélangés ou si elles sont installées incorrectement, elles pourraient couler.
- Jetez immédiatement les piles déformées ou qui coulent. Les piles

qui coulent peuvent causer des brûlures et d'autres blessures.

- Aidez à protéger l'environnement en recyclant ou en disposant des piles selon les réglementations fédérales, provinciales et locales.

Environnement

Aidez à protéger l'environnement; nous vous recommandons de disposer des piles en les déposant dans les endroits prévus pour les recevoir.

Archives

Selon certaines lois provinciales, et au cas où vous aviez besoin de service, il se peut que vous ayez besoin du numéro de modèle et du numéro de série. Dans l'espace ci-dessous, enregistrez la date et l'endroit d'achat, ainsi que le numéro de série:

No. de modèle:
Date d'achat
Endroit d'achat
No. de série

Spécifications techniques

Produit: Radio-réveil
Marque: RCA
Modèle: RC60

Consommation de courant:

Source d'alimentation: 120 V – 60 Hz
Consommation d'énergie: 8 Watts

Information FCC

Information FCC

Cet appareil a été testé et fonctionne à l'intérieur des limites déterminées pour les appareils numériques de Classe B, en vertu de la section 15 des règlements de la FCC. Ces normes sont conçues pour fournir une protection raisonnable contre l'interférence nuisible dans les installations domestiques. Cet appareil génère, utilise et peut émettre de l'énergie sous forme de fréquences radio et, s'il n'est pas installé conformément aux instructions, peut causer de l'interférence nuisible pour les communications radio. Cependant, il n'est pas assuré que l'interférence ne se produira pas dans une installation spécifique.

- Si cet appareil cause de l'interférence nuisible à la réception de signaux de radio ou de télévision, ce qui peut être évité en fermant et en allumant l'appareil, l'utilisateur est invité à corriger cette interférence par une ou plusieurs des mesures suivantes:
 - Réorienter ou déplacer de l'antenne de réception.
 - Augmenter de la distance entre l'appareil et le récepteur.
 - Brancher de l'appareil dans une prise murale faisant partie d'un circuit d'alimentation électrique autre que celui du récepteur.
 - Consultez votre revendeur ou un technicien radiotélévision compétent pour obtenir de l'aide.

Selon les exigences de la FCC, tout changement ou modification non expressément approuvé par le fabricant pourrait annuler l'autorisation accordée à l'utilisateur d'utiliser cet appareil.

This Class B digital apparatus complies with Canadian ICES-003. Cet appareil numérique de la class B est conforme à la norme NMB-003 du Canada.

Les illustrations de cette publication sont fournies à titre indicatif seulement et sont sujettes à changement.

Les descriptions et les caractéristiques décrites dans ce document représentent une indication générale et ne constitue pas une garantie. Afin d'offrir la meilleure qualité de produit possible, nous nous réservons le droit de faire toute amélioration ou modification et ce, sans préavis.

Avant de commencer

Branchement pour l'alimentation

Insérez la fiche de l'appareil dans une prise électrique CA.

Consultez la rubrique "Horloge" et suivez les instructions pour que l'heure de l'horloge s'affiche correctement avec la fonction de réglage automatique de l'horloge.

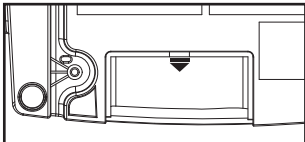
Pile de secours

Ce radio-réveil est muni d'un système de mémorisation qui peut être alimenté par une pile alcaline de neuf volts. Ce circuit de protection en cas de coupure de courant n'est opérationnel qu'après installation de la pile de secours. Lorsque le courant est coupé ou le cordon d'alimentation Courant Alternatif est débranché, la pile de secours permet d'alimenter le radio-réveil et ainsi garder en mémoire l'heure courante et les réglages de l'alarme sauvegardés en mémoire. Lorsque la pile de secours est opérationnelle, la fonction d'alarme est active en cas de coupure de courant si la puissance de la pile est suffisante. L'appareil retourne au mode de fonctionnement normal lorsque le courant alternatif est rétabli et il n'est pas nécessaire de procéder de nouveau au réglage de l'horloge et de l'alarme.

Pour installer ou remplacer la pile :

- Retirez le couvercle du

compartiment (situé sous la radio) en exerçant une pression avec le pouce sur la languette du couvercle puis soulevez le couvercle et retirez-le.



- Insérez ou remplacez une pile de neuf volts (non fournie).
- Remplacez le couvercle du compartiment.

- Nous vous recommandons de brancher l'appareil dans une source d'alimentation CA lorsque vous remplacez les piles de manière à éviter de perdre les réglages de l'horloge et de l'heure et du mode du réveil.

Indicateur de panne de courant

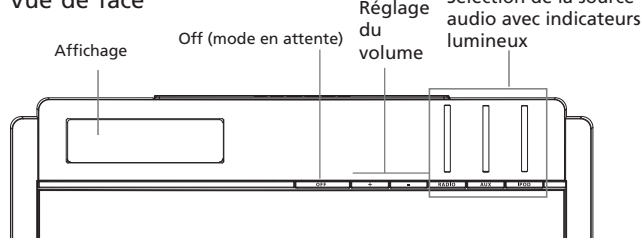
Lorsque l'alimentation CA est interrompue (ou débranchée) pour une courte période de temps, les réglages de l'horloge et de l'alarme seront modifiés (sauf si une pile est installée). Lorsque l'alimentation CA est rétablie (ou rebranchée), l'affichage

numérique clignote pour indiquer que l'alimentation a été interrompue et que vous devez régler l'horloge et l'alarme à nouveau.

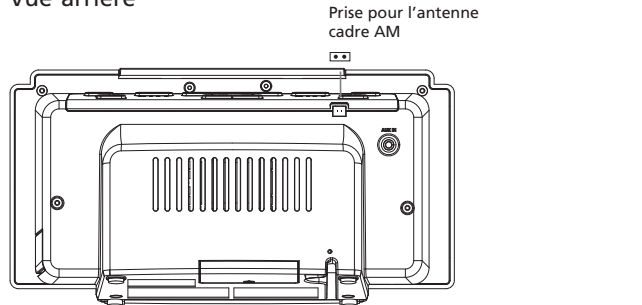
Les piles alcalines (6LR61/NEDA 1604A) sont recommandées. Vous pouvez utiliser une pile standard carbone-zinc, mais la durée de mémorisation sera grandement réduite. La durée de mémorisation d'une pile alcaline neuve est d'environ 8 heures (si la radio et le réveil ne sont pas utilisés), ce qui devrait suffire pour les panes de courants de courte durée. Pour préserver la durée de la pile, l'appareil devrait être toujours branché à une prise murale. Le vieillissement de la pile diminue sa capacité et pourrait entraîner la perte de mémorisation. Remplacez la pile périodiquement. La pile devrait être enlevée si l'appareil est remis pendant plus d'un mois. Une pile qui fuit peut endommager sérieusement le radio-réveil.

Contrôles généraux

Vue de face



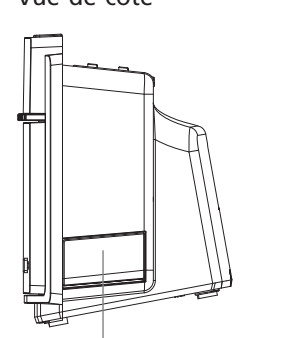
Vue arrière



Prise pour antenne-cadre AM – branche-la à l'antenne-cadre AM

AUX IN – Prise d'entrée auxiliaire

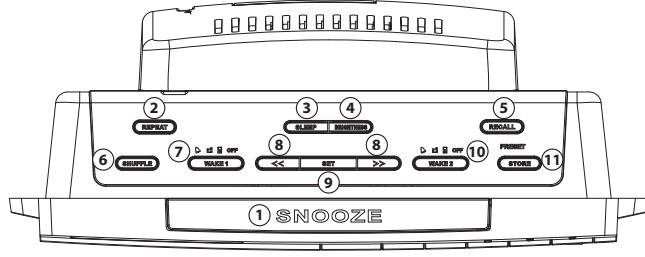
Vue de côté



Station d'accueil pour iPod/iPhone (appuyez pour ouvrir ou fermer)

Contrôles généraux

Vue du haut



- SNOOZE** – Désactivation momentanée de la fonction de réveil; désactivation de la fonction de sommeil
- REPEAT** – Sélection du mode de lecture en répétition pour le iPod/iPhone
- SLEEP** – Consultez la rubrique « Fonction de sommeil »
- BRIGHTNESS** – Réglage de la luminosité de l'affichage
- RECALL** – Rappel de stations radio préréglées
- SHUFFLE** – Sélection du mode de la lecture aléatoire pour le iPod/iPhone
- WAKE 1** – Activation ou modification des réglages du Réveil 1
- << ou >>** – Balayage des fréquences radio; saute ou recherche d'un fichier musical sur un iPod/iPhone; réglage de l'horloge et de l'heure de réveil
- SET** – Ouverture du mode de réglage pour le réglage de l'horloge, de l'heure de réveil 1 ou 2
- WAKE 2** – Activation ou modification des réglages du Réveil 2
- STORE** – Sauvegarde de stations radio comme préréglées

Horloge

Réglage manuel de l'horloge

- Appuyez sur **SET** situé sur le dessus de l'appareil jusqu'à ce que l'icône de réglage de l'horloge clignote sur l'affichage.

- Appuyez sur << ou >> situé sur le dessus de l'appareil pour régler l'horloge. La valeur diminue ou augmente plus rapidement si vous appuyez et gardez les touches enfoncées.

- L'icône de réglage de l'horloge clignote pendant le réglage de l'horloge. L'icône AM ou PM s'affiche aussi à côté de l'heure.



- Pour sauvegarder et quitter le réglage de l'horloge, attendez environ cinq secondes ou appuyez sur **SET** jusqu'à ce que l'icône de réglage de l'horloge s'éteigne et que les icônes de réglage des réveils / (/) soient éteintes ou cessent de clignoter.

Radio

Écoute de la radio

Pour démarrer ou fermer la radio :

- Appuyez sur **RADIO** situé à l'avant de l'appareil pour démarrer la radio.
- L'icône du mode radio () s'allume sur l'affichage.
- Appuyez sur **OFF** pour fermer la radio, ou appuyez sur **AUX** ou **iPOD** pour sélectionner une autre source audio.

Pour sélectionner la bande radio :

- En mode radio, appuyez sur **RADIO** pour sélectionner la bande radio (AM/FM).
- L'icône de la bande radio sélectionnée s'allume sur l'affichage.

Pour syntoniser une fréquence :

- Appuyez sur << ou >>. La fréquence syntonisée s'affiche.
- Appuyez et gardez enfoncé la touche pour rechercher la prochaine station de radio disponible.

Antenne CAF intégré

Le contrôle de fréquence automatique (CAF) intégré ne fonctionne que sur la bande FM. Il aide à réduire la dérive de la réception FM et à garder la radio sur la station FM sur lequel il est syntonisé.

Antenne AM

Pour capter la bande AM, branchez l'antenne cadre AM à l'arrière de la radio. Assurez-vous que le cordon d'antenne soit étendu sur toute sa longueur. Tournez l'antenne cadre AM pour obtenir une meilleure réception.

Stations préréglées

Pour sauvegarder une station comme préréglée :

- Syntonisez une station de radio.
- Appuyez sur **STORE**.
- Un emplacement de préréglage disponible (p. ex.,) s'affiche.
- Appuyez sur << ou >> (ou sur **RECALL**) pour sélectionner l'emplacement de préréglage désiré (01 à 20).
- Appuyez sur **STORE**.
- s'affiche pour confirmer.
- Vous pouvez sauvegarder jusqu'à 20 stations comme préréglées.

Pour rappeler une station préréglée:

- En mode radio, appuyez sur **RECALL**.
- Le numéro de la station préréglée s'affiche.

- Appuyez sur << ou >> (ou sur **RECALL**) pour sélectionner la station préréglée désirée.

Source auxiliaire

Pour sélectionner le mode auxiliaire:

- Brancher la source externe (p. ex., un lecteur mp3) à l'entrée AUX située à l'arrière de l'appareil avec un câble audio (non fourni).
- Appuyez sur le bouton **AUX** pour allumer l'appareil ou pour passer au mode AUX à partir d'un autre mode.
- L'icône du mode auxiliaire (**AUX**) s'allume sur l'affichage.
- Réglez le volume du lecteur auxiliaire à mi-course et réglez le volume de l'appareil. Ne réglez pas le volume du lecteur auxiliaire à une position élevée parce que cela peut détériorer la qualité du son. Utilisez les commandes du lecteur auxiliaire pour toutes les autres fonctions de lecture.

Fonction de réveil

Réglage de l'heure de réveil

Cet appareil permet de régler deux heures de réveil.

- Appuyez sur **SET** situé sur le dessus de l'appareil jusqu'à ce qu'une des icônes WAKE 1 () ou WAKE 2 () clignote sur l'affichage.

- Appuyez sur << ou >> situé sur le dessus de l'appareil pour régler l'heure de réveil. La valeur diminue ou augmente plus rapidement si vous appuyez et gardez les touches enfoncées.



- Pour sauvegarder et quitter le réglage du réveil, attendez environ cinq secondes ou appuyez sur **SET** jusqu'à ce que l'icône de réglage de l'horloge () s'éteigne et que les icônes de réglage des réveils (/) (/) soient éteintes ou cessent de clignoter.
- Pour vérifier l'heure de réveil après l'avoir réglée, appuyez sur **SET** jusqu'à ce qu'une des icônes WAKE 1 (/) ou WAKE 2 (/) clignote et que l'heure de réveil correspondante s'affiche.

Sélection de la source du réveil

Vous pouvez choisir d'être réveillé par l'alarme, la radio ou la musique d'un iPod/iPhone.

- Sélectionnez une heure de réveil (voir les instructions ci-dessus).

- Appuyez sur **WAKE 1** ou **WAKE 2** pour sélectionner un mode de réveil. L'icône correspondante s'allume à l'avant de l'appareil.

- Réveil 1 par l'alarme
- Réveil 1 par la radio
- Réveil 1 par le iPod/iPhone
- Réveil 2 par l'alarme
- Réveil 2 par la radio
- Réveil 2 par le iPod/iPhone

Si le réveil par l'alarme (/) est sélectionné :

- Cet appareil est doté de la caractéristique **GRAD-U-WAKE**; le volume de l'alarme augmente graduellement jusqu'à son maximum au bout de 30 ou 45 secondes.
- Si vous réglez la fonction de réveil à bas volume avant d'aller au lit, nous vous suggérons d'opter pour le réveil par tonalité d'alarme puisque le volume augmentera automatiquement.

Si le réveil par la radio (/) est sélectionné :

- Sélectionnez la station de radio pour le réveil (consultez la rubrique

"Écoute de la radio"). Si aucune station n'est sélectionnée, la dernière station radio que vous avez écoutée sera sélectionnée.

- Réglez le volume au niveau désiré.
- Appuyez sur **OFF** pour fermer l'appareil.

Si le réveil par le iPod/iPhone (/) est sélectionné :

- Réglez le volume au niveau désiré. Le dernier fichier du iPod qui a été lu sera joué lorsque la fonction de réveil sera activée.
- Appuyez sur **OFF** pour fermer l'appareil.

Remarque : Si aucun iPod/iPhone n'est branché, la tonalité d'alarme sonnera même si le mode de réveil par le iPod est sélectionné.

- Lorsque la fonction de réveil s'active, l'icône de réveil correspondante clignote jusqu'à ce que la fonction de réveil soit désactivée. Lorsqu'elle est désactivée, l'icône cesse de clignoter et demeure allumée.
- Lorsque l'alimentation CA est débranchée, tous les modes de réveil sont rétablis en mode d'alarme.

Arrêt de l'alarme ou de la radio

Pour arrêter la fonction de réveil temporairement :

- Appuyez sur **SNOOZE**. L'alarme sonnera à nouveau lorsque la période de rappel est terminée. La période de rappel est de neuf minutes.

Pour désactiver le réveil par l'alarme ou la radio :

- Appuyez sur **OFF**. Le réveil par l'alarme ou la radio s'active à nouveau le lendemain, à moins de désactiver complètement la fonction de réveil.

Pour désactiver complètement la fonction de réveil :

- Appuyez à plusieurs reprises sur **WAKE 1** ou **WAKE 2** jusqu'à ce qu'aucune des icônes de réveil correspondantes (/) ne soit affichée.

Fonction de sommeil

Le mode de sommeil permet de régler les modes Radio, iPod ou AUX pour qu'ils s'activent pendant une certaine période avant de se fermer automatiquement.

Pour régler la période de sommeil :

- Appuyez à plusieurs reprises sur **SLEEP** pour basculer entre les périodes de sommeil disponibles (90 min, 60 min, 30 min, 15 min et OFF. La période de sommeil par défaut est de 90 min.)
- L'icône clignote pendant la sélection.

Pour régler la période de sommeil :

- Lorsque vous avez sélectionné la période de sommeil désirée, relâchez **SLEEP** et attendez environ cinq secondes; la période de sommeil est maintenant réglée.
- L'icône s'allume sur l'affichage.

Pour écouter la radio :

- La radio démarre par défaut. Sinon, appuyez sur **RADIO** et sélectionnez une station de radio normalement.

Pour écouter le iPod/iPhone :

- Appuyez sur **iPOD** puis sur << ou >> pour sélectionner un fichier sur le iPod/iPhone. La lecture est automatiquement en mode de répétition de tous les fichiers.

Pour les consommateurs canadiens, veuillez envoyer votre appareil à :

AudiOVOX Return Centre
c/o Genco
6685 Kennedy Road,
Unit#33, Door 16,
Mississauga, Ontario
L5T 3A5

Pour les consommateurs canadiens, veuillez envoyer votre appareil à :

AudiOVOX Electronics Corp.
Attn : Service Department,
150 Marcus Blvd.,
Hauptpaape N.Y. 11788
1-877-833-3491

- Assurez-vous votre envoi contre la perte ou les dommages. AudiOVOX refuse toute responsabilité en cas de dommages ou de perte lors du transport vers AudiOVOX.
- Payez les frais qui vous sont facturés par le Centre d'échange pour les réparations qui ne sont pas couvertes par la garantie.
- Un nouvel appareil ou un appareil remis à neuf vous sera envoyé avec le port prépayé.

Ce que nous ferons :

Nous vous fournissons un nouvel appareil ou, à notre discrétion, un appareil remis à neuf. L'appareil échangé est sous garantie pour la durée restante de la période de garantie de l'appareil original.

Garantie limitée

Garantie limitée

S'applique aux appareils RCA audiovidéo

AUDIOVOX ELECTRONICS CORP. (la Compagnie) garantit au premier acheteur au détail de cet appareil, que cet appareil ou toute partie de ce dernier, dans des conditions d'utilisation normales, ne possède aucune défectuosité matérielle ou de main d'œuvre pendant les douze (12) mois suivant la date du premier achat; une telle défectuosité sera réparée ou remplacée par un appareil remis en état (à la discrétion de la Compagnie) sans frais pour les pièces et la main d'œuvre.

Pour obtenir une réparation ou un remplacement selon les conditions de cette Garantie, l'appareil doit être envoyé avec une preuve de garantie (p. ex., une facture datée de l'achat), une description de la(s) défectuosité(s) et le port payé à la Compagnie à l'adresse indiquée ci-dessous.

Cette Garantie ne couvre pas l'élimination des bruits ou parasites externes, la solution de problèmes d'antenne, la perte/l'absence de transmissions ou de l'accès à Internet, les coûts de l'installation, de la désinstallation ou de la réinstallation de l'appareil, les altérations causées par un virus informatique, un logiciel espion ou

tout autre programme malveillant, la perte de média, de fichiers, de données ou de contenus, les dommages causés à des cassettes, des disques, des dispositifs ou des cartes de mémoire amovibles, des haut-parleurs, des accessoires, des ordinateurs, des périphériques d'ordinateurs, d'autres lecteurs multimédia, des réseaux résidentiels ou des systèmes électriques de véhicule.

Cette Garantie ne s'applique pas à l'appareil ou à toute partie de ce dernier qui, selon

Free Manuals Download Website

<http://myh66.com>

<http://usermanuals.us>

<http://www.somanuals.com>

<http://www.4manuals.cc>

<http://www.manual-lib.com>

<http://www.404manual.com>

<http://www.luxmanual.com>

<http://aubethermostatmanual.com>

Golf course search by state

<http://golfingnear.com>

Email search by domain

<http://emailbydomain.com>

Auto manuals search

<http://auto.somanuals.com>

TV manuals search

<http://tv.somanuals.com>