



RMW713-WHITE
RMW713-BLACK

0.7 Cu.ft. electronic microwave

Instruction Manual



Thank you for your purchase of this RCA product. Please read this Instruction Manual carefully before using product to ensure proper use. Keep this manual in a safe place for future reference.

RCA IS A TRADEMARK OF THOMSON
USED UNDER LICENSE TO C.I.LTD,
315 ATTWELL DRIVE, TORONTO, ONT. M9W 5C1, CANADA.

Imported by/Importee par:
C.I.LTD, TORONTO, ONT, M9W 5C1
Made in China/ Fabrique en chine

PRECAUTIONS TO AVOID POSSIBLE EXPOSURE TO EXCESSIVE MICROWAVE ENERGY

- (a) Do not attempt to operate this oven with the door open since this can result in harmful exposure to microwave energy. It is important not to break or tamper with the safety interlocks.
- (b) Do not place any object between the oven front face and the door or allow soil or cleaner residue to accumulate on sealing surfaces.
- (c) Do not operate the oven if it is damaged. It is particularly important that the oven door closes properly and that there is no damage to the:
 - (1) DOOR (bent)
 - (2) HINGES AND LATCHES (broken or loosened)
 - (3) DOOR SEALS AND SEALING SURFACE
- (d) The oven should not be adjusted or repaired by anyone except properly qualified service personnel.

ADDENDUM

If the apparatus is not maintained in a good state of cleanliness, its surface could be degraded and affect the lifespan of the apparatus and lead to a dangerous situation.

Specifications

Model:	RMW713-WHITE \ RMW713-BLACK
Rated Voltage:	120V~ 60Hz
Rated Input Power(Microwave):	1050W
Rated Output Power(Microwave):	700W
Oven Capacity:	0.7 Cu.ft.
Turntable Diameter:	Ø 9.6 inch
External Dimensions:	17.3X13.1X10.2 inch
Net Weight:	Approx. 22 Lbs
Warning:	Handling the cord on this press or cords associated with accessories sold with this product, will expose you to lead a chemical known to the state of California to cause cancer, and birth defects or other reproductive harm. Wash hands after handle.

SAFETY

1. The oven must be on a leveled surface.
2. The turntable and turntable roller rest must be in the oven during cooking. Place the cookware gently on the turntable and handle it carefully to avoid possible breakage.
3. Incorrect use of browning dish may cause the turntable to break.
4. Use only the specified bag size when using Direct Access Popcorn.
5. The oven has several built-in safety switches to ensure that the power remains off when the door is open. Do not tamper with these switches.
6. Do not operate the microwave oven empty. Operating the oven with no food or food that is extremely low in moisture can cause fire, charring or sparking.
7. Do not cook bacon directly on the turntable. Excessive local heating of the turntable may cause the turntable to break.
8. Do not heat baby bottles or baby food in the microwave oven. Uneven heating may occur and could cause physical injury.
9. Do not heat narrow-necked containers, such as syrup bottles.
10. Do not attempt to deep-fry in your microwave oven.
11. Do not attempt home canning in this microwave oven, as it is impossible to be sure all contents of the jar have reached boiling temperature.
12. Do not use this microwave oven for commercial purpose. This microwave oven is made for household use only.
13. To prevent delayed eruptive boiling of hot liquids and beverages or scalding yourself, stir liquid before placing the container in the oven and again halfway through cooking time. Let stand in the oven for a short time and stir again before removing the container.
14. Use carefully when cooking food in the microwave oven to avoid burning due to excessive cooking.
15. When the appliance is operated in the combination mode, children should only use the oven under adult supervision due to the temperatures generated.
16. Failure to maintain the oven in a clean condition could lead to deterioration that could adversely affect the life of the appliance and possibly result in a hazardous situation.

IMPORTANT SAFETY INSTRUCTIONS

WARNING

To reduce the risk of fire, electric shock, injury to persons or exposure to excessive microwave oven energy when using your appliance, follow basic precautions, including the following:

1. Read all instructions before using the appliance.
2. Read and follow the specific: "PRECAUTIONS TO AVOID POSSIBLE EXPOSURE TO EXCESSIVE MICROWAVE ENERGY" on page 2.
3. As with most cooking appliances, close supervision is necessary to reduce the risk of a fire in the oven cavity.
If materials inside the oven ignite:
 1. Keep the oven door closed.
 2. Turn the oven off, and unplug the appliance.
 3. Disconnect the power cord, shut off power at the fuse or circuit breaker panel.
 4. Do not overcook food. Carefully attend the appliance when paper, plastic, or other combustible materials are placed inside the oven to facilitate cooking.
 5. Do not use the oven cavity for storage purposes. Do not store combustible items such as bread, cookies, paper products, etc. inside the oven.
 6. Remove wire twist-ties and metal handles from paper or plastic containers/bags before placing them in the oven.
 7. This oven must be grounded. Connect only to properly grounded outlet. See "GROUNDING INSTRUCTIONS" on page 5.
 8. Install or locate this oven only in accordance with the installation instructions provided.
 9. Some products such as whole eggs and sealed containers - for example, closed glass jars - are able to explode and should not be heated in this oven.
10. Use this appliance only for its intended uses as described in this manual. Do not use corrosive chemicals or vapors in this appliance. This oven is specifically designed to heat or cook food. It is not designed for industrial or laboratory use.
11. As with any appliance, close supervision is necessary when used by children.
12. Do not operate this oven if it has a damaged cord or plug, if it is not working properly or if it has been damaged or dropped.
13. This appliance should be serviced only by qualified service technicians. Contact the nearest authorized service facility for examination, repair or adjustment.
14. Do not cover or block any vents on the oven.
15. Do not store or use this appliance outdoors.
16. Do not use this oven near water, for example, near a kitchen sink, in a wet basement, near a swimming pool, or similar locations.
17. Do not immerse cord or plug in water.
18. Keep cord away from heated surfaces.
19. Do not let cord hang over edge of table or counter.
20. When cleaning door and oven surfaces use only mild, nonabrasive soaps or detergents applied with a sponge or soft cloth.

21. Liquids, such as water, coffee, or tea are able to be overheated beyond the boiling point without appearing to be boiling. Visible bubbling or boiling when the container is removed from the microwave oven is not always present. THIS COULD RESULT IN VERY HOT LIQUIDS SUDDENLY BOILING OVER WHEN THE CONTAINER IS DISTURBED OR A SPOON OR OTHER UTENSIL IS INSERTED INTO THE LIQUID.
- i) Do not overheat the liquid.
 - ii) Stir the liquid both before and halfway through heating it.
 - iii) Do not use straight-sided containers with narrow necks.
 - iv) After heating, allow the container to stand in the microwave oven for a short time before removing the container.
 - v) Use extreme care when inserting a spoon or other utensil into the container.
22. To reduce the risk of fire in the oven cavity:
- i) Do not overcook food. Carefully attend appliance when paper, plastic, or other combustible materials are placed inside the oven to facilitate cooking.
 - ii) Remove wire twist-ties from paper or plastic bags before placing bag in oven.
 - iii) If materials inside the oven ignite, keep oven door closed, turn oven off, and disconnect the power cord, or shut off power at the fuse or circuit breaker panel.
 - iv) Do not use the cavity for storage purposes. Do not leave paper products, cooking utensils, or food in the cavity when not in use.

SAVE THESE INSTRUCTIONS

GROUNDING INSTRUCTIONS

DANGER

Electric Shock Hazard

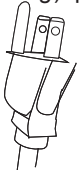
Touching some of the internal components can cause serious personal injury or death. Do not disassemble this appliance.

WARNING

Electric Shock Hazard

Improper use of the grounding can result in electric shock. Do not plug into an outlet until appliance is properly installed and grounded.

Three-pronged
(grounding) plug



This appliance must be grounded. In the event of an electrical short circuit, grounding reduces the risk of electric shock by providing an escape wire for the electric current. This appliance is equipped with a cord having grounding wire with a grounding plug. The plug must be

plugged into an outlet that is properly installed and grounded.

Consult a qualified electrician or serviceman if the grounding instructions are not completely understood or if doubt exists as to whether the appliance is properly grounded. If it is necessary to use an extension cord, use only a 3-wire extension cord that has a 3-pronged grounding plug, and a 3-slot receptacle that will accept the plug on the appliance. The marked rating of the extension cord shall be equal to or greater than the electrical rating of the appliance.

1. A short power-supply cord is provided to reduce the risks resulting from becoming entangled in or tripping over a longer cord.
2. Longer cord sets or extension cord is provided to reduce the risks resulting from becoming entangled in or tripping over a longer cord.
3. If a long cord sets or extension cord is used:
 - 1) The marked electrical rating of the cord set or extension marked electrical rating of the cord set or extension cord should be at least as great as the electrical rating of the appliance.
 - 2) The extension cord must be a grounding-type 3-wire cord.
 - 3) The longer cord should be arranged so that it will not drape over the countertop or tabletop where it can be pulled on by children or tripped over unintentionally.

UTENSILS

See the instructions on "Materials you can use in microwave oven or to be avoided in microwave oven." There may be certain non-metallic utensils that are not safe to use for microwaving. If in doubt, you can test the utensil in question following the procedure below.

CAUTION

Personal Injury Hazard

Tightly-closed utensils could explode. Closed containers should be opened and plastic pouches should be pierced before cooking.

Utensil Test:

1. Fill a microwave-safe container with 1 cup of cold water (250ml) along with the utensil in question.
2. Cook on maximum power for 1 minute.
3. Carefully feel the utensil. If the empty utensil is warm, do not use it for microwave cooking.
4. Do not exceed 1 minute cooking time.

Materials you can use in microwave oven

Utensils Remarks

Aluminum foil	Shielding only. Small smooth pieces can be used to cover thin parts of meat or poultry to prevent overcooking. Arcing can occur if foil is too close to oven walls. The foil should be at least 1 inch (2.5cm) away from oven walls.
Browning dish	Follow manufacturer's instructions. The bottom of browning dish must be at least 3/16 inch (5mm) above the turntable. Incorrect usage may cause the turntable to break.
Dinnerware	Microwave-safe only. Follow manufacturer's instructions. Do not use cracked or chipped dishes.
Glass jars	Always remove lid. Use only to heat food until just warm. Most glass jars are not heat resistant and may break.
Glassware	Heat-resistant oven glassware only. Make sure there is no metallic trim. Do not use cracked or chipped dishes.
Oven cooking bags	Follow manufacturer's instructions. Do not close with metal tie. Make slits to allow steam to escape.
Paper plates and cups	Use for short-term cooking/warming only. Do not leave oven unattended while cooking.
Paper towels	Use to cover food for reheating and absorbing fat. Use with supervision for a short-term cooking only.
Parchment paper	Use as a cover to prevent splattering or a wrap for steaming.
Plastic	Microwave-safe only. Follow the manufacturer's instructions. Should be labeled "Microwave Safe". Some plastic containers soften, as the food inside gets hot. "Boiling bags" and tightly closed plastic bags should be slit, pierced or vented as directed by package.
Plastic wrap	Microwave-safe only. Use to cover food during cooking to retain moisture. Do not allow plastic wrap to touch food.
Thermometers	Microwave-safe only (meat and candy thermometers).
Wax paper	Use as a cover to prevent splattering and retain moisture.

Materials to be avoided in microwave oven

Utensils Remarks

Aluminum tray	May cause arcing. Transfer food into microwave-safe dish.
Food carton with metal handle	May cause arcing. Transfer food into microwave-safe dish.
Metal or metal-trimmed utensils	Metal shields the food from microwave energy. Metal trim may cause arcing.
Metal twist ties	May cause arcing and could cause a fire in the oven.
Paper bags	May cause a fire in the oven.
Plastic foam	Plastic foam may melt or contaminate the liquid inside when exposed to high temperature.
Wood	Wood will dry out when used in the microwave oven and may split or crack.

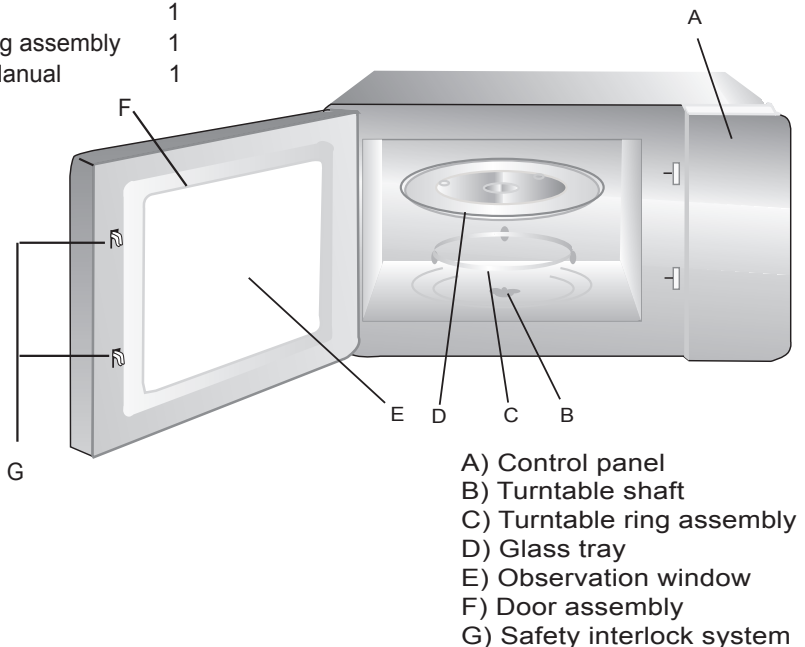
SETTING UP YOUR OVEN

Names of Oven Parts and Accessories

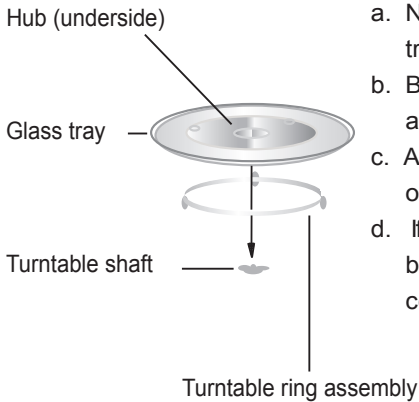
Remove the oven and all materials from the carton and oven cavity.

Your oven comes with the following accessories:

Glass tray	1
Turntable ring assembly	1
Instruction Manual	1



Turntable Installation



- Never place the glass tray upside down. The glass tray should never be restricted.
- Both glass tray and turntable ring assembly must always be used during cooking.
- All food and containers of food are always placed on the glass tray for cooking.
- If glass tray or turntable ring assembly cracks or breaks, contact your nearest authorized service center.

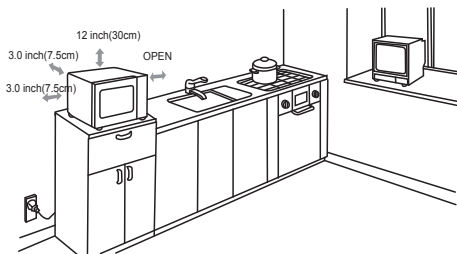
Countertop Installation

Remove all packing material and accessories. Examine the oven for any damage such as dents or broken door. Do not install if oven is damaged.

Cabinet: Remove any protective film found on the microwave oven cabinet surface. Do not remove the light brown Mica cover that is attached to the oven cavity to protect the magnetron.

Installation

1. Select a level surface that provide enough open space for the intake and/or outlet vents.



- (3) Blocking the intake and/or outlet openings can damage the oven.
- (4) Place the oven as far away from radios and TV as possible. Operation of microwave oven may cause interference to your radio or TV reception.

2. Plug your oven into a standard household outlet. Be sure the voltage and the frequency is the same as the voltage and the frequency on the rating label.

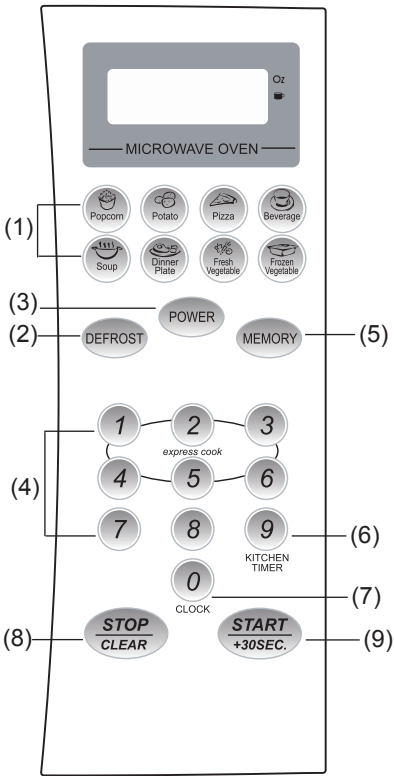
A minimum clearance of 3.0 inches (7.5cm) is required between the oven and any adjacent walls. One side must be open.

- (1) Leave a minimum clearance of 12 inches (30cm) above the oven.
- (2) Do not remove the legs from the bottom of the oven.

WARNING: Do not install oven over a range cooktop or other heat-producing appliance. If installed near or over a heat source, the oven could be damaged and the warranty would be void.

OPERATION

Control Panel and Features



- (1) Auto Menu
- (2) Defrost
- (3) Power
- (4) Number Keys
- (5) Memory
- (6) Kitchen Timer
- (7) Clock
- (8) Stop/Clear: clear all previous settings pressed before cooking starts. During cooking: press once to stop oven; twice to stop and clear all entries.
- (9) Start/+30Sec.

OPERATION

1. Clock Setting

When the microwave oven is plugged into a outlet, the oven will display " 0:00 "

- (1) Press " 0/CLOCK ", LED will display 00:00.The hour figures will flash;
- (2) Press the number keys and enter the correct time. Time input should be 1:00-12:59.
For example, time is 10:12 now, please press " 1,0,1,2" in turn.
- (3) Press " START/+30SEC. " to aonfirm and finish clock setting. And time will be light.

Note:

- (1) If time input is beyond 1:00-12:59, the setting is invalid. You cannot confirm and finish the setting by pressing "START/+30SEC.".
- (2) If you want to reset the clock, please repeat step 1 to step 3. If you forget to press "START/+30SEC." finally, the previous clock will be display after one minute.

2. Kitchen Timer

- (1) Press " 9/KITCHEN TIMER ", LED will display 00:00. The frist "0" will flash; ":" and the other "0" will be lighted.
- (2) Press the number keys and enter the correct time.(the maximum cooking time is 99 minutes and 99 seconds)
- (3) Press " START/+30SEC. " to confirm setting.
- (4) When the kitchen time is reached, the buzzer will ring 5 times and the oven turn back to waiting states. If the clock be set(12-hour system), LED will display the current time.

Note: Kitchen Timer is a timer.

3. Microwave cook

Ten power levels are available.

Level	10	9	8	7	6	5	4	3	2	1
Power	100%	90%	80%	70%	60%	50%	40%	30%	20%	10%
Display	PL10	PL9	PL8	PL7	PL6	PL5	PL4	PL3	PL2	PL1

- (1) Keep on pressing " POWER " to choose the microwave power you need.
"PL10", "PL9", "PL8"....."PL1" will be displayed in order.
- (2) Press number keys to input the cooking time; the maximum cooking time is 99 minutes and 99 seconds.
- (3) Press " START/+30SEC. " to start cooking, and the remained cooking time will be displayed.

Note: In the process of cooking, if the " STOP/CLEAR " button is pressed or if there is no operation within 1 minute, the oven will go back to the former setting automatically.

Example: to cook the food with 50% microwave power for 15 minutes:

- (1) Press "POWER" six times until "PL5" displays.
- (2) Input the cooking time. Press "1","5","0","0" to set the time;
- (3) Press "START/+30SEC." to start cooking.

4. Fast Starting

- (1) In waiting state, instant cooking at 100% power level can be started by select a cooking time from 1 to 6 minutes by pressing number pad 1 to 6. Press " START/+30SEC. " to increase the cooking time; the maximum cooking time is 99 minutes and 99 seconds.
- (2) In waiting state, instant cooking at 100% power level with 30 seconds' cooking time can be started by pressing " START/+30SEC. ". Each press on the same button will increase cooking time by 30 seconds. the maximum cooking time is 99 minutes and 99 seconds.

Note: Each press on " START/+30SEC." can increase the cooking by 30 seconds for the microwave and Auto menu cooking. However, the operation will not work under "Weight Defrost" operation.

5. Defrosting By W.T. Function

- (1) Press " DEFROST " once to choose defrost by weight function, "dEF1" is displayed;
- (2) Press numerical pads to input weight to be defrosted. Weight ranged should be between 4~100 Oz.
- (3) If the weight input is not within 4~100, the input will be invalid. And the microwave will not work until valid numbers are input .
- (4) Press " START/+30SEC. " to start defrosting and the remained cooking time will be displayed.

6. Time Defrost Function

- (1) Press " DEFROST " twice to choose defrost by time function, Screen will display "dEF2".
- (2) Press number pads to input defrosting time. The effective time range is 00:01~99:99
Note:(a) If the time input is not within 00:01~99:99, no "beep" will be sound and the microwave will not work until valid numbers are input.
(b) The default microwave power is power level 3. It cannot be changed.
- (3) Press " START/+30SEC. " to start defrosting. The remained cooking time will be displayed.

7.POPCORN

- a) Press " POPCORN " repeatedly until the number you wish appears in the display, "1.75", " 3.0" and "3.5" will be displayed in order.
For example, press "POPCORN" once : "1.75" displays.
- b) Press " START/+30 SEC. " to cook, time counts down.
- c) When cooking finish, buzzer sounds five times, then turn back to waiting states. "0:00" displays. If the clock has been set ,current time will be displayed.

Times(Press "Popcorn")	Weight(Oz)	Display
Once	1.75	1.75
Twice	3.0	3.0
Thrice	3.5	3.5

8.POTATO

- a)Press " POTATO " repeatedly until the number you wish appears in the display, "1", " 2 " or "3" will be displayed in order.
"1"SET: 1 potato (approximate 230 gram)
"2"SET: 2 potatoes (approximate 460 gram)
"3"SET: 3 potatoes (approximate 690 gram)
For example, press "POTATO" once : "1" displays.
- b) Press " START/+30 SEC. " to cook, time counts down.
- c) When cooking finish, buzzer sounds five times, then turn back to waiting states.

Times(Press "Potato")	Weight	Display
Once	1set	1
Twice	2set	2
Thrice	3set	3

9. PIZZA

- a) Press " PIZZA " repeatedly until the number you wish appears in the display. " 1 "," 2" or "3" will be displayed.
For example, press" PIZZA " twice, "2" appears in the LED.
- b) Press " START/+30 SEC." to cook, time counts down.

Times(Press "Pizza")	Weight	Display
Once	1(about 3.0 Oz)	1
Twice	2(about 6.0 Oz)	2
Thrice	3(about 9.0 Oz)	3

10. BEVERAGE

- a) Press " BEVERAGE " repeatedly until the number you wish appears in the display, "1", " 2", " 3" will be displayed in order.
You can reheat 1~3 cups of beverage each time (approximate 250 ML).
For example, press "BEVERAGE" twice, "2" appears in the display.
- b) Press " START/+30 SEC." to cook,
- c) Buzzer sounds five times when cooking finish. Then turn back to waiting states.

Times(Press "BEVERAGE")	Weight	Display
Once	1 Mug	1
Twice	2Mugs	2
Thrice	3Mugs	3

11. SOUP

- a) Press " SOUP " repeatedly until the number you wish appears in the display, "4.0", "8.0", "12.0", "16.0" will be displayed in order.
For example, press "SOUP" twice, "8.0" appears in the display.
- b) Press " START/+30 SEC." to cook,
- c) Buzzer sounds five times when cooking finish. Then turn back to waiting states.

Times(Press "SOUP ")	Weight	Display
Once	4.0 Oz	4.0
Twice	8.0 Oz	8.0
Thrice	12.0 Oz	12.0
4 times	16.0 Oz	16.0

12. DINNER PLATE

- a) Press " DINNER PLATE " repeatedly until the number you wish appears in the display, "9.0", " 12.0 " and "18.0" will be displayed.
For example, press " DINNER PLATE " twice, "12.0" appears in the display.
- b) Press " START/+30 SEC. " to cook, time counts down.

Times(Press "DINNER PLATE")	Weight	Display
Once	9.0 Oz	9.0
Twice	12.0 Oz	12.0
Thrice	18.0 Oz	18.0

13.FRESH VEGETABLE

- a) Press " FRESH VEGETABLE " repeatedly until the number you wish appears in the display, "4.0", "8.0 " and "16.0" will be displayed in order.
For example, press " FRESH VEGETABLE " twice, "8.0" appears in the display.
- b) Press " START/+30 SEC. " to cook, time counts down.
- c) Buzzer sounds five times when cooking finish.

Times(Press "FRESH VEGETABLE")	Weight	Display
Once	4.0 Oz	4.0
Twice	8.0 Oz	8.0
Thrice	16.0 Oz	16.0


14.FROZEN VEGETABLE

- a) Press " FROZEN VEGETABLE " repeatedly until the number you wish appears in the display, 4.0", "8.0 " and "16.0" will be displayed in order.
For example, press " FROZEN VEGETABLE " twice, "8.0" appears in the display.
- b) Press " START/+30 SEC. " to cook, time counts down.
- c) Buzzer sounds five times when cooking finish.

Times(Press "FROZEN VEGETABLE")	Weight	Display
Once	4.0 Oz	4.0
Twice	8.0 Oz	8.0
Thrice	16.0 Oz	16.0

15. LOCK FUNCTION FOR CHILDREN

Lock: In waiting state, press " STOP/CLEAR " for 3 seconds, there will be a long "beep"

denoting the entering the children-lock state; meanwhile, LED will display "  "

Lock quitting: In locked state, press " STOP/CLEAR " for 3 seconds, there will be a long "beep" denoting that lock is released.

16. MEMORY FUNCTION

- (1) Press "MEMORY" to choose memory 1-3 procedure. The LED will display 1,2,3.
- (2) If the procedure has been set, press " START/ +30 SEC." to use it. If not, continue to set the procedure. Only one or two stages can be set.
- (3) After finishing the setting, press "MEMORY" to save the procedure and turn back to the waiting states. If press " START/ +30 SEC." ,it can save and operate the setting.

Note: Auto menu cooking cannot be set as memory procedure.

Example: to set the following procedure as the second memory, that is memory 2.
to cook the food with 80% microwave power for 3minutes and 20 seconds.

The steps are as follow:

- 1) In waiting states, press "MEMORY" twice, stop pressing until the screen displays "2".
- 2) Press "POWER" three times until "PL8" displays.
- 3) Press number keys "3", "2", "0" in order to input the cooking time.
- 4) Press "MEMORY" to save the setting. Buzzer sounds once then turn back to waiting states. If you press "START/+30SEC." after the above step, the procedure will be saved as the memory 2 and operated.
- 5) If the electricity is not cut off, the procedure will be saved all the time. If it is, the procedure need to reset.
- 6) If you want to run the saved procedure, in waiting states, press "MEMORY" twice, screen displays "2", then press "START/+30SEC." to run.

17. MULTI-STAGE COOKING

This microwave oven can be set with 2 stages cooking at most. If one stage is defrost by weight, it will placed at the first stage automatically. And only one stage is defrost.

Example: To defrost beef of 20 Oz first and then cook with 80% microwave power for 7 minutes.

- 1) Press "DEFROST" once to choose defrost by weight function, "dEF1" displays;
- 2) Press "2", "0" in sequence to set weight;
- 3) Press "POWER" three times to 80% microwave power;
- 4) Press "7", "0", "0" in sequence to set cooking time;
- 5) Press "START/ +30 SEC.." to start cooking.

When defrost procedure finish, the buzzer sounds once, then the second stage begins.

Note: (1) Auto menu can't be set as one of the 2 stages.

- (2) Defrost by time can be set as the one of stages.

18. INQUIRING FUNCTION

- (1) In cooking state, press " 0/CLOCK ", the LED will display clock for three seconds if the clock has been set;
- (2) In the microwave cooking state, press " POWER " to inquire microwave power level, and the current microwave power will be displayed. After three seconds, the oven will turn back to the previous state. In multi-stage state, the inquiring way can be done by the same way as above.

19. COOKING END REMINDING FUNCTION

When the cooking is over, the buzzer will sound 5 "beep" to alert user the cooking is finished.

20. OTHER SPECIFICATIONS

- (1) In standby state , if the clock has been set, screen displays current time, the " : " would flash; otherwise, it shows " 0:00 " .
- (2) In setting function state, LED displays the related setting.
- (3) In working or pause state, LED displays remained cooking time.
- (4) During operation, if the oven pause or the door is opened, "START/+30SEC." must be pressed to continue running.

Maintenance

Troubleshooting

Check your problem by using the chart below and try the solutions for each problem. If the microwave oven still does not work properly, contact the nearest authorized service center.

TROUBLE	POSSIBLE CAUSE	POSSIBLE REMEDY
Oven will not start	<ul style="list-style-type: none"> a. Electrical cord for oven is not plugged in. b. Door is open. c. Wrong operation is set. 	<ul style="list-style-type: none"> a. Plug into the outlet. b. Close the door and try again. c. Check instructions.
Arcing or sparking	<ul style="list-style-type: none"> a. Materials to be avoided in microwave oven were used. b. The oven is operated when empty. c. Spilled food remains in the cavity. 	<ul style="list-style-type: none"> a. Use microwave-safe cookware only. b. Do not operate with oven empty. c. Clean cavity with wet towel.
Unevenly cooked foods	<ul style="list-style-type: none"> a. Materials to be avoided in microwave oven were used. b. Food is not defrosted completely. c. Cooking time, power level is not suitable. d. Food is not turned or stirred. 	<ul style="list-style-type: none"> a. Use microwave-safe cookware only. b. Completely defrost food. c. Use correct cooking time, power level. d. Turn or stir food.
Overcooked foods	<ul style="list-style-type: none"> Cooking time, power level is not suitable. 	<ul style="list-style-type: none"> Use correct cooking time, power level.
Undercooked foods	<ul style="list-style-type: none"> a. Materials to be avoided in microwave oven were used. b. Food is not defrosted completely. c. Oven ventilation ports are restricted. d. Cooking time, power level is not suitable. 	<ul style="list-style-type: none"> a. Use microwave-safe cookware only. b. Completely defrost food. c. Check to see that oven ventilation ports are not restricted. d. Use correct cooking time, power level.
Improper defrosting	<ul style="list-style-type: none"> a. Materials to be avoided in microwave oven were used. b. Cooking time, power level is not suitable. c. Food is not turned or stirred. 	<ul style="list-style-type: none"> a. Use microwave-safe cookware only. b. Use correct cooking time, power level. c. Turn or stir food.

LIMITED PRODUCT WARRANTY

This quality product is warranted to be free from manufacturer's defects in material and workman-ship, provided that the unit is used under the normal operating conditions intended by the manufacturer.

Should you have any problem with this product, please and it is highly recommended to visit our website at www.curtisint.com before you take any other steps as we have additional copies of instruction manuals, operating manuals and trouble shooting tips on our website which gives you the answer on most of the questions you could have in operating the unit.

TERMS OF WARRANTY

C.I. Service Dept. warrants this product to be free from defects in materials and workmanship for 1 year on parts and 90 days on labor.

Nothing within this warranty shall imply that C.I. will be responsible or liable for any damage to any items placed in this product, whether due to any defect of the product, or its use, whether proper or improper.

EXCLUSIONS

Save as herein provided, C.I. Service Dept. (Canada) or C.I. Service Dept. (USA), there are no other warranties, conditions, representations or guarantees, express or implied, made or intended by C.I. or its authorized distributors and all other warranties, conditions, representations or guarantees, including any warranties, conditions, representations or guarantees under any Sale of Goods Act or like legislation or statute is hereby expressly excluded. Save as herein provided, C.I. Service Dept. (Canada) or C.I. Service Dept. (USA), shall not be responsible for any damages to persons or property, including the unit itself, howsoever caused or any consequential damages arising from the malfunction of the unit and by the purchase of the unit, the purchaser does hereby agree to indemnify and save harmless C.I. from any claim for damages to persons or property caused by the unit.

TO OBTAIN REPAIRS UNDER THE TERMS OF THIS WARRANTY

1. The original purchaser must present a copy of the original bill of sale and the service warranty card.
2. Any alterations, abuse, misuse, battery corrosion or accidental damage voids the warranty.
3. The warranty does not cover cabinets and accessories.
4. No warranty or insurance contained or set out shall apply when damage or repair is caused by power failure; damage in transit or when moving the unit; improper power supply; use for commercial or industrial purposes; service calls resulting in customer education, etc.
5. The defective product should be mailed to:

Canada
C.I. Service Dept.
315 Attwell Dr

Toronto, Ontario
M9W 5C1

U.S.A
C.I. Service Dept.
181 Cooper Avenue

Unit 104
Tonawanda, N.Y.
14150

For service assistance and product information, please call: 1-800-968-9853.

If mailing the product, the freight must be prepaid and a money order for \$7.00 should be included to cover the cost of insurance and the return of the product.

6. C.I. reserves the right to repair or replace the parts which have become defective.

Model No. _____ Date Purchased _____ Serial No. _____

Free Manuals Download Website

<http://myh66.com>

<http://usermanuals.us>

<http://www.somanuals.com>

<http://www.4manuals.cc>

<http://www.manual-lib.com>

<http://www.404manual.com>

<http://www.luxmanual.com>

<http://aubethermostatmanual.com>

Golf course search by state

<http://golfingnear.com>

Email search by domain

<http://emailbydomain.com>

Auto manuals search

<http://auto.somanuals.com>

TV manuals search

<http://tv.somanuals.com>