

Read these instructions before using your new product for the first time.

Important safety instructions

Please read and save for future reference

- Some of the following information may not apply to your particular product; however, as with any electronic product, precautions should be observed during handling and use.
- Read these instructions.
 - Keep these instructions.
 - Heed all warnings.
 - Follow all instructions.
 - Do not use this apparatus near water.
 - Clean only with dry cloth.
 - Do not block any ventilation openings. Install in accordance with the manufacturer's instructions.
 - Do not install near any heat sources such as radiators, heat registers, stoves, or other apparatus (including amplifiers) that produce heat.
 - Do not defeat the safety purpose of the polarized or grounding-type plug. A polarized plug has two blades with one wider than the other. A grounding type plug has two blades and a third grounding prong. The wide blade or the third prong are provided for your safety. If the provided plug does not fit into your outlet, consult an electrician for replacement of the obsolete outlet.
 - Protect the power cord from being walked on or pinched particularly at plugs, convenience receptacles, and the point where they exit from the apparatus.
 - Only use attachments/accessories specified by the manufacturer.
 - Use only with the cart, stand, tripod, bracket, or table specified by the manufacturer, or sold with the apparatus. When a cart is used, use caution when moving the cart/apparatus combination to avoid injury from tip-over.
 - Unplug this apparatus during lightning storms or when unused for long periods of time.
 - Refer all servicing to qualified service personnel. Servicing is required when the apparatus has been damaged in any way, such as power-supply cord or plug is damaged, liquid has been spilled or objects have fallen into the apparatus, the apparatus has been exposed to rain or moisture, does not operate normally, or has been dropped.



Possible Cart Warning

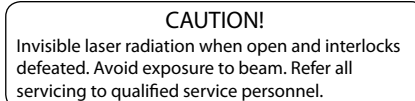
Additional safety information

- Apparatus shall not be exposed to dripping or splashing and no objects filled with liquids, such as vases, shall be placed on the apparatus.
- Always leave sufficient space around the product for ventilation. Do not place product in or on a bed, rug, in a bookcase or cabinet that may prevent air flow through vent openings.
- Do not place lighted candles, cigarettes, cigars, etc. on the product.
- Connect power cord only to AC power source as marked on the product.
- Care should be taken so that objects do not fall into the product.
- Do not attempt to disassemble the cabinet. This product does not contain customer serviceable components.

If your product operates on batteries

Adhere to the following precautions:

- Any battery may leak electrolyte if mixed with a different battery type, if inserted incorrectly, or if all batteries are not replaced at the same time.
- Any battery may leak electrolyte or explode if disposed of in fire or an attempt is made to charge a battery not intended to be recharged.
- Discard leaky batteries immediately. Leaking batteries can cause skin burns or other personal injury. When discarding batteries, be sure to dispose of them in the proper manner, according to your state/provincial and local regulations.



Important information

FCC information

This device complies with Part 15 of the FCC Rules. Operation is subject to the following two conditions: (1) This device may not cause harmful interference, and (2) this device must accept any interference received, including interference that may cause undesired operation. This equipment has been tested and found to comply with the limits for a Class B digital device, pursuant to Part 15 of FCC Rules. These limits are designed to provide reasonable protection against harmful interference in a residential installation. This equipment generates, uses, and can radiate radio frequency energy and, if not installed and used in accordance with the instructions, may cause harmful interference to radio communications. However, there is no guarantee that interference will not occur in a particular installation. If this equipment does cause harmful interference to radio or television reception, which can be determined by turning the equipment off and on, the user is encouraged to try to correct the interference by one or more of the following measures:

- Reorient or relocate the receiving antenna.
- Increase the separation between the equipment and receiver.
- Connect the equipment into an outlet on a circuit different from that to which the receiver is connected.
- Consult the dealer or an experienced radio/TV technician for help.

Changes or modifications not expressly approved by the party responsible for compliance could void the user's authority to operate the equipment.

For your records

In the event that service should be required, you may need the model number and the serial number. In the space below, record the date and place of purchase and the serial number:

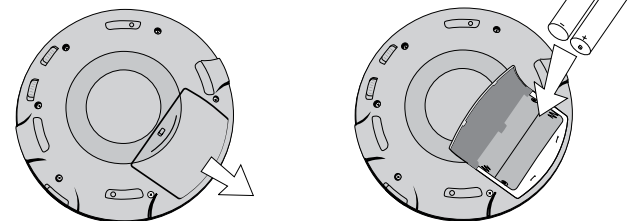
Date of Purchase:
Place of Purchase:
Serial No.:

Getting started

Unpacking the CD player

- You should have the following:
- CD player
 - Earphones
 - User manual (this leaflet)

Inserting batteries



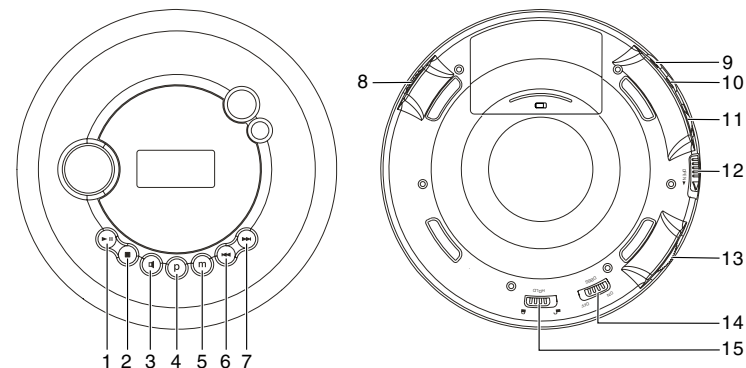
- Press and slide the battery compartment cover on the bottom of the player to unlock it.
- Open the cover. Insert 2x AA batteries (not supplied), following the polarity markers inside the compartment.

Connecting an AC adapter or car adapter (not supplied)

- You can power the player with an AC power adapter or car adapter (4.5V DC).
- Plug the adapter into the DC socket on the side of the player.
 - Disconnect the power adapter from the player to use battery power.

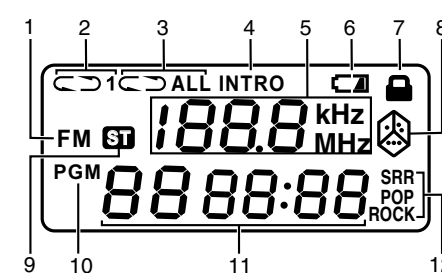
Using the CD player

Controls



- ▶|| play/pause button - Turns on the unit, starts or pauses CD playback.
- stop button - Turns the unit off/ stops CD playback.
- ◀ - Selects music modes (EQ).
- ▶ button - Enters program mode.
- m button - Selects playmode.
- ◀◀ button - Skips/searches backward a track.
- ▶▶ button - Skips/searches forward a track.
- CD/OFF / RADIO switch - Selects CD mode or turns on/off radio.
- DC jack - Connect with a power adapter for indoor use.
- 🔌 headphone jack - Insert your headphone here.
- Volume control - Adjust the volume ("+" to increase and "-" to decrease volume).
- OPEN switch - Slide to open CD door.
- ◀ TUNING ▶ control - Tunes frequency in radio mode.
- DBBS ON/OFF switch - Bass boost on/off.
- HOLD switch - Lock/unlock the controls.

Display



- FM Radio mode
- Repeat current track
- Repeat all tracks
- Intro playback ON
- Radio frequency
- Low battery warning
- Controls locked
- Random playback
- Stereo signal received
- Program mode
- Track number and elapsed time
- Music modes (SRR, ROCK and POP)

Playing a CD

- Slide the **OPEN** switch to the right to open the CD door.
- Place the CD on the spindle and press gently to lock the disc in place.
- Close the CD door.
- Slide the **CD/OFF / RADIO** switch to CD/OFF position.
- Press ▶||. The player displays " - - " while it reads the CD, then it starts playing the first track.
- To skip to the next track, press ▶▶.
- To skip to the start of the track, press ◀◀. Press again to skip to the previous track.
- To fast forward or reverse, press and hold ▶▶ or ◀◀.
- To pause/resume playback, press ▶||. The playing time flashes when the player is paused.
- To stop playback, press ■.
- To turn the player off, press ■ again while the player is stopped. (The player turns off automatically after 30 seconds when stopped.)

Changing the playback mode

- During playback, press m repeatedly to cycle through the playback options.
- ◀▶ - replays the current track.
 - ◀ ALL ▶ - replays all tracks.
 - INTRO - play the beginning 10 seconds of each track.
 - 🎲 - play track randomly.

Programming a playlist

- You can program a playlist of up to 20 tracks:
- While the player is stopped, press p. The first program location "01" appears on the display while "PGM" and the track number flash.
 - Press ◀◀ or ▶▶ to choose the first track.
 - Press p to store the track in the "01" location. The display shows "02".
 - Repeat steps 1 - 3 to add more tracks to the playlist.
 - Press ▶|| to start playback.



Important battery precautions

- Any battery may present a risk of fire, explosion, or chemical burn if abused. Do not try to charge a battery that is not intended to be recharged, do not incinerate, and do not puncture.
- Non-rechargeable batteries, such as alkaline batteries, may leak if left in your product for a long period of time. Remove the batteries from the product if you are not going to use it for a month or more.
- If your product uses more than one battery, do not mix types and make sure they are inserted correctly. Mixing types or inserting incorrectly may cause them to leak.
- Discard any leaky or deformed battery immediately. They may cause skin burns or other personal injury.
- Do not expose batteries to excessive heat (for example, by leaving them in sunlight or close to fire).
- Please help to protect the environment by recycling or disposing of batteries according to federal, state, and local regulations.

Headset safety

- To use a headset safely, please keep the following in mind:
- Do not play your headset at a high volume. Hearing experts advise against continuous extended play.
 - If you experience ringing in your ears, turn down the volume or stop using the headset.
 - Do not use a headset while driving a motorized vehicle or riding a bike. It may cause a traffic hazard and is illegal in many areas.
 - Even if your headset is an open-air type designed to let you hear outside sounds, don't turn up the volume so high that can't hear sounds around you.

Exit Program mode

To exit program mode, press ■. Press p to enter program mode again.

Cancel Program

Program will be cancelled when you change the disc or turn off the unit.

Locking the controls

To prevent the controls from operating accidentally, slide the **HOLD** switch to the ■ position. Lock icon ■ will show on the display when the buttons are locked.

DBBS (Digital Bass Boost System) mode

Slide the **DBBS** switch to ON to activate DBBS mode for extra bass effect and OFF to deactivate.

Music mode

During CD playback, press ◀ repeatedly to select music mode, each time is pressed, the music mode will be changed to the next one as follows:

POP -> ROCK -> SRR (Surround) -> Normal

Listening to FM Radio

- Slide the CD/OFF / RADIO switch to RADIO mode.
- Use the ◀ TUNING ▶ control to tune down or up the radio frequency. When the reception is good, 📻 will appear.

Notes

- Remember to slide the HOLD switch to the ■ position to activate the controls again.
- If the HOLD switch is in the ■ position when the unit is off, pressing will display the lock icon on the display.
- To prevent excessive battery consumption, the unit switches off automatically after 30 seconds in STOP mode if no key has been pressed.

More information

Notes on use

- Use a soft cloth or damp chamois leather to clean the player. Never use solvents.
- Avoid leaving the CD door open, as dust can impair performance.
- Do not touch the laser pickup lens.
- Do not put adhesive tape or labels on your CDs. These can cause playback problems or damage the player.
- Playback performance for CD-R/RW discs may vary due to variations in disc quality and the recorder used to create the disc.
- Do not open the CD door while the disc is spinning, as this may damage the disc.

Technical specifications

Frequency response: 20Hz - 20kHz
Audio formats: Audio CD
Power supply: 2x AA batteries (not supplied)
4.5V DC (via AC or car adapter, not supplied)
Size: 140(L)x140(W)x30.5(H) mm
Weight: 0.2kg

Limited warranty (US)

AVC MULTIMEDIA ("AVC") makes the following limited warranty. This limited warranty extend to the original consumer purchaser and is limited to non-commercial use of the product.

One Year Parts & Labor Warranty

AVC products purchased in the United States are warranted to be free from defects in materials or workmanship for a period of one year from the date of their original retail purchase. If the unit fails to conform to this warranty, we will service the product using new or refurbished parts and products, at **AVC's** sole discretion.

During a period of one year from the effective warranty date, **AVC** will provide, when needed, service labor to repair a manufacturing defect at its designated Service Center. To obtain warranty service in the United States, you must first contact our **Customer Support Center at www.1800customersupport.com/RCA**. The determination of service will be made by **AVC** Customer Support. **PLEASE DO NOT RETURN YOUR UNIT TO AVC WITHOUT PRIOR AUTHORIZATION**. New or remanufactured replacements for defective parts or products will be used for repairs by **AVC** at its designated Service Center for one year from the effective warranty date. Such replacement parts or products are warranted for an additional one year from the date of repair or replacement. The Customer will be required to ship the unit to the Service Center indicated at the time Customer Support is contacted to make the necessary repairs. The customer is responsible for all transportation charges to the service facility.

Packaging and Shipping Instruction

When you send the product to the **AVC** service facility you must use the original carton box and packing material or an equivalent as designated by **AVC**.

LIMITED WARRANTY

Your Responsibility

- 1) You must retain the original sale receipt to provide proof of purchase.
- 2) These warranties are effective only if the product is purchased and operated in the U.S.A. or Canada.
- 3) Warranties extend only to defects in material or workmanship, and do not extend to any product or parts which have been lost or discarded, or damage to product or parts caused by misuse, accident, improper operation or maintenance, or use in violation of instructions provided with the product, or to product which has been altered or modified without authorization of **AVC**, or to products or parts thereof which have had the serial number removed or changed.

Out of Warranty

In the event your product requires repair after the limited warranty period has expired, please contact our Customer Support Center at **www.1800customersupport.com/RCA**

Important:
You are responsible for any transportation, shipping or insurance relative to the return of product to our Product Returns Center.

All warranties implied by state law, including the implied warranties of merchantability and fitness for a particular purpose, are expressly limited to the duration of the limited warranties set forth above. With the exception of any warranties implied by state law as hereby limited, the foregoing warranty is exclusive and in lieu of all other warranties, guarantees, agreements and similar obligations of manufacturer or seller with respect to the repair or replacement of any parts. In no event shall **AVC** be liable for consequential or incidental damages.

No person, agent, distributor, dealer or company is authorized to change, modify or extend the terms of these warranties in any manner whatsoever. The time within action must be commenced to enforce any obligation of **AVC** arising under the warranty or under any statute, or law of the United States or any state thereof, is hereby limited to one year from the date of purchase. This limitation does not apply to implied warranties arising under state law.

This warranty gives you specific legal rights and you may also have other rights, which may vary, from state to state. Some states do not allow limitation on how long an implied warranty lasts, when an action may be brought, or the exclusion or limitation of incidental or consequential damages, so the above provisions may not apply to you.

For more information on other products and services, please visit our web site at **www.1800customersupport.com/RCA**

IMPORTER
AVC Multimedia
170 Esna Park, Unit 6, Markham,
Ontario L3R 1E3 Canada
© 2008 AVC Multimedia
http://www.1800customersupport.com/RCA
http://www.rcaaudiovideo.com

Free Manuals Download Website

<http://myh66.com>

<http://usermanuals.us>

<http://www.somanuals.com>

<http://www.4manuals.cc>

<http://www.manual-lib.com>

<http://www.404manual.com>

<http://www.luxmanual.com>

<http://aubethermostatmanual.com>

Golf course search by state

<http://golfingnear.com>

Email search by domain

<http://emailbydomain.com>

Auto manuals search

<http://auto.somanuals.com>

TV manuals search

<http://tv.somanuals.com>