

RCA

Water Resistant 2-Way Indoor/Outdoor Speaker System

Cat. No. 40-5041

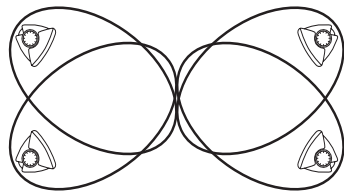
Thank you for purchasing the RCA Water Resistant 2-Way Indoor/Outdoor Speaker System. It has water-resistant enclosures to protect it from the elements when it is mounted outside. The speaker's acoustic suspension enclosure holds a 3-inch polypropylene woofer to provide deep bass in a small package, along with a 1-inch ferrofluid cooled tweeter for smooth separation of high and low frequencies. It is also ideal for use as a front or rear speaker in a home theater system.

Speaker Placement

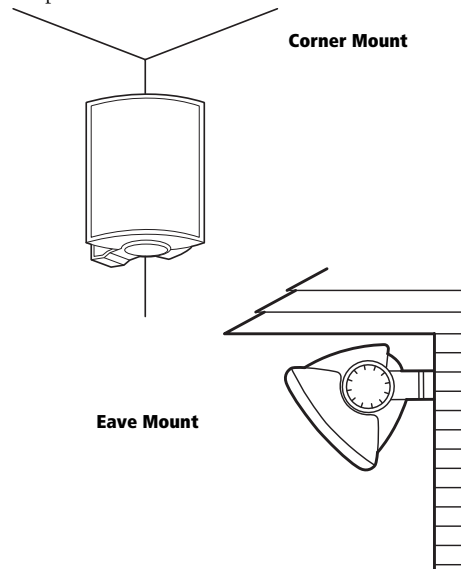
Caution: Your speaker is weather resistant. Do not mount it in a location where water might collect in the terminals.

Your speaker's very broad dispersion pattern means you get good sound quality over a very large listening area. If you position the speaker to provide coverage of too large an area, "hot spots" of loud sound might occur near the speaker. To avoid "hot-spots", use one set of speakers for every 200–400 square feet of listening area.

Listening Area Speaker Placement



The supplied wall and ceiling mounting brackets and the unique wedge-shaped design let you mount the speaker in corners or under eaves to minimize its exposure to rain and snow. You can place the speaker near a corner or an eave for more bass output.



Connections

For the best performance, it is essential that you keep the speaker in the proper phase (connect + to + and – to –). We recommend using color-coded or marked wires to help you correctly connect the speaker to your sound system.

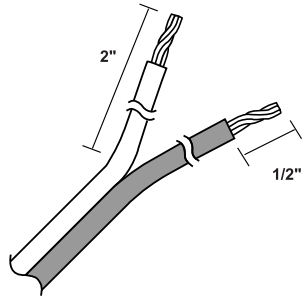
© 2003 RadioShack Corporation.
All Rights Reserved.

Color-coded wires have stripes running down one side of the conductor's insulation, marked wires have ridges running along one side of the conductor's insulation.

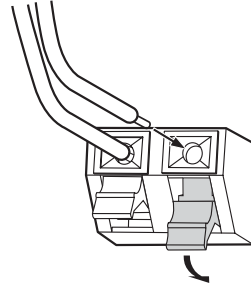
Cautions:

- Do not exceed the speaker's maximum power rating of 80 watts.
- To avoid damage to the speaker or amplifier/receiver, turn off the amplifier/receiver before making the connections.

1. Select a mounting location for the speaker that can withstand the speaker's weight and vibration.
2. Measure the distance from the speaker to the amplifier/receiver. For distances of 25 feet or less, use 18-gauge speaker wire or ordinary lamp cord. For distances greater than 25 feet, use heavier 16-gauge wire.
3. With the speaker near the selected location, run speaker wire from the speaker to the receiver/amplifier.
4. Separate the conductors for a length of about two inches on the end of each wire, then strip $\frac{1}{2}$ inch of insulation from the end of each conductor and twist the wire ends.



5. Push the black (negative) and red (positive) terminal on the speaker.
6. Insert the stripped wire ends into the holes in the terminals.

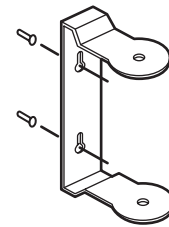


7. Connect the other ends of the wires to the matching terminals (negative and positive) on the receiver/amplifier.

Mounting

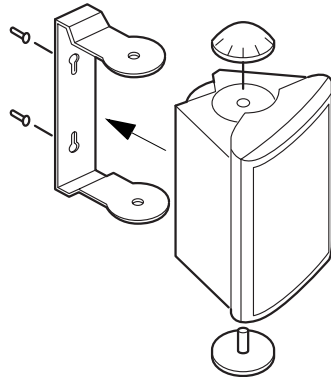
You can mount your speaker on a wall or the ceiling using the supplied mounting brackets and two screws (not supplied). Use screws with heads at least $\frac{1}{4}$ inch in diameter for the speaker.

1. Use the brackets to mark the locations of the bracket's keyhole slots on the mounting surface.
2. Drive two screws into the mounting surface at the marked locations, leaving about $\frac{3}{16}$ inch of the screw's threads exposed.



Note: Plaster, concrete, and very thin surfaces require expansion anchors or bolts for secure mounting.

-
3. Set the speaker in the mounting bracket at the desired angle and securely tighten the two large thumbscrews.



4. Slide the keyhole slots on the mounting bracket over the heads of the screws. You can also mount your speaker without the bracket. Use the keyhole slot on the back of the speaker.

Note: The RCA logo can be rotated. You might want to turn it 90 degrees when you mount the speaker horizontally.

Care

Keep the speaker dry; if it gets wet, wipe it dry immediately. Use and store the speaker only in normal temperature environments. Handle the speaker carefully; do not drop it. Keep the speaker away from dust and dirt, and wipe it with a damp cloth occasionally to keep it looking new.

Caution: You might permanently damage your speakers by cleaning them with a vacuum cleaner. Use a feather duster or a soft loose cloth instead.

Service and Repair

If your speaker is not performing as it should, take it to your local RadioShack store for assistance. To locate your nearest RadioShack, use the store locator feature on RadioShack's website (www.radioshack.com), or call 1-800-The Shack (843-7422) and follow the menu options. Modifying or tampering with the speaker's internal components can cause a malfunction and might invalidate its warranty.

Specifications

Speaker Complement	3-Inch Woofer, 1-Inch Ferrofluid Cooled Tweeter
Impedance (Nominal)	8 Ohms
Frequency Response	100 Hz-20 kHz
Power Handling	40 W RMS
Maximum Power	80 W
Sensitivity	85 dB @ 1W-1m
Dimensions (HWD) (without brackets)	6 ^{13/16} x 4 ^{1/2} x 3 ^{3/4} Inches (173 x 114 x 95 mm)
Shipping Weight (without brackets)	2.06 lb (932 g)

Specifications are typical; individual units might vary. Specifications are subject to change and improvement without notice.

Limited Five-Year Warranty

This product is warranted by RadioShack against manufacturing defects in material and workmanship under normal use for five (5) years from the date of purchase from RadioShack company-owned stores and authorized RadioShack franchisees and dealers. EXCEPT AS PROVIDED HEREIN, RadioShack MAKES NO EXPRESS WARRANTIES AND ANY IMPLIED WARRANTIES, INCLUDING THOSE OF MERCHANTABILITY AND FITNESS FOR A PARTICULAR PURPOSE, ARE LIMITED IN DURATION TO THE DURATION OF THE WRITTEN LIMITED WARRANTIES CONTAINED HEREIN. EXCEPT AS PROVIDED HEREIN, RadioShack SHALL HAVE NO LIABILITY OR RESPONSIBILITY TO CUSTOMER OR ANY OTHER PERSON OR ENTITY WITH RESPECT TO ANY LIABILITY, LOSS OR DAMAGE CAUSED DIRECTLY OR INDIRECTLY BY USE OR PERFORMANCE OF THE PRODUCT OR ARISING OUT OF ANY BREACH OF THIS WARRANTY, INCLUDING, BUT NOT LIMITED TO, ANY DAMAGES RESULTING FROM INCONVENIENCE, LOSS OF TIME, DATA, PROPERTY, REVENUE, OR PROFIT OR ANY INDIRECT, SPECIAL, INCIDENTAL, OR CONSEQUENTIAL DAMAGES, EVEN IF RadioShack HAS BEEN ADVISED OF THE POSSIBILITY OF SUCH DAMAGES.

Some states do not allow limitations on how long an implied warranty lasts or the exclusion or limitation of incidental or consequential damages, so the above limitations or exclusions may not apply to you.

In the event of a product defect during the warranty period, take the product and the RadioShack sales receipt as proof of purchase date to any RadioShack store. RadioShack will, at its option, unless otherwise provided by law: (a) correct the defect by product repair without charge for parts and labor; (b) replace the product with one of the same or similar design; or (c) refund the purchase price. All replaced parts and products, and products on which a refund is made, become the property of RadioShack. New or reconditioned parts and products may be used in the performance of warranty service. Repaired or replaced parts and products are warranted for the remainder of the original warranty period. You will be charged for repair or replacement of the product made after the expiration of the warranty period.

This warranty does not cover: (a) damage or failure caused by or attributable to acts of God, abuse, accident, misuse, improper or abnormal usage, failure to follow instructions, improper installation or maintenance, alteration, lightning or other incidence of excess voltage or current; (b) any repairs other than those provided by a RadioShack Authorized Service Facility; (c) consumables such as fuses or batteries; (d) cosmetic damage; (e) transportation, shipping or insurance costs; or (f) costs of product removal, installation, set-up service adjustment or reinstallation.

This warranty gives you specific legal rights, and you may also have other rights which vary from state to state.

RadioShack Customer Relations, 200 Taylor Street, 6th Floor, Fort Worth, TX 76102

12/99

RadioShack Corporation
Fort Worth, Texas 76102

01A03

40-5041
Printed in China

Free Manuals Download Website

<http://myh66.com>

<http://usermanuals.us>

<http://www.somanuals.com>

<http://www.4manuals.cc>

<http://www.manual-lib.com>

<http://www.404manual.com>

<http://www.luxmanual.com>

<http://aubethermostatmanual.com>

Golf course search by state

<http://golfingnear.com>

Email search by domain

<http://emailbydomain.com>

Auto manuals search

<http://auto.somanuals.com>

TV manuals search

<http://tv.somanuals.com>