

USER'S GUIDE

RV-9968

RV-9978

REAL



AUDIO/VIDEO RECEIVER

FEDERAL COMMUNICATIONS COMMISSION (FCC) INFORMATION

This device generates and uses radio frequency (RF) energy, and if not installed and used properly, this equipment may cause interference to radio and television reception.

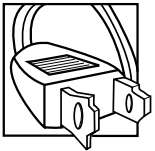
This equipment has been type tested and found to comply with the specifications in Subpart J of Part 15 of FCC Rules. These rules are designed to provide reasonable protection against radio and television interference in a residential installation. However, there is no guarantee that interference will not occur in particular installations.

If this equipment does cause interference to radio or television reception (which you can determine by turning the equipment off and on), try to correct the interference by one or more of the following measures:

- Reorient the receiving antenna (that is, the antenna for the radio or television that is "receiving" the interference).
- Move the unit away from the equipment that is receiving interference.
- Plug the unit into a different wall outlet so that the unit and the equipment receiving interference are on different branch circuits.

If these measures do not eliminate the interference, please consult your dealer or an experienced radio/television technician for additional suggestions.

Also, the Federal Communications Commission has prepared a helpful booklet, "How To Identify and Resolve Radio TV Interference Problems." This booklet is available from the U.S. Government Printing Office, Washington, DC 20402. Please specify stock number 004-000-00345-4 when ordering copies.



FOR YOUR SAFETY

The AC power plug is polarized (one blade is wider than the other) and only fits into AC power outlets one way. If the plug won't go into the outlet completely, turn the plug over and try to insert it the other way. If it still won't fit, contact a qualified electrician to change the outlet, or use a different one. **Do not attempt to bypass this safety feature.**

FOR YOUR RECORDS

In the event that service should be required, you may need both the model number and the serial number. In the space below, record the date and place of purchase, and the serial number:

Model No. RV-9968/RV-9978

Remote Control No. CRK67G

Date of Purchase _____

Place of Purchase _____

Serial No. _____

SERVICE INFORMATION

This product should be serviced only by those specially trained in appropriate servicing techniques. For instructions on how to obtain service, refer to the warranty included in this Guide.

WARNING: TO PREVENT FIRE OR ELECTRICAL SHOCK HAZARD, DO NOT EXPOSE THIS PRODUCT TO RAIN OR MOISTURE.

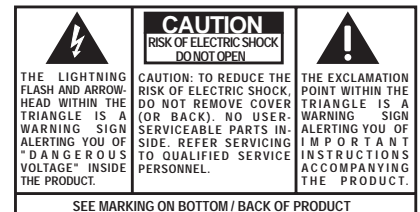


TABLE OF CONTENTS

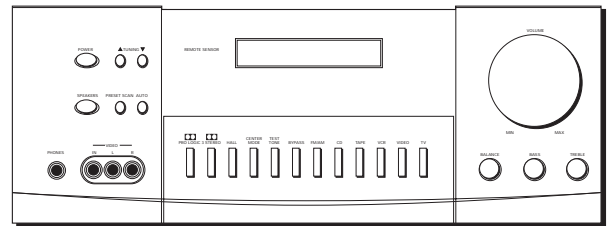
FIRST THINGS FIRST	4
UNPACK THE RECEIVER	4
BASIC CONNECTIONS.....	4
CONNECTING, PLACING & BALANCING THE SPEAKERS	5
CONNECTING THE ANTENNAS	7
CONNECTING FOR POWER	7
USING HEADPHONES	7
RECEIVER CONTROLS & OPERATIONS	8
GENERAL CONTROLS	8
DISPLAY MESSAGES	9
TUNING THE RECEIVER	9
USING SWAP AUDIO	10
CONNECTING AUXILIARY COMPONENTS	11
BEFORE YOU CONNECT.....	11
CONNECTING A SATELLITE RECEIVER	12
CONNECTING COMPLIMENTARY COMPONENTS	12
CONNECTING A COMPACT DISC	13
CONNECTING A TAPE DECK	13
CONNECTING A PASSIVE SUBWOOFER	13
THE ULTIMATE CONNECTION	14
USING THE UNIVERSAL REMOTE CONTROL	16
BATTERY INSTALLATION	16
BASIC CONTROLS	16
PROGRAMMING THE UNIVERSAL REMOTE	19
REMOTE TV CODES	22
REMOTE VCR CODES.....	23
REMOTE AUDIO & CABLE CODES.....	24
CARE AND MAINTENANCE	25
TROUBLESHOOTING TIPS	25
CARE AND CLEANING	25
EQUIPMENT SPECIFICATIONS.....	25
INDEX	26
LIMITED WARRANTY	27
CANADIAN SERVICE	28

FIRST THINGS FIRST

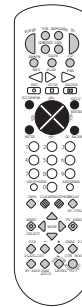
UNPACK THE RECEIVER

Unpack the receiver and locate all the accessories. You should have:

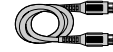
- one receiver unit;
- one RCA Universal Remote Control (CRK67G);
- two packs - one pair each - of AAA batteries;
- one audio cable (two wires) with red and white RCA connectors;
- one video cable (single wire) with yellow RCA connectors;
- one external, detachable FM T-type antenna;
- one external AM loop antenna;
- one instruction book;
- one owner registration/survey card;
- and one safety leaflet.



central unit



remote



video cable



audio cable



AM loop



FM T-type antenna

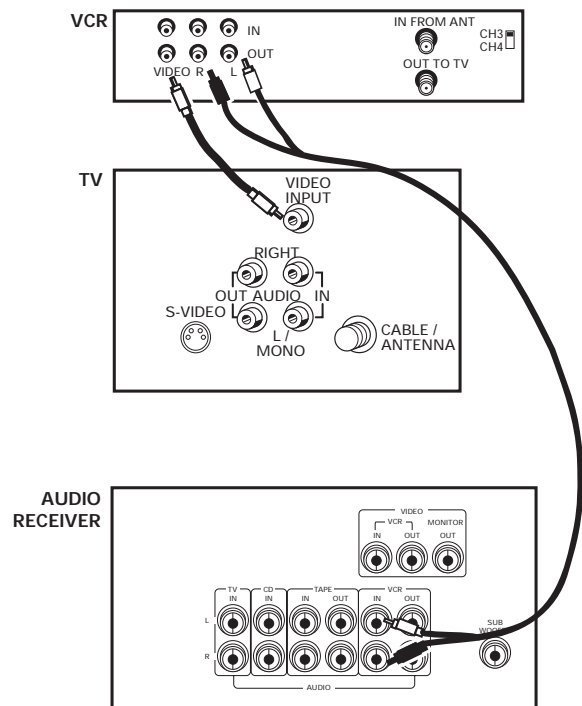
BASIC CONNECTIONS

Assuming you have a VCR, the following steps will help you quickly set up your new receiver. If you have more electronic components, consult the table of contents or index for the page on which to find the connection description that best suits your situation.

*The wires and jacks have been color-coded to assist you.

1. Using an audio wire with red and white connectors, connect the audio "OUT" jack on the back of your stereo VCR to the audio "IN" jack under the VCR heading on the back of the receiver.
2. Using the video cable with yellow connectors, connect the video "OUT" jack on the back of your VCR to the "VIDEO IN" or "VIDEO INPUT" on the back of your TV. If there are multiple video jacks on the back of your TV, use "VIDEO 1."

NOTE: If your TV has more than one video input, make sure the VCR and VIDEO buttons tune the TV to the same channel that the receiver monitor out is plugged into. Refer to the TV's user's guide for more information.



FIRST THINGS FIRST

CONNECTING, PLACING & BALANCING THE SPEAKERS

CONNECTING THE WIRES

Each speaker - the two main, two surround and one central - has a designated set of terminals on the back panel of the central unit.

Uncoil the speaker wires and locate the bare ends. Press and hold down on the tab to open the red terminal, then insert the red (+) wire. Release hold to close tab. Use the same procedure for black (-) wire into black terminal.

WARNING: Be sure to follow these instructions carefully. The system can be damaged if speakers are improperly connected.

SETTING UP FOR SURROUND SOUND

THE MAIN SPEAKERS

The two main speakers should be set between six and 10 feet apart. Putting the speakers any closer or any farther apart may result in distorted sound.

The speakers should also form a 45 degree angle to the central listening point in the room, creating a triangle of listening enjoyment.

NOTE: You may need to place the main speakers closer together when not utilizing the center speaker. Do not place them so close, however, that their magnetic fields affect the TV's reception.

THE CENTER SPEAKER

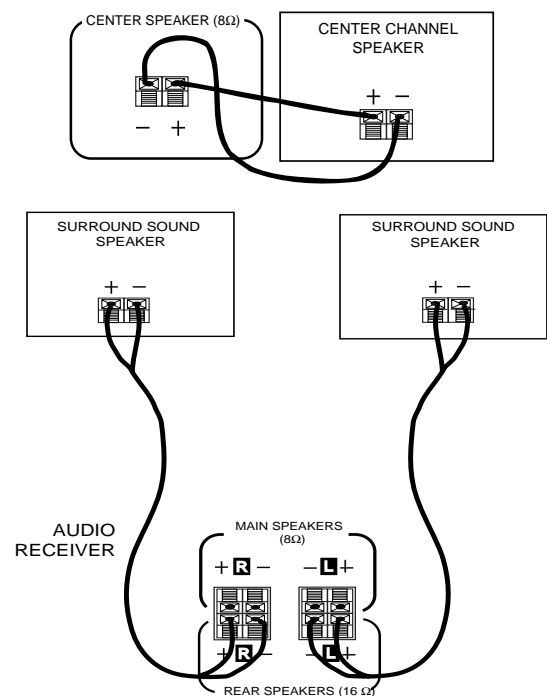
For optimal performance, you should try to place the center speaker as close as possible to the same height as the left and right main speakers. You should also try to align all three speakers, or set the center speaker slightly behind the left and right mains. However, you should never place the center speaker forward of the left and right mains, as this will distort the sound for those listeners not seated in the center of the room.

THE SURROUND SPEAKERS

Placement of the surround speakers for optimal performance is truly subject to the size and type of room in which the system is to be placed.

The following are a few position suggestions.

1. Set the speakers on the side walls, facing each other, approximately two to three feet above the listeners head.



FIRST THINGS FIRST

2. Aim the speakers directly at the two main speakers, matching height to height. If the room is sparsely decorated, it may be necessary to slightly tilt the speakers down to increase sound quality. If the room is densely decorated, it may be necessary to face the speakers toward the rear wall or at the ceiling.
3. Mount the speakers up on the ceiling. Set them a few feet wide of the listeners and make sure they are facing one another, not the floor.

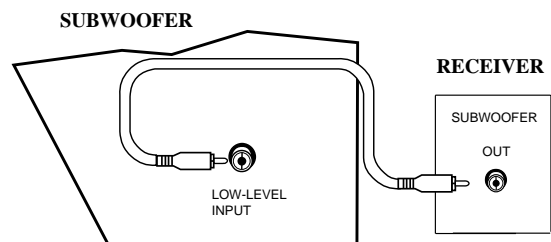
Obviously there are many more possible positions, so it may be necessary to simply experiment to find the right balance for your situation.

SUBWOOFER

Before you begin, make sure that the subwoofer is turned off and unplugged.

Connect your A/V receiver to the subwoofer as shown.

NOTE: A receiver with a single output should be connected to the input labeled LOW-LEVEL INPUT.



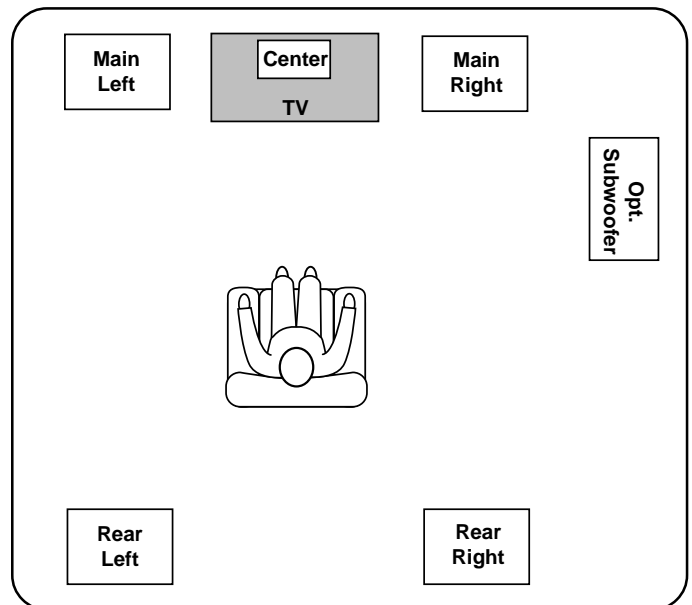
BALANCING YOUR SPEAKERS

Your system is equipped with **DOLBY SURROUND PRO LOGIC***, which enables you to reproduce sound effects as they were intended. But to do so, the speakers must be correctly balanced.

To balance the speakers using the Test Tone, all speakers must be connected to your receiver. Your receiver must be in the Dolby Pro Logic Surround Mode.

1. Press the TEST TONE button on the receiver front panel. The receiver generates a "pink noise" and applies it automatically at two-second intervals to the left main channel, center channel, right main channel and left and right rear channels (simultaneously), in that order.
2. As the pink noise is generated, go to the spot in the room where you are most likely to be when listening to your system. The rear surround and center speakers should be adjusted to equal the level of output from the left and right main speakers.
3. Make adjustments by pressing the REAR•CTR button, and then the +/- button on your remote control. The output from the selected speaker(s) is adjusted accordingly.

A SAMPLE SET UP FOR SURROUND SOUND ENJOYMENT



* **DOLBY SURROUND PRO LOGIC** Manufactured under license from Dolby Laboratories Licensing Corporation. Dolby, the double-D symbol (DD) and "Pro Logic" are trademarks of Dolby Laboratories Licensing Corporation.

FIRST THINGS FIRST

Each time you press the + or - button on your remote control to adjust a channel, the receiver provides you with two more seconds of pink noise to that channel before moving on to the next.

4. Press the TEST TONE button again to end the test.

You may not need to check or adjust these levels again unless you move your system, rearrange the speakers, or change your preferred seating location in the room.

CONNECTING THE ANTENNAS

The AM and FM antennas connect to the AM and FM terminals on the system's back panel. They must be hooked up for you to receive clear reception.

Uncoil the antenna wires and locate the bare ends. Press down on the tab to open the terminal and insert the wire. Snap the tab closed.

After connecting the antennas, extend them to their full length and adjust their positioning for better reception.

CONNECTING FOR POWER

Make sure you connect all your other electronic components and your speakers before plugging your receiver into the outlet.

Plug the power cord in the wall outlet, matching the wide blade of the plug with the wide slot in the outlet. Be sure to insert the plug completely.

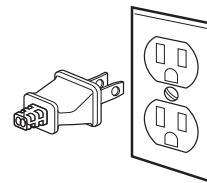
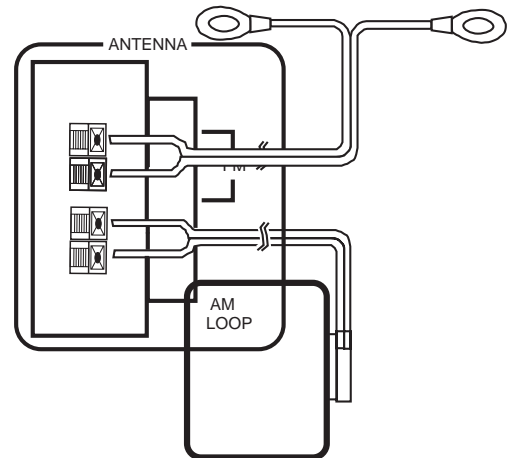
USING HEADPHONES

To listen privately through your audio system, use the PHONES jack to the right of the volume dial on the receiver.

NOTE: Headphones are not included.

Sit Back and Listen ...

Fine tuning is best performed with the remote control so that adjustments can be made from the viewing or listening area.

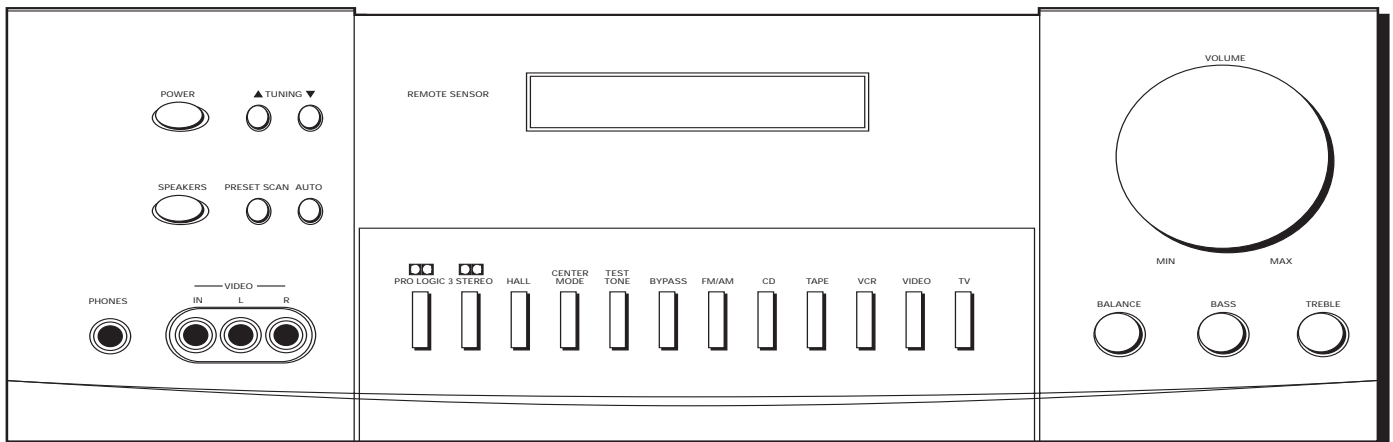


Have a blast - Just not in your ears!

Make sure you turn down the volume before you put on the headphones. Increase the volume to the desired level after headphones are in place.



RECEIVER CONTROLS & OPERATIONS



GENERAL CONTROLS

POWER STAND BY/ON

The POWER STANDBY/ON button activates or deactivates the system. When the system is activated, the unit will default to the last mode it was in before power was removed.

TUNING DOWN/UP

The TUNING DOWN/UP buttons allow you to scan the active frequency for the radio station of your choice.

SPEAKERS

The SPEAKERS button allows to activate/deactivate your speakers, giving you more control over the customizing of your listening.

PRESET SCAN

The PRESET SCAN button allows you easy access for up to 30 preset radio stations.

AUTO

The AUTO button allows you to select auto or manual tuning.

BALANCE

The BALANCE dial allows you to manually adjust the balance of sound coming from your speakers.

BASS

The BASS dial allows you to manually adjust the amount of bass the unit emits.

TREBLE

The TREBLE dial allows you to manually adjust the amount of treble the unit emits.

FUNCTION BUTTONS

The function buttons include CD, TAPE, FM/AM, TV, VCR, VIDEO.

TEST TONE

The TEST TONE button can only be used in the Dolby Pro Logic mode. This feature allows you to balance your speakers as they emit a sound, called a "pink noise," in the left, center, right and surround channels sequentially for two seconds each.

NOTE: This process is explained more in-depth in "Balancing Your Speakers," page 4.

CENTER MODE

The CENTER MODE button allows you to select the Normal, Phantom or Wide mode. These modes are only available when Dolby Pro Logic or Dolby 3 Stereo are activate.

NORMAL

The Normal mode can be activated in both Pro Logic and 3 Stereo. This mode takes the low bass frequencies from the center channel and distributes them to the left and right main speakers to maintain the program's original integrity.

PHANTOM

The Phantom mode can only be reached while the Pro Logic mode is active. It uses the two main speakers and the two surround speakers. The center speaker is off and the sound that usually comes from it is distributed through the left and right main speakers.

RECEIVER CONTROLS & OPERATIONS

WIDE

The WIDE mode can be activated in both the Pro Logic and the 3 Stereo modes. This mode utilizes just the three front speakers - left main, right main and center - with all audio delivered through the center speaker. The center speaker will reproduce the same bass levels as the left and right main speakers.

SURROUND MODE

Included in the SURROUND MODE category are Dolby Pro Logic, Dolby 3 Stereo, Hall and Bypass.

DOLBY PRO LOGIC

The Pro Logic mode uses all five speakers so the sound envelops the room.

DOLBY 3 STEREO

The 3 Stereo mode uses the two main and one center speaker.

HALL

The Hall mode recreates the effect of listening to a concert or watching a play from inside a music hall. It utilizes the main and surround speakers.

BYPASS

The Bypass mode utilizes just the main speakers.

MASTER VOLUME

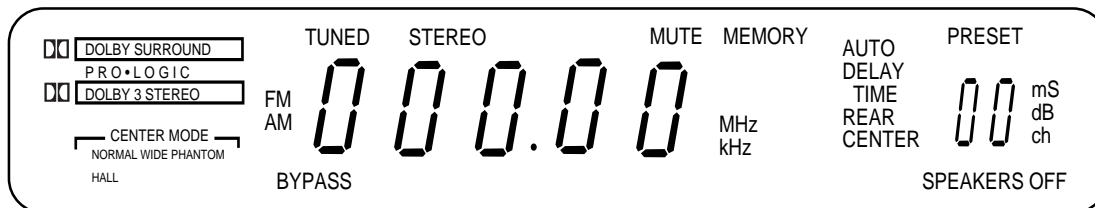
The Master Volume dial allows you to adjust the level of audio output.

PHONES

The receiver has been equipped with a Phones jack. Plug your headphones - not included - into the jack and listen to your favorite media in private.

DISPLAY MESSAGES

The following is an example of all the display messages you may encounter while using your receiver. Specific messages are referenced within the section(s) they apply.



TUNING THE RECEIVER

1. Push the FM/AM button on the receiver (or the AM•FM button on the remote) to activate the tuner.
2. Press the FM/AM button on the receiver (or the AM•FM button on the remote) again to select the FM or AM band.

TUNING

Press the FF on your remote button to move up the AM or FM band.

Press the REW button on your remote to move down the AM or FM band.

AUTO TUNING

Use the AUTO feature to automatically search for stations of sufficient strength.

Press AUTO on your receiver (or the INPUT•SEEK button on your remote) to put the receiver into AUTO mode. "AUTO" appears in the display. Press TUNING up or down button on the receiver to search. The tuner finds and stops on the next station whose frequency is strong enough to be received. To continue the search, press TUNING up or down button again.

STORING STATIONS IN MEMORY

You can store up to 30 AM and FM stations. These stations can be stored in random order.

RECEIVER CONTROLS & OPERATIONS

TO STORE A STATION

1. Press the FM/AM button on the receiver (or the AM•FM button on the remote) to turn on the receiver.
2. Select the band—FM or AM.
3. Select the station you want to store in memory using the methods described above.
4. Press the MENU-SELECT button on the remote. “MEMORY” blinks in the display. While “MEMORY” is blinking, press number buttons on the remote for the station.

For stations 1, 2 or 3 press 0, then press 1, 2, or 3.
For stations 4 through 30, press the numbers directly.

If the Memory indicator on the display turns off before you preset your station selection, press MENU-SELECT again.

If the receiver is disconnected from its power source, the preset stations are maintained in memory for up to 7 days.

TO PLAY A PRESET STATION

Press the appropriate Preset Stations number. For stations 1, 2 or 3 press 0, then press 1, 2, or 3. For stations 4 through 30, press the numbers directly.

Or, press CH + on your remote to tune to the next preset station or CH - to tune to the previous preset station.

PRESET SCANNING

Use the PRESET SCAN button on the receiver's front panel to review the preset stations stored in the tuner's memory. “PRESET” and the station's location in memory appear in the display. The tuner automatically scans all preset stations in order, pausing at each one for approximately 5 seconds.

When the tuner reaches the station you want, press PRESET SCAN to stop the scanning. If the scan is not interrupted, the tuner reviews all preset stations in order, stopping at the point where the scan began.

USING SWAP AUDIO

Swap audio lets you change the sound from the large picture to the small picture when you are watching TV and using picture-in-picture (PIP) with an external video source.

TO USE SWAP AUDIO

When you are watching TV and turn on PIP, you can turn on another video source and swap the sound from the large picture coming from the TV to the small picture coming from the other video source.

1. Press TV on the remote to turn on the TV and put the receiver in TV mode.
2. Press the PIP button. The empty PIP appears on the screen.
3. Activate a video source for the PIP. The picture from the video source appears in the PIP.
4. Press TV.
5. Change to the TV channel you want to watch on the large screen.
6. Press SWAP AUDIO to swap the sound between the large picture and the small picture.
7. To swap the video between the large picture and the small picture, use the SWAP PIP button on the remote.

If you swap the TV picture to the PIP and the other video source to the large picture, you may not be able to swap the audio.

TO CHANGE THE VIDEO SOURCE AND SWAP THE AUDIO

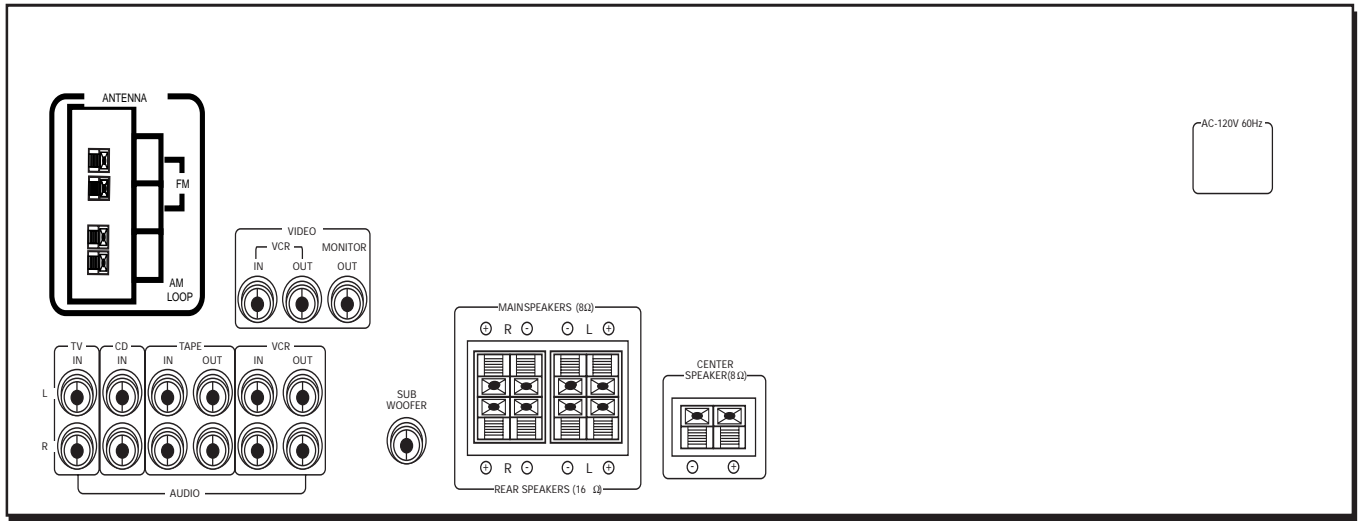
If you want to change the video source for the PIP and want to be able to use SWAP AUDIO:

1. Turn off PIP.
2. Change the video source to another video component connected to the receiver.
3. Press TV to watch the TV.
4. Press PIP. The video source appears in the PIP. The video from the TV appears in the large picture.
5. Press SWAP AUDIO to swap the audio as you want.

The Swap Audio feature may not work with all TV brands with the PIP feature.

If your TV has a PIP feature, see the TV's user's guide for instructions for using it.

CONNECTING AUXILIARY COMPONENTS



BEFORE YOU CONNECT...

- Protect components from power surges.
- Connect all components before plugging any power cords into the wall outlet.
- Always turn off the receiver and/or components before you connect or disconnect any cables.
- Always make sure the color-coded plugs match the color of the terminals in which they are inserted. The connection cable plugs and jacks are color-coded as follows:

Speaker Terminals Red for positive (+) terminals. Black for negative (-) terminals.

RCA Phono Type Terminals Red for the right (R) channel. White for the left (L) channel. Yellow for the video (V). Black for the subwoofer. (Not Included)

- Some units may be supplied with connection plugs that are color coded red and black instead of red and white. In this case, the black plug takes the place of the white plug.
- Contact Consumer Relations if you have questions concerning the connections or components.

POSITION CABLES CORRECTLY TO AVOID AUDIO HUM OR INTERFERENCE

- Insert all cable plugs firmly into their jacks.
- Place audio/video cables to the sides of the receiver's back panel instead of straight down the middle after you connect the components.
- Try not to coil any power cables and keep them away from the audio/video cables as much as possible.
- Make sure all antennas and cables are properly grounded. Refer to the Safety Tips sheet packed with your receiver.

PROTECT YOUR COMPONENTS FROM OVER-HEATING

- Do not block ventilation holes in any component. Arrange the components so that air can circulate freely.
- Do not stack components directly on top of each other.
- Allow adequate ventilation when placing your components in a stand.
- Place an amplifier near the top shelf of the stand so heating air rising from it will not flow around other components. If you have a satellite receiver, you should place it on the top shelf.

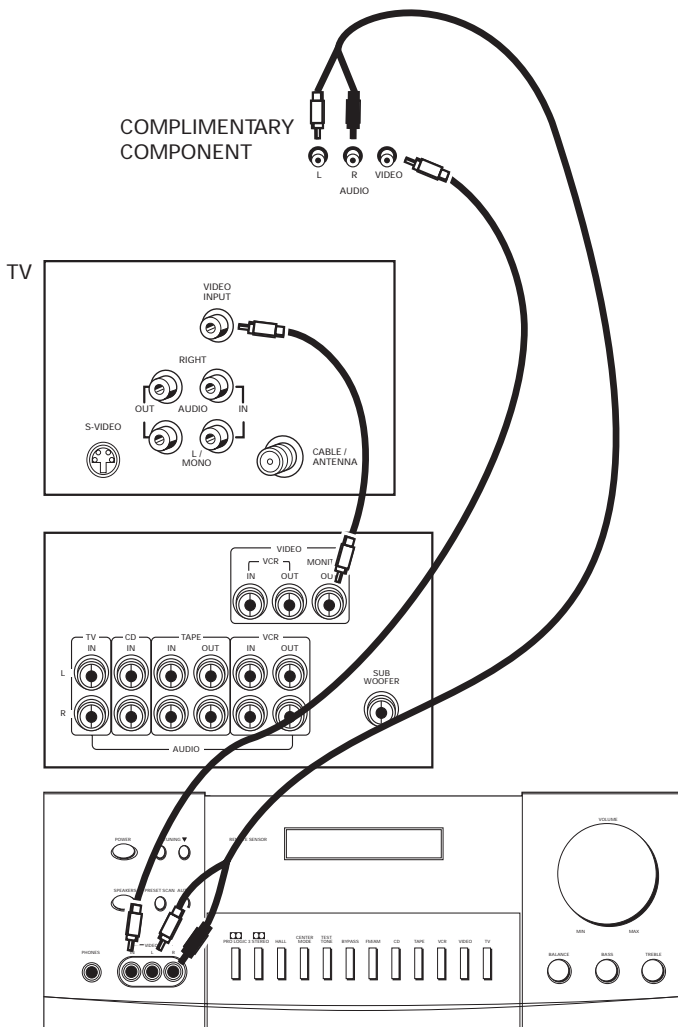
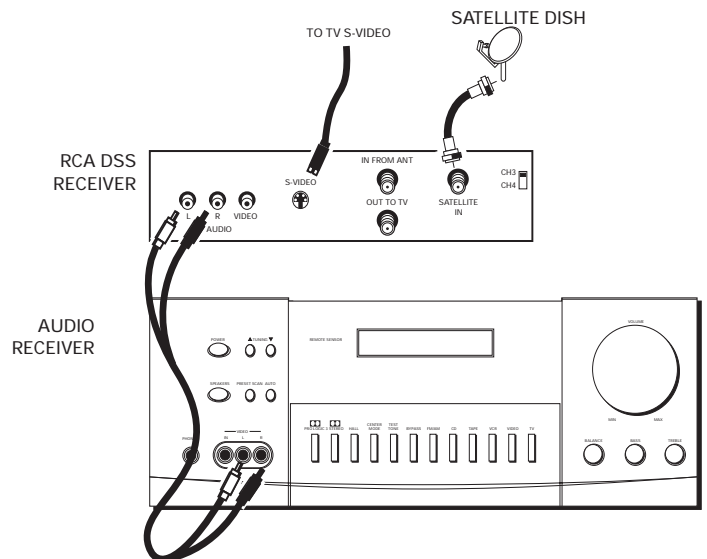
CONNECTING AUXILIARY COMPONENTS

CONNECTING A SATELLITE RECEIVER

Using a paired (red/white) stereo cable, a single (yellow) video cable and two coaxial cables, connect your new audio receiver to your satellite receiver as shown to the right.

To watch TV programs in stereo after connection, press TV and tune to the desired channel. To watch satellite programming, press SAT•CABLE and tune to the desired channel.

NOTE: Do not stack electronic components or other objects on top of the satellite receiver. The slots on top of the receiver must be left uncovered to allow proper airflow to the unit. Blocking the airflow to the unit could impair performance or damage your receiver and other components. Also, do not stack the satellite receiver on top of a "hot component," such as an audio power amplifier.



CONNECTING COMPLIMENTARY COMPONENTS

You can connect a laserdisc player, second VCR or camcorder/video recorder to the VIDEO connection.

Using a paired (red/white) stereo cable and two single (yellow) video cables, connect your new audio receiver to the complimentary component as shown to the right.

To play laserdiscs or videos, press the LD•VCR2 and then play.

NOTES: When using this connection for a second VCR, the recording option is not available.

If your camcorder or video camera does not have an RCA-type terminal for audio/video, you can purchase an adapter from an RCA dealer or electronic parts store.

If the video connection is being used when you try to hook up your video recorder or camcorder, connect the component through any other available video output.

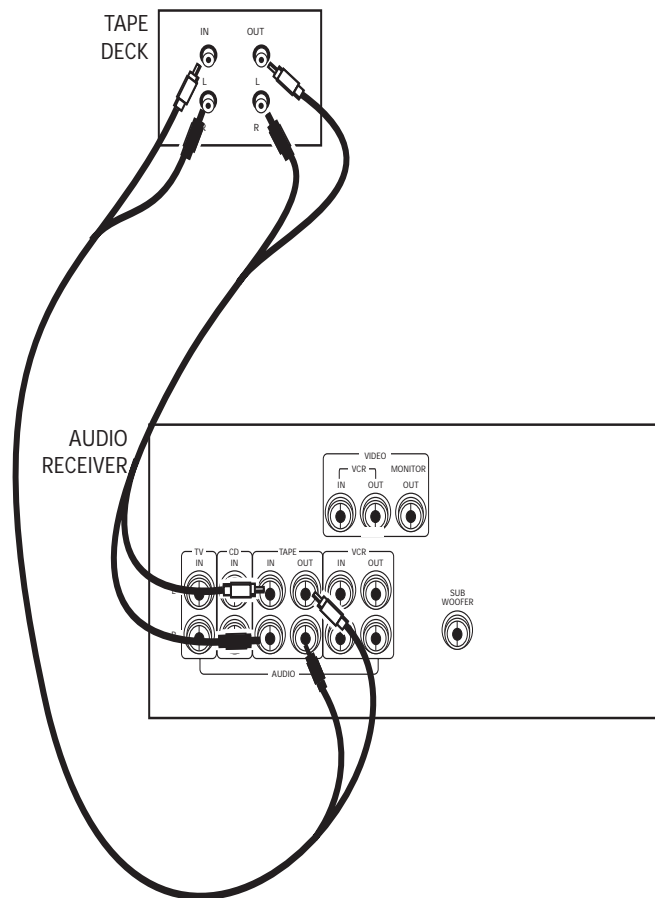
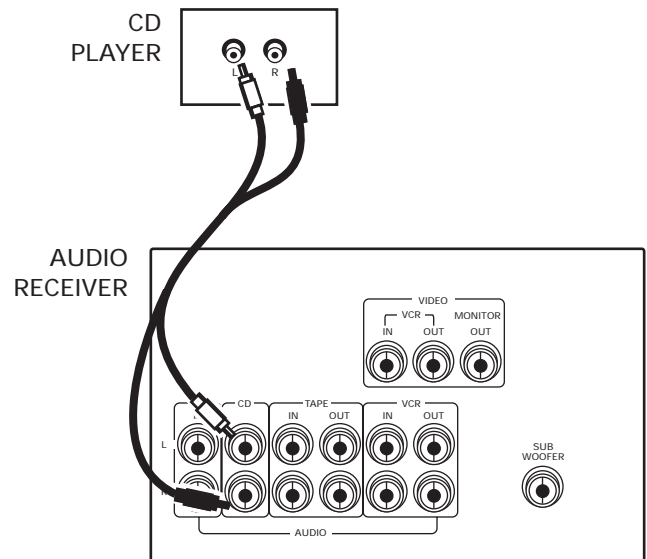
CONNECTING AUXILIARY COMPONENTS

CONNECTING A COMPACT DISC PLAYER

Using one paired (red/white) stereo cable, connect your new receiver to your compact disc player as shown to the right.

To play a CD, press CD, put the receiver in CD mode and press PLAY.

NOTE: The AUDIO SOURCE connection can be used as input for any stereo audio signal.



CONNECTING A TAPE DECK

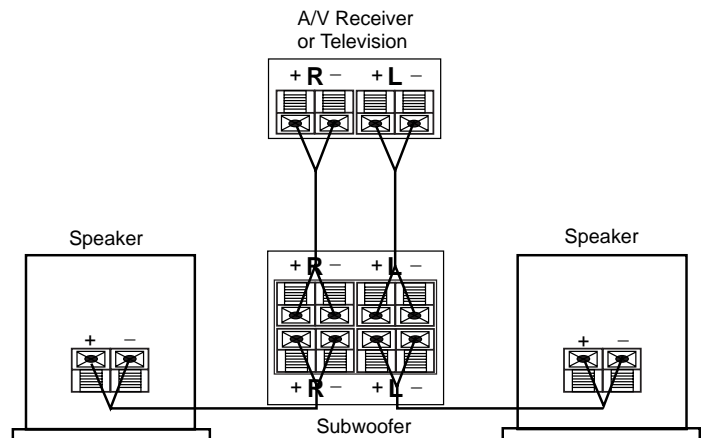
Using two paired (red/white) stereo cables, connect your new receiver to your tape deck as shown in the diagram to the right.

To play a tape, press TAPE and then PLAY. To record a tape, turn on the audio source you want to record from and then press RECORD on the tape player.

CONNECTING A PASSIVE SUBWOOFER

Should you choose to use a passive subwoofer, the hook up is slightly different from that of a powered one.

If necessary, remove the vinyl covering from the ends of the wires and twist the wire. Press down and hold the tab on the back of the speaker. Insert the wire in the hole, matching (+) to (+) and (-) to (-). Release the tab and pull the wire gently to make sure it is securely connected



CONNECTING AUXILIARY COMPONENTS

THE ULTIMATE CONNECTION

Should you choose to utilize your new receiver to its fullest potential by running all your audio components through it, you will need purchase additional connectors. How many and what kind is purely situational.

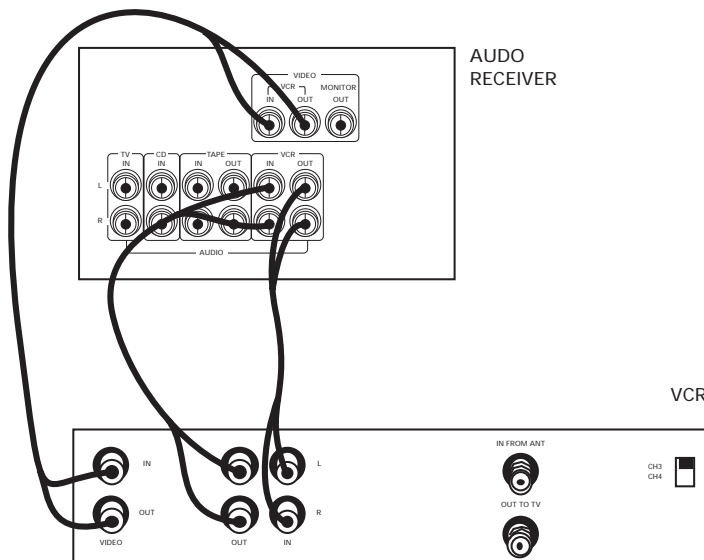
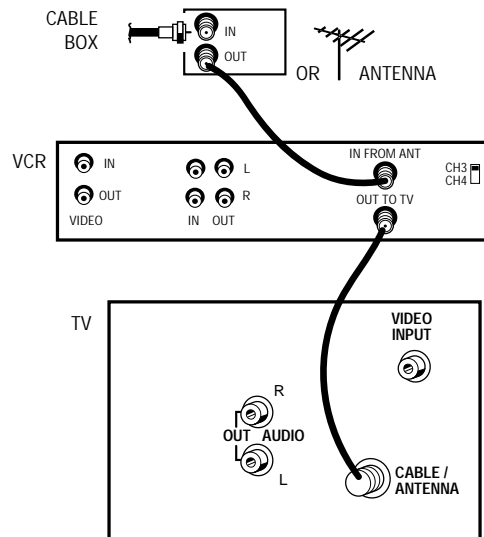
The following is a complete description of all the jacks on the back of the receiver and how they can be utilized to provide greater enjoyment. Remember when connecting audio and video cables that, in addition to being color-coded for connection accuracy, RIGHT jacks always connect to RIGHT jacks and LEFT to LEFT, but IN jacks connect to OUT jacks and OUT jacks connect to IN.

NOTE: Please be advised the jacks are given generalized names and locations. Your TV/VCR/cable box/satellite receiver/ etc. might have a different configuration of jacks with different names. The diagrams below are outlined in the simplest possible detail.

STEP 1: CONNECTING YOUR SATELLITE/CABLE RECEIVER

Connect the "OUT" jack on your cable/satellite receiver box to the "IN FROM ANTENNA" jack on the back of your VCR.

Then connect the "OUT to TV" jack on the back of your VCR to the "CABLE/ANTENNA" jack on the back of your TV.



STEP 2: CONNECTING YOUR VCR TO THE RECEIVER

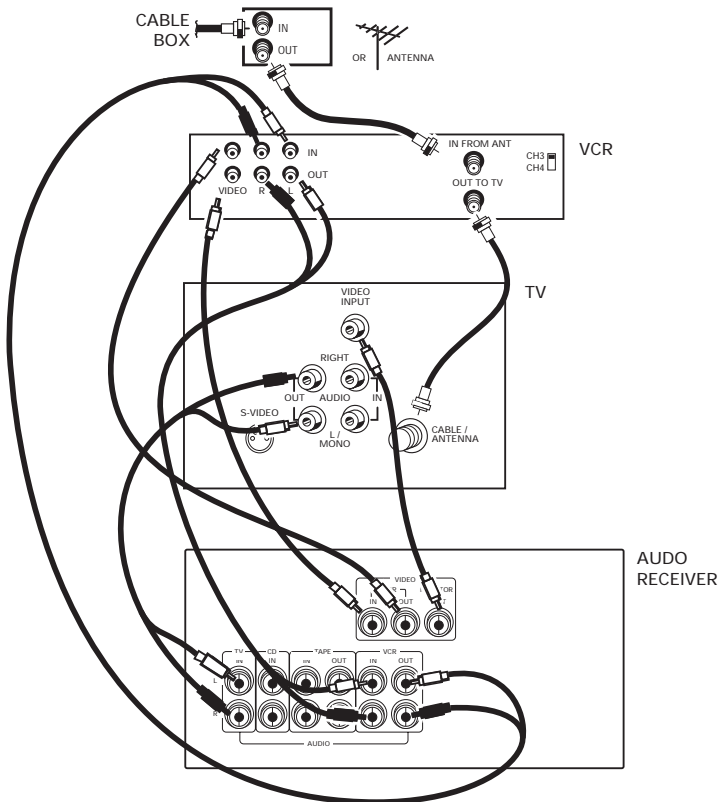
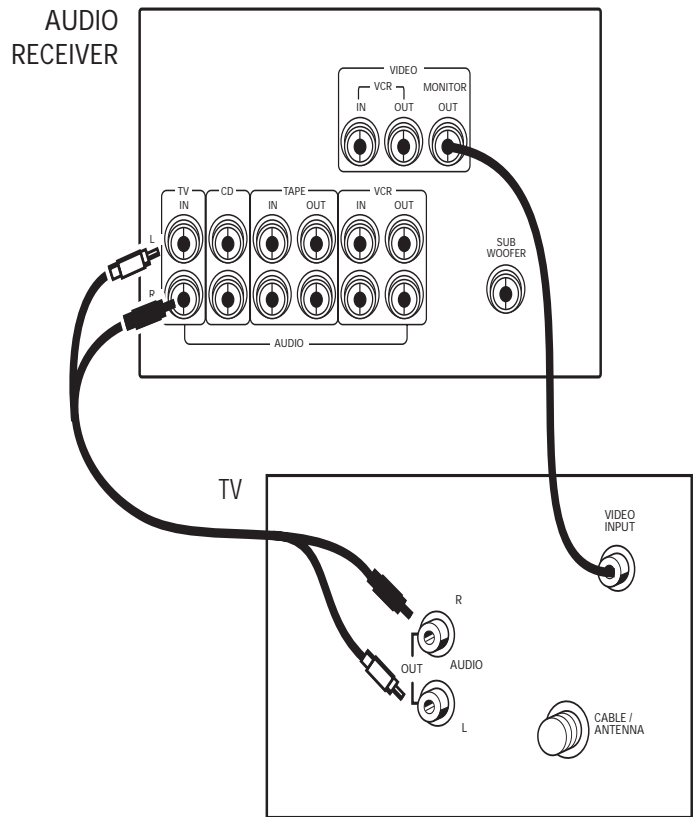
Using video cables, connect the video VCR "IN" and "OUT" jacks on the back of your receiver to the "OUT" and "IN" video jacks on the back of your VCR.

Using audio cables, connect the right and left "IN" and "OUT" audio VCR jacks on the back of your receiver to the right and left "IN" and "OUT" jacks on the back of your VCR.

CONNECTING AUXILIARY COMPONENTS

STEP 3: CONNECTING YOUR RECEIVER TO YOUR TV

Using audio cables, connect the left and right "OUT" audio jacks on the back of your TV to the TV audio jacks on the back of your receiver.



WHEN YOU'RE ALL CONNECTED....

When you're all finished connecting your basic components together, you'll have quite a mess of wires back there.

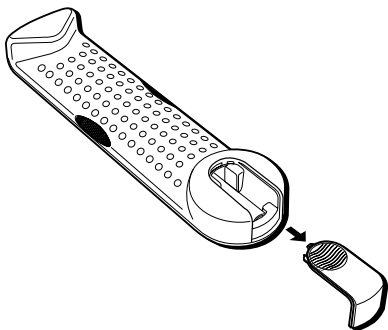
Add to this a tape deck, laserdisc player and second VCR and you can imagine the confusion. Just be patient and follow each component's user's guide and you'll be rewarded with excellent audio and hours of top quality entertainment.

USING THE UNIVERSAL REMOTE CONTROL

BATTERY INSTALLATION

The remote control operates on four batteries, included with your system. Install them before attempting to operate the remote.

1. Slide the battery compartment cover off the back of the remote.
2. Insert 4 AAA batteries, matching the + and - ends of each battery with the symbols in the compartment.
3. Replace the cover.



BASIC CONTROLS

Your remote control is capable of operating most RCA audio and video equipment. To use the remote control effectively, always aim it directly at your receiver.

POWER Turns the AM/FM receiver off with two presses. If you have multiple components turned on and not the AM/FM receiver, pressing POWER once turns off the last component turned on. Pressing POWER again quickly turns off all other components.

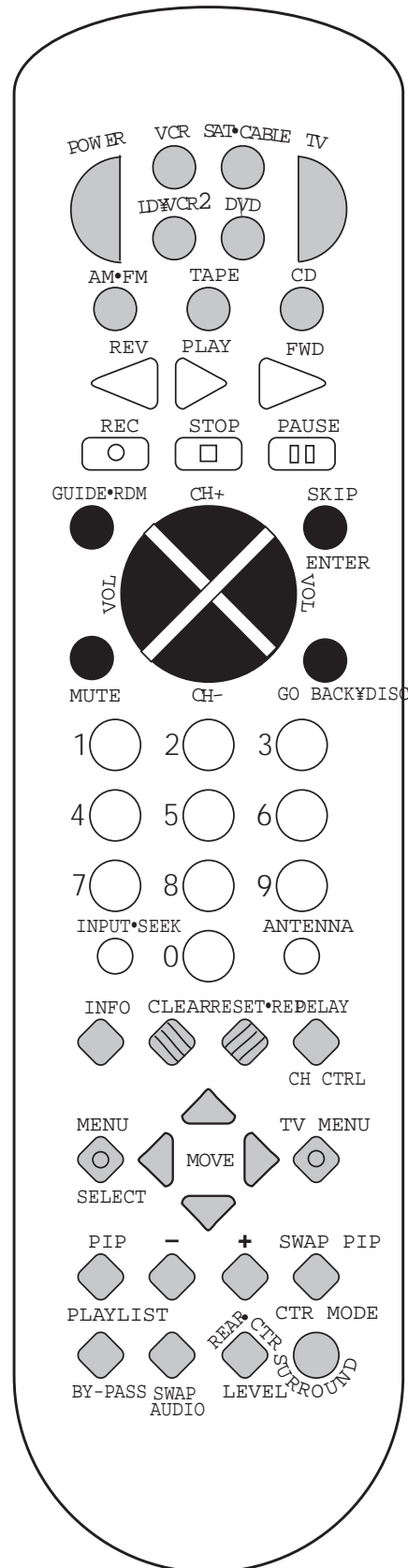
VOL UP and DOWN Increases or decreases the volume.

MUTE Turns off the receiver's sound. Press again to restore the sound.

RECEIVER CONTROLS

AM•FM Activates the tuner and toggles between the AM band and the FM band.

CTR MODE Changes the Center mode when using Dolby Pro Logic Surround or Dolby 3 Stereo surround modes. Press once and the current mode appears. Press again to change the mode.



USING THE UNIVERSAL REMOTE CONTROL

DELAY/CH CTRL Selects the amount of Surround Sound delay between the main and rear speakers. Choose from 15, 20 or 30 milliseconds. Press once and the current setting appears. Press again to change the setting.

SURROUND Lets you select a Surround Mode: Dolby Pro Logic Surround, Dolby 3 Stereo or Hall. Press once to turn on the surround mode last selected. Press again to change the mode.

SWAP AUDIO Swaps the audio only from the large picture to the small picture when you are watching TV and using picture-in-picture (PIP).

SURROUND SOUND LEVEL CONTROLS

- + Increases the volume in rear and center speakers.
- Decreases the volume in rear and center speaker.

BYPASS Turns on Bypass mode, which cancels all Surround sound modes. Sound is generated without effects.

REAR•CTR LEVEL Adjusts the balance level of the rear and center speakers. Press once for Center. Press again for Rear.

RECEIVER/TUNER CONTROLS

CH + and CH - Tunes the receiver to the next or previous preset station stored in the receiver's memory.

FWD Lets you manually move up the AM/FM band.

INPUT•SEEK Selects auto tuning or manual tuning mode.

MENU SELECT Stores the selected station in the receiver's memory.

Number Buttons Let you enter numbers when needed.

REV Lets you manually move down the AM/FM band.

TV CONTROLS

+ On some RCA TV models, used to adjust menu controls.

- On some RCA TV models, used to adjust menu controls.

ANTENNA Changes the antenna input.

CH + and CH - Tunes the TV channel up and down.

CLEAR Removes any menu from the screen.

DELAY/CH CTRL In some RCA TV models, lets you control the channel that appears in the PIP window or the main screen in PIP mode.

GO BACK•DISC Returns to the previous channel.

GUIDE•RDM For some models, brings up 12 small pictures (previews of the next 12 channels in the channel list). Press again to turn off channel guide.

INFO Displays channel information.

INPUT•SEEK For some TV models, toggles through the available input sources.

MENU SELECT For some models, stores channels in the TV's memory.

MOVE arrows In some models, when using PIP, moves the small picture to another corner of the screen. Also, used for menu navigation in some TV models.

Number Buttons Let you enter channel numbers and time settings when needed.

PIP Turns on and off picture-in-picture on most RCA TV models with PIP.

POWER Turns the TV off.

RESET•REP Returns picture quality controls to their original settings.

SKIP To change channels, press once. The TV will wait 30 seconds before returning to the original channel. Press repeatedly to increase the time.

SWAP PIP Swaps the main picture in the PIP window.

TV Turns on the TV and puts the remote in TV mode.

TV MENU Displays the TV's on-screen menus.

VCR CONTROLS

CH + and CH - Tunes to the next or previous channel when watching TV through the VCR.

USING THE UNIVERSAL REMOTE CONTROL

CLEAR Resets the tape counter and corrects entries when programming the menus.

FWD Fast forwards a tape. Also, searches forward while a tape is playing.

GO BACK•DISC Returns to the previous channel.

INFO Displays channel, time and counter information on the screen.

INPUT•SEEK For some VCR models, selects line input or tuner.

LD•VCR2 For some VCR models, if programmed, turns on a second VCR and puts the remote in VCR2 mode.

MENU SELECT Displays the on-screen programming menus.

Number Buttons Let you enter numbers when needed.

PAUSE Pauses a tape.

PLAY Plays a tape.

POWER Turns the VCR off.

REC Records a tape.

REV Rewinds a tape. Also, searches backward while a tape is playing.

SKIP To change channels, press once. The TV will wait 30 seconds before returning to the original channel. Press repeatedly to increase the time.

STOP Stops a tape.

VCR Turns on the VCR and puts the remote in VCR mode.

DVD PLAYER CONTROLS

CH + and CH - Changes to the next higher or lower track on DVD.

DVD Turns on the DVD player, and puts the remote in DVD mode.

FWD Scans forward on the DVD.

Number Buttons Let you change to a specific track.

PAUSE Pauses the DVD.

PLAY Plays the DVD.

PLAYLIST For some DVD models, if programmed, programs the DVD player to playback tracks in a certain order.

POWER Turns the DVD player off.

REW Scans backward on the DVD.

STOP Stops the DVD.

SATELLITE RECEIVER CONTROLS

ANTENNA Toggles between antenna input and satellite receiver input.

CH + and CH - Tunes to the next or previous channel when watching TV through the satellite system. Steps through the pages in the guide if in guide mode.

GUIDE•RDM Displays the guide on the screen.

INFO Displays satellite header on screen. When in the guide, lets you select a program. Lets you select an option in a menu.

MOVE arrows Lets you point to different on-screen menu items.

Number Buttons Let you enter numbers when needed.

POWER Turns the RCA DSS® receiver off.

CD PLAYER CONTROLS

CD Turns on the CD player and puts the remote in CD mode.

CLEAR Clears an entry when programming the CD player.

FWD Moves forward through the CD one track at a time.

GO BACK•DISC Selects a disc to be played. Press GO BACK •DISC and then the CD number using the number buttons.

GUIDE•RDM Activates the Random function, which plays a random selection of tracks from one or all CDs.

INFO In some CD models, lets you switch between the number track information and time information.

USING THE UNIVERSAL REMOTE CONTROL

MENU SELECT Programs the CD changer to play up to 32 tracks in any order you choose.

Number Buttons Let you enter numbers when needed.

PAUSE Pauses the CD.

PLAY Plays the CD.

RESET•REP Repeats a track, a CD or an entire program. Press once to repeat the currently playing track, twice for the CD or program, and three times to turn the function off.

REV Moves backward through the CD one track at a time.

STOP Stops the CD from playing.

TAPE DECK CONTROLS

FWD Fast forwards the tape.

Number Buttons Let you enter numbers when needed.

PAUSE Pauses the tape.

PLAY Plays the tape.

POWER Turns the tape player off.

REV Rewinds the tape.

TAPE Turns on the tape player and puts the remote in tape player mode.

LASERDISC PLAYER CONTROLS

CH + and **CH -** Changes to the next higher or lower chapter on the laserdisc.

FWD Scans forward on the laserdisc.

LD•VCR2 For some laserdisc models, if programmed, turns on the laserdisc player and puts the remote in laserdisc mode.

Number Buttons Let you change to a specific chapter.

PAUSE Pauses the laserdisc.

PLAY Plays the laserdisc.

PLAYLIST For some laserdisc models, if programmed, programs to playback chapters on laserdisc in a certain order.

POWER Turns the laserdisc player off.

REV Scans backward on the laserdisc.

STOP Stops the laserdisc.

PROGRAMMING THE UNIVERSAL REMOTE

You can program the remote to control most brands of remote controllable TVs, VCRs and cable boxes. If you have an RCA, GE or ProScan VCR, you may not need to program the remote at all. Other manufacturer's brands need to be programmed.

PROGRAMMING THE REMOTE TO CONTROL A TV

To determine whether you need to program the remote, turn on the TV, point the remote at the TV's remote sensor and press TV. Then, press the POWER, or CH + or CH - button to see if the TV responds to the remote commands. If not, you need to program the remote.

Follow these steps to program your remote to control your TV:

1. Turn on the TV.
2. Look up your TV brand and code number(s) in the code list on the next page or on the code sheet packed with your remote.
3. Press and hold the TV button on the remote.
4. Enter the three-digit code from the code list.
5. Release the TV button, then press POWER to see if the TV responds to the remote commands. If not, try pressing TV then POWER.
6. Repeat steps 3 through 5 using the next code listed for your TV brand until the TV responds to the remote commands.

If you have questions about the use of the remote buttons with another component, refer to the component's user's guide.

USING THE UNIVERSAL REMOTE CONTROL

PROGRAMMING THE REMOTE TO CONTROL A VCR

To determine whether you need to program the remote, turn on the VCR, point the remote at the VCR's remote sensor, and press VCR. Then, press the POWER or CH + or CH - button to see if the VCR responds to the remote commands. If not, you need to program the remote.

Follow these steps to program your remote to control your VCR:

1. Turn on the VCR.
2. Look up your VCR brand and code number(s) in the code list on the next page or on the code sheet packed with your remote.
3. Press and hold the VCR button on the remote.
4. Enter the three-digit code from the code list.
5. Release the VCR button, then press POWER to see if the VCR responds to the remote commands. If not, try pressing VCR then POWER.
6. Repeat steps 3 through 5 using the next code listed for your VCR brand until the VCR responds to the remote commands.

PROGRAMMING THE REMOTE TO CONTROL AN AUDIO COMPONENT

To program the remote for a remote-controllable audio component, point the remote at the component and press the correct component button: CD for a CD player, TAPE for a tape player, etc. Then, press POWER or CH + or CH - . If the component doesn't respond, the remote needs to be programmed. Use the codes in the code list on the next page or on the sheet packed with your remote.

Follow these steps to program your remote to control your audio component:

1. Turn on the component to be programmed.
2. Look up the brand and corresponding code number in the code list on page 28 or on the code sheet packed with your remote.
3. Press and hold the component button on the remote.
4. Enter the three-digit code from the code list.
5. Release the component button, then press POWER to see if the component responds to the remote commands. If it doesn't, try pressing the component button, then POWER again.

6. Repeat steps 3 through 5 using the next code listed for the brand of your component until the component responds to the remote commands.

PROGRAMMING THE REMOTE TO CONTROL A CABLE BOX

Refer to the cable box connection page or contact your cable company to hook up your cable box. You may be able to program the remote for your remote controllable cable box. Use the codes in the code list on page 28 or on the sheet packed with your remote.

1. Turn on the cable box.
2. Look up the cable box brand and its code number(s) in the code list on the next page or on the code sheet packed with the remote.
3. Press and hold the SAT•CABLE button on the remote.
4. Enter the three-digit code from the code list.
5. Release the SAT•CABLE button, then press POWER or CH + or CH - to see if the cable box responds to the remote commands. If not, try pressing SAT•CABLE, then POWER again to see if the cable box responds.
6. Repeat steps 3 through 5 using the next code listed for the brand of your cable box until the cable box responds to the remote commands.

PROGRAMMING THE REMOTE TO CONTROL A LASERDISC PLAYER

You may be able to program your remote to control a laserdisc player. Use the codes shown to the right or on the sheet packed with your remote.

Follow these steps to program your remote to control your laserdisc player:

1. Turn on the laserdisc player.
2. Look up the brand and its code number(s) in the code list.
3. Press and hold the LD•VCR2 button on the remote.
4. Enter the three-digit code from the code list.

LASERDISC PLAYER CODES

Pioneer	033, 037
ProScan	033, 037
RCA	033, 037

USING THE UNIVERSAL REMOTE CONTROL

PROGRAMMING THE REMOTE TO CONTROL A DVD PLAYER

The remote is preprogrammed to control a RCA DVD player. A few of the remote buttons used with a DVD player are shown below. You may want to experiment with other buttons on the remote to see if they work with your DVD player.

<u>Receiver Remote</u> (works like)	<u>DVD Remote</u>
INFO	INFO
GO BACK	GO BACK
CLEAR	CLEAR
MENU SELECT	MENU SELECT
MOVE Arrows	ARROWS
PLAYLIST	PLAYLIST
ENTER	ENTER

PROGRAMMING THE REMOTE TO CONTROL AN RCA BRAND DSS® RECEIVER

The remote is preprogrammed to control the RCA brand DSS® receiver. A few of the remote buttons used with the RCA brand DSS® receiver are shown below. You may want to experiment with other buttons on the remote to see if they work with your receiver.

<u>Receiver Remote</u> (works like)	<u>RCA brand DSS® Remote</u>
INFO	SELECT/DISPLAY
GO BACK	PREV CH
ANTENNA	TV/SAT
CLEAR	CLEAR
MENU/SELECT	MENU
MOVE ARROWS	ARROWS

PROGRAMMING THE REMOTE TO CONTROL A SATELLITE RECEIVER

1. Turn on the satellite receiver.
2. Look up the satellite receiver brand and corresponding code number(s) in the code list on the right.
3. Press and hold the SAT•CABLE button on the remote.
4. Enter the three-digit code from the code list.
5. Release the SAT•CABLE button, then press POWER or CH + or CH - to see if the receiver responds to the remote's commands. If it doesn't, try pressing SAT•CABLE, then POWER again.
6. Repeat steps 3 through 5 using the next code listed for the brand of your receiver until the receiver responds to the remote commands.

This remote may not operate all models of the brands shown.

If a battery is removed from the battery compartment of the remote control, all control key functions will return to the original mode.

To program the LD•VCR2 button to control a second VCR, follow these steps but use the LD•VCR2 button instead of the VCR button.

The buttons on the remote may not work on all other brands of components. Experiment with the remote and your components to see which buttons work.

REMOTE TV CODES

Admiral	005	JC Penney	000, 008, 011, 019, 027, 040, 068, 077, 086, 088	Radio Shack	000, 021, 025, 036, 037, 059, 064, 078
Amtron	064	Jensen	011, 027	RCA	000, 006, 011, 019, 027, 034, 038, 044, 046, 088, 100, 101, 109
Akai	002, 103	JVC	012, 024, 036, 037, 040, 048, 051, 074	Realistic	021
A-Mark	102	Kawasho	002, 011, 027	Sampo	011, 027
Anam	104, 105	Kenwood	006, 011, 014, 027	Samsung	006, 011, 014, 015, 019, 027, 036, 037, 077, 110
Anam National	038, 106	Kloss Novabeam	035, 043	Sanyo ..	017, 021, 039, 056, 057, 058
AOC	011, 019, 027, 088, 107	KTV	078	Scott	028, 037, 064
Bell & Howell	005	Loewe	013	Sears	000, 006, 011, 014, 017, 018, 021, 023, 027, 039, 040, 041, 051, 071, 083, 095
Candle	011, 027, 033	Luxman	011, 027	Sharp	011, 020, 025, 027, 037, 052, 053, 059, 060, 108
Citizen	011, 027, 033, 064	LXI	000, 013, 018, 021, 023, 054	Signature	005, 094
Colortyme	011, 027, 084	Magnavox	006, 007, 010, 011, 013, 016, 027, 033, 035, 043, 049, 066, 087, 089	Sony	002
Concerto	011, 027	Marants	013	Soundesign	011, 027, 033
Contec/Cony	036, 037, 040, 042, 064	Marantz	011, 013, 027, 069	Sylvania	006, 007, 010, 011, 013, 016, 027, 033, 035, 043, 049, 066, 087, 089
Craig	064	Memorex	005	Symphonic	064, 076
Curtis Mathes	000, 011, 015, 027, 037	MGA	006, 011, 014, 019, 022, 027, 041, 056, 061, 068	Tatung	038
CXC	064	Mitsubishi	006, 011, 014, 019, 022, 027, 041, 055, 056, 061, 068	Technics	012
Daewoo	011, 019, 027, 112	MTC	011, 019, 027	Techwood	011, 027
Daytron	011, 027	Multivision	081	Teknika	011, 019, 027, 033, 036, 037, 040, 066
Dimensia	000	NAD	018, 023	Telecaption	090
Electrohome	006, 011, 014, 027, 038, 061, 068	NEC	011, 014, 019, 027, 038, 084	TMK	011, 027
Emerson	011, 026, 027, 028, 029, 030, 031, 032, 037, 042, 053, 064, 065, 067, 075, 076, 078, 079, 094, 095, 096	Panasonic ...	012, 013, 038, 086, 111	Toshiba	018, 021, 023, 040, 071, 077, 085, 090
Envision	011, 027	Philco	006, 007, 010, 011, 013, 016, 019, 027, 033, 035, 037, 038, 043, 087, 089	Universal	008, 009
Fisher	017, 021, 039, 041	Philips	002, 006, 007, 010, 011, 013, 016, 033, 035, 037, 038, 043, 066, 073	Victor	051
Funai	064	Pioneer	011, 027, 045, 062, 093	Vidtech	019, 027
GE	000, 008, 009, 011, 012, 027, 038, 068, 086, 089, 091	Portland	011, 019, 027, 037	Wards	000, 005, 006, 007, 008, 009, 010, 011, 013, 019, 025, 027, 028, 035, 043, 059, 066, 076, 082, 089
Goldstar	003, 004, 006, 011, 019, 027, 037, 050	ProScan	000	Yamaha	006, 014, 019, 027
Hallmark	011, 027	Proton	011, 027, 037, 072	Zenith	001, 099
Hitachi	009, 011, 027, 036, 037, 040, 047, 048, 063, 080, 094, 097, 098	Quasar	012, 038, 092		
Infinity	013				
JBL	013				

REMOTE VCR CODES

Admiral	006	JVC	002, 014, 016, 030, 046, 074	Samsung.....	007, 013, 022, 032, 042
Aiwa	015	Kenwood	002, 014, 016, 030, 044, 046	Sansui	016, 071
Akai	003, 017, 022, 023, 063, 066	KLH	073	Sanyo	002, 012
Audio Dynamics	014, 016	Lloyd's	015	Scott	004, 013, 041, 049, 068
Bell & Howell	002	Logik.....	031	Sears	002, 005, 009, 012, 018, 019, 035, 043, 048
Broksonic	010	Magnavox	008, 029, 053, 056	Sharp	006, 024, 027, 039, 045
Candle	007, 009, 013, 044, 045, 046, 052	Marantz	002, 008, 014, 016, 029, 030, 044, 046, 061	Shintom.....	017, 026, 031, 055
Canon	008, 053	Marta	009	Signature	015
Capehart	001	MEI.....	008	Sony	017, 026, 038
Citizen	007, 009, 013, 044, 045, 046, 052	Memorex.....	008, 009, 012, 015	Sylvania	008, 015, 029, 053, 056
Colortyme	014	MGA	004, 027	Symphonic	015
Craig	007, 012	Midland.....	032	Tandy	002, 015
Curtis Mathes ..	000, 007, 008, 014, 015, 044, 046, 053, 064, 067	Minolta	005, 035	Tashiko	009
Daewoo.....	013, 045, 052, 076	Mitsubishi	004, 005, 027, 035, 040	Tatung	030
dbx	014, 016	Montgomery Ward	006	Teac	015, 030, 069
Dimensia	000	MTC	007, 015	Technics.....	008
Dynatech.....	015	Multitech	007, 015, 031, 032	Teknika	008, 009, 015, 021
Electrohome	027	NEC	002, 014, 016, 030, 044, 046, 059, 061, 064	TMK	067
Emerson	008, 009, 010, 013, 015, 020, 023, 027, 034, 041, 042, 047, 049, 057, 062, 065, 067, 068, 070	Panasonic	008, 053, 075, 077	Toshiba	005, 013, 019, 048, 049
Fisher	002, 012, 018, 019, 043, 048, 058	Pentax	005, 035, 044	Totevision	007, 009
Funai.....	015	Pentex Research +	046	Unitech.....	007
GE	000, 007, 008, 032, 037, 053	Philco	008, 029, 053, 056	Vector Research	014, 016, 044
Goldstar	009, 014, 046, 060	Philips	008, 029	Victor	016
Harman Kardon	014	Pioneer	005, 016, 050	Video Concepts.....	014, 016, 044
Hitachi	005, 015, 035, 036	Portland	044, 045, 052	Videosonic	007
Instant Replay	008	ProScan	000	Wards	005, 006, 007, 008, 009, 012, 013, 015, 025, 027, 031, 035
JCL.....	008	Quartz	002	Yamaha	002, 014, 016, 030, 046
JC Penney.....	002, 005, 007, 008, 014, 016, 030, 035, 051, 053	Quasar	008, 053	Zenith	011, 017, 026, 072
		RCA	000, 005, 007, 008, 028, 035, 037, 054, 069		
		Radio Shack/Realistic	002, 006, 008, 009, 012, 015, 019, 027, 043, 053		

AUDIO & CABLE CODES

AUDIO CODES

ads:	AMP	001
Aiwa:	CD	060
Akai:	AMP	002, 008
Denon:	CD	057
Dynamic Bass:	AM/FM	029
	CD	025
	TAPE	026, 027
	PHONO	028
Emerson:	CD	066
Fisher:	AMP	023
	CD	067
Hitachi:	CD	063
JVC:	AMP	016, 058
	AM/FM	030, 035
	CD	032
	TAPE	033, 034
	AUX	031
Kenwood:	AMP	017, 074
	AM/FM	074
	CD	067, 070, 077
	TAPE	071, 072
	PHONO	073
Kyocera:	AMP	009
Lotte (NEC):	AMP	075
Magnavox:	AMP	065
	AM/FM	065
	CD	061
Marantz:	AMP	022, 076
	AM/FM	076
	CD	068
Mitsubishi:	AMP	015, 059
	AM/FM	059
Nakamichi:	AMP	020
Onkyo:	AM/FM	082
	CD	078
	TAPE	080, 081
	PHONO	079
Panasonic:	AMP	012
	AM/FM	038
	CD	036, 083
	TAPE	037
Philips:	AMP	062
	AM/FM	062
	CD	061
Pioneer:	AMP	014
	AM/FM	042
	CD	039
	TAPE	040, 041
RCA:	AMP	024
	AM/FM	003
	CD	007, 043, 044
	TAPE	006
	PHONO	005
	AUX	004, 054
Realistic:	CD	063, 066
Sansui:	CD	045
Scott:	CD	066
	TAPE	055, 056
Sherwood:	AMP	011, 013
Sony:	AMP	021
	AM/FM	049
	CD	046
	TAPE	048, 053
	PHONO	047
Teac:	AMP	010
	CD	069
Technics:	AM/FM	052
	CD	050
	TAPE	051
Yamaha:	AMP	018, 019

REMOTE CONTROLLABLE CABLE BOX CODES

ABC	022, 046, 053, 054
Anvision	007, 008
Cablestar	007, 008
Diamond	056
Eagle	007, 008
Eastern International	002
General Instrument	046
GI 400	004, 005, 015, 023, 024, 025, 030, 036
Hamlin	003, 012, 013, 034, 048
Hitachi	037, 043, 046
Jerrol	004, 005, 015, 023, 024, 025, 030, 036, 045, 046, 047, 062, 065
Macom	037, 043
Magnavox	007, 008, 019, 021, 026, 028, 029, 032, 033, 040, 041
NSC	009
Oak	001, 016, 038
Oak Sigma	016
Panasonic	003, 027, 039, 061
Philips	007, 008, 019, 021, 026, 028, 029, 032, 033, 040, 041
Pioneer	018, 020, 044
Randtek	007, 008
RCA	000, 027
Regal	003, 012, 013
Regency	002, 033
Samsung	044
Scientific Atlanta	003, 022, 035, 063, 064
Signature	046
Sprucer	027
Starcom	046
Stargate 2000	058
Sylvania	011, 059
Teknika	006
Texscan	010, 011, 059
Tocom	017, 021, 049, 050, 055
Unika	031, 032, 041
Universal	051, 052, 060
Viewstar	007, 008, 019, 021, 026, 028, 029, 032, 033, 040, 041
Warner Amex	044
Zenith	014, 042, 057, 061

CARE AND MAINTENANCE

TROUBLESHOOTING TIPS

RECEIVER/TUNER OPERATION

STEREO indicator is off.

- Adjust the antenna.
- The signal is too weak. Connect an external antenna.
- The signal is Mono.
Severe hum or noise.
- The signal is too weak. Connect an external antenna.
- Adjust the antenna.

REMOTE CONTROL OPERATION

The remote control does not operate the unit.

- Another function is selected on the remote. Press the correct function button.
- No batteries installed. (Included with your system) Install the batteries before attempting to operate the remote. Be sure to match the + and - ends of each battery to the symbols shown in the remote battery compartment.
- The batteries are exhausted. Replace all batteries.
- The remote is not pointed at the remote control sensor on the main unit or there is an obstacle between the remote and the main unit.
- The remote control is too far from the main unit.
- Move closer.

GENERAL

No audio.

- Make sure the MUTE indicator on the front panel is off.
- Make sure the speakers are turned on.
- Check the connections.
- Check the power cord connection.
No audio from one channel.
- Adjust the balance control.
- Check the speaker wire connection or connecting cable. Noise when the TV is turned on.
- The TV is too close to the audio system.
Specific instruments sound displaced.
- Check the connection between the receiver and the speakers.
The sound does not match the video.
- Press the function button for the video source.

CLEANING THE EXTERIOR

- Disconnect the system from AC power before cleaning the exterior of the system with a soft dust cloth.

EQUIPMENT SPECIFICATIONS

AMPLIFIER SECTION

Left/Center/Right (at 8 Ω):

RV-9968	20 watts/20 watts/20 watts
RV-9978	50 watts/50 watts/50 watts
	0.9% THD @ 1 KHz

Rear Surround (at 16 Ω):

RV-9968	10 watts/10 watts
RV-9978	25 watts/25 watts
	1.0% THD @ 1 KHz

Muting Attenuation: 50dB

Frequency Response 40-20 kHz +/- 3 dB

VIDEO SECTION

Input (Sensitivity/Impedance): 1 Vp-p/75 Ω

Output (Level/Impedance): 1 Vp-p/75 Ω

Frequency Response: 10 Hz to 6MHz at +/- 3 dB

Signal to Noise Ratio: 40 dB

Crosstalk @ 3.58 MHz: 40 dB

AM TUNER SECTION

Frequency Response: 80 Hz -2 kHz +/- 6 dB

Usable Sensitivity: 800 uV/m @ S/N 20 dB

Signal to Noise : 38 dB

Image Ratio: 27 dB @ 1000 kHz

IF Rejection: 35 dB

FM TUNER SECTION

Frequency Response: 40 Hz-15 kHz +/- 3 dB

Quieting 24 dBu

Signal to Noise: 60 dB (stereo)/65 dB(mono)

Image Ratio: 40 dB

IF Rejection: 50 dB

Specifications are based on nominal measurements.

INDEX

SYMBOLS

+ button 16, 17
- button 16, 17

A

Accessories included 4
AM•FM button 9, 16
ANTENNA button 17
Audio codes 24
AUDIO SWAP button 16

B

BAND button 9
Basic controls on the remote 16
BYPASS button 16

C

Cable box 20
Care and maintenance 25
Cleaning 25
CH CTRL/DELAY button 17
CHAN up and down buttons 17
CLEAR button 17
Connecting components 11
CTR MODE button 16

D

DISPLAY button 17

E

Equipment specifications 25

F

FF button 17, 18

G

GUIDE•RDM button 18

H

Headphones 7

I

INPUT•SEEK button 17

L

Laserdisc codes 20

M

MENU/PROGRAM button 17, 18
MOVE arrows 17
MUTE button 16, 17

N

Number buttons 17, 18

P

P. SCAN button 8
PAUSE button 17, 18, 19
PIP button 16, 17
PLAY button 16, 18, 19
POWER button 16, 17, 18, 19
Preset stations
 playing 10
 setting 10
PREV CH•DISC button 16, 17, 18
PROGRAM button 9
Programming the remote to control
 a cable box 20
 Laserdisc 20
 RCA DSS® Receiver 20
 satellite receiver 20
 TV 19, 20
 VCR 20

R

RCA DSS® Receiver codes 21
REAR•CTR Level button 17
REC button 17
Receiver controls on the remote 16
Remote
 Basic controls 16
 programming 20
Remote control buttons 16
RESET•REP button 17
REV button 17, 18

S

SKIP button 17
Speaker terminals, matching 11
Speakers 5
Specifications, equipment 25
Stations
 preset 9
 storing in memory 9, 10
STOP button 17, 18
Storing stations in memory 10
Subwoofer, connecting 11
SURROUND button 16, 17
Surround sound level controls 16
SWAP PIP button 17

T

Troubleshooting tips 25
Tuning the receiver 9
TV controls 17
TV button 17
TV MENU button 17

V

VCR1 button 17, 18
VCR2•LD button 17, 18
VOL up and down buttons
 16, 17, 18

LIMITED WARRANTY

What your warranty covers:

- Any defect in materials or workmanship.

For how long after your purchase:

- One year. (The warranty period for rental units begins with the first rental or 45 days from date of shipment to the rental firm, whichever comes first.)

What we will do:

- Provide you with a new, or at our option, a refurbished unit.
- The exchange unit is under warranty for the remainder of the original product's warranty period.

How to make a warranty claim:

- Properly pack your unit. Include any cables, etc., which were originally provided with the product. We recommend using the original carton and packing materials.
- Include in the package evidence of purchase date such as the bill of sale. Also print your name and address and a description of the defect. Send standard UPS or its equivalent to:

Thomson Consumer Electronics, Inc.

Product Exchange Center

32B Spur Drive

El Paso, Texas 79906

- Pay any charges billed to you by the Exchange Center for service not covered by the warranty.
- Insure your shipment in case of loss or damage. Thomson accepts no liability in case of damage or loss.
- A new or refurbished unit will be shipped to you prepaid freight.

What your warranty *does not* cover:

- Customer instruction. (Your Owner's Manual provides information regarding operating instructions and user controls. For additional information, ask your dealer.)
- Installation and set-up service adjustments.
- Batteries.
- Damage from misuse or neglect.
- Products which have been modified or incorporated into other products.
- Products purchased or serviced outside the USA.
- Acts of God, such as but not limited to lightning damage.

Product Registration:

- Please complete and mail the Product Registration Card packed with your unit. It will make it easier to contact you should it ever be necessary. The return of the card is not required for warranty coverage.

How state law relates to this warranty:

- This warranty gives you specific legal rights, and you may have other rights which vary from state to state.

If you purchased your product outside the USA:

- This warranty does not apply. Contact your dealer for warranty information.

CANADIAN SERVICE

Thomson Consumer Electronics Canada, Inc. warrants to the purchaser or gift recipient that if any manufacturing defect becomes apparent in this product within 1 year from the original date of purchase, it will be replaced free of charge, including return transportation.

This warranty does not include damage to the product resulting from accidents, misuse or leaking batteries.

Should your product not perform properly during the warranty period, either:

1. Return it to the selling dealer with proof of purchase for replacement,

OR

2. Remove the batteries (where applicable), and pack product complete with accessories in the original carton (or equivalent).

— Mail prepaid (with proof of purchase) and insured to:

Thomson Consumer Electronics Canada, Inc.

Distribution Centre

7400 A Bramalea Road

Mississauga, Ontario L5S 1X1

The provisions of this written warranty are in addition to and not a modification of or subtraction from the statutory warranties and other rights and remedies contained in any applicable legislation, and to the extent that any such provisions purport to disclaim, exclude or limit any such statutory warranties and other rights and remedies, such provisions shall be deemed to be amended to the extent necessary to comply therewith.

If you are unable to find a qualified servicer for out of warranty service, you may write to:

Thomson Consumer Electronics Canada, Inc.

P.O. Box 0944

Indianapolis, Indiana, U.S.A., 46206-0944

Attach your sales receipt to this booklet for future reference. This information is required if service is needed during the warranty period.

PURCHASE DATE _____

NAME OF STORE _____

 **THOMSON CONSUMER ELECTRONICS**

©1998 Thomson Consumer Electronics, Inc.

10330 North Meridian Street

Indianapolis, IN 46290-1024

Trademark(s)® Registered

Marca(s) Registrada(s)

Marque(s) ® déposée(s)

Model Number RV-9968/RV-9978

15333040 (E/S/F Rev. 1)

98-17

Printed in Hong Kong

GUIA DEL USUARIO

RV-9968

RV-9978



ROEER

AUDIO/VIDEO RECEPTOR

INFORMACION LA COMISION FEDERAL DE COMUNICACIONES

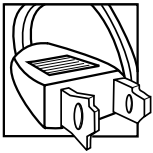
Este aparato genera y usa energía en radio frecuencia (RF) y si no se instala y usa adecuadamente este equipo puede causar interferencia a la recepción de radio y televisión.

Este equipo ha tenido prueba-tipo y cumple con los límites con las especificaciones del Inciso J de la Parte 15 de los Reglamentos FCC. Estos reglamentos están diseñados para proveer la protección razonable contra la interferencia de radio y televisión en una instalación residencial. De cualquier modo, no existe garantía de que la interferencia no se produzca en una instalación particular.

Si este equipo causa interferencia a la recepción de radio o televisión (lo cual se determina activando y desactivando el equipo), trate de corregir la interferencia mediante una o más de las siguientes medidas:

- Reoriente la antena receptora (esto es, la antena de la radio o televisión que está "recibiendo" la interferencia).
- Aleje la unidad del equipo receptor de interferencia.
- Enchufe la unidad a un tomacorriente de otra pared para que así la unidad y el equipo receptor de interferencia estén en circuitos diferentes.

Si estas medidas no eliminan la interferencia, favor de consultar al distribuidor o un técnico experto en radio/televisión para sugerencias adicionales. También, la Comisión Federal de Comunicaciones ha preparado un manual útil, "Como Identificar y Resolver los Problemas de Interferencia Radio/Televisión" ("How to Identify and Resolve Radio TV Interference Problems"). Este manual puede obtenerse en: U.S. Government Printing Office, Washington, D.C. 20402. Favor de especificar el número 004-000-00345-4 al pedir las copias.



PARA SU SEGURIDAD

El enchufe de alimentación eléctrica de corriente alterna está polarizado (una punta del enchufe es más ancha que la otra) y sólo entra en las tomas de corriente alterna de una sola manera. Si el enchufe no entra en la toma completamente, déle la vuelta al enchufe e intente insertarlo de la otra manera. Si tampoco entra en la toma de esa otra manera, solicite los servicios de un electricista cualificado que le cambie la toma o use otra toma diferente en otro lugar de la casa. **No intente saltarse esta importante característica de seguridad.**

INFORMACIÓN DE SERVICIO

Este producto sólo debe ser reparado por un personal especialmente adiestrado en técnicas apropiadas de reparación.

PARA SUS ARCHIVOS

Según algunas leyes estatales y en el caso de que se requieran servicios de reparación, puede ser necesario indicar tanto el número del modelo como el número del serial. En los siguientes espacios en blanco, anote la fecha y el lugar en que efectuó la compra y el número de serial de su unidad:

Modelo No. RV-9968/RV-9978

Control Remoto No. CRK67G

Fecha de compra _____

Lugar de compra _____

Serial No. _____

ADVERTENCIA: PARA PREVENIR EL RIESGO DE UNFUEGO O DE UNA SACUDIDA ELECTRICA, NO EXPONGA ESTE APARATO A LA LLUVIA O A LA HUMEDAD.

	ATTENTION: RIESGO DE SACUDIDA ELECTRICA O ABRA	
EL RELÁMPAGO Y LA PUNTA DE FLECHA DENTRO DEL TRIÁNGULO ES UNA SEÑAL DE ADVERTENCIA, ALERTÁNDOLE A UD. DE QUE HAY "VOLTAJE PELIGROSO" DENTRO DEL PRODUCTO.	CUIDADO: PARA REDUCIR EL RIESGO DE UNA SACUDIDA ELECTRICA, NO quite la cubierta (o parte posterior) NO USE PARTES DE REPUESTO DENTRO. CONSULTE A ALGUNA PERSONA CALIFICADA DEL SERVICIO DE REPARACIONES.	EL SIGNO DE EXCLAMACION DENTRO DEL TRIANGULO ES UNA SEÑAL DE ADVERTENCIA, ALERTÁNDOLE A UD. DE QUE EL PRODUCTO, TRAE INCLUIDO, INSTRUCCIONES MUY IMPORTANTES.
VEA ADVERTENCIA EN LA PARTE POSTERIOR/BASE DEL PRODUCTO.		

INDICE

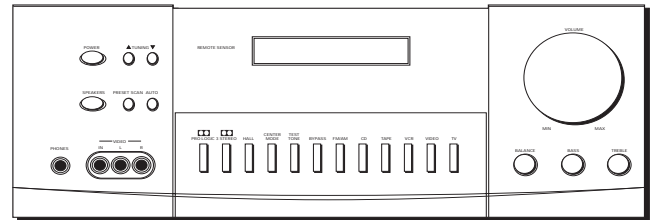
INTRODUCCIÓN	4
DESEMBALE DEL RECEPTOR.....	4
CONEXIONES BÁSICAS	4
CONEXIÓN, POSICIÓN Y AJUSTE DE LOS ALTAVOCES	5
CONEXIÓN DE LAS ANTENAS.....	7
CONEXIÓN A LA FUENTE DE ALIMENTACIÓN	7
UTILIZACIÓN DE LOS AUDÍFONOS	7
CONTROLES Y FUNCIONAMIENTO	
DEL RECEPTOR.....	8
CONTROLES GENERALES	8
MENSAJES	9
SINTONIZACIÓN DEL RECEPTOR	9
CAMBIO DE AUDIO	10
CONEXIÓN DE LOS COMPONENTES AUXILIARES.....	11
ANTES DE HACER LA CONEXIÓN	11
CONEXIÓN DE UN RECEPTOR PARA SATÉLITE	12
CONEXIÓN DE LOS COMPONENTES COMPLEMENTARIOS	12
CONEXIÓN DE UN LECTOR DE DISCOS COMPACTOS	13
CONEXIÓN DE UNA GRABADORA	13
CONEXIÓN DE UN ALTAVOZ PARA SUBGRAVES PASIVO	13
ULTIMA CONEXIÓN	14
CONTROL REMOTO UNIVERSAL	16
INSTALACIÓN DE LAS PILAS	16
CONTROLES BÁSICOS.....	16
PROGRAMACIÓN DEL CONTROL REMOTO UNIVERSAL	19
CÓDIGOS PARA EL CONTROL REMOTO DEL TV	22
CÓDIGOS PARA EL CONTROL REMOTO DEL VCR	23
CÓDIGOS PARA AUDIO Y CAJAS DE CABLE	24
CUIDADO	25
CONSEJOS PARA LA DETECCIÓN DE FALLAS	25
ESPECIFICACIONES TÉCNICAS	25
LIMPIEZA	25
INDICE TEMÁTICO.....	26
GARANTÍA LIMITADA	27

INTRODUCCIÓN

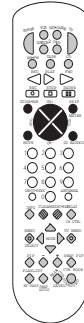
DESEMBALE DEL RECEPTOR

Desembale el receptor e identifique todos los accesorios. Usted debería tener;

- un aparato receptor;
- un control remoto universal RCA (CRK67G)
- dos paquetes - un par cada uno - de pilas AAA;
- un cable para audio (dos alambres) con conectores rojos y blanco RCA;
- un cable de video (un alambre) con conectores amarillos RCA;
- una antena externa FM, desmontable, tipo "T";
- una antena exterior de bucle para AM;
- un manual de instrucciones;
- una tarjeta de registro/sondeo;
- un folleto de seguridad.



Aparato receptor



Control remoto



Cable de video



Cable para audio



Antena de bucle para AM



Antena FM, tipo T

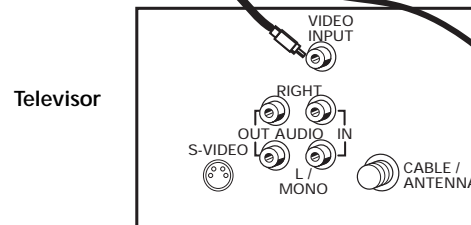
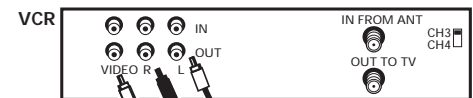
CONEXIONES BÁSICAS

Si usted tiene un VCR, los pasos siguientes le permitirán instalar rápidamente el nuevo receptor. Si usted tiene otros equipos electrónicos, consulte el índice o el índice temático para encontrar la página dónde se encuentra la descripción de la conexión que mejor se adapta a su situación.

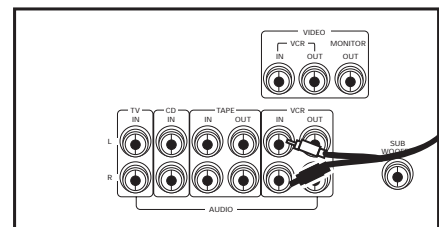
*Los cables y jacks vienen de distintos colores para facilitar la instalación.

1. Con un cable de audio con conectores rojos y blancos, conecte la salida del jack de audio ("OUT"), en la parte posterior de su VCR estéreo, al jack de entrada ("IN"), en la parte posterior del receptor.
2. Con el cable de video con conectores amarillos, conecte el jack de salida de video ("OUT"), en la parte posterior del VCR, a la entrada de video ("IN/INPUT"), en la parte posterior del televisor. Si hubiere varios jacks de video en la parte posterior del televisor, utilice "VIDEO 1."

Observación: si su televisor tiene más de una entrada de video, asegúrese de que las teclas del VCR y VIDEO sintonicen el televisor en el mismo canal en que está sintonizada la salida del monitor del receptor. Para mayor información, consulte la guía del usuario de su televisor.



Receptor de audio



INTRODUCCIÓN

CONEXIÓN, POSICIÓN Y AJUSTE DE LOS ALTAVOCES

CONEXIÓN DE LOS CABLES

Cada altavoz - los dos principales, los de sonorización periférica y el central - tiene un juego definido de terminales en el panel trasero de la unidad central.

Desenrolle los cables de los altavoces hasta encontrar los extremos desnudos. Mantenga oprimida la lengüeta que abre el terminal rojo e inserte el cable rojo (+). Suelte la lengüeta para que se cierre. Haga lo mismo para el cable negro (-) que va en el terminal negro.

Advertencia: siga estas instrucciones cuidadosamente. El equipo puede dañarse si los altavoces se conectan erróneamente.

INSTALACIÓN PARA SONORIZACIÓN PERIFÉRICA

ALTAVOCES PRINCIPALES

Los dos altavoces principales deben situarse entre seis y 10 pies (1,8 y 3,0 metros) de distancia. El situar los altavoces a menor o mayor distancia puede distorsionar el sonido.

Los altavoces deben estar a un ángulo de 45 grados en relación al punto convergente de sonido del cuarto, para crear un triángulo de placer auditivo.

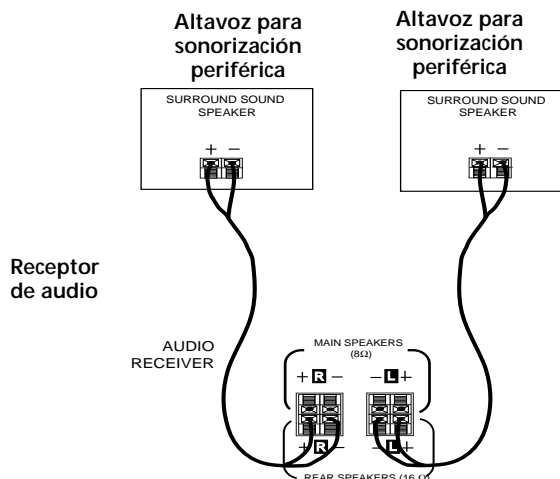
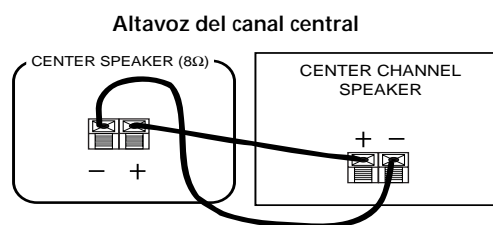
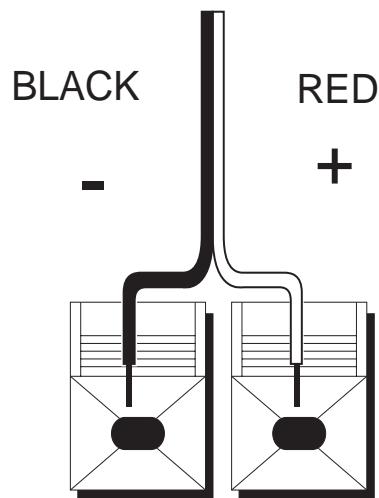
Observación: cuando no utilice el altavoz central, es posible acercar los altavoces principales entre sí. Sin embargo, no los sitúe tan cerca que sus campos magnéticos puedan afectar la recepción de la televisión.

ALTAVOCES CENTRALES

Para un funcionamiento óptimo el altavoz central se debe colocar casi a la misma altura de los altavoces principales derecho e izquierdo. También se debe tratar de alinear los tres altavoces o situar el altavoz central ligeramente detrás de los principales derecho e izquierdo. No debe situar el altavoz central delante de los altavoces principales izquierdo y derecho, pues esto distorsionaría el sonido para los oyentes que no estén en el centro del cuarto.

ALTAVOCES DE SONORIZACIÓN PERIFÉRICA

Para lograr un funcionamiento óptimo, la localización de los altavoces de sonorización periférica depende realmente del tamaño y tipo del recinto en el que se va a instalar el equipo.



INTRODUCCIÓN

A continuación se dan algunas sugerencias para instalar el equipo:

1. Instale los altavoces en un muro lateral, uno frente al otro, aproximadamente a unos tres pies (90 cm) por encima de la cabeza del oyente.
2. Oriente los altavoces directamente hacia los dos altavoces principales, igualando alturas. Si el cuarto está poco amoblado, puede ser necesario inclinar los altavoces hacia abajo para mejorar la calidad del sonido.
Si el recinto tiene mucho mobiliario, puede ser necesario orientar los altavoces hacia el fondo o hacia arriba.
3. Instale los altavoces en el cielo raso. Colóquelos a unos cuantos pies de distancia de los oyentes y asegúrese de que estén uno frente al otro y no orientados hacia el piso.

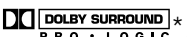
Indudablemente hay muchas posiciones posibles, por lo tanto, será necesario experimentar para encontrar el equilibrio que mejor se adecúa a su situación.

ALTAVOZ PARA SONIDOS SUBGRAVES

Antes de comenzar, asegúrese de que el altavoz para sonidos subgraves está apagado y desconectado. Conecte su receptor A/V a la entrada del altavoz, tal como se muestra en la ilustración.

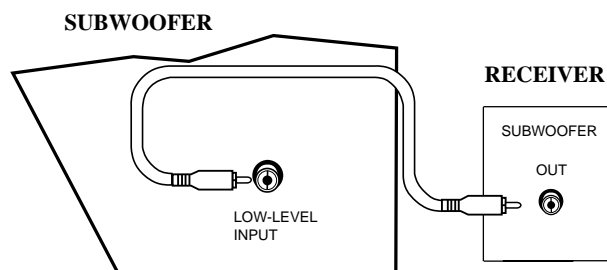
Observación: si el receptor tiene una sola salida, debería conectarse a la entrada que dice L/mono.

EQUILIBRIO ACÚSTICO DEL SISTEMA DE ALTAVOCES

Su sistema viene con *, que le permite reproducir los efectos sonoros tales como fueron diseñados. Sin embargo, para lograrlo, los altavoces deben estar equilibrados correctamente.

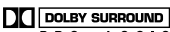

Para equilibrar acústicamente los altavoces mediante el tono de prueba, se deberán conectar todos los altavoces a su receptor. Su receptor deberá estar en sonorización periférica Dolby Pro Logic.

1. Oprima la tecla TEST TONE (tono de prueba) en el panel delantero del receptor. El receptor generará "ruido rosado" y lo aplicará automáticamente a intervalos de 2 segundos al canal principal izquierdo, canal central, canal principal derecho, y canales posteriores izquierdo y derecho (simultáneamente), en ese orden.



Siéntese cómodamente y escuche...

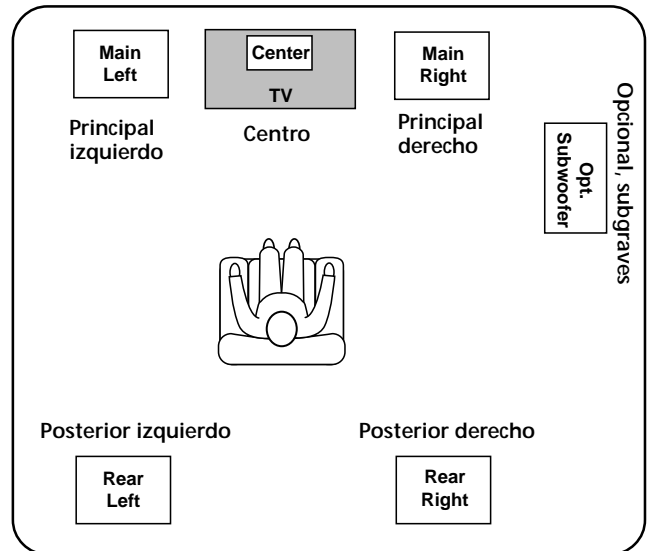
La mejor sintonización se realiza con el control remoto, por lo tanto los ajustes pueden hacerse desde el lugar donde uno se siente para mirar o escuchar.

*  Fabricado bajo licencia de Dolby Laboratories Licensing Corporation. Dolby, el símbolo doble  y "Pro Logic" son marcas de comercio de Dolby Laboratories Licensing Corporation.

INTRODUCCIÓN

2. A medida que se genera el ruido rosado, vaya al lugar de la sala donde probablemente se instale para escuchar su sistema. El altavoz de sonorización periférica posterior y el altavoz central deberían equilibrarse para igualar el nivel de potencia de salida de los altavoces principales izquierdo y derecho.
Cada vez que usted oprima la tecla + o - del control remoto para ajustar un canal, el receptor le brinda dos segundos adicionales de ruido rosado a ese canal antes de pasar al próximo.
3. Haga los ajustes oprimiendo la tecla REAR*CTR (centro*atrás), y luego la tecla + o - del control remoto. La potencia de salida de los altavoces seleccionado(s) se ajusta en consecuencia.
Cada vez que usted oprima la tecla + o - del control remoto para ajustar un canal, el receptor le brinda dos segundos adicionales de ruido rosado a ese canal antes de pasar al próximo.
4. Para terminar la prueba oprima nuevamente la tecla TEST TONE.
Puede que usted no necesite verificar o ajustar otra vez estos niveles, a menos que cambie su sistema de lugar, reinstale los altavoces, o cambie su lugar preferido para sentarse en la sala.

EJEMPLO DE INSTALACIÓN PARA LA MEJOR SONORIZACIÓN PERIFÉRICA

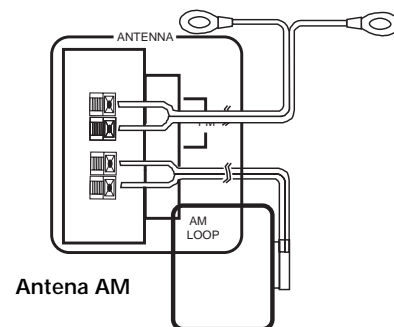


CONEXIÓN DE LAS ANTENAS

Las antenas AM y FM se conectan a los terminales de AM y FM, situados en el panel trasero del equipo. Para tener una buena recepción, es necesario que estén conectadas.

Desenrolle los cables de la antena y localice las puntas desnudas. Oprima la lengüeta para abrir el terminal e inserte el cable. Cierre la lengüeta.

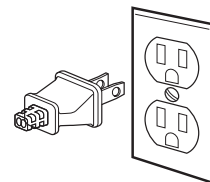
Después de conectar las antenas, extiéndalas al máximo y ajuste su posición para lograr la recepción óptima.



CONEXIÓN A LA FUENTE DE ALIMENTACIÓN

Antes de enchufar su receptor asegúrese de que todos los componentes electrónicos y los altavoces estén conectados.

Enchufe el cable de alimentación en un tomacorriente, entrando la hoja ancha del enchufe en la ranura ancha del tomacorriente. Introduzca el enchufe completamente.



UTILIZACIÓN DE LOS AUDÍFONOS

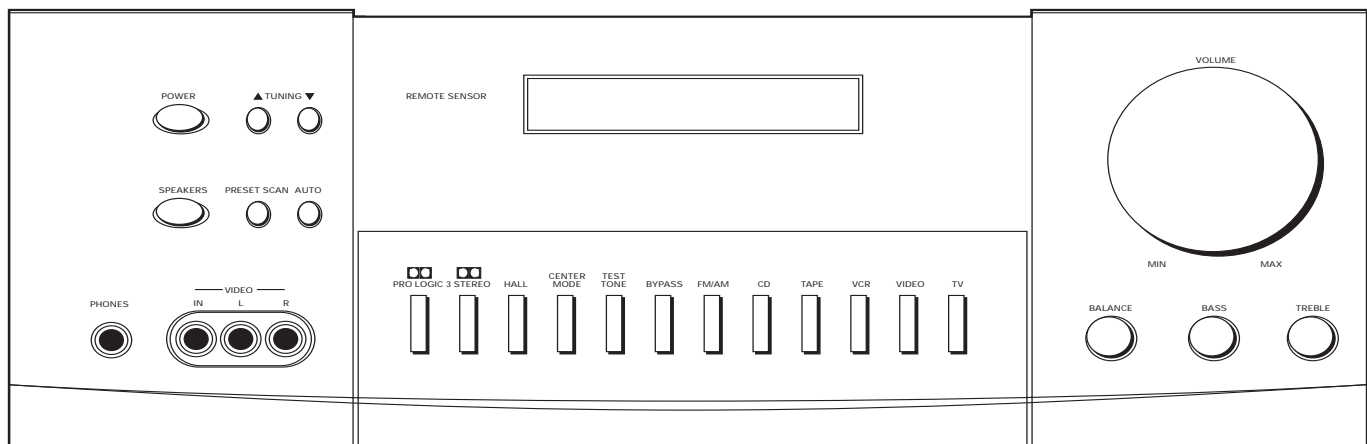
Para escuchar en privado su sistema de audio, use el jack de audífonos que está a la derecha del control de volumen del receptor.

Genere una conmoción pero no en sus oídos

Baje el volumen del estéreo antes de ponerse los audífonos. Aumente el volumen al nivel deseado, después de ponerse los audífonos - no se incluyen.



CONTROLES Y FUNCIONAMIENTO DEL RECEPTOR



CONTROLES GENERALES

ENCENDIDO/DISPONIBLE

La tecla POWER STAND BY/ON (encendido/disponible) enciende y apaga el sistema. Cuando el sistema se prende, la sistema vuelve al último modo de funcionamiento utilizado antes de apagarse.

SINTONIZACIÓN, RETROCESO/AVANCE

La tecla TUNING DOWN/UP (sintonización, retroceso/avance) permite barrer la banda activa para buscar su estación.

ALTAVOCES

La tecla SPEAKERS (altavoces) permite activar y desactivar los altavoces, dándole más control sobre la programación personalizada de su equipo.

BARRIDO PRESELECCIONADO

La tecla PRESET SCAN (barrido preseleccionado) facilita el acceso a un máximo de 30 estaciones de radio preseleccionadas.

SINTONIZACIÓN AUTOMÁTICA/MANUAL

La tecla AUTO permite seleccionar la sintonización automática o manual.

EQUILIBRIO ACÚSTICO

La perilla BALANCE (equilibrio acústico) permite ajustar manualmente el sonido emitido por los altavoces.

GRAVES

La perilla BASS (graves) permite ajustar manualmente el nivel de graves en los altavoces.

AGUDOS

La perilla TREBLE (agudos) permite ajustar manualmente el nivel de tonos agudos en los altavoces.

TECLAS DE FUNCIONES

Las teclas FUNCTIONS (teclas de funciones) incluyen el CD (disco compacto), TAPE (grabadora), FM/AM, TV, VCR, VIDEO.

TONO DE PRUEBA

La tecla TEST TONE se usa únicamente en el modo Dolby Pro Logic. Esta característica le permite equilibrar sus altavoces mientras ellos emiten el sonido denominado "ruido rosado," en los canales izquierdo, central, derecho y el de sonorización periférica, en secuencia y durante dos segundos cada uno.

Observación: este procedimiento se explica detalladamente en "Equilibrio acústico de los altavoces," en la página 4.

MODO CENTRAL

La tecla CENTER MODE (modo central) permite seleccionar el modo normal, sin altavoz central o completo. Estos modos pueden utilizarse únicamente cuando está activado Dolby Pro Logic o Dolby 3 Stereo:

NORMAL

Este modo puede activarse en Pro Logic y 3 Stereo.

Toma las bajas frecuencias del canal central y las distribuye a los altavoces principales derecho e izquierdo para mantener la integridad original del programa.

PHANTOM (SIN ALTAVOZ CENTRAL)

Este modo puede activarse sólo en Pro Logic. Utiliza únicamente los dos altavoces principales y los dos de sonorización periférica. El altavoz central está desactivado y el sonido que, por lo general, sale del mismo se distribuye a través de los altavoces principales derecho e izquierdo.

CONTROLES Y FUNCIONAMIENTO DEL RECEPTOR

WIDE (COMPLETO)

Este modo puede activarse en Pro Logic y 3 Stereo.

Este modo utiliza los tres altavoces centrales - principal izquierdo, principal derecho y central - y todo el sonido sale por el altavoz central. El altavoz central reproducirá los mismos niveles graves de los altavoces principales derecho e izquierdo.

MODO DE SONORIZACIÓN PERIFÉRICA

En la categoría SURROUND MODE (sonorización periférica) se incluyen Dolby Pro Logic, Dolby 3 Stereo, Hall y Bypass.

DOLBY PRO LOGIC

El modo Pro Logic usa los cinco altavoces, de manera tal que el sonido envuelve todo el recinto.

DOLBY 3 STEREO

El modo 3 Stereo usa los dos altavoces principales y uno central.

HALL

El modo Hall (salón) reproduce la sensación de oír un concierto o ver una obra de teatro como si fuera en vivo. Usa los altavoces principales y los de sonorización periférica.

BYPASS

El modo Bypass (eliminación) usa únicamente los altavoces principales.

VOLUMEN PRINCIPAL

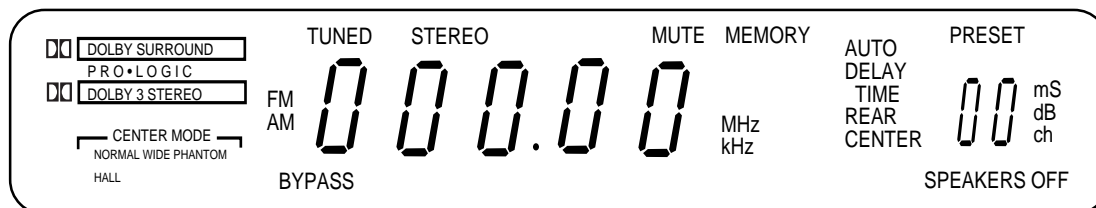
La perilla Master Volume (volumen principal) permite ajustar el nivel de salida de audio.

AUDÍFONOS

El receptor está acondicionado con jacks para audífonos. Enchufe sus audífonos - no incluidos - en el jack correspondiente y escuche su programa favorito en absoluta intimidad.

MENSAJES

A continuación se da un ejemplo de todos los mensajes que puede tener cuando usa su receptor. Los mensajes específicos se mencionan en las secciones donde se aplican.



SINTONIZACIÓN DEL RECEPTOR

1. Para activar el sintonizador, oprima nuevamente la tecla FM/AM del receptor (o la tecla AM*FM del control remoto).
2. Para seleccionar la banda FM o AM, oprima la tecla FM/AM del receptor (o la tecla AM*FM del control remoto).

SINTONIZACIÓN

Oprima la tecla FF del control remoto para avanzar en la banda AM o FM.

Oprima la tecla REW de su control remoto para descender en la banda AM o FM.

SINTONIZACIÓN AUTOMÁTICA

Use la función AUTO (automático) para buscar automáticamente emisoras con señales suficientemente fuertes.

Oprima AUTO en el receptor (o la tecla INPUT-SEEK - buscar - de su control remoto) para poner el receptor en el modo AUTO. En el visor aparecerá "AUTO". Oprima la tecla TUNING (sintonización) hacia arriba o abajo del receptor para buscar una emisora. El sintonizador la encontrará y se detendrá en la próxima emisora, cuya frecuencia sea lo suficientemente fuerte para la recepción. Para continuar la búsqueda, oprima nuevamente TUNING hacia arriba o abajo.

CONTROLES Y FUNCIONAMIENTO DEL RECEPTOR

PROGRAMACIÓN DE EMISORAS EN LA MEMORIA

Usted puede programar hasta 30 emisoras de AM y FM, que pueden guardarse en forma aleatoria.

PARA PROGRAMAR UNA EMISORA

1. Oprima la tecla FM/AM del receptor (o la tecla AM*FM del control remoto) para encender el receptor.
2. Seleccione la banda FM o AM.
3. Seleccione la emisora que usted quiere programar en la memoria, utilizando los métodos descritos arriba.
4. Oprima la tecla MENU-SELECT del control remoto. En el visor destellará "MEMORY" (memoria). Mientras destelle "MEMORY", oprima las teclas numéricas del control remoto correspondientes a la emisora.

Para las emisoras 1, 2 ó 3 oprima 0, luego oprima 1, 2, ó 3. Para las emisoras 4 hasta 30, oprima directamente los números.

PARA ESCUCHAR UNA EMISORA PROGRAMADA

Oprima los números correspondientes de las emisoras programadas. Para las emisoras 1, 2 ó 3 oprima 0, luego oprima 1, 2, ó 3. Para las emisoras 4 hasta 30, oprima directamente los números.

De lo contrario, para sintonizar la próxima emisora programada, oprima CH + (canal, arriba) del control remoto o CH - (canal, abajo) para sintonizar la emisora programada previa.

BARRIDO PROGRAMADO

Use la tecla PRESET SCAN (barrido programado) del panel delantero del receptor para explorar las emisoras programadas y guardadas en la memoria del sintonizador. En el visor aparecen "PRESET" (programado) y la ubicación de la emisora en la memoria. El sintonizador barre automáticamente todas las emisoras programadas en orden, deteniéndose en cada una durante unos 5 segundos.

Cuando el sintonizador llega a la emisora que usted quiere escuchar, oprima PRESET SCAN (barrido programado) para detener la exploración. Si el barrido no se interrumpe, el sintonizador pasa por todas las emisoras programadas en orden, deteniéndose donde haya comenzado el barrido.

CAMBIO DE AUDIO

Esta función permite cambiar el sonido de la imagen grande a la imagen pequeña mientras mira televisión y utiliza imagen dentro de imagen (IDI) con una fuente externa de video.

UTILIZACIÓN DEL CAMBIO DE AUDIO

Cuando usted mira la televisión y activa IDI, puede encender otra fuente de video y cambiar el sonido de la imagen grande que viene de la televisión a la imagen pequeña que viene de la otra fuente.

1. Oprima TV en el control remoto para encender el televisor y poner el receptor en el modo de TV.
2. Oprima la tecla de IDI. En la pantalla aparecerá la IDI vacía.
3. Active una fuente de video para la IDI. La imagen de la fuente de video aparecerá en la IDI.
4. Oprima TV.
5. Cambie al canal de TV que desea ver en la pantalla grande.
6. Oprima SWAP AUDIO (cambio de audio) para cambiar el sonido entre la imagen grande y la imagen pequeña.
7. Para cambiar el video entre la imagen grande y la imagen pequeña, use la tecla SWAP PIP (cambio de IDI) en el control remoto.

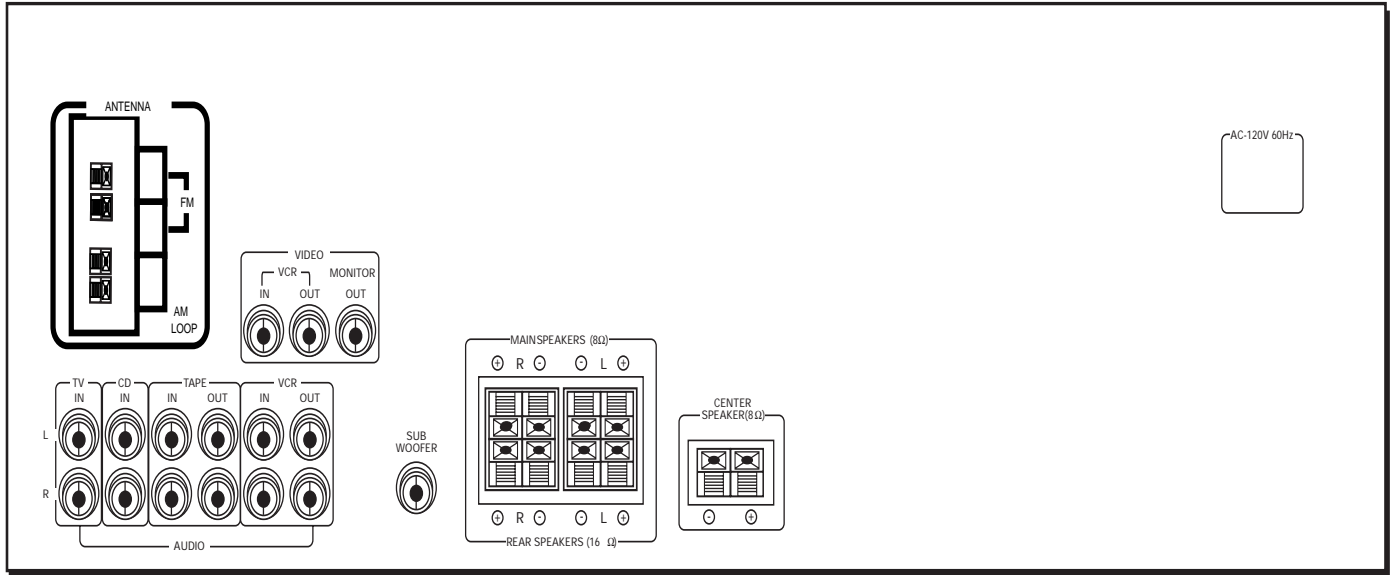
Si cambia la imagen del televisor a IDI y mueve la imagen de la otra fuente de video a la imagen grande, es posible que no pueda hacer el cambio de audio.

PARA CAMBIAR LA FUENTE DE VIDEO Y CAMBIAR DE AUDIO

Si quiere cambiar la fuente de video para la IDI y desea utilizar el cambio de audio:

1. Desactive IDI.
2. Cambie la fuente de video a otro componente de video conectado al receptor.
3. Oprima TV para mirar la televisión.
4. Oprima IDI. La fuente de video aparece en la IDI. El video de la televisión aparece en la imagen grande.
5. Oprima SWAP AUDIO (cambio de audio) para cambiar el audio cada vez que lo desee.

CONEXIÓN DE LOS COMPONENTES AUXILIARES



ANTES DE HACER LA CONEXIÓN...

- Proteja todos los componentes de los picos de corriente.
- Conecte todos los componentes antes de enchufar los cables de alimentación al tomacorriente.
- Siempre apague el receptor y/o los componentes antes de conectar o desconectar cualquier cable.
- Siempre asegúrese de que el color de los conectores coincide con el de los terminales en los que se insertan. Los conectores del cable de conexión y los jacks tienen el siguiente código de colores:

Terminales de los altavoces: rojo para los terminales positivos (+), negro para los negativos (-).

Terminales de audio RCA: rojo para el canal derecho (R), blanco para el canal izquierdo (L), amarillo para el video (V), negro para subgraves (no incluido).

- Algunos aparatos pueden venir con los tomacorrientes de conexión de color rojo y negro, en lugar de rojo y blanco. En ese caso el tomacorriente negro sustituye al tomacorriente blanco.
- Si tiene preguntas sobre las conexiones o los componentes, contáctese con el Departamento de Servicio a la Clientela.

COLOCACIÓN CORRECTA DE LOS CABLES PARA EVITAR UN ZUMBIDO O INTERFERENCIA

- Inserte bien todos los conectores de los cables en los jacks.
- Coloque los cables de audio/video en los costados del panel posterior del receptor en lugar de en la mitad, después de conectar los componentes.
- No enrolle ningún cable de alimentación y en lo posible manténgalos lejos de los cables de audio/video.
- Asegúrese de que todas las antenas y cables están conectadas a tierra como corresponde. Utilice la página que contiene los consejos de seguridad y que viene con su receptor.

PROTECCIÓN CONTRA EL SOBRECALENTAMIENTO

- No bloquee los orificios de ventilación de ningún componente. Coloque los componentes de manera tal que el aire pueda circular libremente.
- No apile los componentes.
- Cuando los ponga sobre un mueble, permita que el aire circule adecuadamente.
- Coloque un amplificador cerca del estante superior del mueble, para que el aire caliente que sale del mismo no pase a otros componentes. Si tiene un receptor para satélite, colóquelo en el estante superior.

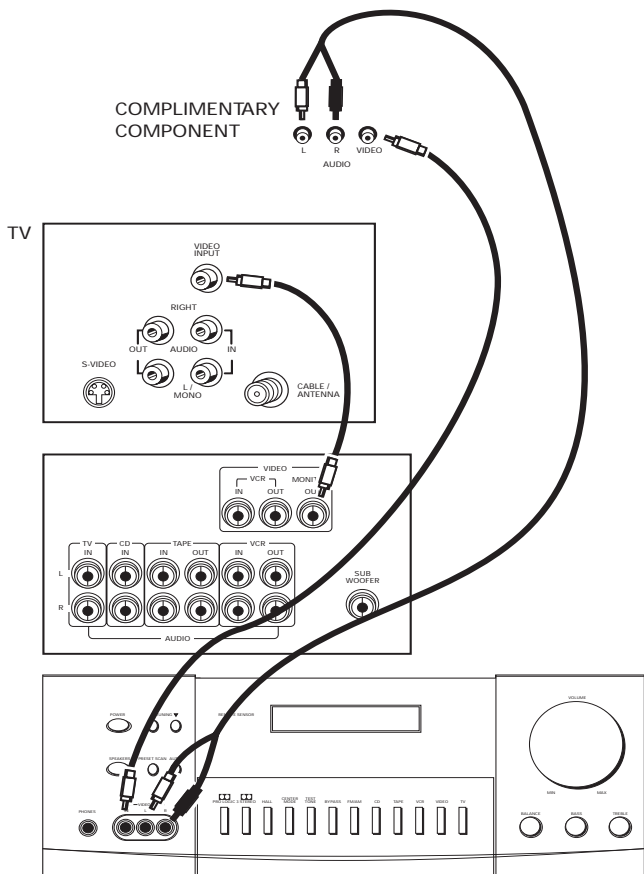
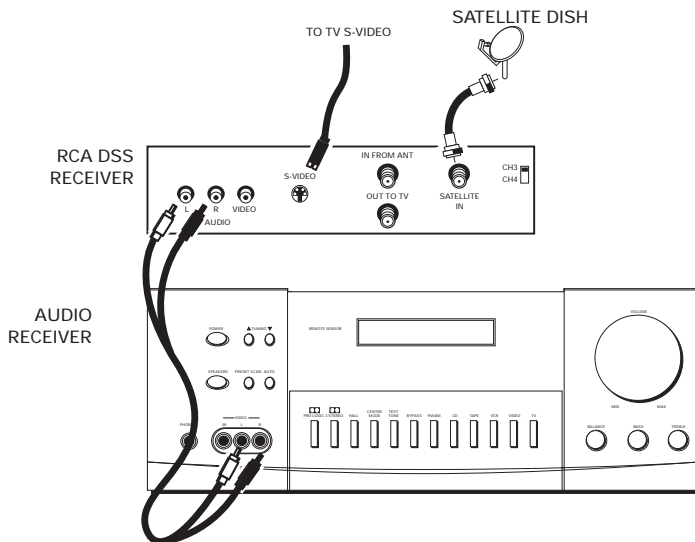
CONEXIÓN DE LOS COMPONENTES AUXILIARES

CONEXIÓN DE UN RECEPTOR PARA SATÉLITE

Con un cable de estéreo de dos colores (rojo/blanco), uno de un solo color (amarillo) para video y dos cables coaxiales, conecte su nuevo receptor de audio a su receptor para satélite, tal como se indica a la derecha.

Para mirar los programas de TV en estéreo, después de la conexión, oprima TV y sintonice el canal deseado. Para mirar los programas en satélite, oprima SAT•CABLE y sintonice el canal deseado.

Observación: no apile los componentes electrónicos ni otros objetos encima del receptor para satélite. Las ranuras superiores del receptor no deben quedar cubiertas para permitir el paso adecuado del aire al aparato. Si se bloquea el aire que va al aparato, se puede afectar el rendimiento o dañar su receptor y otros componentes. Asimismo, no apile el receptor para satélite encima de un "componente caliente", como el amplificador de audio.



CONEXIÓN DE LOS COMPONENTES COMPLEMENTARIOS

En la conexión VIDEO es posible conectar un lector de discos láser, otro VCR o un camcorder/grabadora de video.

Con un cable de estéreo de dos colores (rojo/blanco), dos de un solo color (amarillo) para video, conecte su nuevo receptor de audio al componente complementario, tal como se indica a la derecha.

Para escuchar discos láser o videos, oprima VCR2-LD y luego la tecla de reproducción.

Observación: cuando usa esta conexión para un segundo VCR, no es posible grabar.

si su camcorder o videocámara no tiene un terminal RCA para audio/video, compre un adaptador en un distribuidor de RCA o en una tienda que venda piezas electrónicas.

si la conexión del video se utiliza cuando está tratando de conectar su VCR o camcorder, conecte el componente a través de otra salida de video disponible.

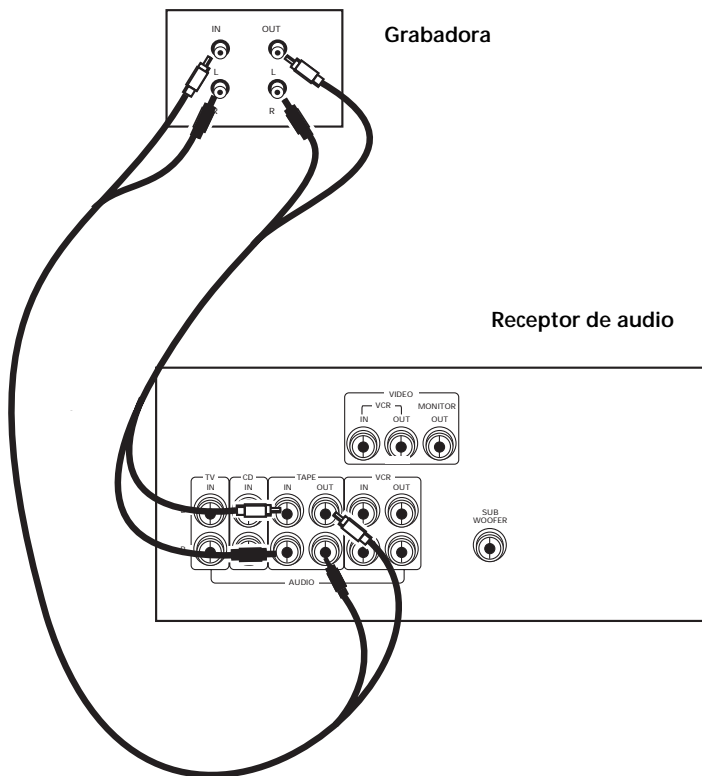
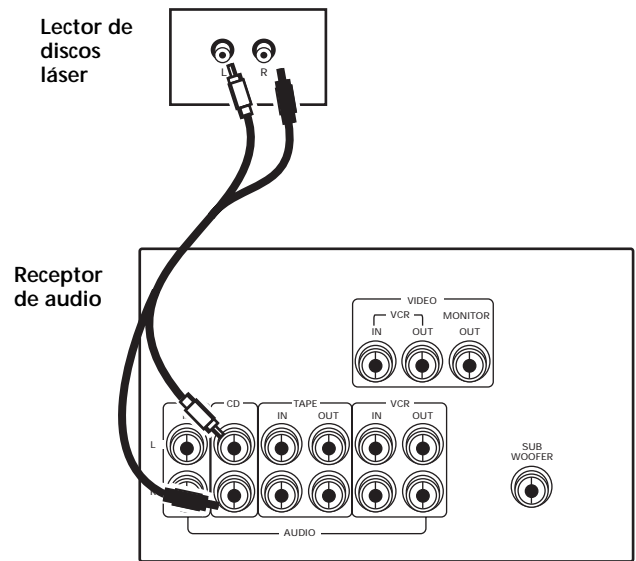
CONEXIÓN DE LOS COMPONENTES AUXILIARES

CONEXIÓN DE UN LECTOR DE DISCOS COMPACTOS

Con un cable de estéreo de dos colores (rojo/blanco) conecte su nuevo receptor de audio al lector de discos láser, tal como se indica a la derecha.

Para escuchar un DC, oprima CD, ponga el receptor en el modo CD y luego oprima la tecla PLAY (reproducción).

Observación: la conexión AUDIO SOURCE (fuente de audio) puede utilizarse como entrada para cualquier señal de audio en estéreo.



CONEXIÓN DE UNA GRABADORA

Con un cable de estéreo de dos colores (rojo/blanco), conecte su nuevo receptor de audio a una grabadora, como se indica a la izquierda.

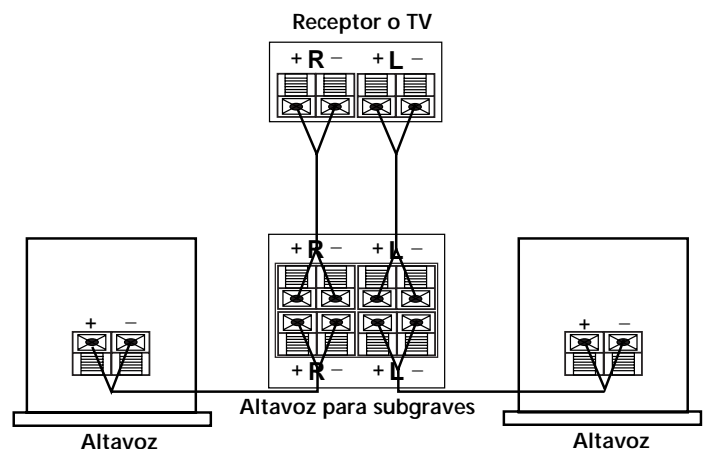
Para escuchar una cinta, oprima TAPE (cinta) y luego oprima la tecla PLAY (reproducción). Para grabar una cinta, encienda la fuente de audio que desea grabar y luego oprima RECORD (grabar) en la grabadora.

CONEXIÓN DE UN ALTAVOZ PARA SUBGRAVES PASIVO

Si decidiera usar un altavoz para subgraves pasivo, esta conexión es ligeramente diferente de la conexión de alimentación.

Si es necesario, saque el aislante de vinilo de las puntas del cable de los altavoces y retuerza el cable.

Mantenga oprimida la lengüeta del terminal del altavoz, en la parte posterior. Inserte la punta desnuda del cable. Asegúrese de conectar el (+) al (+) y el (-) al (-). Suelte la lengüeta y tire suavemente el cable para asegurarse de que está sujeto.



CONEXIÓN DE LOS COMPONENTES AUXILIARES

ULTIMA CONEXIÓN

Si decidiera utilizar su nuevo receptor al máximo haciendo funcionar todos los componentes de audio, necesitará comprar conectores adicionales. El número y la clase dependerá de las circunstancias personales. Consulte la hoja sobre accesorios que viene con este aparato.

A continuación se da una descripción completa de todos los jacks que se encuentran en la parte posterior del receptor y la manera de utilizarlos para que brinden el máximo placer. Al conectar los cables de audio y video, recuerde

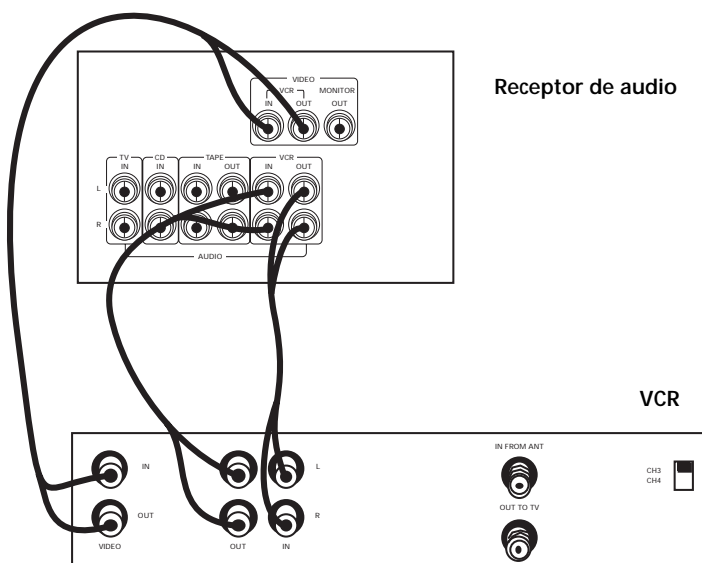
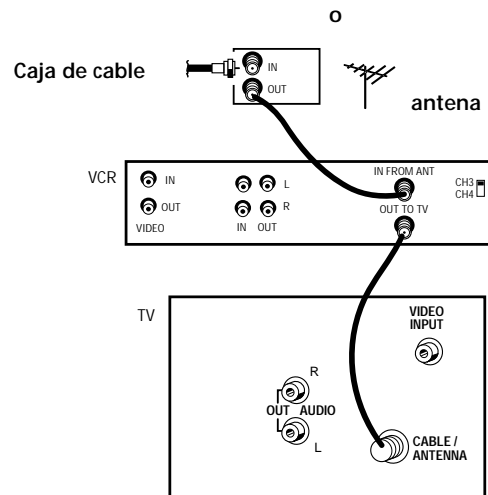
que, además de tener un color para que la conexión se haga con precisión, el jack RIGHT siempre se conecta al jack RIGHT, el LEFT al LEFT, pero los jacks IN se conectan a los OUT y, a su vez, los OUT a los IN.

Observación: Note que los jacks tienen nombres y lugares generalizados. Su TV/VCR/caja de cable/receptor de satélite/etc. pueden tener una configuración y nombres diferentes a los de los jacks. Los diagramas inferiores indican las formas más simples.

PRIMER PASO: CONEXIÓN DEL RECEPTOR DE CABLE/SATÉLITE

Conecte el jack OUT a su caja de receptor de satélite/cable al jack IN FROM ANTENNA (entrada de antena), en la parte posterior de su VCR.

Luego conecte el jack OUT TO TV (salida al TV), en la parte posterior de su VCR al jack CABLE/ANTENNA (cable/antena), en la parte posterior de su televisor.



SEGUNDO PASO: CONEXIÓN DEL VCR AL RECEPTOR

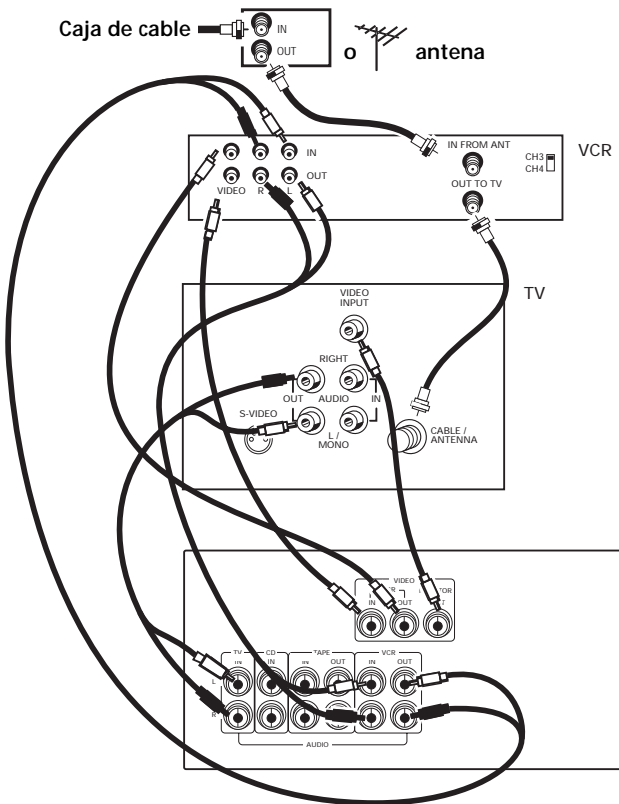
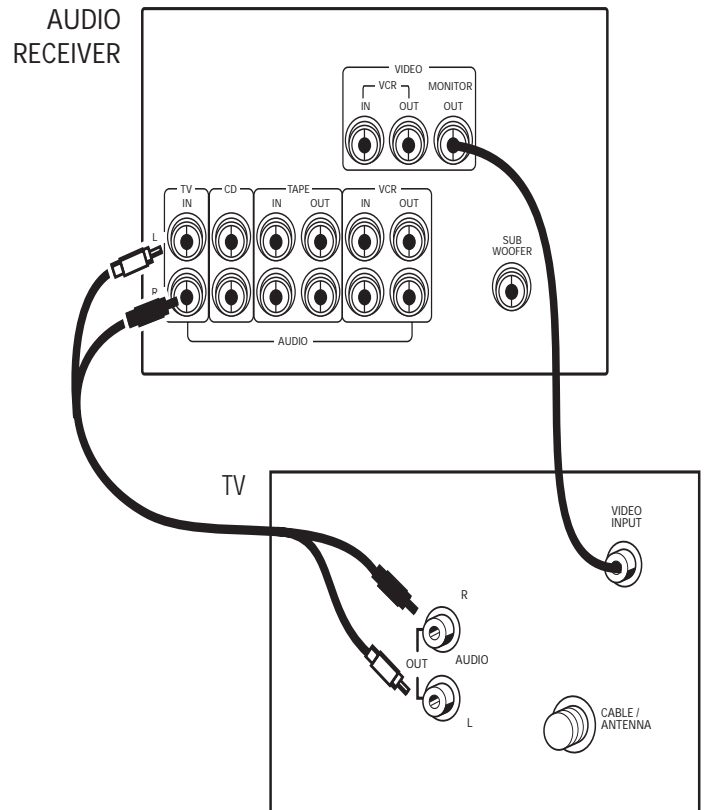
Con los cables de video, conecte los jacks de video IN y OUT del VCR en la parte posterior del receptor a los jacks de video OUT e IN de la parte posterior del VCR.

Con los cables de video, conecte los jacks de audio derecho e izquierdo IN y OUT del VCR en la parte posterior del receptor a los jacks derecho e izquierdo IN y OUT de la parte posterior del VCR.

CONEXIÓN DE LOS COMPONENTES AUXILIARES

TERCER PASO: CONEXIÓN DEL RECEPTOR AL TELEVISOR

Con los cables de audio, conecte los jacks de audio derecho e izquierdo OUT e IN de la parte posterior del TV a los jacks de audio TV de la parte posterior del receptor.



FIN DE LAS CONEXIONES

Cuando haya terminado de conectar los componentes básicos, habrá una confusión de cables en la parte posterior de los aparatos.

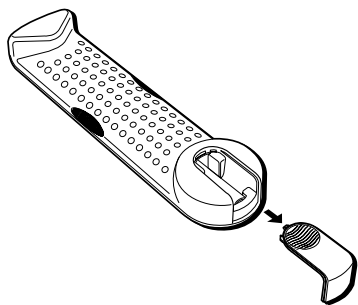
Si se suman la grabadora, el lector de discos y un segundo VCR, la confusión será aún mayor. Tenga paciencia y siga las instrucciones de cada uno de los componentes. Como resultado obtendrá una calidad de sonido excelente y muchas horas de entretenimiento de calidad superior.

CONTROL REMOTO UNIVERSAL

INSTALACIÓN DE LAS PILAS

El control remoto funciona con cuatro pilas, que vienen con el aparato. Instálelas antes de usar el aparato.

1. Deslice la tapa del compartimiento de las pilas del dorso del control remoto.
2. Coloque las 4 pilas AAA, de manera que los símbolos + y - de cada pila coincidan con los del compartimiento.
3. Vuelva a colocar la tapa.



CONTROLES BÁSICOS

Con este control remoto puede hacer funcionar la mayoría de los aparatos de audio y video RCA. Para lograr que sea eficaz, siempre apunte con el control remoto directamente al receptor.

POWER (encendido/apagado): apaga el receptor de AM/FM con sólo oprimir dos vez. Si tiene varios componentes encendidos y no el receptor de AM/FM, oprima una vez **POWER** para apagar el último componente encendido. Oprima nuevamente **POWER** para apagar todos los otros componentes.

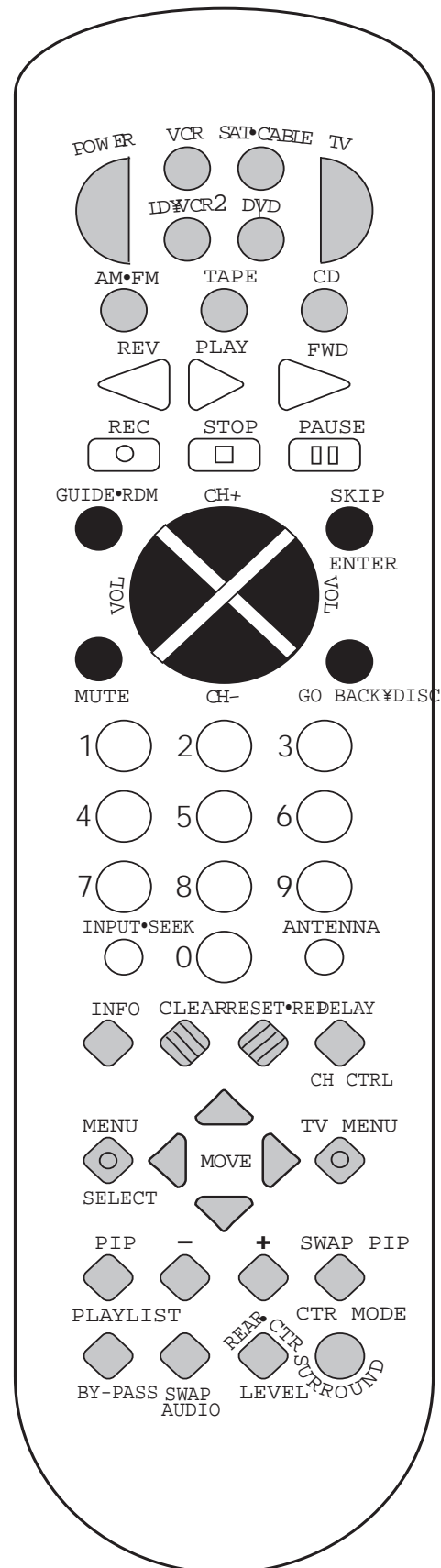
VOL UP y DOWN (subir y bajar el volumen): aumenta o disminuye el volumen.

MUTE (silenciador): apaga el sonido del receptor. Oprima nuevamente para restablecer el sonido.

CONTROLES DEL RECEPTOR

AM—FM: activa el sintonizador y cambia de la banda AM a la FM.

CTR MODE (modo central): cambia el modo central al usar la sonorización periférica Dolby Pro Logic o Dolby 3 Stereo. Oprima una vez y aparecerá el modo actual. Oprima nuevamente para cambiar el modo.



CONTROL REMOTO UNIVERSAL

DELAY/CH CTRL (retardo/control de canales): selecciona la duración del retardo en sonorización periférica entre los altavoces principales y posteriores. Escoja entre 15, 20 ó 30 milisegundos. Oprima una vez y aparecerá el retardo en curso. Oprima nuevamente para cambiar.

SURROUND (sonorización periférica): le permite seleccionar un modo de sonorización periférica: Dolby Pro Logic, Dolby 3 Stereo, Hall (salón). Oprima una vez y aparecerá el modo en curso. Oprima nuevamente para cambiar el modo.

SWAP AUDIO (cambio de audio): cambia el audio únicamente de la imagen grande a la imagen pequeña, cuando usted mira la televisión y usa la imagen dentro de la imagen (IDI).

CONTROLES DE LOS NIVELES DE SONORIZACIÓN PERIFÉRICA

+: aumenta el volumen en los altavoces posterior y central.

-: disminuye el volumen de los altavoces central y posterior.

BY PASS (eliminación): activa y desactiva el modo de eliminación, que anula todos los modos de sonorización periférica. El sonido se genera sin efectos.

REAR—CTR LEVEL (nivel posterior*central): ajusta el nivel de equilibrio acústico de los altavoces posterior y central. Oprima una vez para el altavoz central. Oprima nuevamente para el posterior.

CONTROLES DEL RECEPTOR/ SINTONIZADOR

CH+ (canal, arriba) y CH- (abajo): sintoniza el receptor en la emisora programada siguiente o previa que esté guardada en la memoria del receptor.

FWD (avance): permite ascender manualmente en la banda AM/FM.

INPUT—SEEK (búsqueda): busca y se detiene en emisoras AM/FM con señales suficientemente fuertes.

MENU SELECT (menú/selección): guarda la emisora seleccionada en la memoria del receptor.

Teclas numéricas: permite teclear los números que necesite.

REV (retroceso): permite descender manualmente en la banda AM/FM.

CONTROLES DEL TELEVISOR

+: en algunos modelos de televisores RCA, usados para ajustar controles de menú.

-: en algunos modelos de televisores RCA, usados para ajustar controles de menú.

ANTENNA: cambia la entrada de la antena.

CH+ y CH-: sintoniza los canales superiores e inferiores del televisor

CLEAR (borrado): borra un menú de la pantalla.

DELAY/CH CTRL (retardo/control de canales) en algunos modelos de televisor de RCA, le permite controlar el canal que aparece en la ventana IDI o el canal de la pantalla grande cuando está en el modo IDI.

GO BACK—DISK (volver—disco): vuelve al canal previo.

GUIDE—RDM (guía—RDM): en algunos modelos produce 12 imágenes pequeñas de los próximos 12 canales en la lista de canales. Oprima nuevamente para apagar la guía de canales.

INFO (información): muestra la información sobre el canal.

INPUT—SEEK (entradas—búsqueda): selecciona el modo sintonización manual o automático.

MENU/SELECT (menú/selección): en algunos modelos, guarda los canales en la memoria del televisor.

MOVE (flechas de movimiento): en algunos modelos, cuando se usa IDI mueve la imagen pequeña a otro rincón de la pantalla. También se usa para navegar por los menús.

Teclas numéricas: permite teclear los números de los canales y los horarios, cuando es necesario.

PIP (imagen dentro de la imagen): hace aparecer y desaparecer la imagen dentro de la imagen en la mayoría de los modelos de TV de RCA que tienen esta función.

POWER (encendido/apagado): apaga/enciende el televisor.

RESET—REP (ajustes originales): recoloca los controles de la calidad de la imagen en sus ajustes originales.

SKIP (saltar): para cambiar los canales, oprima una vez. El televisor esperará 30 segundos antes de volver al canal original. Oprima repetidamente para aumentar el tiempo.

SWAP PIP (cambiar IDI): cambia la imagen principal en la ventana IDI.

CONTROL REMOTO UNIVERSAL

TV: enciende el televisor y pone el control remoto en el modo de TV.

TV MENU (menú de TV): muestra los menús en la pantalla del televisor.

CONTROLES DEL VCR

CH+ y CH- : sintoniza el canal siguiente o el previo, cuando se mira la televisión a través del VCR.

CLEAR: reposiciona el contador de cinta y corrige las entradas cuando se programan los menús.

FWD (avance): avanza rápido la cinta. Asimismo, busca hacia adelante mientras se está reproduciendo una cinta.

GO BACK—DISK (volver—disco): vuelve al canal previo.

INFO: muestra en pantalla el número del canal, la hora y la información del contador.

INPUT-SEEK: en algunos modelos de TV, selecciona la entrada de la línea o el sintonizador.

LD—VCR2: en algunos modelos de VCR, si está programado, enciende un segundo VCR y coloca el control remoto en el modo VCR2.

MENU/SELECT (menú/selección): muestra en pantalla los menús de programación.

Teclas numéricas: permite teclear los números, cuando es necesario.

PAUSE (pausa): detiene temporariamente una cinta.

PLAY (reproducción): reproduce una cinta.

POWER: apaga el VCR.

REC (grabación): graba una cinta.

REV (rebobinar): rebobina una cinta. También permite buscar hacia atrás mientras se reproduce una cinta.

SKIP (saltar): para cambiar de canal, oprima una vez. El televisor esperará 30 segundos antes de volver al canal original. Oprima varias veces para aumentar el tiempo.

STOP (parar): detiene una cinta.

VCR: enciende el VCR y pone el control remoto en el modo de VCR.

CONTROLES DEL LECTOR DE DISCOS DIGITALES DE VIDEO (DVD)

CH+ y CH- : cambia a la pista superior o inferior del disco láser.

DVD : enciende el lector de discos digitales de video y pone el control remoto en el modo DVD.

FWD : barre las pistas hacia adelante.

Teclas numéricas : le permite cambiar a una pista específica.

PAUSE : detiene temporariamente el DVD.

PLAY : reproduce el DVD.

PLAY LIST (orden de programación): para algunos modelos DVD, si están programados, el aparato reproducirá las pistas en determinado orden.

POWER : apaga el DVD.

REW : permite barrer hacia atrás en el DVD.

STOP : detiene el DVD.

CONTROLES DEL RECEPTOR DE SATÉLITE

ANTENNA (antena): cambia entre la entrada de la antena y la del receptor de satélite.

CH+ y CH- : sintoniza los canales superiores e inferiores, al mirar la televisión por el receptor de satélite. Pasa por las páginas de la guía, si está en modo de guía.

GUIDE—RDM (guía): muestra la guía en pantalla.

INFO : muestra el registro de encabezamiento del satélite en pantalla. Cuando está en modo de guía, permite seleccionar un programa y una opción en un menú.

MOVE (flechas de movimiento): permite señalar diferentes elementos del menú.

Teclas numéricas: permiten teclear los números de los canales, cuando es necesario.

POWER: apaga/enciende el receptor DSSMR RCA.

CONTROLES DEL LECTOR DE DISCOS COMPACTOS

CD (DC): enciende el lector de discos compactos y pone el control remoto en este modo.

CLEAR : borra una entrada al programar el lector de discos compactos.

FWD : avanza de una pista a la otra de un disco.

GO BACK—DISK : selecciona un disco para la reproducción. Oprima esta tecla y luego el número del disco, utilizando las teclas numéricas.

GUIDE—RDM (guía—aleatoria): activa la función aleatoria, que selecciona y reproduce de esta manera las pistas de uno o de todos los discos compactos.

INFO: en algunos modelos, permite pasar de la información de la pista a la hora.

MENU/SELECT : programa el cambiador de discos compactos para reproducir hasta 32 pistas en cualquier orden que usted escoja.

CONTROL REMOTO UNIVERSAL

Teclas numéricas: sirve para teclear los números, cuando es necesario.

PAUSE : detiene temporariamente el disco compacto.

PLAY (reproducción): reproduce el disco compacto.

RESET—REP (ajustes originales—repetición): repite una pista, un disco o un programa completo. Oprima una vez para repetir la pista que está escuchando, dos veces para escuchar el disco o el programa completo, y tres veces para apagar la función.

REV : retrocede de una pista a la otra de un disco.

TOP : detiene la reproducción del disco.

CONTROLES DE LA GRABADORA

FWD : avance rápido de la cinta.

Teclas numéricas: permite teclear los números, cuando es necesario.

PAUSE : detiene temporariamente la cinta.

PLAY : reproduce la cinta.

POWER : apaga la grabadora.

REV : rebobina la cinta.

TAPE : enciende el TOCacintas y pone el control remoto en el modo de reproducción de cinta.

<heading 3>Controles del lector de discos láser

CH+ y CH- : cambia al capítulo superior o inferior del discos láser.

FWD : barre las pistas hacia adelante.

PROGRAMACIÓN DEL CONTROL REMOTO UNIVERSAL

Es posible programar el control remoto para controlar la mayoría de las marcas de televisores, VCR y cajas de cables controlables a distancia. Si usted tiene un VCR RCA, GE o ProScan, es posible que no necesite programar el control remoto. Las otras marcas deben programarse.

LD—VCR2 : para algunos modelos de discos láser, si están programados, enciende el lector de discos y pone el control remoto en modo de disco láser.

Teclas numéricas: permiten pasar a un capítulo específico.

PAUSE : detiene temporalmente el disco láser.

PLAY : reproduce el disco láser.

PLAY LIST (orden de programación): en algunos modelos, si están programados, el aparato reproducirá los capítulos del disco láser en determinado orden.

POWER : apaga el lector de discos láser.

REV : permite barrer hacia atrás en el disco láser.

STOP : detiene el disco láser.

PROGRAMACIÓN DEL CONTROL REMOTO PARA CONTROLAR UN TELEVISOR

Para determinar si usted necesita programar el control remoto, encienda el televisor, apunte con el control remoto al sensor y oprima TV. Luego, oprima POWER, o CH+ o CH- para ver si el televisor responde a los mandos del control remoto. Si no, será necesario programar el control remoto.

Para programar su control remoto de manera que controle su TV, haga lo siguiente:

1. Encienda el televisor.

2. Busque la marca de su TV y el código numérico en la lista de códigos en la página siguiente o en la hoja de códigos que viene con su control remoto.
3. Mantenga oprimida la tecla TV del control remoto.
4. Introduzca el código de tres dígitos de la lista de códigos.
5. Suelte la tecla TV, luego oprima POWER para ver si el televisor responde a los mandos del control remoto. Si no, oprima TV y luego POWER.
6. Repita los pasos 3 a 5, utilizando el próximo código que aparece en la lista para la marca de su televisor; siga intentando con los diferentes códigos hasta que su televisor responda a los mandos del control remoto.

PROGRAMACIÓN DEL CONTROL REMOTO PARA CONTROLAR UN VCR

Para determinar si necesita programar el control remoto, encienda el VCR, apunte el control remoto al sensor del VCR, y oprima VCR. Luego, oprima POWER o CH+ o CH- para ver si el VCR responde a los mandos del control remoto. Si no, será necesario programar el control remoto.

Para programar su control remoto para controlar su VCR haga lo siguiente:

1. Encienda el VCR.

CONTROL REMOTO UNIVERSAL

2. Busque la marca de su VCR y el código numérico en la lista de códigos en la siguiente página o en la hoja de códigos que viene con su control remoto.
3. Mantenga oprimida la tecla VCR del control remoto.
4. Teclee los tres dígitos del código que aparece en la lista de códigos.
5. Suelte la tecla VCR, luego oprima POWER para ver si el VCR responde a los mandos del control remoto. Si no, oprima VCR y luego POWER.
6. Repita los pasos 3 a 5, usando el código siguiente de la lista para su marca de VCR hasta que el VCR responda a los mandos del control remoto.

PROGRAMACIÓN DEL CONTROL REMOTO PARA CONTROLAR UN COMPONENTE DE AUDIO

Para programar el control remoto para un componente de audio controlable a distancia, apunte el control remoto hacia el componente y oprima la tecla correspondiente al componente: CD (DC) para el lector de discos compactos, TAPE para la grabadora, etc. Luego, oprima POWER o CH+ o CH-. Si el componente no responde, será necesario programar el control remoto. Use los códigos de la lista de códigos que aparece en la página siguiente o en la hoja que viene con su control remoto.

Para programar su control remoto de manera que controle su componente de audio, haga lo siguiente:

1. Encienda el componente que debe programar.
2. Busque la marca y el número del código correspondiente en la lista de la página siguiente o en la hoja de códigos que viene con su control remoto.
3. Mantenga oprimida la tecla del componente en el control remoto.
4. Teclee los tres dígitos del código de la lista de códigos.
5. Suelte la tecla del componente, luego oprima POWER para ver si el componente responde a los mandos del control remoto. Si no, oprima la tecla del componente y luego POWER nuevamente.
6. Repita los pasos 3 a 5, usando el siguiente código correspondiente a la marca de su componente hasta que el componente responda a los mandos del control remoto.

El control remoto funciona con cuatro pilas, incluidas con su sistema. Instálelas antes de usar el aparato y haciendo que los signos + y - correspondan al diagrama que aparece en el compartimiento.

PROGRAMACIÓN DEL CONTROL REMOTO PARA CONTROLAR LA CAJA DE CABLE

Consulte la página de conexión de la caja de cable o llame a su compañía de cable para que le conecten su caja de cable. Es posible que pueda programar el control remoto para usar con una caja que sea controlable a distancia. Utilice los códigos de la lista que aparece en la página 28 o de la hoja que viene con su control remoto.

1. Encienda la caja de cable.
2. Busque la marca de la caja de cable y su código numérico en la lista de la próxima página o en la hoja de códigos que viene con el control remoto.
3. Mantenga oprimida SAT—CABLE en el control remoto.
4. Teclee los tres dígitos del código de la lista de códigos.
5. Suelte la tecla SAT—CABLE, luego oprima POWER o CH+ o CH- para ver si la caja de cable responde a los mandos del control remoto. Si no, oprima SAT—CABLE, luego POWER nuevamente, para ver si la caja de cable responde.
6. Repita los pasos 3 a 5, usando el próximo código numérico correspondiente a la marca de su caja de cable hasta que la caja de cable responda a los mandos del control remoto.

PROGRAMACIÓN DEL CONTROL REMOTO PARA CONTROLAR UN LECTOR DE DISCOS LÁSER

Es posible que usted pueda programar su control remoto para controlar un lector de discos láser. Utilice los códigos que aparecen a la derecha o en la hoja que viene con su control remoto.

Para programar su lector de discos láser, haga lo siguiente:

1. Encienda el lector de discos láser.
2. Busque la marca del lector y su código numérico en la lista de códigos.
3. Mantenga oprimida la tecla LD*VCR2 en el control remoto.
4. Teclee los tres dígitos del código de la lista de códigos.

El control remoto funciona con cuatro pilas, incluidas con su sistema. Instálelas antes de usar el aparato y asegúrese de que los signos + y - correspondan al diagrama que aparece en el compartimiento.

CONTROL REMOTO UNIVERSAL

CÓDIGO EL LECTOR DE DISCOS LÁSER

Pioneer	033, 037
ProScan	033, 037
RCA	033, 037

PROGRAMACIÓN DEL CONTROL REMOTO PARA CONTROLAR UN LECTOR DE DISCOS DIGITALES DE VIDEO

El control remoto está programado para controlar un lector de discos digitales de video RCA. A continuación se muestran algunas teclas del control remoto que se utilizan con un lector de este tipo. Usted puede experimentar con otras teclas del control remoto, para ver si funcionan.

El control remoto del receptor funciona como el control remoto del lector de discos láser

<u>Remoto del receptor</u>	<u>DVD Remoto</u>
INFO	INFO
GO BACK	GO BACK
CLEAR	CLEAR
MENU SELECT	MENU SELECT
MOVE Arrows	ARROWS
PLAYLIST	PLAYLIST
ENTER	ENTER

PROGRAMACIÓN DEL CONTROL REMOTO PARA CONTROLAR UN RECEPTOR DE SATÉLITE DSS® DE MARCA RCA.

El control remoto está programado para controlar un receptor de satélite DSS® marca RCA. A continuación se dan unas pocas teclas del control remoto que se utilizan con un receptor de este tipo. Usted puede experimentar con otras teclas en el control remoto, para ver si funcionan.

<u>Remoto del receptor</u>	<u>RCA brand DSS® Remoto</u>
INFO	SELECT/DISPLAY
GO BACK	PREV CH
ANTENNA	TV/SAT
CLEAR	CLEAR
MENU/SELECT	MENU
MOVE ARROWS	ARROWS

PROGRAMACIÓN DEL CONTROL REMOTO PARA CONTROLAR UN RECEPTOR DE SATÉLITE

1. Encienda el receptor de satélite.
2. Busque la marca del receptor de satélite y el código numérico correspondiente en la lista de códigos de la derecha.
3. Mantenga oprimida la tecla SAT—CABLE del control remoto.
4. Teclee los tres dígitos del código de la lista de códigos.
5. Suelte la tecla SAT—CABLE, luego oprima POWER o CH+ o CH- para ver si el receptor responde a los mandos del control remoto. Si no, pruebe oprimiendo SAT—CABLE, luego POWER nuevamente.
6. Repita los pasos 3 a 5 usando el próximo código numérico correspondiente a la marca de su receptor hasta que el receptor responda a los mandos del control remoto.

- Si tiene preguntas sobre el uso de las teclas del control remoto con otro componente, sírvase consultar la guía del usuario de ese componente en particular.

- Es posible que las teclas del control remoto no funcionen con otras marcas. Experimente con el control remoto y sus componentes para ver cuáles teclas funcionan.

- Es posible que las teclas del control remoto no funcionen con todos los modelos de las marcas indicadas.

Para programar la tecla LD—VCR2 para controlar un segundo VCR, siga estos pasos, pero utilice la tecla LD—VCR2 en lugar de la tecla VCR.

- Es posible que este control no funcione con todos los modelos de las marcas que aparecen.

Si se saca una pila del compartimiento del control remoto, todas las funciones de las teclas de control volverán al modo original.

DSS® es una marca de comercio registrada de DIRECTV, INC, una división de GM Hughes Electronics.

CODIGOS PARA EL CONTROL REMOTO DE TV

Admiral	005	JC Penney.....	000, 008, 011, 019, 027, 040, 068, 077, 086, 088	Radio Shack	000, 021, 025, 036, 037, 059, 064, 078
Amtron.....	064	Jensen	011, 027	RCA	000, 006, 011, 019, 027, 034, 038, 044, 046, 088, 100, 101, 109
Akai	002, 103	JVC	012, 024, 036, 037, 040, 048, 051, 074	Realistic	021
A-Mark	102	Kawasho	002, 011, 027	Sampo	011, 027
Anam	104, 105	Kenwood	006, 011, 014, 027	Samsung.....	006, 011, 014, 015, 019, 027, 036, 037, 077, 110
Anam National.....	038, 106	Kloss Novabeam	035, 043	Sanyo	017, 021, 039, 056, 057, 058
AOC	011, 019, 027, 088, 107	KTV	078	Scott	028, 037, 064
Bell & Howell	005	Loewe	013	Sears	000, 006, 011, 014, 017, 018, 021, 023, 027, 039, 040, 041, 051, 071, 083, 095
Candle	011, 027, 033	Luxman	011, 027	Sharp	011, 020, 025, 027, 037, 052, 053, 059, 060, 108
Citizen	011, 027, 033, 064	LXI.....	000, 013, 018, 021, 023, 054	Signature	005, 094
Colortyme	011, 027, 084	Magnavox.....	006, 007, 010, 011, 013, 016, 027, 033, 035, 043, 049, 066, 087, 089	Sony	002
Concerto	011, 027	Marants.....	013	Soundesign	011, 027, 033
Contec/Cony	036, 037, 040, 042, 064	Marantz	011, 013, 027, 069	Sylvania	006, 007, 010, 011, 013, 016, 027, 033, 035, 043, 049, 066, 087, 089
Craig	064	Memorex.....	005	Symphonic	064, 076
Curtis Mathes	000, 011, 015, 027, 037	MGA	006, 011, 014, 019, 022, 027, 041, 056, 061, 068	Tatung	038
CXC	064	Mitsubishi	006, 011, 014, 019, 022, 027, 041, 055, 056, 061, 068	Technics.....	012
Daewoo.....	011, 019, 027, 112	MTC	011, 019, 027	Techwood	011, 027
Daytron	011, 027	Multivision.....	081	Teknika.....	011, 019, 027, 033, 036, 037, 040, 066
Dimensia	000	NAD	018, 023	Telecaption	090
Electrohome	006, 011, 014, 027, 038, 061, 068	NEC	011, 014, 019, 027, 038, 084	TMK	011, 027
Emerson	011, 026, 027, 028, 029, 030, 031, 032, 037, 042, 053, 064, 065, 067, 075, 076, 078, 079, 094, 095, 096	Panasonic... ..	012, 013, 038, 086, 111	Toshiba	018, 021, 023, 040, 071, 077, 085, 090
Envision	011, 027	Philco.....	006, 007, 010, 011, 013, 016, 019, 027, 033, 035, 037, 038, 043, 087, 089	Universal	008, 009
Fisher	017, 021, 039, 041	Philips.....	002, 006, 007, 010, 011, 013, 016, 033, 035, 037, 038, 043, 066, 073	Victor	051
Funai.....	064	Pioneer	011, 027, 045, 062, 093	Vidtech	019, 027
GE	000, 008, 009, 011, 012, 027, 038, 068, 086, 089, 091	Portland	011, 019, 027, 037	Wards	000, 005, 006, 007, 008, 009, 010, 011, 013, 019, 025, 027, 028, 035, 043, 059, 066, 076, 082, 089
Goldstar	003, 004, 006, 011, 019, 027, 037, 050	ProScan	000	Yamaha	006, 014, 019, 027
Hallmark	011, 027	Proton	011, 027, 037, 072	Zenith	001, 099
Hitachi	009, 011, 027, 036, 037, 040, 047, 048, 063, 080, 094, 097, 098	Quasar	012, 038, 092		
Infinity	013				
JBL.....	013				

CODIGOS PARA EL CONTROL REMOTO DEL VCR

Admiral	006	JVC	002, 014, 016, 030, 046, 074	Samsung	007, 013, 022, 032, 042
Aiwa	015	Kenwood	002, 014, 016, 030, 044, 046	Sansui	016, 071
Akai	003, 017, 022, 023, 063, 066	KLH	073	Sanyo	002, 012
Audio Dynamics	014, 016	Lloyd's	015	Scott	004, 013, 041, 049, 068
Bell & Howell	002	Logik	031	Sears	002, 005, 009, 012, 018, 019, 035, 043, 048
Broksonic	010	Magnavox	008, 029, 053, 056	Sharp	006, 024, 027, 039, 045
Candle	007, 009, 013, 044, 045, 046, 052	Marantz	002, 008, 014, 016, 029, 030, 044, 046, 061	Shintom	017, 026, 031, 055
Canon	008, 053	Marta	009	Signature	015
Capehart	001	MEI	008	Sony	017, 026, 038
Citizen	007, 009, 013, 044, 045, 046, 052	Memorex	008, 009, 012, 015	Sylvania	008, 015, 029, 053, 056
Colortyme	014	MGA	004, 027	Symphonic	015
Craig	007, 012	Midland	032	Tandy	002, 015
Curtis Mathes ..	000, 007, 008, 014, 015, 044, 046, 053, 064, 067	Minolta	005, 035	Tashiko	009
Daewoo	013, 045, 052, 076	Mitsubishi	004, 005, 027, 035, 040	Tatung	030
dbx	014, 016	Montgomery Ward	006	Teac	015, 030, 069
Dimensia	000	MTC	007, 015	Technics	008
Dynatech	015	Multitech	007, 015, 031, 032	Teknika	008, 009, 015, 021
Electrohome	027	NEC	002, 014, 016, 030, 044, 046, 059, 061, 064	TMK	067
Emerson	008, 009, 010, 013, 015, 020, 023, 027, 034, 041, 042, 047, 049, 057, 062, 065, 067, 068, 070	Panasonic	008, 053, 075, 077	Toshiba	005, 013, 019, 048, 049
Fisher	002, 012, 018, 019, 043, 048, 058	Pentax	005, 035, 044	Totevision	007, 009
Funai	015	Pentex Research +	046	Unitech	007
GE	000, 007, 008, 032, 037, 053	Philco	008, 029, 053, 056	Vector Research	014, 016, 044
Goldstar	009, 014, 046, 060	Philips	008, 029	Victor	016
Harman Kardon	014	Pioneer	005, 016, 050	Video Concepts	014, 016, 044
Hitachi	005, 015, 035, 036	Portland	044, 045, 052	Videosonic	007
Instant Replay	008	ProScan	000	Wards	005, 006, 007, 008, 009, 012, 013, 015, 025, 027, 031, 035
JCL	008	Quartz	002	Yamaha	002, 014, 016, 030, 046
JC Penney	002, 005, 007, 008, 014, 016, 030, 035, 051, 053	Quasar	008, 053	Zenith	011, 017, 026, 072
		RCA	000, 005, 007, 008, 028, 035, 037, 054, 069		
		Radio Shack/Realistic	002, 006, 008, 009, 012, 015, 019, 027, 043, 053		

CODIGOS PARA AUDIO Y CAJAS DE CABLE

CÓDIGOS DE AUDIO

ads:	AMP	001
Aiwa:	CD	060
Akai:	AMP	002, 008
Denon:	CD	057
Dynamic Bass:	AM/FM	029
	CD	025
	TAPE	026, 027
	PHONO	028
Emerson:	CD	066
Fisher:	AMP	023
	CD	067
Hitachi:	CD	063
JVC:	AMP	016, 058
	AM/FM	030, 035
	CD	032
	TAPE	033, 034
	AUX	031
Kenwood:	AMP	017, 074
	AM/FM	074
	CD	067, 070, 077
	TAPE	071, 072
	PHONO	073
Kyocera:	AMP	009
Lotte (NEC):	AMP	075
Magnavox:	AMP	065
	AM/FM	065
	CD	061
Marantz:	AMP	022, 076
	AM/FM	076
	CD	068
Mitsubishi:	AMP	015, 059
	AM/FM	059
Nakamichi:	AMP	020
Onkyo:	AM/FM	082
	CD	078
	TAPE	080, 081
	PHONO	079
Panasonic:	AMP	012
	AM/FM	038
	CD	036, 083
	TAPE	037
Philips:	AMP	062
	AM/FM	062
	CD	061
Pioneer:	AMP	014
	AM/FM	042
	CD	039
	TAPE	040, 041
RCA:	AMP	024
	AM/FM	003
	CD	007, 043, 044
	TAPE	006
	PHONO	005
	AUX	004, 054
Realistic:	CD	063, 066
Sansui:	CD	045
Scott:	CD	066
	TAPE	055, 056
Sherwood:	AMP	011, 013
Sony:	AMP	021
	AM/FM	049
	CD	046
	TAPE	048, 053
	PHONO	047
Teac:	AMP	010
	CD	069
Technics:	AM/FM	052
	CD	050
	TAPE	051
Yamaha:	AMP	018, 019

CÓDIGOS DE CAJAS DE CABLE CONTROLABLES A DISTANCIA

ABC	022, 046, 053, 054
Anvision	007, 008
Cablestar	007, 008
Diamond	056
Eagle	007, 008
Eastern International	002
General Instrument	046
GI 400	004, 005, 015, 023, 024, 025, 030, 036
Hamlin	003, 012, 013, 034, 048
Hitachi	037, 043, 046
Jerrold	004, 005, 015, 023, 024, 025, 030, 036, 045, 046, 047, 062, 065
Macom	037, 043
Magnavox	007, 008, 019, 021, 026, 028, 029, 032, 033, 040, 041
NSC	009
Oak	001, 016, 038
Oak Sigma	016
Panasonic	003, 027, 039, 061
Philips	007, 008, 019, 021, 026, 028, 029, 032, 033, 040, 041
Pioneer	018, 020, 044
Randtek	007, 008
RCA	000, 027
Regal	003, 012, 013
Regency	002, 033
Samsung	044
Scientific Atlanta	003, 022, 035, 063, 064
Signature	046
Sprucer	027
Starcom	046
Stargate 2000	058
Sylvania	011, 059
Teknika	006
Texscan	010, 011, 059
Tocom	017, 021, 049, 050, 055
Unika	031, 032, 041
Universal	051, 052, 060
Viewstar	007, 008, 019, 021, 026, 028, 029, 032, 033, 040, 041
Warner Amex	044
Zenith	014, 042, 057, 061

CUIDADO

CONSEJOS PARA LA DETECCIÓN DE FALLAS

FUNCIONAMIENTO DEL RECEPTOR/SINTONIZADOR

El indicador de estéreo está apagado.

- Ajuste la antena.
- La señal es demasiado débil. Conecte una antena externa.
- La señal es monoaural.
Ruido o zumbido notables.
- La señal es demasiado débil. Conecte una antena externa.
- Ajuste la antena.

FUNCIONAMIENTO DEL CONTROL REMOTO

El control remoto no hace funcionar el aparato.

- Se seleccionó otra función en el control remoto.
Oprima la tecla de función correcta.
- No se instalaron las pilas (incluidas con el sistema).
Antes de tratar de hacer funcionar el control remoto, instale las pilas, asegurándose de que los extremos + y - de cada pila coincidan con los símbolos indicados en el compartimiento de pilas del control remoto.
- Las pilas están descargadas. Cambie todas las pilas.
- El control remoto no apunta al sensor de control remoto del aparato principal o hay un obstáculo entre el control remoto y el aparato principal.
- El control remoto está demasiado lejos del aparato principal.
- Acérquese más.

GENERALIDADES

No hay sonido.

- Verifique si el indicador MUTE (silenciador) del panel delantero está desactivado.
- Verifique si los altavoces están encendidos.
- Verifique las conexiones.
- Verifique la conexión del cable de alimentación.
No hay sonido en un canal.
- Ajuste el control de equilibrio acústico.
- Verifique la conexión del alambre del altavoz o el cable de conexión.

Ruido cuando se enciende el televisor.

- El televisor está demasiado cerca del sistema audio.
Instrumentos específicos suenan desplazados.
- Verifique la conexión entre el receptor y los altavoces.
Desfase entre sonido e imagen.

- Oprima la tecla de función correspondiente a la fuente de video.

COMO LIMPIAR LA PARTE EXTERNA DEL SISTEMA ESTEREO

- Desconecta el sistema de su fuente de alimentación eléctrica de corriente alterna antes de proceder a limpiar la unidad con la finalidad de prevenir riesgos de incendio o descargas eléctricas.

ESPECIFICACIONES TÉCNICAS

Sección del amplificador

Izquierdo/Centro/derecho (a 8 Ω):

RV-9968 20 vatios/20 vatios/20 vatios

RV-9978 50 vatios/50 vatios/50 vatios

Total de distorsión armónica, 0.9 % @ 1 KHz

Sonorización periférica posterior (a 16 Ω):

RV-9968 10 vatios/10 vatios

RV 9978 25 vatios/25 vatios

Total de distorsión armónica, 1% @ 1 KHz

Atenuación silenciadora: 50 dB

Respuesta de frecuencia: 40-20 kHz +/- 3 dB

Sección de video

Entrada (Sensitividad/impedancia): 1Vp-p/75Ω

Salida (Nivel/impedancia): 1Vp-p/75Ω

Respuesta de frecuencia: 10Hz a 6 MHz a +/-3 dB

Relación entre señal y ruido: 40 dB

Diafotía @ 3,58 MHz: 40 dB

Sección del sintonizador de AM

Respuesta de frecuencia: 80 Hz -2 kHz +/- 6 dB

Sensibilidad utilizable: 800 uV/m @ 20 dB

Relación entre señal y ruido: 38 dB

Relación de imagen: 27 dB @ 1000 kHz

Supresión de Fi: 35 dB

Sección del sintonizador FM

Respuesta de frecuencia: 40 Hz-15 kHz +/-3 dB

Método de 50 dB de silenciamiento: 24 dBu

Relación entre señal y ruido: 60 dB (estéreo)/65dB(mono)

Relación de imagen: 40 dB @ 1000 kHz

Supresión de Fi: 50 dB

Las especificaciones se basan en medidas nominales.

INDICE TEMÁTICO

A

Agudos 8
Altavoces 8
Altavoces centrales 5
Altavoces de sonorización periférica 5
Altavoces principales 5
Altavoz para sonidos subgraves 6
Antes de hacer la conexión... 11
Audífonos 9

B

Barrido preseleccionado 8
Barrido programado 10
BYPASS 9

C

Cambio de audio 10
Codigos para el control remoto de tv 22
Codigos para el control remoto del VCR 23
Codigos para los componentes de audio 24
Colocación correcta de los cables para evitar un z 11
Conexión a la fuente de alimentación 7
Conexión de las antenas 7
Conexión de los cables 5
Conexión de los componentes auxiliares 11
Conexión de los componentes complementarios 12
Conexión de un altavoz para subgraves pasivo 13
Conexión de un lector de discos compactos 13
Conexión de un receptor para satélite 12
Conexión de una grabadora 13
conexión del receptor al televisor 15
Conexiones básicas 4
Consejos para la detección de fallas 25
Control remoto universal 16
Controles básicos 16
Controles de la grabadora 19
Controles de los niveles de sonorización periféric 17

Controles del lector de discos compactos 18
Controles del lector de discos digitales de video 18
Controles del receptor 16
Controles del receptor de satélite 18
Controles del receptor/sintonizador 17
Controles del VCR 18
Controles generales 8
Controles y funcionamiento del receptor 8
Cuidado y limpieza 25

D

Desembale del receptor 4
DOLBY 3 STEREO 9
DOLBY PRO LOGIC 9

E

Ejemplo de instalación para la mejor sonorización 7
Encendido/disponible 8
Equilibrio acústico 8
Equilibrio acústico del sistema de altavoces 6
Especificaciones técnicas 25

F

Fin de las conexiones 15

G

Garantía limitada 27
Graves 8

H

HALL 9
headphones
connecting 21
using without the main speakers 21

I

Instala-ción para sonorización periférica 5
Instalación de las pilas 16
Introducción 4

M

MENSAJES 9
Modo central 8
Modo de sonorización periférica 9

N

Normal 8

P

Para cambiar la fuente de video y cambiar de audio 10
Para escuchar una emisora programada 10
Para programar una emisora 10
Phantom (sin altavoz central) 8
Programación de emisoras en la memoria 10
Programación del control remoto para controlar la 20
Programación del control remoto para controlar un 19, 20, 21
Programación del control remoto universal 19
Protección contra el sobrecalentamiento 11

S

Sintonización 9
Sintonización automática 9
Sintonización automática/manual 8
Sintonización del receptor 9
Sintonización, retroceso/avance 8

T

Teclas de funciones 8
Tono de prueba 8

U

Ultima conexión 14
Utilización de los audífonos 7
Utilización del cambio de audio 10

V

Volumen principal 9

W

Wide (completo) 9

GARANTÍA LIMITADA

Su garantía cubre:

- Todo defecto de materiales o mano de obra

Vigencia de la garantía:

- Un año a partir de la fecha de compra
(El período de la garantía para los aparatos de alquiler comienza el primer día de alquiler o 45 días a partir de la fecha de envío a la empresa de alquiler, cualquiera sea la fecha que cae primero.)

Responsabilidad de la compañía:

- Brindarle un aparato nuevo o, si lo consideramos necesario, un aparato reacondicionado.
- El aparato que se entrega en este caso estará cubierto hasta que termine la garantía del aparato original.

Reclamo por garantía:

- Embalar el aparato como corresponde, incluyendo los cables y otros accesorios que se suministraron con el producto. Recomendamos utilizar la caja y el material de embalaje que vinieron de fábrica.
- Colocar en el paquete una prueba de compra que contenga la fecha, como la factura. Además, escribir en letra de imprenta el nombre y la dirección del remitente y la descripción de la falla. Enviar el paquete por un servicio de mensajería corriente, como UPS u otro similar a la dirección siguiente:

Thomson Consumer Electronics, Inc.
Product Exchange Center
32B Spur Drive
El Paso, Texas 79906

- Pagar todos los cargos que le cobre el Centro de Canjes por los servicios no cubiertos por la garantía.
- Asegure su envío contra pérdidas o daños, ya que en esos casos Thomson no acepta ninguna responsabilidad.
- Se le enviará un aparato nuevo o reacondicionado con porte pagado.

Aspectos no cubiertos por la garantía:

- Instrucción a los clientes. (Su Manual de Instrucciones le brinda información sobre el funcionamiento del aparato y de los controles. Para más detalles, póngase en contacto con su representante).
- Instalación y ajustes de configuración
- Pilas
- Daños debidos al abuso o descuido.
- Productos que han sido modificados o incorporados en otros productos.
- Productos adquiridos o reparados fuera de los EE.UU.
- Casos fortuitos, como daños por descargas eléctricas, etc.

Registro del producto:

- Sírvase completar y enviar la tarjeta de registro del producto, que viene con su aparato. El registro facilitará el contacto, si fuera necesario. El retorno de la tarjeta no se requiere para la aplicación de la garantía.

Leyes estatales que se aplican a la garantía:

- Esta garantía cubre sus derechos legales específicos, pero es posible que usted tenga otros derechos si cambia de estado.

En caso de comprar el producto fuera de los Estados Unidos:

- Esta garantía no se aplica. Solicite a su distribuidor información sobre la garantía.

 **THOMSON CONSUMER ELECTRONICS**

©1998 Thomson Consumer Electronics, Inc.

Trademark(s)® Registered

Marca(s) Registrada(s)

Marque(s) ® déposée(s)

10330 North Meridian Street

Indianapolis, IN 46290-1024

Model Number RV-9968/RV-9978

15333040 (E/S/F Rev. 1)

98-17

Printed in Hong Kong

Free Manuals Download Website

<http://myh66.com>

<http://usermanuals.us>

<http://www.somanuals.com>

<http://www.4manuals.cc>

<http://www.manual-lib.com>

<http://www.404manual.com>

<http://www.luxmanual.com>

<http://aubethermostatmanual.com>

Golf course search by state

<http://golfingnear.com>

Email search by domain

<http://emailbydomain.com>

Auto manuals search

<http://auto.somanuals.com>

TV manuals search

<http://tv.somanuals.com>