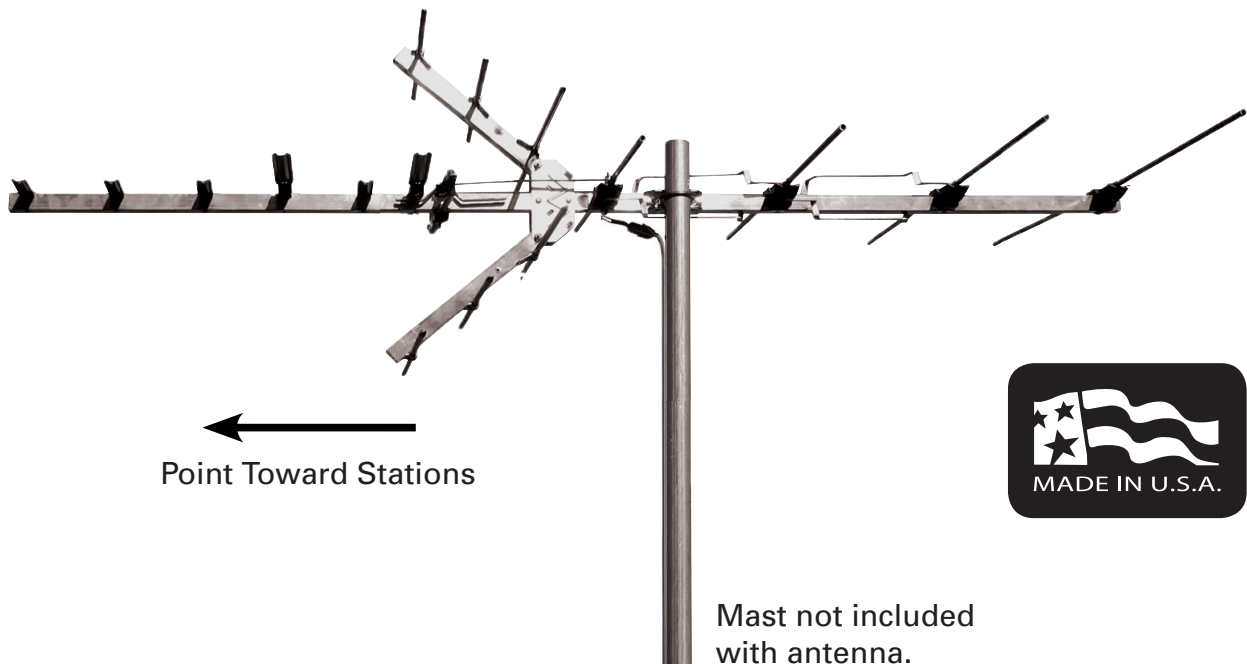




# ANT3037X Outdoor Antenna Installation Manual

---

ENGLISH



## BEFORE YOU START!!!

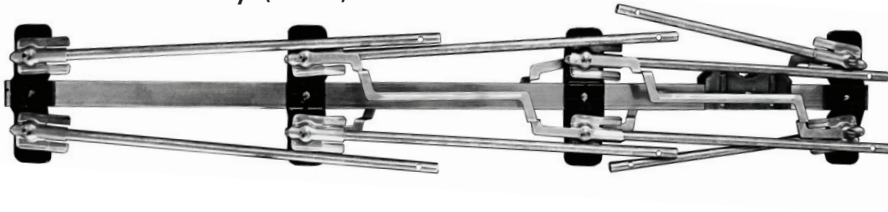
Please read the IMPORTANT SAFETY INFORMATION sheet included in this package.

## WARNING

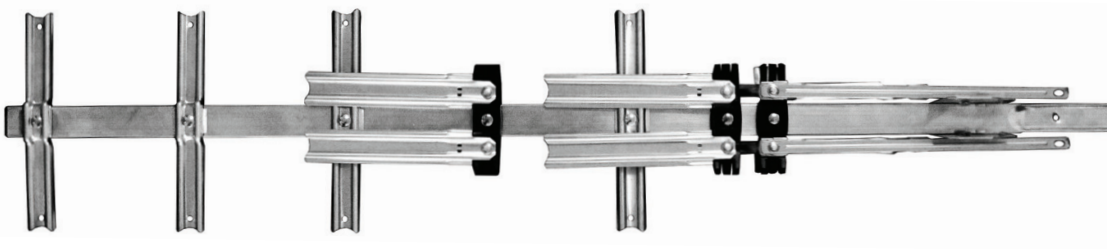
Installation of this antenna near power lines is dangerous. For your safety, follow the installation instructions.

# Parts List

Back Assembly (VHF)



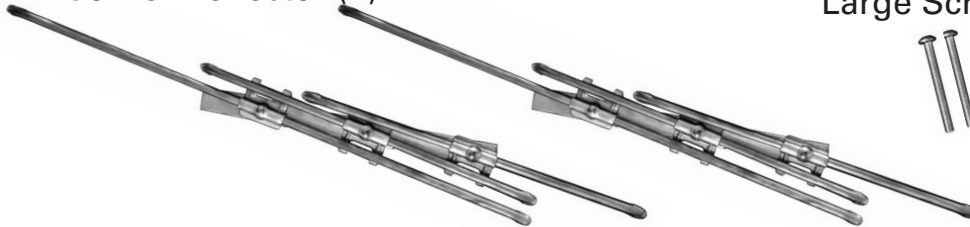
Front Assembly (UHF)



Washer (6)  
○○○○○○

Small Flange Nut (6)  
○○○○○○

Corner Reflector (2)



Large Screw (2)



Mast Clamp Insert



U-Bolt



Large Flange Nut for U-Bolt (2)



Matching Transformer



## Low Band VHF Add-On Kit For RF Channels 2-6 and/or FM (Not Needed for Most Installations, See Page 3.)

Large Screw



Clip



Element Extension with Both Ends Crimped



Small Flange Nut (17)



Small Screw (16)



Element Sleeves (8)



Element Extensions (8)



# Things to Consider Before Installing the Antenna

## Location Selection

Digital broadcast signals travel via line of sight. That means the fewer objects between your antenna and the broadcast tower, the stronger your signal will be. Installing your antenna in the attic may reduce the signal by as much as 50%, so it is always recommended to install the antenna outdoors for maximum performance.

Before deciding on a location for this antenna, determine which channels you want to receive and where they are coming from. This will help you determine the best location and direction to aim the antenna.

For this information, go online to [www.tvsetfree.com](http://www.tvsetfree.com), [www.antennaweb.org](http://www.antennaweb.org), or [www.tvfool.com](http://www.tvfool.com). Each of these sites has a feature that allows you to enter your address and get a listing of likely channels available in your area, including a map showing each station's tower in relation to your location.

## Do I Need to Install the Low Band VHF Kit?

On [www.antennaweb.org](http://www.antennaweb.org), if you have an RF channel (right column) 2–6, you will need the Low Band VHF Kit. On [www.tvfool.com](http://www.tvfool.com), if you have a real channel 2–6, you will need the Low Band VHF Kit. If you don't have any low band VHF channels in your area but want FM reception, then you need to install the Low Band VHF Kit. Most areas will not need the kit.

For most channels, stations will only come from one or two directions. If the compass headings are similar (less than 30° apart), the antenna can be aimed between the areas and receive signals from each location.

The antenna has a maximum range of up to 65 miles when installed outside and used with a high-quality preamplifier. Any station outside this range is less likely to be picked up by the antenna. This range is reduced by any obstructions (such as trees, buildings, or hills) between the antenna and the broadcast tower and is subject to broadcast strength, frequency, and meteorological factors. Installing without a preamplifier will reduce the antenna's range.

Distance, obstructions and compass heading all play a role in deciding on a location to permanently mount the antenna. For this reason, it may be necessary to try the antenna in several locations while checking the signal on multiple channels. Moving the antenna three feet in one direction is often enough to change the reception. Re-scan your TV or converter box each time you move the antenna.

# Assembling the Antenna

Start by unfolding the VHF elements on the back assembly until the elements are perpendicular to the boom (Figure 1). You should hear the elements click into place.

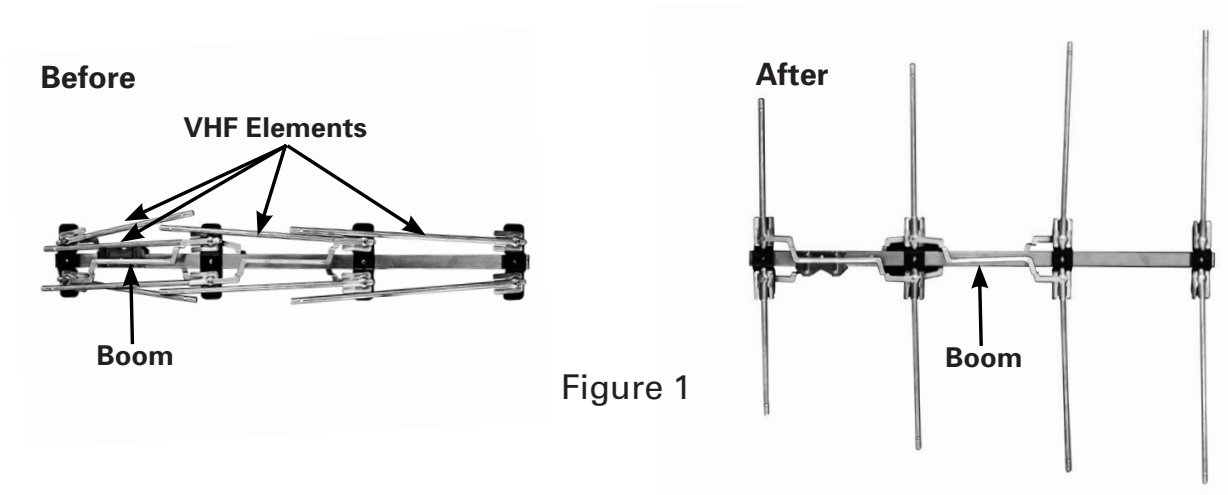


Figure 1

Unfold the six UHF elements on the front assembly until they are perpendicular to the boom. See Figure 2. You should hear the pieces click into place. Pull the two phasing lines away from the boom.

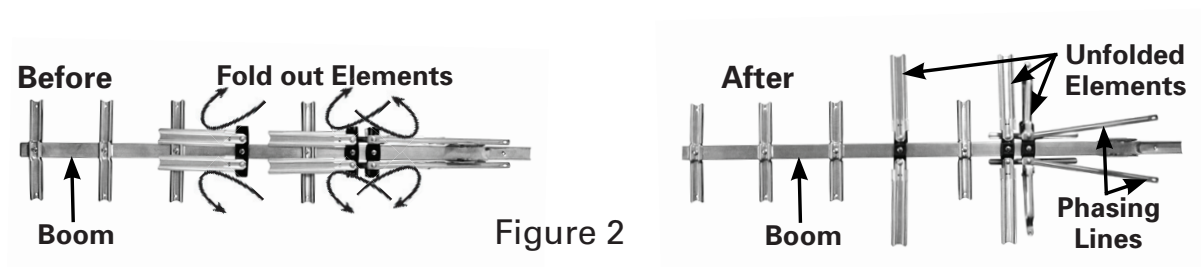


Figure 2

On the back assembly, remove the nut and screw from the plastic block nearest to the open end of the boom and to the mast clamp (Figure 3).

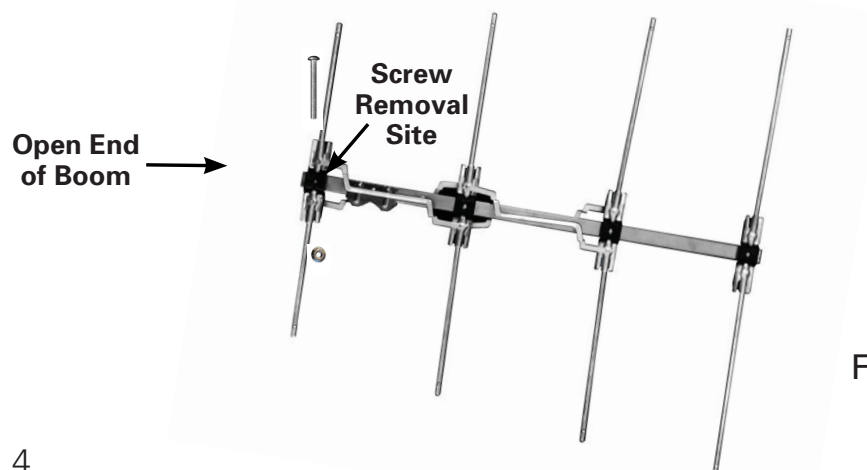
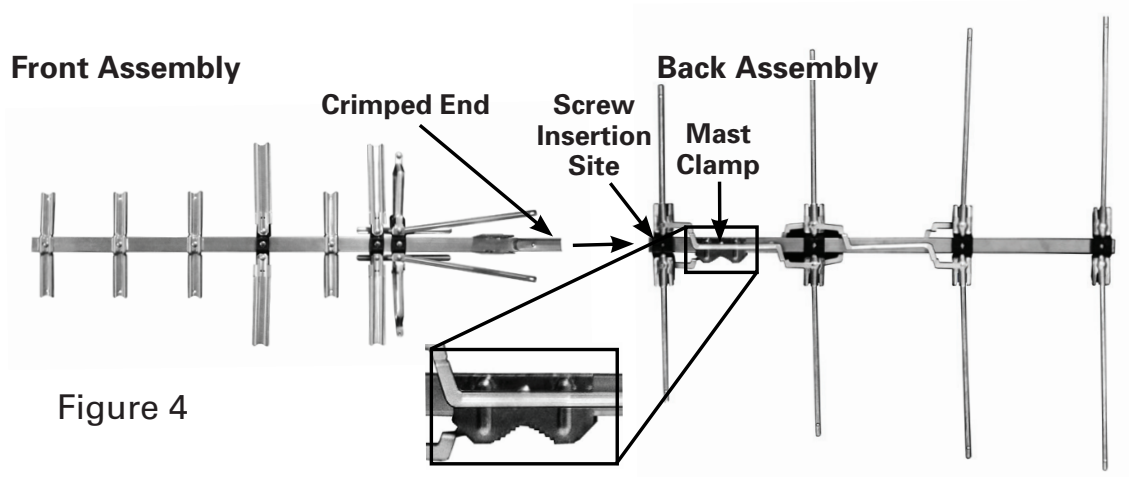
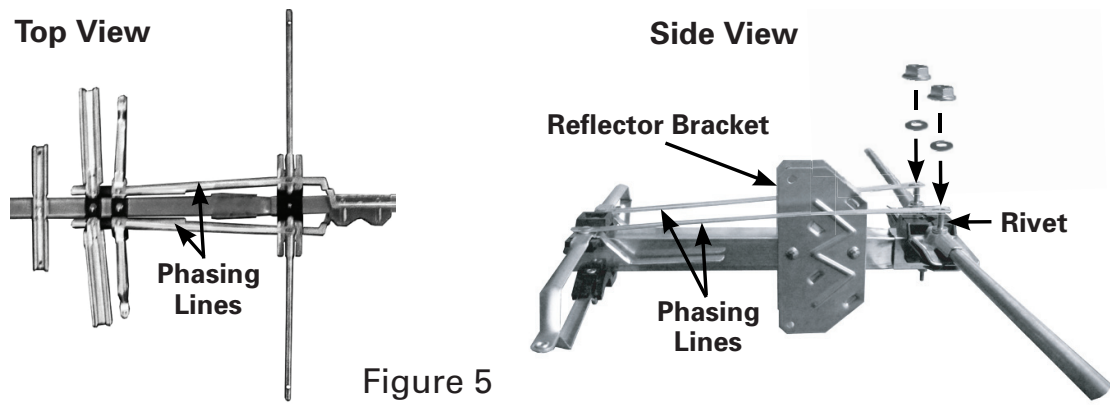


Figure 3

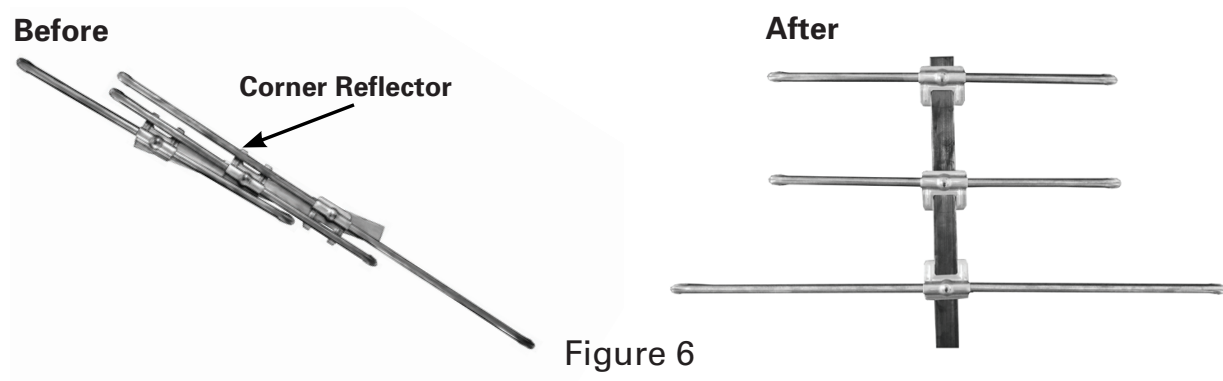
Slide the crimped end of the front assembly boom into the open end of the back assembly boom (Figure 4). Re-insert the screw into the plastic block closest to the mast clamp, and secure with the flange nut.



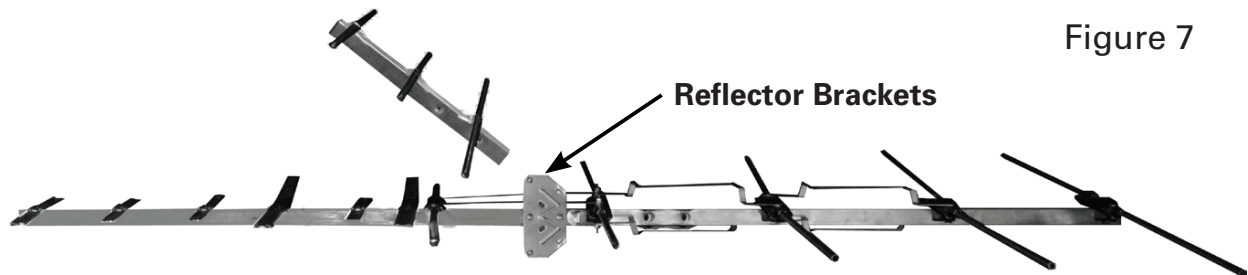
Then, slip the phasing lines onto the threaded rivets near the reflector brackets. Add a washer onto each rivet. Thread a small nut onto each rivet. See Figure 5.



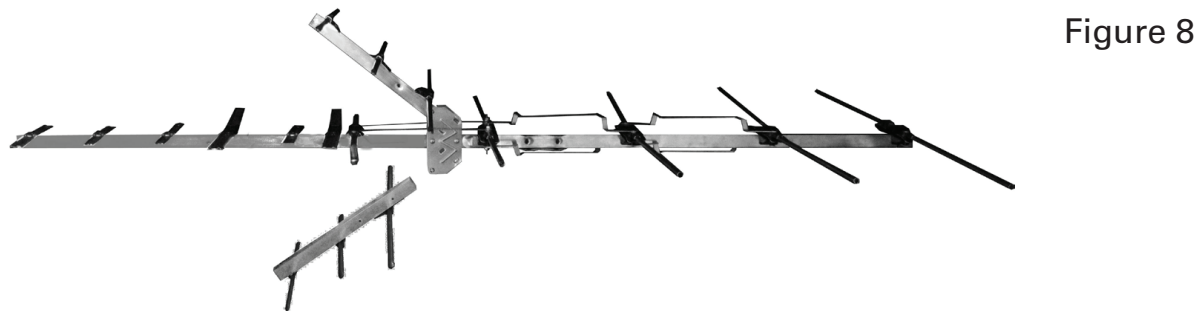
Unfold the elements on the two corner reflectors as in Figure 6. You should hear the pieces click into place.



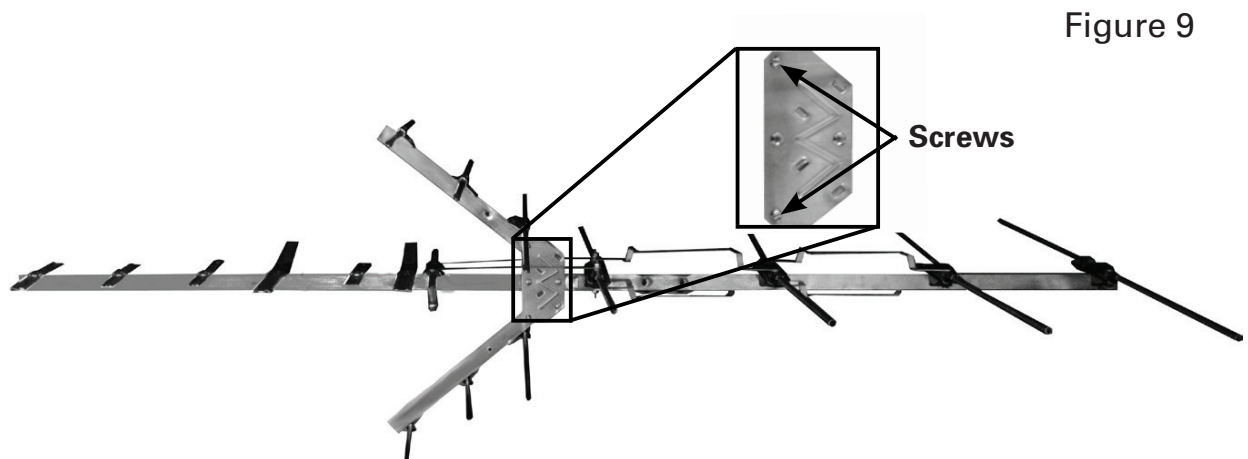
Insert the open end of one corner reflector in-between the top of the reflector brackets (Figure 7). (Elements should be on top.) Align the holes in the brackets with the hole in the corner reflector. Insert a large screw through the holes. Thread a small flange nut on the screw.



Next, insert the open end of the second corner reflector in-between the bottom of the reflector brackets (Figure 8). (Elements should be on bottom.) Align the holes in the brackets with the hole in the corner reflector. Insert a large screw through the holes. Thread a small flange nut on the screw.



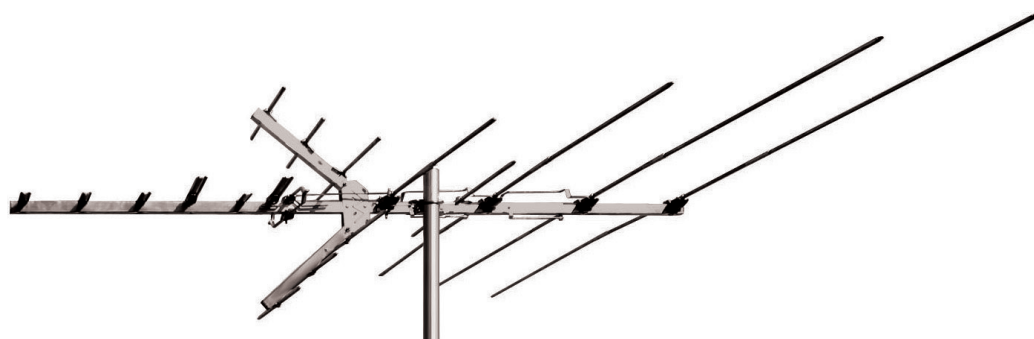
Tighten the two flange nuts. See Figure 9.



If you determined that you need the Low Band VHF Add-On Kit, proceed with the steps on the next page. If you determined that you **do not need** the Low Band VHF Add-On Kit (page 2), continue with attaching the coax cable on page 9.

## Adding the Low Band VHF Add-On Kit For RF Channels 2–6 and/or FM

If unsure whether or not to install the Low Band VHF Add-On Kit, see the section “Do I Need to Install the Low Band VHF Kit?” on page 3.



Locate the hole in the bottom of the boom near the mast clamp.

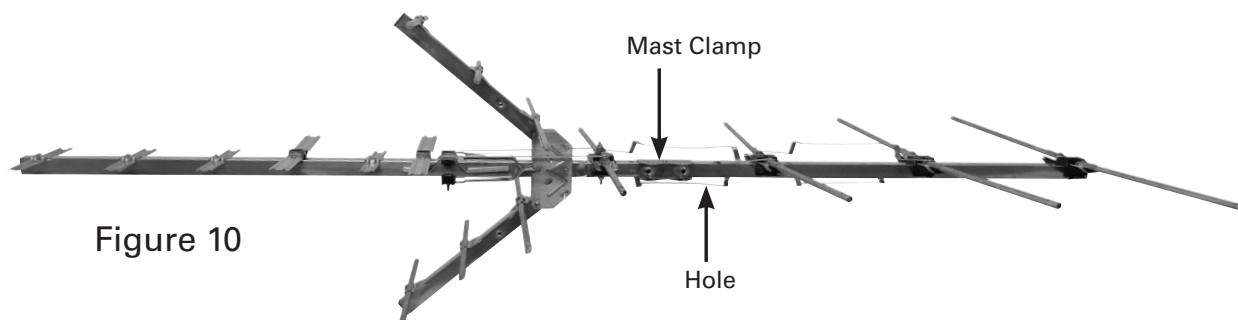
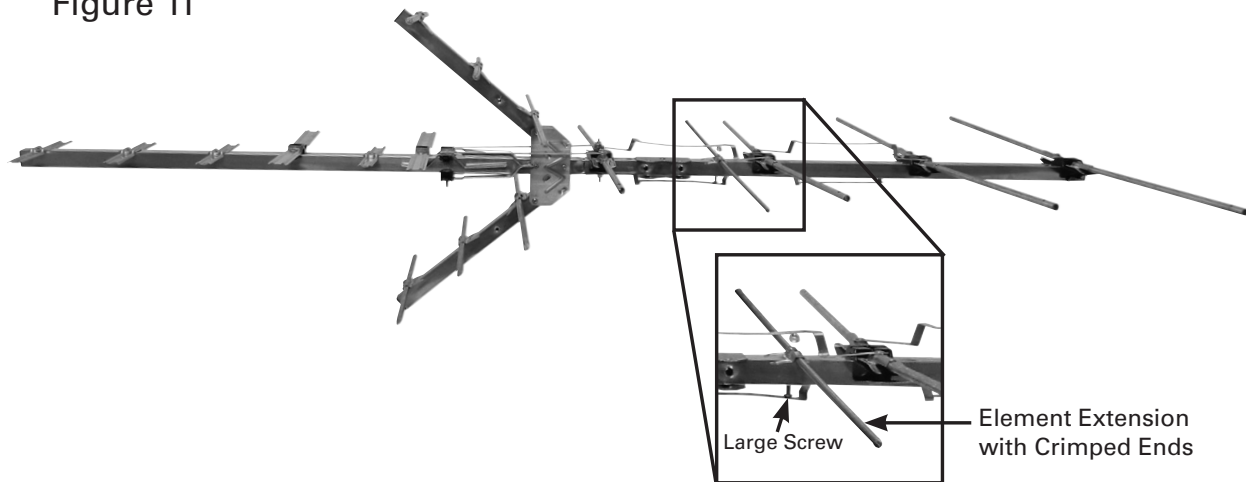


Figure 10



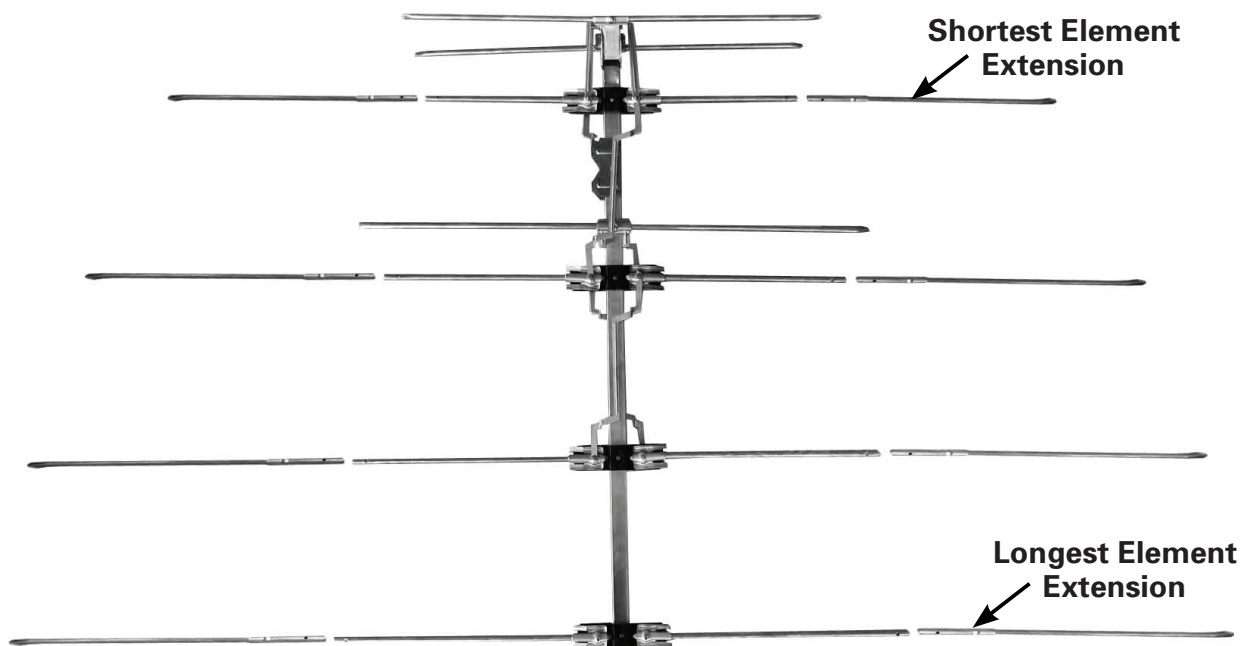
Insert the large screw through the hole in the bottom of the boom (Figure 11). Place the element extension with crimped ends onto the screw. Then, install the clip onto the element extension with crimped ends so that the holes in both parts align. Thread a small flange nut on the screw, and tighten.

Figure 11



Place each element extension beside the element to which it will connect. The shortest element extension will connect to the shortest element on the back assembly, and the longest element extension will connect to the longest element. The element extensions should decrease in length as they near the center of the antenna (Figure 12). One element sleeve will be used to connect each element extension to its corresponding element.

Figure 12





Slide the element sleeve over the element. Align the holes in the element sleeve and element. Then, slide the element extension into the element sleeve. Align the holes in the element sleeve and element extension. Insert a small screw through the top of each hole, and thread a small flange nut onto each screw. Repeat for connecting each element extension to an element. See Figure 13.

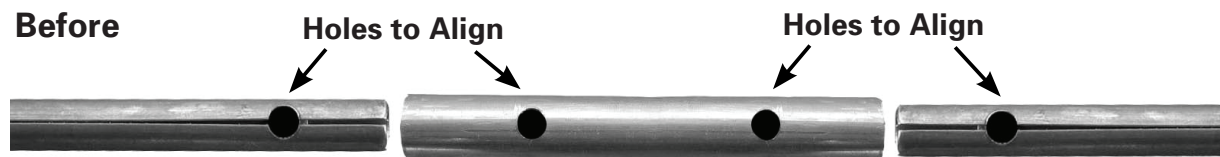
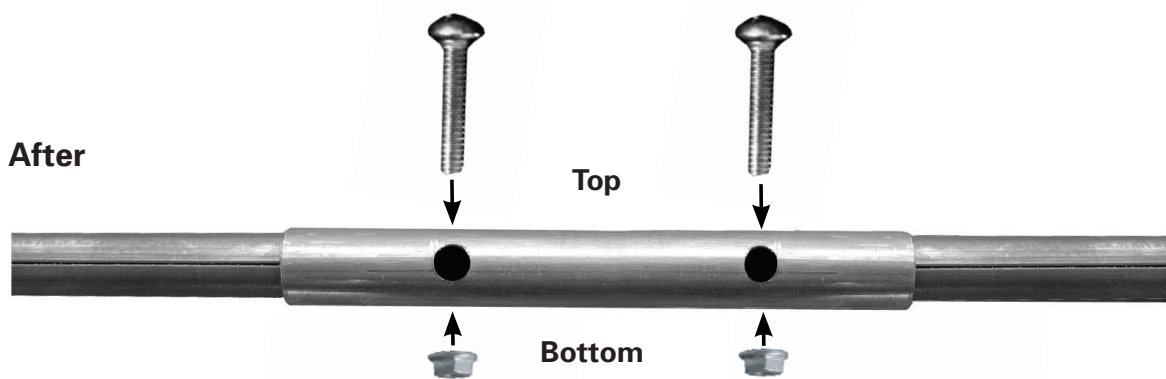


Figure 13



## Attaching a Coax Cable

Locate the two posts on the underside of the front assembly (Figure 14). Place two washers on each post. Loosely thread a small nut onto each post. Slide one fork of the matching transformer between a set of washers. Repeat for the other fork on the other post. Tighten the nuts, making sure that the forks are still connected.

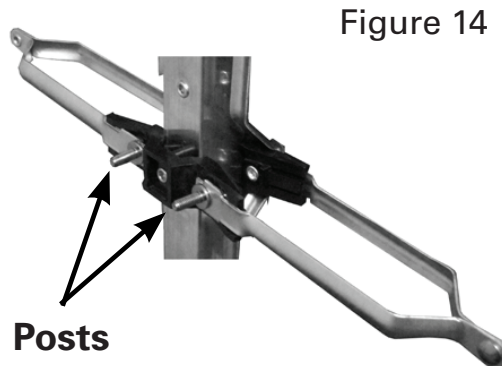


Figure 14

Remove the rubber boot from the matching transformer. Slide the rubber boot over the coax cable and install the connector. If your coax cable has the connector already on it, you will need to cut an X in the boot hole so that the boot will slide over the connector. Attach the coax cable to the matching transformer. Then, connect the rubber boot to the body of the matching transformer, as in Figure 15.

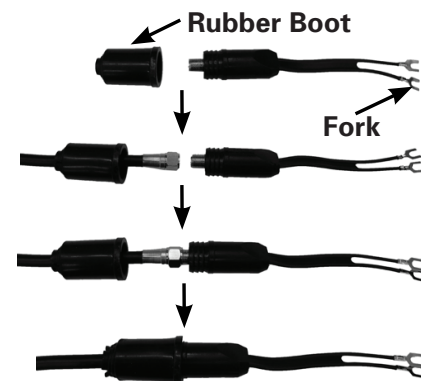


Figure 15

## Mounting the Antenna

Place the mast clamp insert inside the mast clamp so that the flat side of the mast clamp insert presses against the boom. The holes in both parts should align. Insert the ends of the U-bolt through the holes. The mast should be placed in-between the U-bolt and the mast clamp insert. Thread a large nut on each end of the U-bolt. Tighten the nuts until the U-bolt securely holds the mast in place. The U-bolt assembly will handle up to a 2.0" outer diameter mast.

### Helpful Tips

- Be sure the matching transformer is on the bottom of the antenna.
- Point the front of antenna toward stations.
- Tape down lead to mast to prevent wind whipping.

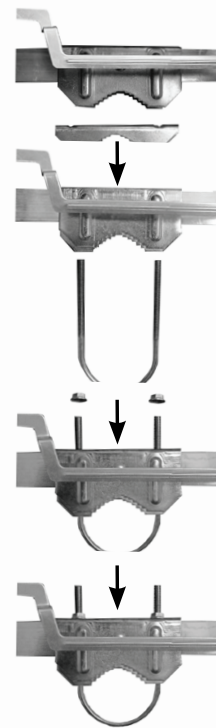
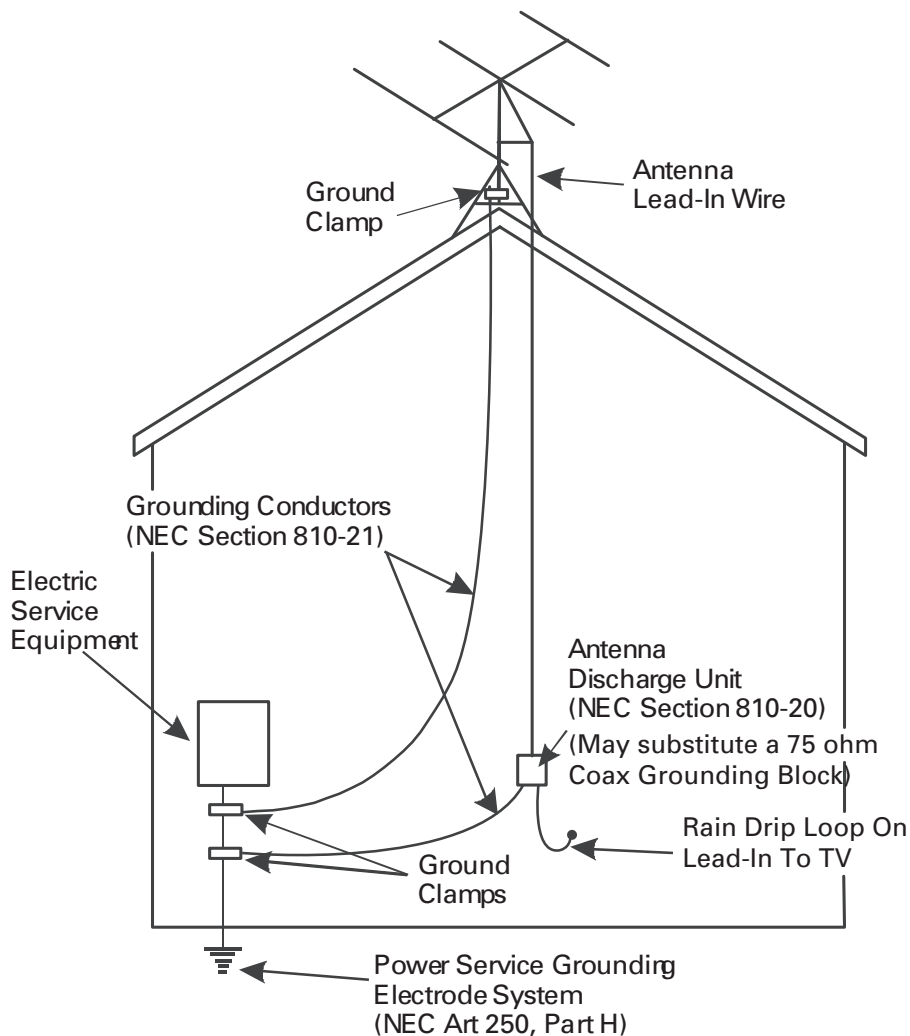


Figure 16

# Providing Lightning Protection for the Antenna

1. Mount lightning arrestor or 75 ohm grounding block as close as possible to where lead-in enters house.
2. Ground wires for both mast and lead-in should be copper or aluminum wire, number 8 or larger.
3. Lead-in wire from antenna to lightning arrestor or 75 ohm grounding block and mast ground wire should be secured to house with stand-off insulators, spaced from four to six feet apart.
4. In the case of a "ground up" antenna installation, it may not be necessary to ground the mast if the mast extends four or more feet into the earth. Consult your TV service man for proper depth in your area.

Example of antenna grounding as per National Electrical Code, ANSI/NFPA 70



NEC - National Electrical Code

# Amplifying the Signal

The signal received at the antenna is all the signal the system will ever have; amplifiers can only prevent losing this signal as it runs to one or more televisions. Therefore, mounting location and direction are very important. An amplifier or pre-amplifier may be required if any of the following applies:

- The cable between the antenna and the television is longer than 50 feet.
- More than one television is connected to the antenna.
- The received signal is not strong enough to ensure consistent performance.

**If you have questions, contact RCA at 1-800-290-6650 or visit [RCAAudioVideo.com](http://RCAAudioVideo.com).**

**Note:** We recommend using this antenna with a high quality preamplifier, such as the RCA TVPRAMP1R, available at many retailers or from [RCAAudioVideo.com](http://RCAAudioVideo.com).

# Troubleshooting

Issue	Possible Cause
There is static or snow in the picture.	Digital television is all or nothing; the picture is crystal clear, or there isn't one. Static means there is interference between the digital tuner and the television screen. If you use a digital converter, one of the connections or the cable between the converter and television may be bad, or the channel is analog. When using a converter box, make sure the TV set and the output channel of the converter box are on the same channel.
I am not getting channels.	Several things can cause this: <ul style="list-style-type: none"><li>• There is a faulty connection between the antenna and the converter box.</li><li>• The matching transformer may have come loose from the antenna.</li></ul> Try running a new channel scan on the TV or converter box. Try the antenna in a new location. Something may be obstructing the signal.
One channel is missing.	Try turning the antenna 10 or 20 degrees in either direction to avoid reflection or for better peak on the signal.
The picture/sound freezes while I am watching TV, or there are boxes in the picture.	This is often caused by a weak or intermittent signal. Try moving the antenna to a better location or aiming it directly at the tower for this channel.

# 12 Month Limited Warranty

VOXX Accessories Corporation (the "Company") warrants to the original retail purchaser of this product that should this product or any part thereof, under normal use and conditions, be proven defective in material or workmanship within 12 months from the date of original purchase, such defect(s) will be repaired or replaced (at the Company's option) without charge for parts and repair labor. To obtain repair or replacement within the terms of this Warranty, the product along with any accessories included in the original packaging is to be delivered with proof of warranty coverage (e.g. dated bill of sale), specification of defect(s), transportation prepaid, to the Company at the address shown below. Do not return this product to the Retailer.

This Warranty is not transferable and does not cover product purchased, serviced or used outside the United States or Canada. The warranty does not extend to the elimination of externally generated static or noise. This Warranty does not apply to costs incurred for installation, removal or reinstallation of the product, or, if in the Company's opinion, the product has been damaged through acts of nature, alteration, improper installation, mishandling, misuse, neglect, or accident. This warranty does not cover damage caused by an AC adapter not provided with the product.

THE EXTENT OF THE COMPANY'S LIABILITY UNDER THIS WARRANTY IS LIMITED TO THE REPAIR OR REPLACEMENT PROVIDED ABOVE AND, IN NO EVENT, SHALL THE COMPANY'S LIABILITY EXCEED THE PURCHASE PRICE PAID BY PURCHASER FOR THE PRODUCT. This Warranty is in lieu of all other express warranties or liabilities. ANY IMPLIED WARRANTIES, INCLUDING ANY IMPLIED WARRANTY OF MERCHANTABILITY OR FITNESS FOR A PARTICULAR PURPOSE, SHALL BE LIMITED TO DURATION OF THIS WARRANTY. ANY ACTION FOR BREACH OF ANY WARRANTY HEREUNDER, INCLUDING ANY IMPLIED WARRANTY, MUST BE BROUGHT WITHIN A PERIOD OF 24 MONTHS FROM THE DATE OF ORIGINAL PURCHASE. IN NO CASE SHALL THE COMPANY BE LIABLE FOR ANY CONSEQUENTIAL OR INCIDENTAL DAMAGES WHATSOEVER. No person or representative is authorized to assume for the Company any liability other than expressed herein in connection with the sale of this product.

Some states/provinces do not allow limitations on how long an implied warranty lasts or the exclusion or limitation of incidental or consequential damage so the above limitations or exclusions may not apply to you. This Warranty gives you specific legal rights and you may also have other rights which vary from state/province to state/province.

**U.S.A.:** Audiovox Return Center, 150 Marcus Blvd., Hauppauge, NY 11788

**CANADA:** Audiovox Return Center, c/o Genco, 6685 Kennedy Road, Unit #3 Door 14, Mississauga Ontario L5T 3A5

©2013 VOXX Accessories Corporation  
3502 Woodview Trace, Suite 220, Indianapolis, IN 46268

ANT3037X NA IB 01

## Free Manuals Download Website

<http://myh66.com>

<http://usermanuals.us>

<http://www.somanuals.com>

<http://www.4manuals.cc>

<http://www.manual-lib.com>

<http://www.404manual.com>

<http://www.luxmanual.com>

<http://aubethermostatmanual.com>

Golf course search by state

<http://golfingnear.com>

Email search by domain

<http://emailbydomain.com>

Auto manuals search

<http://auto.somanuals.com>

TV manuals search

<http://tv.somanuals.com>