



flat panel solutions

LCD TV Wall Mount
Installation Manual
MAF121BKR

Tools Required

Phillips Head Screw Driver

Ratchet or Driver with 1/2" (13 mm) Socket

Electric Drill

1/4" (6 mm) Drill Bit and Stud Finder for Drywall Installation

7/16" (11 mm) Masonry Bit for Concrete Installation





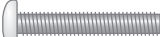







Warnings







1. Make sure these instructions are read and thoroughly understood before attempting installation. If you are unsure of any part of this installation, contact a professional installer for assistance.
2. The wall or mounting surface must be capable of supporting the combined weight of the mount and the display; otherwise the structure must be reinforced.
3. Safety gear and proper tools must be used. Failure to do so can result in property damage and/or serious injury.
4. A minimum of two people are required for this installation. Do not attempt to install this mount alone under any circumstance.
5. Follow all instructions and recommendations regarding adequate ventilation and suitable locations for mounting your display. Consult the owner's manual for your display for more information.

CAUTION:

This wall mount is intended for use only with the maximum weight of 36 kg/80 lbs. Use with heavier than the maximum weights indicated may result in instability causing possible injury. Follow the installation and operation instructions carefully.

Hardware Kit

Bag#	(Ref) Item (Qty)
1	(A) M4x12 Bolt (x4) 
	(B) M4x30 Bolt (x4) 
	(C) M4 Lock Washer (x4) 
2	(D) M5x12 Bolt (x4) 
	(E) M5x30 Bolt (x4) 
	(F) M5 Lock Washer (x4) 
3	(G) M6x12 Bolt (x4) 
	(H) M6x35 Bolt (x4) 
	(I) M6 Lock Washer (x4) 
4	(J) M8x16 Bolt (x4) 
	(K) M8x40 Bolt (x4) 
	(L) M8 Lock Washer (x4) 

5	(M) Small Spacer (x4) 
	(N) Large Spacer (x4) 
	(O) M6 Washer (x4) 
6	(P) Concrete Anchor (x4) 
	(Q) M8x63 Lag Bolt (x4) 
	(R) M6 Lag Bolt Washer (x4) 

Keep your sales receipt to obtain warranty parts and service and for proof of purchase. Attach it here and record the model number.

Model No. _____

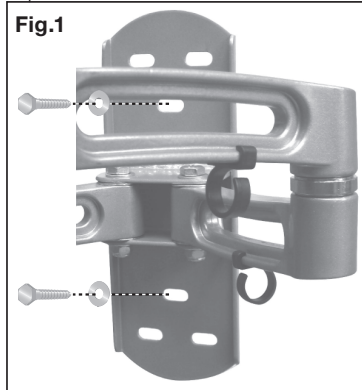
Purchase Date: _____

Dealer/Address/Phone _____

Part 1a - Mounting the Wall Plate (Drywall)

Important! For safety reasons, this mount must be secured to a wood stud and the stud must be capable of supporting the combined weight of the mount and display.

1. Using a high quality stud finder, locate and mark one stud for securing the mount.
2. With the help of another person, place the mount against the wall over the marked stud. Make sure the mount is level.
3. While another person holds the mount in place, mark two locations on the wall where the mount is to be installed. Be sure to use the center of the stud.
4. Set the mount aside and drill a 1/4" (6 mm) pilot hole at each marked location.
5. Place the mount back against the wall and secure it using the Lag Bolts (Q) and Lag Bolt Washers (R) provided (see Fig. 1). Do not over-tighten these bolts and do not release the mount until all bolts are in place



Part 1b – Mounting to the Wall (Concrete)

Important! For safety reasons, the concrete wall must be capable of supporting the combined weight of the mount and display.

1. With the help of another person, place the mount against the wall in the desired location and make sure it is level.
2. While another person holds the mount in place, mark at least two locations on the wall where the mount is to be installed.
3. Set the mount aside and drill a 7/16" (11 mm) pilot hole at each marked location. Remove any excess dust from the holes.
4. Insert a Concrete Anchor (P) into each hole so that it is flush with the concrete surface. A hammer can be used to lightly tap the anchors into place if necessary.

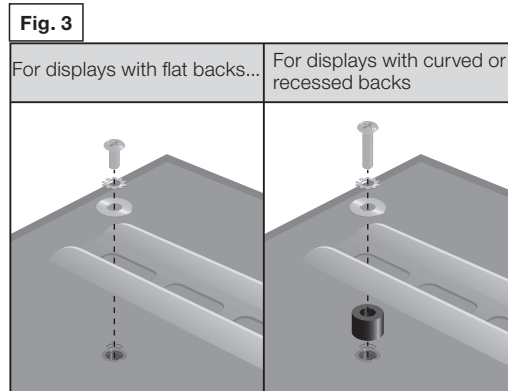
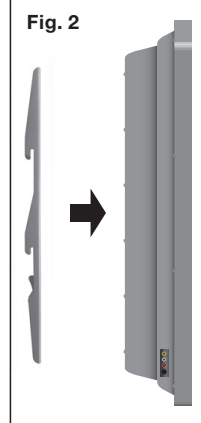
NOTE: If the concrete wall is covered by a layer of plaster or drywall, the concrete anchor must pass completely through the layer to rest flush with the concrete surface.
5. Place the mount back against the wall and secure it using the Lag Bolts (Q) and Lag Bolt Washers (R) provided (see Fig. 1). Do not over-tighten these bolts and do not release the mount until all bolts are in place.

Part 2 - Attaching the Arms to the Display

Important! Use extra care during the part of the installation. If possible, avoid placing your display facedown as it may damage the viewing surface.

Note: Your mount comes with a selection of bolt diameters and lengths to accommodate a wide variety of display models. Not all of the hardware in the kit will be used.

1. Determine the correct length of bolt to use with your display by first examining the back of your display.
 - A.** If your display has a flat back, you will use one of the shorter bolts (A, D, G, or J) from the hardware kit.
 - B.** If your display has a curved or recessed back, you will use one of the longer bolts (B, E, H, or K) along with a spacer (M or N).
2. Determine the correct diameter of bolt to use by carefully trying one bolt each from Bags 1 - 4 of the hardware kit. Do not force any of the bolts – if you feel resistance stop immediately and try a smaller diameter bolt.
3. Attach the arms to the back of your display using the bolts identified in Steps 1 and 2 along with the corresponding Lock Washer (C, F, I, or L) (see Fig. 2 and 3).
 - A.** If you are using the M4, M5, or M6 bolts (Bags 1, 2, and 3 respectively), you will also need to use the M6 Washers (O).
 - B.** If you are using one of the longer bolts on a display with a curved or recessed back, you will also use a Spacer (M or N). Use the Smaller Spacer (M) for M4 and M5 bolts and the Large Spacer (N) for M6 and M8 bolts.
4. Make sure all screws are secure, but do not over-tighten them.



Part 3 - Final Installation and Adjustment

1. With the help of another person, carefully lift your display and place it on mount (see Fig. 4). Place the display in the middle of the mount, and do not release the display until the mounting arms have securely hooked onto the crossbars.
2. Important! Move the safety tab located on each arm into position to avoid having the display accidentally lifted from the mount. A padlock can be inserted into one of the tabs to help prevent theft of your display (see Fig. 5).
3. Use the cable management hooks to help keep your power cord and other cables in order.

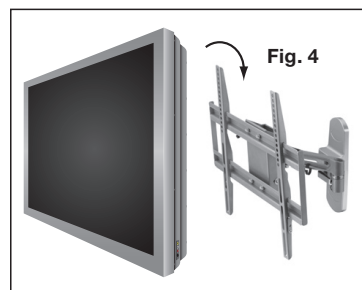
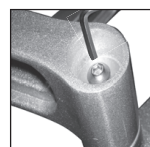


Fig. 5



Fig. 6



4. Side-to-side and front-to-back adjustments can be made by firmly grasping your display and carefully moving it to the desired position.

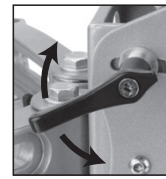


Fig. 7

5. If any of the arms become too loose to hold their position, they can be tightened using the Alley Key provided in your hardware kit (see Fig. 6).
6. To adjust the tilt position of your display, have one person hold the display in place while another person loosens the two tilt adjustment knobs located on either side of the mount (see Fig. 7). Once the knobs are loose, move the display to the desired angle. Tighten the knobs securely before releasing the display. NOTE: The tilt adjustment knobs have a ratchet feature. If you need to change the position of the knob without tightening or loosening the screw, simply pull the knob out before moving it.

Limited Lifetime Warranty

Audiovox Electronics Corporation (the "Company") warrants to you the original retail purchaser of this product that should it, under normal use and conditions, be proven defective in material or workmanship during its lifetime while you own it, such defect(s) will be repaired or replaced (at the Company's option) without charge for parts and repair labor. To obtain repair or replacement within the terms of this Warranty, the product is to be delivered with proof of warranty coverage (e.g. dated bill of sale), specification of defect(s), transportation prepaid, to the Company at the address shown below. Do not return this product to the Retailer.

This Warranty does not cover product purchased, serviced or used outside the United States or Canada.

This Warranty is not transferable and does not extend to costs incurred for installation, removal or reinstallation of the product. This Warranty does not apply if in the Company's opinion, the product has been damaged through alteration, improper installation, mishandling, misuse, neglect, or accident. THE EXTENT OF THE COMPANY'S LIABILITY UNDER THIS WARRANTY IS LIMITED TO THE REPAIR OR REPLACEMENT PROVIDED ABOVE AND, IN NO EVENT, SHALL THE COMPANY'S LIABILITY EXCEED THE PURCHASE PRICE PAID BY PURCHASER FOR THE PRODUCT.

This Warranty is in lieu of all other express warranties or liabilities. ANY IMPLIED WARRANTIES, INCLUDING ANY IMPLIED WARRANTY OF MERCHANTABILITY OR FITNESS FOR A PARTICULAR PURPOSE SHALL BE LIMITED TO DURATION OF THIS WARRANTY. IN NO CASE SHALL THE COMPANY BE LIABLE FOR ANY CONSEQUENTIAL OR INCIDENTAL DAMAGES WHATSOEVER. No person or representative is authorized to assume for the Company any liability other than expressed herein in connection with the sale of this product. Some states/provinces do not allow limitations on how long an implied warranty lasts or the exclusion or limitation of incidental or consequential damage so the above limitations or exclusions may not apply to you. This Warranty gives you specific legal rights and you may also have other rights which vary from state/province to state/province.

U.S.A.: Audiovox Electronics Corporation, 150 Marcus Blvd.,
Hauppauge, New York 11788

CANADA: Audiovox Return Center, c/o Genco, 6685 Kennedy Road, Unit 3, Door
16, Mississauga, Ontario L5T 3A5

Trademark(s) Registered

All other brands and product names are trademarks or registered trademarks of their respective owners.

© 2011 Audiovox Accessories Corporation

www.rcaudiovideo.com

MAF121BKR_US_IB_00

Free Manuals Download Website

<http://myh66.com>

<http://usermanuals.us>

<http://www.somanuals.com>

<http://www.4manuals.cc>

<http://www.manual-lib.com>

<http://www.404manual.com>

<http://www.luxmanual.com>

<http://aubethermostatmanual.com>

Golf course search by state

<http://golfingnear.com>

Email search by domain

<http://emailbydomain.com>

Auto manuals search

<http://auto.somanuals.com>

TV manuals search

<http://tv.somanuals.com>