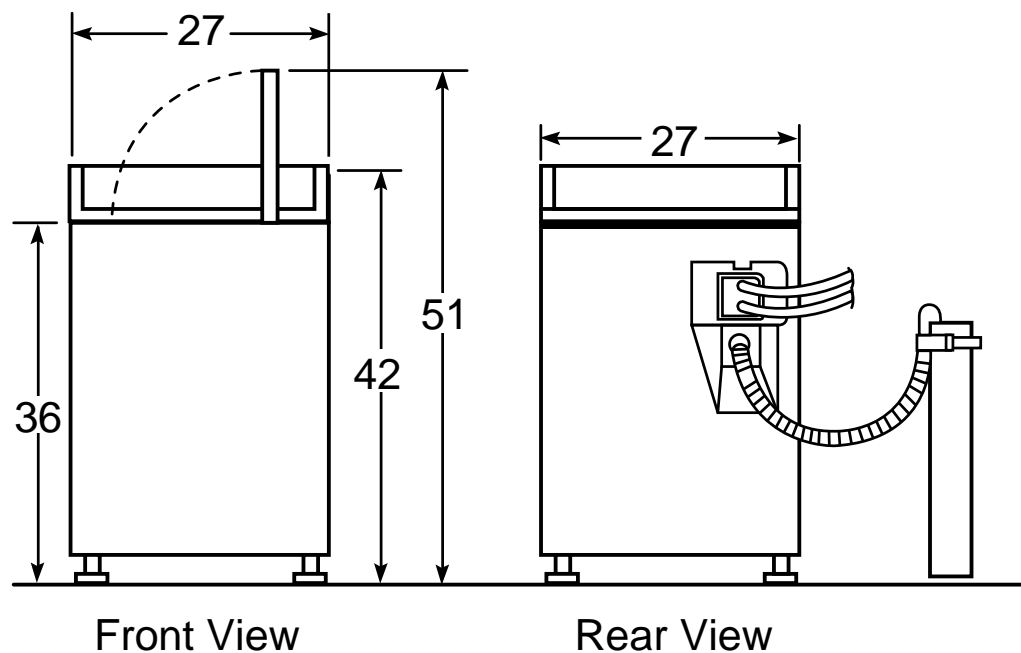




YBXR1060VWW—Extra-Large Capacity Washer

Washer Dimensions (in inches)



Circuit Requirements: An individual, properly-grounded branch circuit, with a three-prong grounding-type receptacle, protected by a 15 or 20 amp circuit breaker or a time-delay fuse, is required.

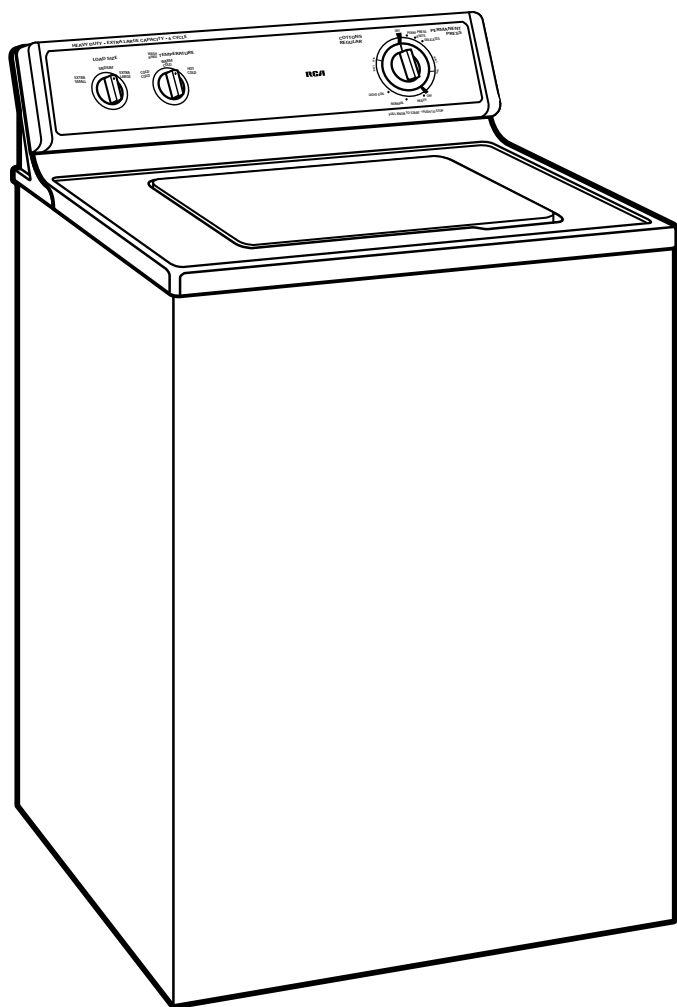
Electrical Rating: 115V, 60Hz, 10 Amps

For answers to your Monogram,[®]GE Profile Performance Series,[™] GE Profile,[™] GE, Hotpoint and RCA appliance questions, call GE Answer Center[®] service, 800.626.2000.





YBXR1060VWW—Extra-Large Capacity Washer



Features and Benefits

- Extra-Large (2.7 Cu. Ft.) Capacity
- Balance Pro™ Suspension System
- 6 Wash Cycles
- Cycles: Permanent Press, Knits, Delicates, Cottons Regular with Heavy Soil, Normal Soil and Light Soil
- 1 Wash/Spin Speed Combination
- 3 Wash/Rinse Temperatures
- 3 Water Levels
- FlexCare™ Agitator
- Self-Cleaning Filter
- Left-Hand Lid Opening
- Tuf Tub™ Basket
- Front Serviceable
- Model YBXR1060VWW-White on White

Created 9/97

Free Manuals Download Website

<http://myh66.com>

<http://usermanuals.us>

<http://www.somanuals.com>

<http://www.4manuals.cc>

<http://www.manual-lib.com>

<http://www.404manual.com>

<http://www.luxmanual.com>

<http://aubethermostatmanual.com>

Golf course search by state

<http://golfingnear.com>

Email search by domain

<http://emailbydomain.com>

Auto manuals search

<http://auto.somanuals.com>

TV manuals search

<http://tv.somanuals.com>