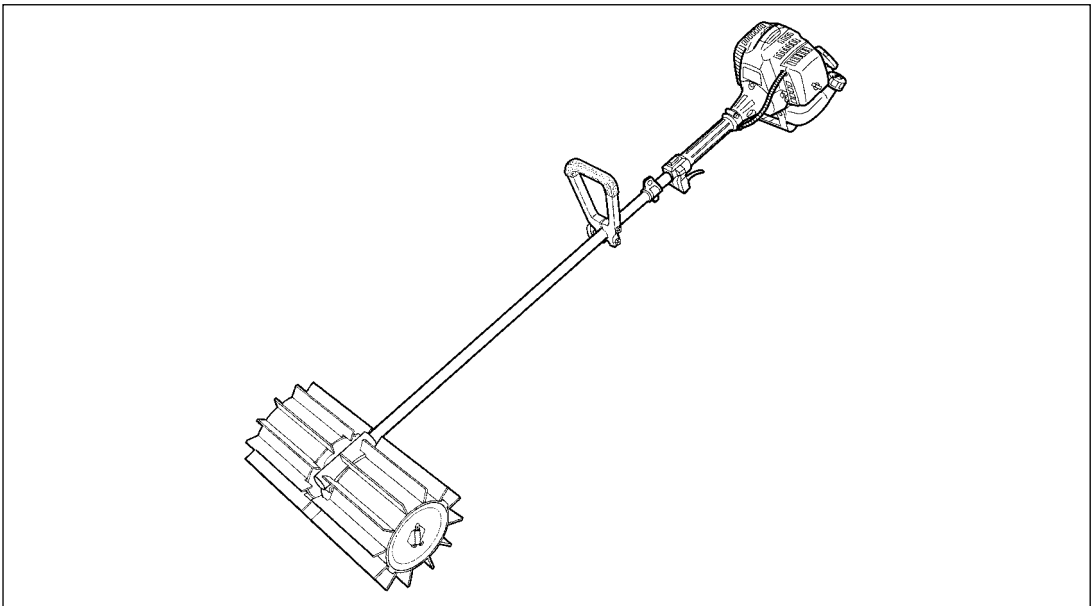




OWNER/OPERATOR MANUAL

SWEeper

RMSZ2500



WARNING



The engine exhaust from this product contains chemicals known to the State of California to cause cancer, birth defects or other reproductive harm.



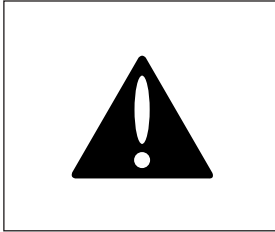
WARNING




Before using our products, please read this manual carefully to understand the proper use of your unit.

APPLICABLE SERIAL NUMBERS :

DRIVE UNIT 900101 and up SWEEPER UNIT 000000 and up ENGINE UNIT 009766 and up



SAFETY FIRST

Instructions contained in warnings within this manual marked with a  symbol concern critical points which must be taken into consideration to prevent possible serious bodily injury, and for this reason you are requested to read all such instructions carefully and follow them without fail.

■ WARNINGS IN THE MANUAL



This mark indicates instructions which must be followed in order to prevent accidents which could lead to serious bodily injury or death.



This mark indicates instructions which must be followed, or it leads to mechanical failure, breakdown, or damage.

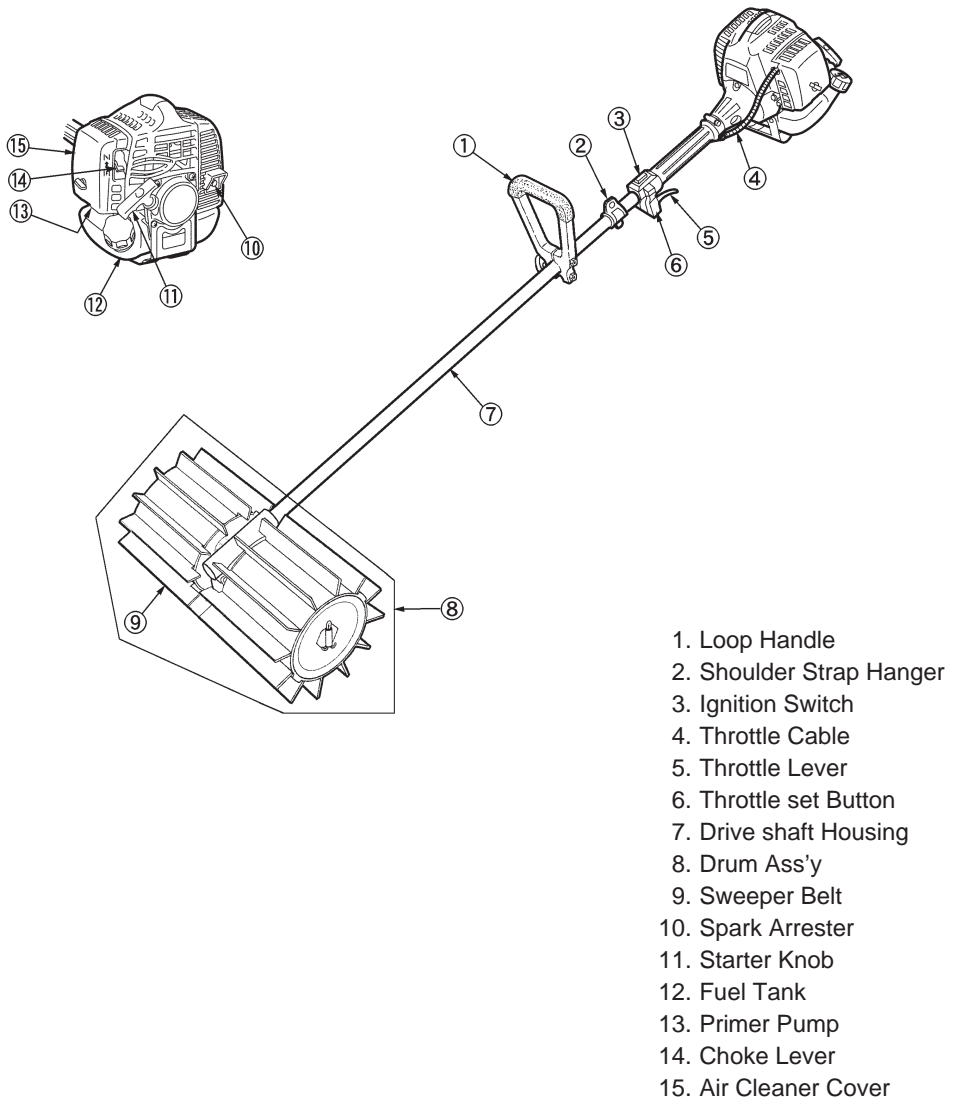


This mark indicates hints or directions useful in the use of the product.

CONTENTS

1. Parts location	4
2. Specifications	5
3. Warning labels on the machine	6
4. Symbols on the machine	7
5. For safe operation	8
6. Set up	14
7. Fuel	16
8. Operation	18
9. Maintenance	23
10. Storage	28
11. Troubleshooting guide	28
12. Parts list	29

1. Parts location



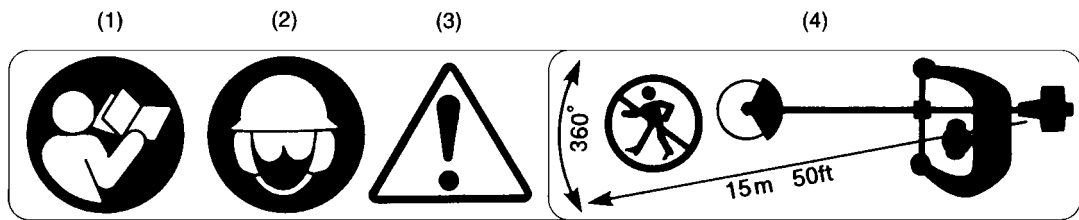
2. Specifications

■ RMSZ2500

Overall Size(LxWxH)	70.5(1790)x27(686)x12.2(310) in(mm)
Dry Weight	19.8 lbs (8.91kg)
Engine Type	Air-cooled 2-stroke Gasoline
Model	Zenoah GZ25N
Displacement	1.6cu-in (25.4cm ³)
Max. Output	1.2Hp (0.9kW)at 7500/min ⁻¹ (rpm)
Idle Speed	3000±200/min ⁻¹ (rpm)
Fuel	Mixture (Gasoline 50 : Oil 1)
Carburetor	Walbro Diaphragm Type
Spark Plug	NGK CMR7A
Durability period	300hrs
Fuel Tank Capacity.....	22.0 fl.oz (0.65ℓ)
Transmission	Centrifugal Clutch, Rigid Driveshaft
Reduction Ratio	40.0
Standard Accessories	
Goggle	1 pc.
Tool Kit	1 pc.
Mask	1 pc.

Specifications are subject to change without notice.

3. Warning labels on the machine



- (1) Read owner's manual before operating this machine.
- (2) Wear head, eye and ear protection.
- (3) Warning/Attention
- (4) Keep all children, bystanders and helpers 15 meters away from the unit

! IMPORTANT

If warning label peel off or become soiled and impossible to read, you should contact the dealer from which you purchased the product to order new labels and affix them in the required location(s).

! WARNING

Never modify your machine.
We won't warrant the machine, if you use the remodeled sweeper or you don't observe the proper usage written in the manual.

- (1) Lire le mode d'emploi avant d'utiliser cette machine.
- (2) Porter un casque de sécurité, des lunettes de sécurité et un casque antibruit.
- (3) Avertissement/Attention
- (4) Interdire aux enfants ou à toute personne de s'approcher dans un rayon de 15 mètres de la débroussailleuse.

! IMPORTANT

Si les étiquettes d'avertissement se décollent, deviennent sales ou impossible à lire, commander de nouvelles étiquettes auprès du revendeur pour les remplacer.

! AVERTISSEMENT

Ne pas modifier la machine.
La garantie sera annulée si la machine a été modifiée ou utilisée de manière non conforme aux instructions de ce mode d'emploi.

4. Symbols on the machine

For safe operation and maintenance, symbols are carved in relief on the machine. According to these indications, please be careful not to take a mistake.



(a)

(a) The port to refuel the "MIX GASOLINE"
Position: FUEL TANK CAP



(b)

(b) The direction to close the choke
Position: AIR CLEANER COVER



(c)

(c) The direction to open the choke
Position: AIR CLEANER COVER

IMPORTANT ENGINE INFORMATION

THIS ENGINE MEETS U.S. EPA PH1 AND 2000 AND LATER CALIFORNIA EMISSION REGULATIONS FOR SMALL OFF-ROAD ENGINES WITH AN EMISSION DURABILITY PERIOD OF 300 HOURS.

ENGINE FAMILY : XKZXS.0254QR
ENGINE DISPLACEMENT : 25.4cc
REFER TO OWNER'S MANUAL FOR MAINTENANCE SPECIFICATIONS AND ADJUSTMENTS.



RedMax[®]
KOMATSU ZENOAH CO.

INFORMATION IMPORTANTE CONCERNANT LE MOTEUR

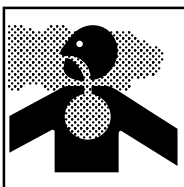
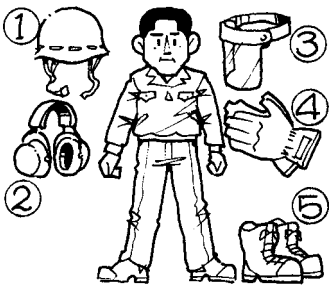
Ce moteur est conforme aux normes U.S. EPA PH1 et 2000 ainsi qu'aux autres dispositions ultérieures de la réglementation concernant la pollution de l'air pour les petits moteurs tout-terrain avec une période de durabilité pour les émissions de 300 heures.

Type de moteur : XKZXS.0254QR
Cylindrée du moteur : 25,4cc
Se référer au Manuel de l'utilisateur pour les spécifications d'entretien et les réglages.



RedMax[®]
KOMATSU ZENOAH CO.

5. For safe operation



1. Read this manual carefully until you completely understand and follow all safety and operating instructions.
2. Keep this manual handy so that you may refer to it later whenever any questions arise. Also note, if you have any questions which cannot be answered herein, contact the dealer from whom you purchased the product.
3. Always be sure to include this manual when selling, lending, or otherwise transferring the ownership of this product.
4. Never allow children or anyone unable to fully understand the directions given in the manual to use the machine.

■ WORKING CONDITION

1. When using the product, you should wear proper clothing and protective equipment.

(1) Helmet

(2) Ear protectors

(3) Protection goggles or face protector

(4) Thick work gloves

(5) Non-slip-sole work boots

2. And you should carry with you.

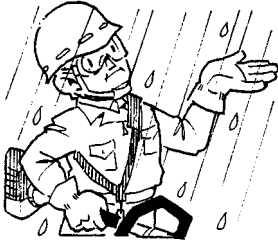
- (1) Attached tools and files
- (2) Properly reserved fuel
- (3) Spare blade
- (4) Things to notify your working area (rope, warning signs)
- (5) Whistle (for collaboration or emergency)
- (6) Hatchet or saw (for removal of obstacles)

3. Do not wear loose clothing, jewelry, short trousers, sandals, or go barefoot. Do not wear anything which might be caught by a moving part of the unit. Secure hair so it is above shoulder length.

■ WORKING CIRCUMSTANCE

1. Never start the engine inside a closed room or building. Exhaust gases contain dangerous carbon monoxide.
2. Never use the product,
 - a. when the ground is slippery or when you can't maintain a steady posture.

5. For safe operation



- b. At night, at times of heavy fog, or at any other times when your field of vision might be limited and it would be difficult to gain a clear view of the working area.
- c. During rain storms, during lightning storms, at times of strong or gale-force winds, or at any other times when weather conditions might make it unsafe to use the product.



■ WORKING PLAN

1. You should never use the product when under the influence of alcohol, when suffering from exhaustion or lack of sleep, when suffering from drowsiness as a result of having taken cold medicine or at any other time when a possibility exists that your judgment might be impaired or that you might not be able to operate the product properly and in a safe manner.
2. When planning your work schedule, allow plenty of time to rest. Limit the amount of time over which the product is to be used continuously to somewhere around 30~40 minutes per session, and take 10~20 minutes of rest between work sessions. Also try to keep the total amount of work performed in a single day under 2 hours or less.



WARNING

1. If you don't observe the working time, or working manner (See ■ USING THE PRODUCT), Repetitive Stress Injury (RSI) could occur.
If you feel discomfort, redness and swelling of your fingers or any other part of your body, see a doctor before getting worse.
2. To avoid noise complaints, in general, operate product between 8a.m. and 5p.m. on weekdays and 9a.m. to 5p.m. weekends.

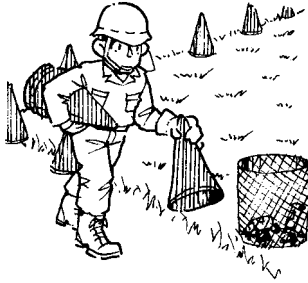


NOTE

Check and follow the local regulations as to sound level and hours of operations for the product.



5. For safe operation

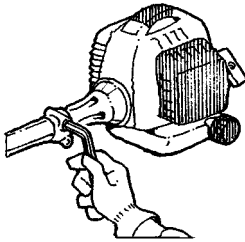


■ BEFORE STARTING THE ENGINE

1. The area within a perimeter of 50 feet (15m) of the person using the product should be considered a hazardous area into which no one should enter. If necessary yellow warning rope, warning signs should be placed around the perimeter of the area. When work is to be performed simultaneously by two or more persons, care should also be taken to constantly look around or otherwise check for the presence and locations of other people working so as to maintain a distance between each person sufficient to ensure safety.
2. Check the condition of working area to avoid any accident by hitting hidden obstacles such as stumps, stones, cans, or broken grass.

! IMPORTANT

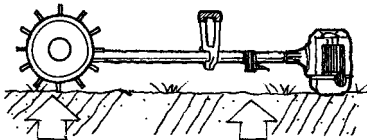
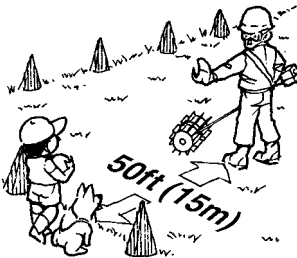
Remove any obstacle before beginning work.



3. Inspect the entire unit for loose fasteners and fuel leakage. Make sure that the cutting attachment is properly installed and securely fastened.

■ STARTING THE ENGINE

1. Keep bystanders and animals at least 50feet (15m) away from the operating point. If you are approached, immediately stop the engine.
2. The product is equipped with a centrifugal clutch mechanism, so the cutting attachment begins to rotate as soon as the engine is started by putting the throttle into the start position. When starting the engine, place the product onto the ground in a flat clear area and hold it firmly in place so as to ensure that neither the cutting part nor the throttle come into contact with any obstacle when the engine starts.



5. For safe operation

WARNING

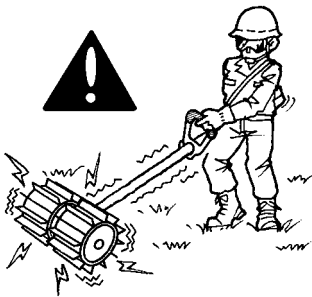
Never place the throttle into the high speed position when starting the engine.

3. After starting the engine, check to make sure that the Drum Ass'y stops rotating when the throttle is moved fully back to its original position. If it continues to rotate even after the throttle has been moved fully back, turn off the engine and take the unit to your authorized Red Max servicing dealer for repair.

■ USING THE PRODUCT

IMPORTANT

Use only for tasks explained in the manual.



1. Grip the handles firmly with both hands using your whole hand. Place your feet slightly apart (slightly further apart than the width of your shoulders) so that your weight is distributed evenly across both legs, and always be sure to maintain a steady, even posture while working.
2. Keep sweeping attachment below waist level.
3. Maintain the speed of the engine at the level required to perform sweeping work, and never raise the speed of the engine above the level necessary.
4. If the unit start to shake or vibrate, turn off the engine and check the whole unit. Do not use it until the trouble has been properly corrected.
5. Keep all parts of your body away from rotating sweeping attachment and hot surfaces.
6. Never touch the muffler, spark plug, or other metallic parts of the engine while the engine is in operation or immediately after shutting down the engine. Doing so could result in serious burns or electrical shock.



5. For safe operation

• IF SOMEONE COMES

1. Guard against hazardous situations at all times. Warn adults to keep pets and children away from the area. Be careful if you are approached. Injury may result from flying debris.
2. If someone calls out or otherwise interrupts you while working, always be sure to turn off the engine before turning around.



■ MAINTENANCE

1. In order to maintain your product in proper working order, perform the maintenance and checking operations described in the manual at regular intervals.
2. Always be sure to turn off the engine before performing any maintenance or checking procedures.

▲ WARNING

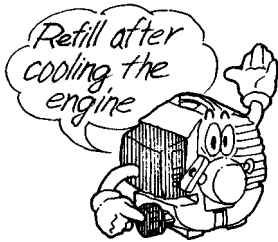
The metallic parts reach high temperatures immediately after stopping the engine.

3. When replacing the sweeping attachment or any other part, or when replacing the oil or any lubricant, always be sure to **use only RedMax products or products which have been certified by RedMax for use with the RedMax product.**
4. In the event that any part must be replaced or any maintenance or repair work not described in this manual must be performed, please contact a representative from the store nearest RedMax authorized servicing dealer for assistance.
5. Do not use any accessory or attachment other than those bearing the RedMax mark and recommended for the unit.
6. Under no circumstances should you ever take apart the product or alter it in any way. Doing so might result in the product becoming damaged during operation or the product becoming unable to operate properly.

■ HANDLING FUEL

1. The engine of the RedMax product is designed to run on a mixed fuel which contains highly flammable gasoline. Never store cans of fuel or

5. For safe operation



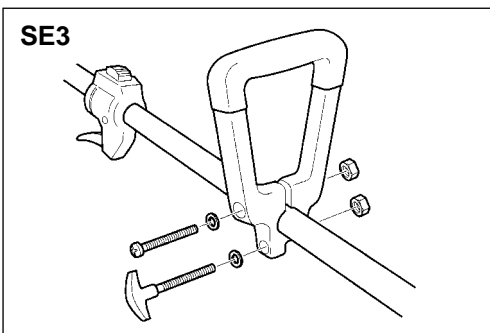
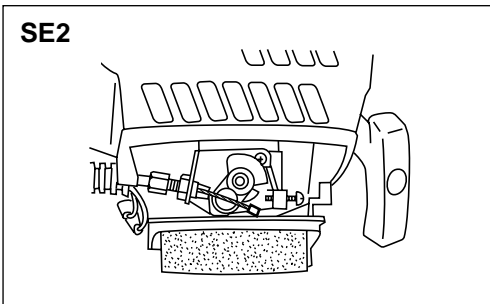
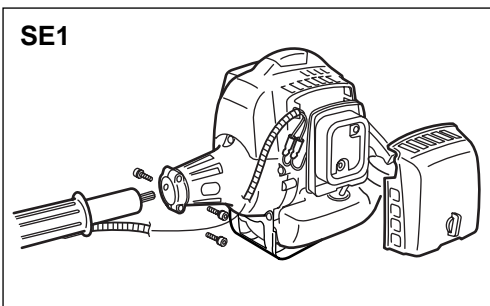
refill the tank of the unit in any place where there is a boiler, stove, wood fire, electrical sparks, welding sparks, or any other source of heat or fire which might ignite the fuel.

2. Never smoke while operating the unit or refilling its fuel tank.
3. When refilling the tank, always turn off the engine and allow it to cool down. Take a careful look around to make sure that there are no sparks or open flames anywhere nearby before refueling.
4. Wipe spilled fuel completely using a dry rag if any fuel spillage occurs during refueling.
5. After refueling, screw the fuel cap back tightly onto the fuel tank and then carry the unit to a spot 10 feet (3 m) or more away from where it was refueled before turning on the engine.

■ TRANSPORTATION

1. Never transport the product over rough roads over long distances by vehicle without removing all fuel from the fuel tank. If doing so, fuel might leak from the tank during transport.

6. Set up



■ MOUNTING ENGINE (SE1)

1. Push the driveshaft housing toward the clutch housing and rotate it by hand to check that the driveshaft is engaged with the gears.
2. Insert the driveshaft housing into the clutch housing until it bottoms, and align the positioning holes on the clutch housing and the shaft tube and install the screw. When difficult to engage, twist the engine slightly.
3. Fasten the clamp securely with two screws.

⚠ IMPORTANT

Tighten the screws gradually by turns.

■ CONNECTING THROTTLE WIRE

1. Remove the air cleaner cover.
2. Connect the end of the throttle wire to the joint on the top of the carburetor. (SE2)

■ CONNECTING SWITCH WIRES

- Connect the switch wires between the engine and the main unit. Pair the wires of the same color.

■ INSTALL THE HANDLE

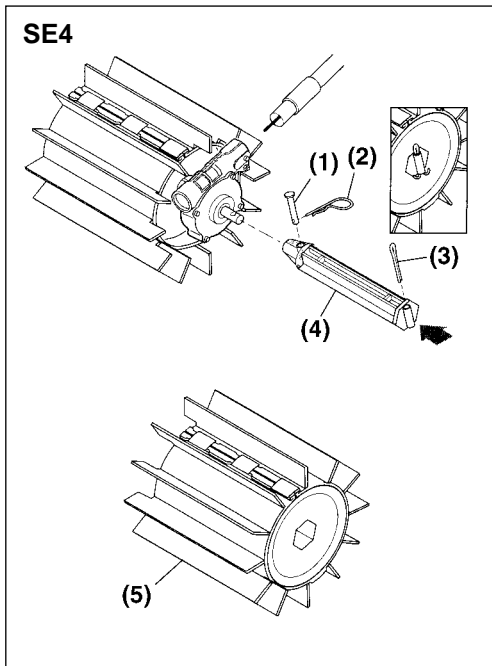
1. Remove both screws from the handle.
2. While spreading the handle at the mounting hole, position the handle on the outer tube as shown.
3. Reinstall the two mounting screws in the handle, but do not tighten them at this time.

📖 NOTE

One side of the handle is recessed to receive the hex nuts.

4. Locate the handle at the best position for operator comfort (usually about 10 inches (25cm) ahead of the throttle lever), and secure it by tightening the knob at the handle base.

6. Set up



■ SWEEPER ASSEMBLY (SE4)

1. Push one of the drum axles onto either of the two gearcase output shafts. If necessary, rotate the drum axle until the clevis pin hole in the axle aligns with the matching hole in the gearcase output shaft.
2. Use a clevis pin and hitch pin to secure the drum axle to the shaft.
3. Slide the recessed end of a sweeper drum assembly over the assembled axle, and then push the drum down the axle until it bottoms at the clevis pin.

(1) Clevis Pin

(2) Hitch Pin

(3) Cotter Pin

(4) Drum Axle

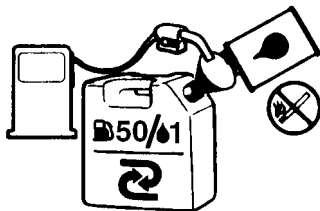
(5) Drum Assembly

⚠ IMPORTANT

The two drum assemblies are identical, but each drum must be installed with its recessed end facing toward the gearcase.

4. Use a cotter pin to secure the drum assembly on the axle (see inset). The cotter pin is designed to fit tightly against the outboard end of the drum, so you may need to compress the drum face slightly during installation.
5. Repeat Steps 1-4 to install the remaining axle and drum assembly.

7. Fuel



50:1 MIXING CHART

GASOLINE	gal.	1	2	3	4	5
2-CYCLE OIL	fl.oz	2.6	5.2	7.8	10.4	13

GASOLINE	liter	1	2	3	4	5
2-CYCLE OIL	ml	20	40	60	80	100

⚠ WARNING

- Gasoline is very flammable. Avoid smoking or bringing any flame or sparks near fuel. Make sure to stop the engine and allow it cool before refueling the unit. Select outdoor bare ground for fueling and move at least 3m(10ft) away from the fueling point before starting the engine.
- The RedMax engines are lubricated by oil specially formulated for air-cooled 2-cycle gasoline engine use. If RedMax oil is not available, use an anti-oxidant added quality oil expressly labeled for air-cooled 2-cycle engine use. (JASO FC GRADE OIL or ISO EGC GRADE)

RECOMMENDED MIXING RATIO GASOLINE 50:OIL 1

- Exhaust emission are controlled by the fundamental engine parameters and components(eq., carburation, ignition timing and port timing) without addition of any major hardware or the introduction of an inert material during combustion.
- These engines are certified to operate on unleaded gasoline.
- Make sure to use gasoline with a minimum octane number of 90 ROZ(USA/Canada : pump octane min.87)
- Unleaded gasoline is recommended to reduce the contamination of the air for the sake of your health and the environment.
- Poor quality gasolines or oils may damage sealing rings, fuel lines or fuel tank of the engine.

■ HOW TO MIX FUEL

1. Measure out the quantities of gasoline and oil to be mixed.
2. Put some of the gasoline into a clean, approved fuel container.
3. Pour in all of the oil and agitate well.
4. Pour in the rest of gasoline and agitate again for at least one minute.
5. Put a clear indication on the outside of the

7. Fuel

container to avoid mixing up with gasoline or other containers.

6. Indicate the contents on outside of container for easy identification.

■ FUELING THE UNIT

1. Untwist and remove the fuel cap. Rest the cap on a dustless place.
2. Put fuel into the fuel tank to 80% of the full capacity.
3. Fasten the fuel cap securely and wipe up any fuel spillage around the unit.

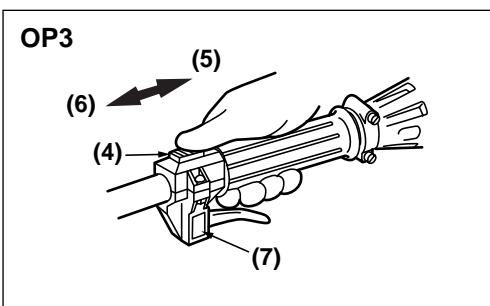
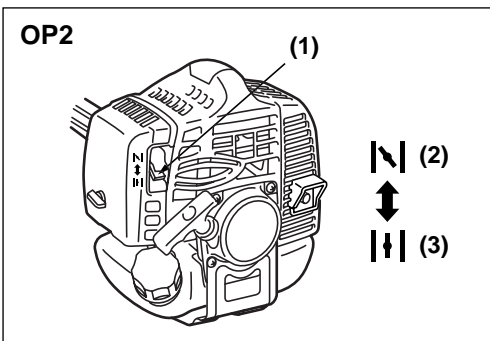
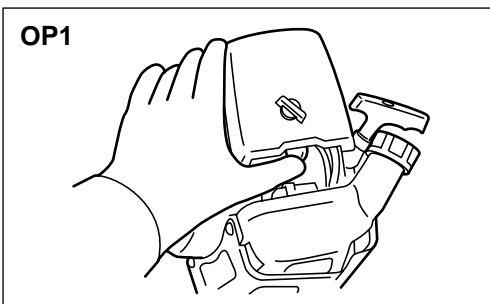
WARNING

1. Select bare ground for fueling.
2. Move at least 10 feet (3 meters) away from the fueling point before starting the engine.
3. Stop the engine before refueling the unit.

FOR YOUR ENGINE LIFE, AVOID;

1. **FUEL WITH NO OIL(RAW GASOLINE)** – It will cause severe damage to the internal engine parts very quickly.
2. **GASOHOL** – It can cause deterioration of rubber and/or plastic parts and disruption of engine lubrication.
3. **OIL FOR 4-CYCLE ENGINE USE or WATER COOLED 2-CYCLE ENGINE USE** – It can cause spark plug fouling, exhaust port blocking, or piston ring sticking.
4. **Mixed fuels which have been left unused for a period of one month or more** may clog the carburetor and result in the engine failing to operate properly.

8. Operation



■ STARTING ENGINE

⚠ WARNING

The cutting head will start rotating upon the engine starts.

1. Rest the unit on a flat, firm place. Keep the cutting head off the ground and clear of surrounding objects as it will start rotating upon starting of the engine.
2. Push the primer pump several times until overflow fuel flows out in the clear tube. (OP1)
3. Move the choke lever to the closed position. (OP2)
4. Set the ignition switch to the "start" position. While pulling the throttle lever, push the set button, and release the throttle, then the throttle lever is in to the "start" position. (OP3)
5. While holding the unit firmly, pull out the starter rope quickly until engine fires. (OP4)

**(1) Choke lever (2) Close (3) Open
(4) Ignition Switch (5) Start (6) Stop
(7) Throttle Set Button**

ⓘ IMPORTANT

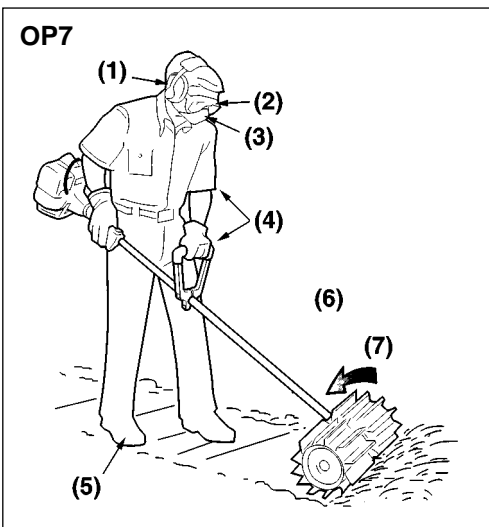
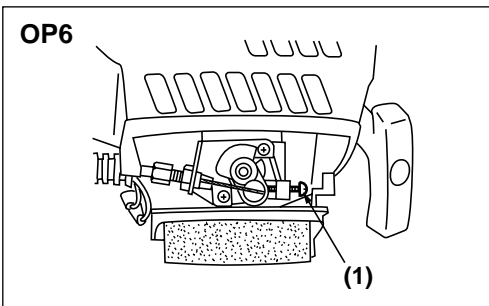
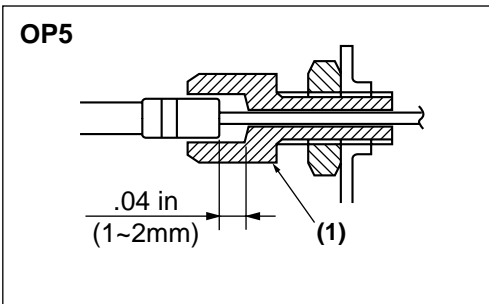
- Avoid pulling the rope to its end or returning it by releasing the knob. Such actions can cause starter failures.

6. Move the choke lever downward to open the choke. And restart engine. (OP2)
7. Allow the engine to warm up for a several minutes before starting operation.

📖 NOTE

1. When restarting the engine immediately after stopping it, leave the choke open.
2. Overchoking can make the engine hard to start due to excess fuel. When the engine failed to start after several attempts, open the choke and repeat pulling the rope, or remove the spark plug and dry it.

8. Operation



■ STOPPING ENGINE (OP3)

1. Release the throttle lever and run the engine for a half minute.
2. Shift the ignition switch to the STOP position.

❗ IMPORTANT

- Except for an emergency, avoid stopping the engine while pulling the throttle lever.

■ ADJUSTING THROTTLE CABLE

- The normal play is 1 or 2mm when measured at the carburetor side end. Readjust with the cable adjuster as required. (OP5)

(1) Cable Adjuster

■ ADJUSTING IDLING SPEED (OP6)

1. When the engine tends stop frequently at idling mode, turn the adjusting screw clockwise.
2. When the cutting head keeps rotating after releasing the trigger, turn the adjusting screw counter-clockwise.

(1) Idle Adjusting Screw

📖 NOTE

- Warm up the engine before adjusting the idling speed.

■ BREAK-IN OPERATION

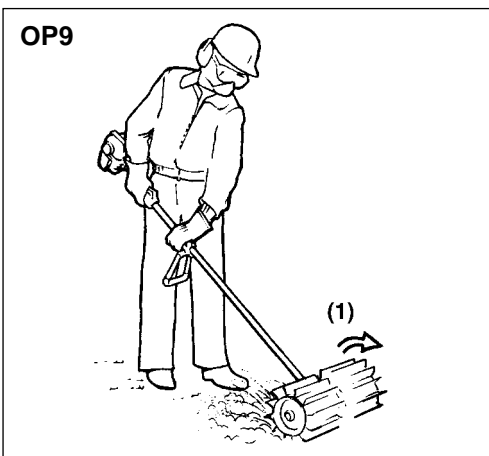
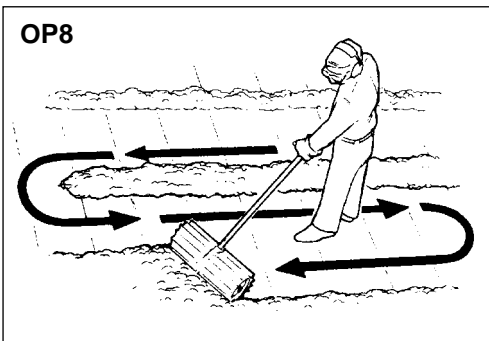
The Properly Dressed Operator (OP7)

- (1) **ALWAYS** wear hearing protective devices.
- (2) **ALWAYS** wear eye protection such as goggles or safety glasses.
- (3) **ALWAYS** wear a mask to protect against dust or other airborne particles.
- (4) **ALWAYS** wear close fitting clothes. Gloves offer added protection and are strongly recommended. Do not wear clothing or jewelry that could get caught in machinery.
- (5) **ALWAYS** wear leather or heavy-rubber shoes. NEVER work barefooted!
- (6) **BEWARE** of thrown debris!
- (7) **DIRECTION OF ROTATION**

8. Operation

- The RedMax Sweeper works best when its rubber fins can quickly slide or "skim" over the surface being swept.
- New or replacement sweeper belts tend to grip or drag on hard surfaces, and should be thoroughly broken in or "scuffed" before the broom is actually put to work.
- Break-in is easily accomplished by operating the RedMax Sweeper at full throttle for 3 to 5 minutes in loose gravel or similar abrasive material. Once broken in, a RedMax Sweeper will effortlessly move an amazing variety of materials, ranging from snow or standing water to heavier objects such as wood chips or gravel.
- Experience will help you understand the operating principles of the RedMax Sweeper, but safe operation must be practiced from the start.

■ **OPERATING TECHNIQUES (OP8)(OP9)(OP10)**
Operate the RedMax Sweeper at or near full throttle with its sweeper fins resting on the work surface.

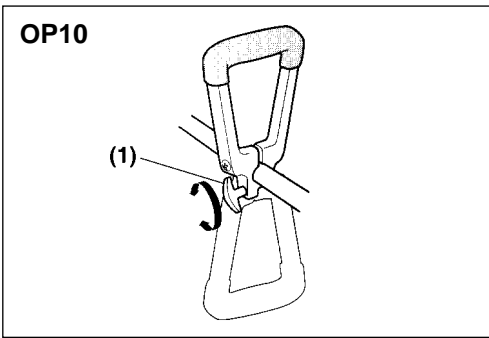


 **NOTE**

- It is both tiring and unnecessary to lift or hold the fins from the work surface during sweeping.
- When sweeping narrow areas such as sidewalks, the RedMax Sweeper can be used to throw material directly ahead of the operator. Clearing wider areas may require sweeping at an angle to create windrows to one side of the path being cleared.
- Windrows of lighter materials often can be combined into one main row or pile for eventual pickup, while heavy or bulky material may need to be collected row-by-row.
- To pull debris from corners, reverse sweeper drum rotation by turning the powerhead over (throttle facing "up") .
- Sweeping corners with the RedMax Sweeper upside down. (OP9)

(1) Direction of rotation

8. Operation

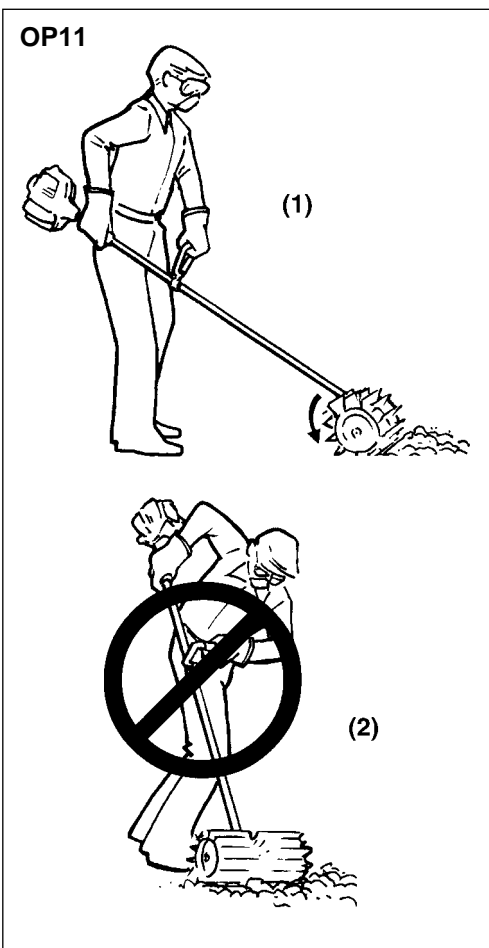


- For long-term inverted operation, loosen the adjustment knob to reverse the handle. (OP10)

(1) Adjustment Knob

⚠ WARNING

Reversing the RedMax Sweeper will cause debris to be thrown back toward the operator. When reversing the RedMax Sweeper, use lower throttle settings and beware that thrown debris may also affect your footing!



■ OPERATING AND SAFETY TIPS (OP11)

⚠ WARNING

Maintain a shallow angle to the work surface!

- A high angle of operation tends to propel the broom toward you, risking loss of control of the machine.

(1) Maintain a shallow working angle.

(2) A steep working angle risks loss of control!

The sweeper belts may rotate when the RedMax Sweeper is started!

- Always maintain a firm grip when starting the RedMax Sweeper. Beware of objects that could become entangled in or be thrown by the rotating sweeper belts.

YOU MUST ALWAYS GUARD AGAINST THROWN DEBRIS!

- Although the RedMax Sweeper's sweeper belts are less forceful than a lawnmower blade, you must avoid any operation where thrown objects could pose a threat to persons or property!

Never operate the RedMax Sweeper if any protective devices (engine covers, stop switch, etc.) are missing or damaged!

Never operate the engine at high rpms without

8. Operation

a load!

- Doing so could damage the engine.

Avoid low rpm operation

- Continuous low-rpm operation can lead to premature clutch failure.

■ GENERAL SAFETY INSTRUCTIONS

Work Safely

The operator or bystanders can be injured if the RedMax Sweeper is misused or abused. Never allow a person without training or instruction to operate your machine.



Never make unauthorized attachment installations.

Stay Alert

You must be physically and mentally fit to operate this machine safely.

9. Maintenance

■ MAINTENANCE CHART

	system/component	procedure	before use	every 25 hours after	every 40 hours after	every 50 hours after	every 100 hours after	note
ENGINE	fuel leaks, fuel spillage	wipe out	✓					
	fuel tank, air filter, fuel filter	inspect/clean	✓	✓				replace, if necessary
	idle adjusting screw	see ■ADJUSTING IDLING SPEED (p.19)	✓					replace carburetor if necessary
	spark plug	clean and readjust plug gap				✓		GAP: .025in(0.6-0.7mm) replace, if necessary
	cylinder fins, intake air cooling vent	clean		✓				
	muffler, spark arrester, cylinder exhaust port	clean				✓		
SHAFT	throttle lever, ignition switch	check operation	✓					
	sweeper unit	replace if something's wrong	✓					
	gear case	oil	✓		✓			
	screws/nuts/bolts	tighten/replace	✓				✓	not adjusting screws

■ GEARCASE LUBRICATION

With the exception of oil leaks or contamination, the RedMax Sweeper's oil filled gearcase is designed to last the life of the machine under normal use:

- It is not necessary to add oil or to "top off" the gearcase under normal operating conditions.
- For continuous heavy-duty applications, (such as where the machine will be stopped only during refueling), RedMax recommends replacing RedMax Sweeper gearcase oil every **40 hours** of operation.

■ REPLACING THE GEARCASE OIL (MA1)

Warm the gearcase oil by running the RedMax Sweeper at varying speeds for approximately 8-10 minutes, and then switch the engine to "OFF" and disconnect the spark plug wire at the engine. Use the following procedure to remove and replace all gearcase oil.

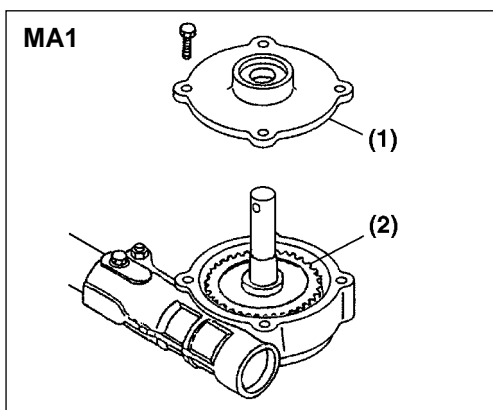
1. Remove the drum and axle assemblies (see page 13), and then remove the four end cap bolts and the end cap (the gearcase **need not**

9. Maintenance

- be removed from the RedMax Sweeper).
2. Allow all used gearcase oil to drain into a small container.

⚠ WARNING

BURN DANGER! The gearcase and oil will be extremely hot after use!



3. Place the RedMax Sweeper main gear flat. Refill the gearcase with Mobil SHC 634 Synthetic Gear Oil to the top of the main gear (60ml – 1.80zs), as shown. DO NOT OVERFILL! (MA1)

- (1) End cap
- (2) Main gear

4. Apply a continuous bead of loctite ultra grey around the pilot diameter of the end cap. Install the end cap, and then install and firmly tighten the four end cap bolts.
5. Install the drum and axle assemblies, and then reconnect the spark plug wire.

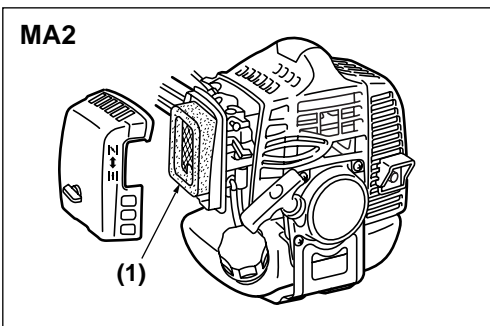
⚠ IMPORTANT

- Use only Mobil SHC 634 Synthetic Gear Oil.
- Do not mix other oils or additives with the RedMax Sweeper Gearcase Oil.
- Do not disturb the sealed end plug or bolt on the gearcase (leakage may occur).
- Do not use the RedMax Sweeper if oil is leaking from the gearcase. Return the machine to the dealer for repairs.

9. Maintenance

⚠ WARNING

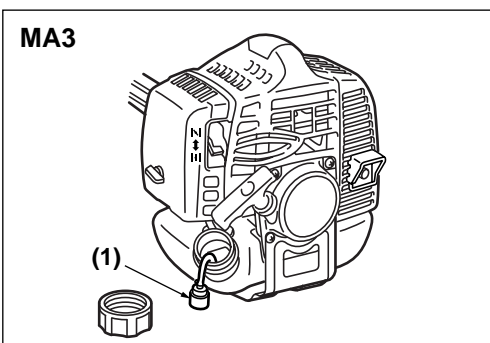
- Make sure that the engine has stopped and is cool before performing any service to the machine. Contact with moving cutting head or hot muffler may result in a personal injury.



■ AIR FILTER

- The air filter, if clogged, will reduce the engine performance. Check and clean the filter element in warm, soapy water as required. Dry completely before installing. If the element is broken or shrunk, replace with a new one. (MA2)

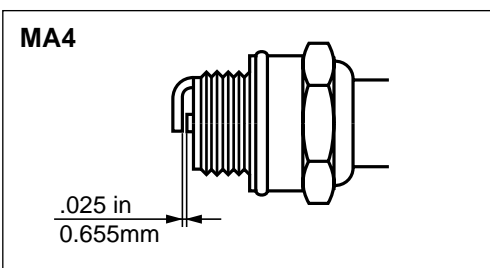
(1) Air Filter



■ FUEL FILTER

- When the engine runs short of fuel supply, check the fuel cap and the fuel filter for blockage. (MA3)

(1) Fuel Filter



■ SPARK PLUG

- Starting failure and mis-firing are often caused by a fouled spark plug. Clean the spark plug and check that the plug gap is in the correct range. For a replacement plug, use the correct type specified by RedMax. (MA4)

- **REPLACEMENT PLUG IS A NGK CMR7A.**

⚠ IMPORTANT

- Note that using any spark plug other than those designated may result in the engine failing to operate properly or in the engine becoming overheated and damaged.
- To install the spark plug, first turn the plug until it is finger tight, then tighten it a quarter turn more with a socket wrench.

TIGHTENING TORQUE: 87~104 in-lbs
(9.8~11.8 N.m.)

9. Maintenance

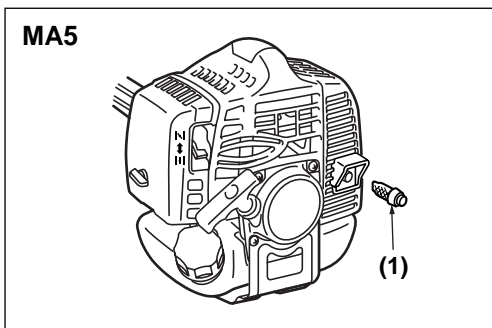
■ MUFFLER

⚠ WARNING

- Inspect periodically, the muffler for loose fasteners, any damage or corrosion. If any sign of exhaust leakage is found, stop using the machine and have it repaired immediately.
- **Note that failing to do so may result in the engine catching on fire.**

■ SPARK ARRESTER

- The muffler is equipped with a spark arrester to prevent red hot carbon from flying out of the exhaust outlet. Periodically inspect and clean as necessary with a wire brush. In the State of California it is required by law (Section 4442 of the California Public Resources Code) to equip a spark arrester when a gas powered tool is used in any forest covered, brush covered, or grass covered unimproved land. (MA5)



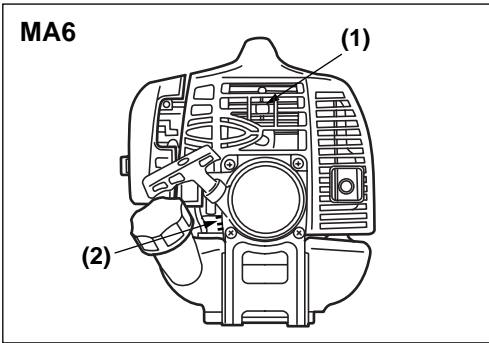
(1) Spark Arrester

■ INTAKE AIR COOLING VENT

⚠ WARNING

- **Never touch the cylinder, muffler, or spark plugs with your bare hands immediately after stopping the engine. The engine can become very hot when in operation, and doing so could result in severe burns.**
- **When checking the machine to make sure that it is okay before using it, check the area around the muffler and remove any wood chips or leaves which have attached themselves to the sweeper. Failing to do so could cause the muffler to become overheated, and that this in turn could cause the engine to catch on fire. Always make sure that the muffler is clean and free of wood chips, leaves, and other waste before use.**
- Check the intake air cooling vent and the area around the cylinder cooling fins after every 25 hours of use for blockage, and remove any

9. Maintenance



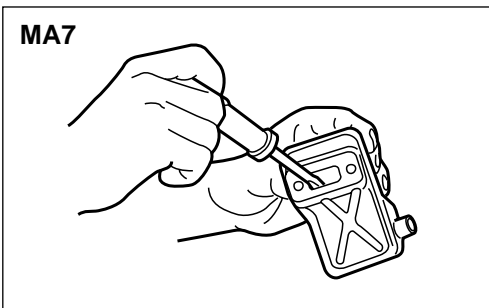
waste which has attached itself to the sweeper. Note that it is necessary to remove the engine cover shown in (MA6) in order to be able to view the upper part of the cylinder.

⚠ IMPORTANT

- If waste gets stuck and causes blockage around the intake air cooling vent or between the cylinder fins, it may cause the engine to overheat, and that in turn may cause mechanical failure on the part of the sweeper. (MA6)

(1) Cylinder

(2) Intake Air Cooling Vent (back)



■ PROCEDURES TO BE PERFORMED AFTER EVERY 100 HOURS OF USE

1. Remove the muffler, insert a screwdriver into the vent, and wipe away any carbon buildup. Wipe away any carbon buildup on the muffler exhaust vent and cylinder exhaust port at the same time.
2. Tighten all screws, bolts, and fittings.
3. Check to see if any oil or grease has worked its way in between the clutch lining and drum, and if it has wipe it away using oil-free, lead-free gasoline.

10. Storage

- Aged fuel is one of major causes of engine starting failure. Before storing the unit, empty the fuel tank and run the engine until it uses all the fuel left in the fuel line and the carburetor. Store the unit indoor taking necessary measures for rust prevention.

11. Troubleshooting guide

Case 1. Starting failure

CHECK		PROBABLE CAUSES		ACTION
fuel tank	→	incorrect fuel	→	drain it and with correct fuel
fuel filter	→	fuel filter is clogged	→	clean
carburetor adjustment screw	→	out of normal range	→	adjust to normal range
sparkign (no spark)	→	spark plug is fouled/wet	→	clean/dry
	→	plug gap is incorrect	→	correct (GAP: 0.6~0.7mm)
spark plug	→	disconnected	→	retighten

Case 2. Engine starts but does not keep running/Hard re-starting.

CHECK		PROBABLE CAUSES		ACTION
fuel tank	→	incorrect fuel or staled fuel	→	drain it and with correct fuel
carburetor adjustment screw	→	out of normal range	→	adjust to normal range
muffler,cylinder (exhaust port)	→	carbon is built-up	→	wipe away
air cleaner	→	clogged with dust	→	wash
cylinder fin, fan cover	→	clogged with dust	→	clean

When your unit seems to need further service, please consult with our RedMax service shop in your area.

12. Parts list

SWEEPER

RMSZ2500

NOTE :

1. Use KOMATSU ZENOAH genuine parts as specified in the parts list for repair and/or replacement.
2. KOMATSU ZENOAH does not warrant the machines, which have been damaged by the use of any parts other than those specified by the company.
3. When placing parts orders for repair and/or replacement, check if the model name and the serial number are applicable to those specified in the parts list, then use parts number described in the parts list.
4. The contents described in the parts list may change due to improvement.
5. The parts for the machine shall be supplied seven (7) years after the machine is discontinued. [It is possible that some specific parts may be subject to change of their delivery term and list price within the limit of ten (7) years after the machine is discontinued. It is also possible that some parts may be available even after the limit of seven (7) years.]

APPLICABLE SERIAL NUMBERS :

Mar.2000

DRIVE UNIT 900101 and up SWEEPER UNIT 000000 and up ENGINE UNIT 009766 and up

12. Parts list

Fig.1 SHAFT GROUP (S/N 900101 and up)

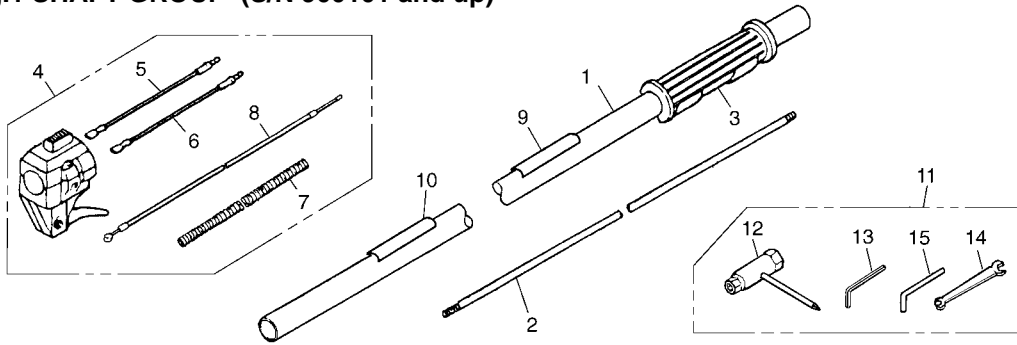


Fig.2 SWEEPER GROUP (S/N 000000 and up)

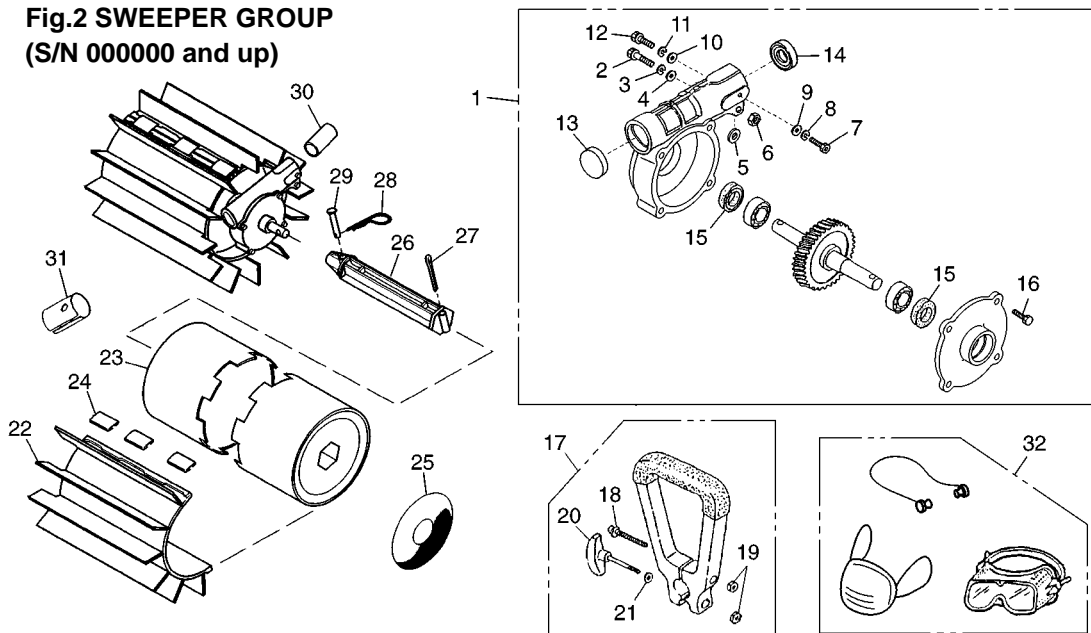


Fig.3 ACCESSORY GROUP (S/N 000000 and up)

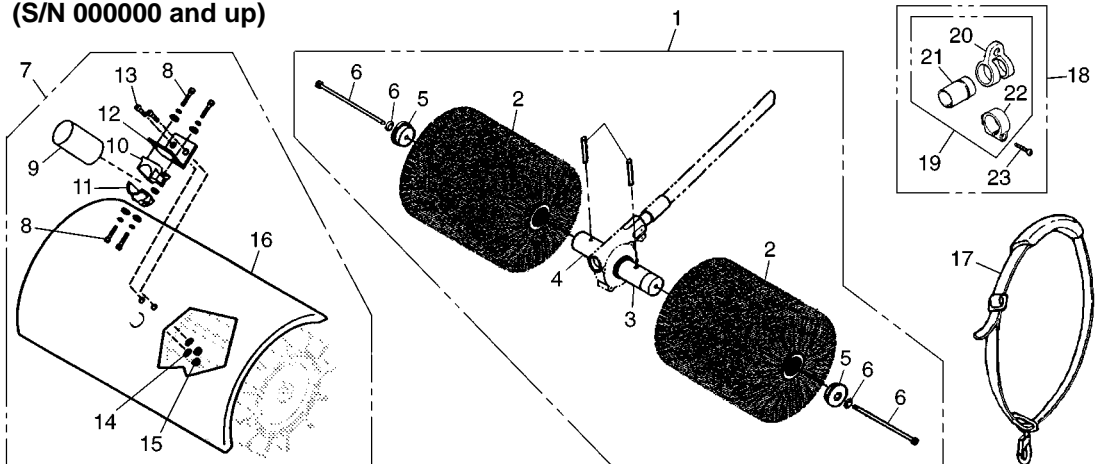


Fig.1 SHAFT GROUP (S/N 900101 and up)

Key#	Description	Part Number	Q'ty	Key#	Description	Part Number	Q'ty
1	PIPE-COMP	T3074-12110	1	11	TOOL-SET	T3002-91000	1
2	SHAFT	3074-12210	1	12	• SOCKET	T3002-91310	1
3	GRIP	3577-32141	1	13	• WRENCH	09007-00425	1
4	LEVER-COMP	T3002-12200	1	14	• SPANNER	3540-91120	1
5	• CORD (A)	T3002-12220	1	15	• BAR	3540-91110	1
6	• CORD (B)	T3002-12230	1				
7	• TUBE	T3002-12240	1				
8	• CABLE	T3002-83100	1				
9	PLATE-NAME	RMS9-99001	1				
10	PLATE	6425-12552	1				

Fig.2 SWEEPER GROUP (S/N 000000 and up)

Key#	Description	Part Number	Q'ty	Key#	Description	Part Number	Q'ty
1	Gear Case	99909-33031	1	19	• Nut	02180-10605	2
2	• Bolt M6x30	01252-30630	1	20	• Knob	72030-14120	1
3	• Spring Washer M6	01601-20619	1	21	• Washer	72030-14130	2
4	• Washer M6, t1.6	50509	1	22	Belt	99909-33005	2
5	• Washer M6, t1.6	50509	1	23	Drum	99909-33004	4
6	• Nut M6	01580-10605	1	24	Belt Clip	99909-33007	12
7	• Bolt M5x12	01252-30512	1	25	Decal	61739	2
8	• Spring Washer M5	01601-20513	1	26	Drum Axle	99909-33116	2
9	• Washer M5	01641-2058	1	27	Cotter Pin	99909-33020	2
10	• Washer M5	01641-2058	1	28	Hitch Pin	99909-33008	2
11	• Spring Washer M5	01601-20513	1	29	Clevis Pin	99909-33118	2
12	• Bolt M5x8	80008	1	30	Tube Protector	99909-33034	1
13	• Plug, Housing	50502	1	31	Spacer	72959-13330	1
14	• Oil Seal	50514	1	32	Safety Kit	99909-6771	1
15	• Oil Seal	50515	2		Ear Plugs, Dust Musk& Eye Protection		
16	• Bolt #10-25 5/8	50508	4				
17	Handle Ass'y	72951-14100	1				
18	• Scraw	72030-14141	1				

Fig.3 ACCESSORY GROUP (S/N 000000 and up)

Key#	Description	Part Number	Q'ty	Key#	Description	Part Number	Q'ty
1	Brush Sweeping Att. Including Safety Kit (Fig.2 Key#32)	99909-11001	1	12	• Shield bracket	99909-22023	1
2	• Nylon Brush Ass'y Contents a pair of burush	99909-11004	1	13	• Bolt	99909-22024	2
3	• Gear Shaft Adapter, LH	99909-11112	1	14	• Washer	99909-22025	2
4	• Gear Shaft Adapter, RH	99909-11113	1	15	• Nut	99909-22026	2
5	• End Cap	99909-11114	2	16	• Debris shield	99909-33022	1
6	• Hardware Kit Roll Pinx2, Flat Washerx2 Bolt RH (Black)x1 and Bolt LH (Silver)x1	99909-311	1	17	Strap Ass'y	T3002-17200	1
7	Debris Shield	99909-33021	1	18	HANGER-ASSY	6420-17300	1
8	• Boltspw	11022-05250	4	19	• HANGER-COMP	6420-17400	1
9	• Spacer	22036-14130	1	20	•• HANGER	9366-17110	1
10	• Handle bracket	72051-14110	1	21	•• CLAMP	9366-17120	1
11	• Lowercap	72051-14120	1	22	•• SLEEVE	6420-17410	1
				23	• SCREW	0263-90525	1

12. Parts list

Fig.4 ENGINE UNIT
RMSZ2500 (S/N 009766 and up)

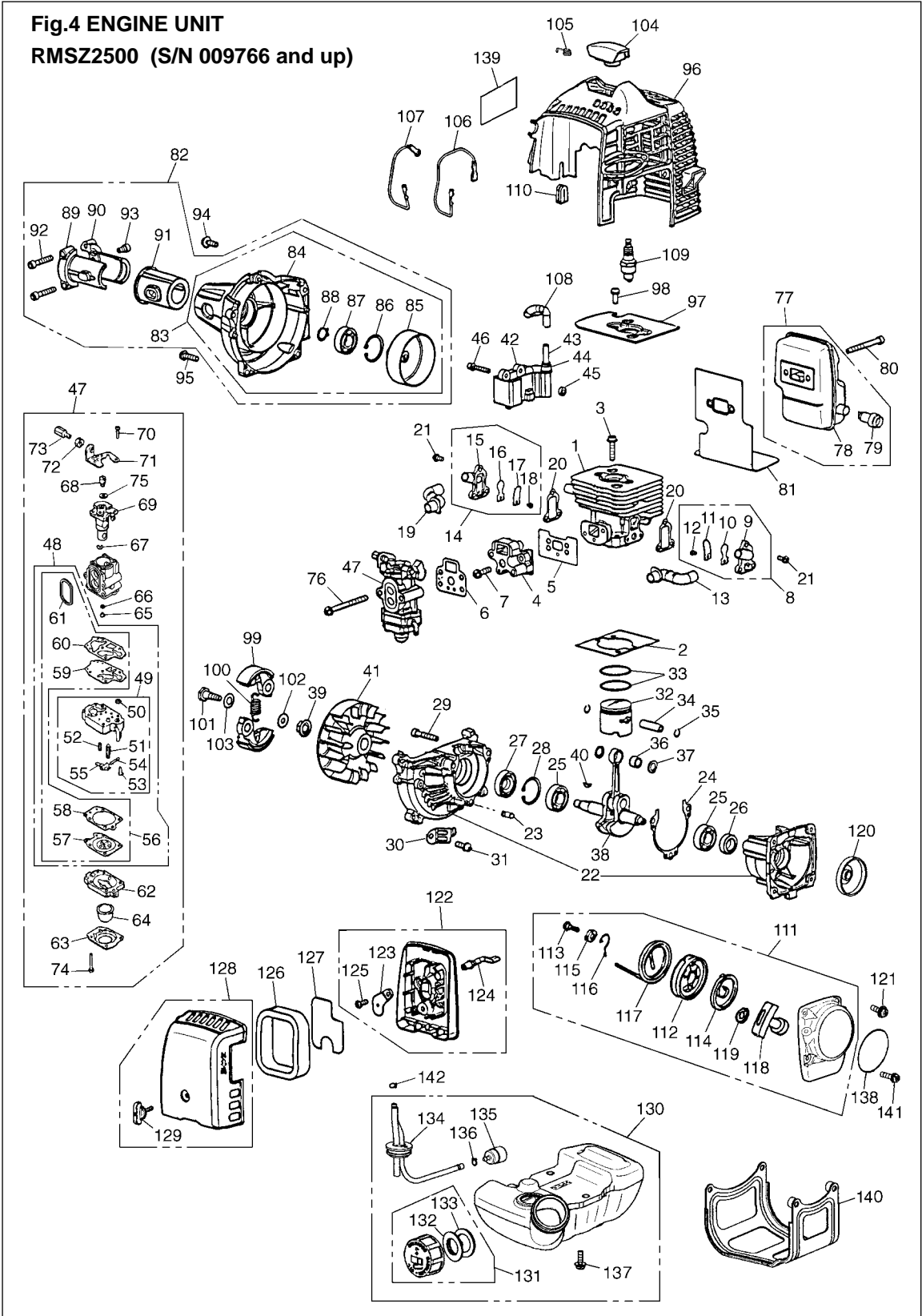


Fig.4 ENGINE UNIT RMSZ2500 (S/N 009766 and up)

Key#	Description	Part Number	Q'ty	Key#	Description	Part Number	Q'ty
1	CYLINDER	4810-12111	1	72	• NUT, adjuster	1751-81180	1
2	GASKET, base	4810-12210	1	73	• SCREW, adjuster	1918-81170	1
3	BOLT	1850-12130	2	74	• SCREW	1850-81530	4
4	INSULATOR	4810-13161	1	75	• WASHER	5500-81160	1
5	GASKET, insulator	4810-13120	1	76	SCREW	0263-90560	2
6	GASKET, carburetor	4810-13130	1	77	MUFFLER ASS'Y	4810-15100	1
7	SCREW	0263-90520	1	78	• MUFFLER	4810-15111	1
8	REEDVALVE (S)-A	4810-16100	1	79	• ARRESTER	4810-15140	1
9	• VALVECASE (S)	4810-16110	1	80	BOLT	01252-30550	2
10	• REEDVALVE	4810-16120	1	81	GASKET	4810-15410	1
11	• STOPPER	4810-16130	1	82	COVER-A	4810-31000	1
12	• SCREW	4810-16170	1	83	• COVER-C	4810-31100	1
13	PIRE AIR (S)	4810-16150	1	84	•• COVER, fan	4810-31110	1
14	REEDVALVE (F)-A	4810-16200	1	85	•• DRUM	4810-31120	1
15	• VALVECASE (F)	4810-16210	1	86	•• SNAPRING	04065-02812	1
16	• REEDVALVE	4810-16120	1	87	•• BEARING	06004-06001	1
17	• STOPPER	4810-16130	1	88	•• SNAP RING	04064-01210	1
18	• SCREW	4810-16170	1	89	• BRACKET (A)	6470-31211	1
19	PIPE AIR (F)	4810-16160	1	90	• BRACKET (B)	6470-31221	1
20	GASKET, valve	4810-16140	2	91	• CUSHION	6470-31230	1
21	SCREW	4810-16180	6	92	• BOLT	01252-30530	2
22	CRANKCASE-C	4810-21100	1	93	• BOLT	01252-30514	1
23	• PIN	2629-21130	3	94	SCREW	5500-85510	1
24	GASKET	4810-21140	1	95	SCREW	0263-90520	4
25	BEARING	06030-06001	2	96	COVER, engine	4810-32111	1
26	SEAL	4810-21210	1	97	PLATE	4810-12310	1
27	SEAL	1850-21220	1	98	SCREW	0263-90510	2
28	SNAP RING	04065-02812	1	99	SHOE	1140-51111	2
29	BOLT	01252-30530	3	100	SPRING	1600-51223	1
30	GUARD	4810-22110	1	101	SCREW	1140-51250	2
31	SCREW	0263-90510	1	102	WASHER	1140-51230	2
32	PISTON	4810-41110	1	103	WASHER	1970-51241	2
33	RING	5910-41210	2	104	CAP	4810-72110	1
34	PIN	1600-41310	1	105	SPRING	1900-72120	1
35	RING	1260-41320	2	106	CORD	4810-71240	1
36	BEARING	1140-41330	1	107	CORD, carth	4810-71250	1
37	WASHER	1101-41340	2	108	TUBE	2850-71320	1
38	CRANKSHAFT-O	4810-42000	1	109	PLUG	4810-73110	1
39	NUT	1650-43230	1	110	GROMMET	4810-72120	1
40	KEY	1000-43240	1	111	RECOIL ASS'Y	4810-75100	1
41	ROTOR	5501-71110	1	112	• REEL	4500-75120	1
42	COIL-A	4810-71200	1	113	• SCREW	4500-75150	1
43	• CORD	4810-71220	1	114	• SPRING, spiral	1850-75130	1
44	• CAP	2616-71320	1	115	• COLLAR	4500-75180	1
45	SPACER	1260-71261	2	116	• ARM	4500-75190	1
46	BOLT	4500-72150	2	117	• ROPE	4810-75160	1
47	CARBURETOR ASS'Y	4810-81001	1	118	• KNOB	3330-75421	1
48	• REBUILD KIT	4810-06030	1	119	• PLATE, stopper	4810-75170	1
49	•• BODY ASS'Y	4810-81450	1	120	PULLEY	4500-75210	1
50	••• SCREEN	_____	—	121	SCREW	5500-85510	2
51	••• VALVE	_____	—	122	BODY ASS'Y	4810-82100	1
52	••• SPRING	_____	—	123	• PLATE, choke	4810-82130	1
53	••• SCREW	_____	—	124	• LEVER, choke	5500-82140	1
54	••• PIN	_____	—	125	• SCREW	2630-33610	1
55	••• LEVER	_____	—	126	ELEMENT	4810-82170	1
56	•• GASKET KIT	4810-06020	1	127	SCREEN	4810-82180	1
57	••• DIAPHRAGM	_____	—	128	COVER ASS'Y	4810-82200	1
58	••• GASKET, diaphragm	_____	—	129	• KNOB	5500-82221	1
59	••• DIAPHRAGM, pump	_____	—	130	TANK ASS'Y	4810-87000	1
60	••• GASKET, pump	_____	—	131	• CAP ASS'Y	4500-85200	1
61	••• RING	4810-81130	1	132	•• HOLDER-A	4500-85300	1
62	• BODY, purge	1850-81490	1	133	•• PACKING	4500-85220	1
63	• COVER, pump	1850-81520	1	134	• PIPE COMP.	4810-85300	1
64	• PUMP, priming	1751-81510	1	135	• FLTER ASS'Y	5500-85400	1
65	• JET	4810-81250	1	136	• CLIP	1260-85460	1
66	• O-RING	1751-81240	1	137	SCREW	5500-85510	3
67	• RING	1751-81130	1	138	LABEL, recoil	_____	—
68	• SWIVEL	1881-81140	1	139	LABEL, cover	4810-31131	1
69	• VALVE ASS'Y	_____	—	140	GUARD	4810-31911	1
70	• SCREW	1752-81110	2	141	SCREW	0263-90525	2
71	• BRACKET	5500-81120	1	142	CLIP	1950-86120	1

CALIFORNIA EMISSION CONTROL WARRANTY STATEMENT
YOUR WARRANTY RIGHTS AND OBLIGATIONS

The California Air Resources Board and KOMATSU ZENOAH are pleased to explain the **emission control system warranty** on your **1995 and later** small off-road engine. In California, new small off-road engines must be designed, built and equipped to meet the state's stringent anti-smog standards. KOMATSU ZENOAH must warrant the emission control system on your small off-road engine for the periods of time listed below provided there has been no abuse, neglect or improper maintenance of your small off-road engine.

Your emission control system may include parts such as the carburetor and the ignition system.

Where a warrantable condition exists, KOMATSU ZENOAH will repair your small off-road engine at no cost to you including diagnosis, parts and labor.

Manufacturer's warranty coverage:

The 1995 and later small off-road engines are warranted for **two years**. If any emission-related part on your engine is defective, the part will be repaired or replaced by KOMATSU ZENOAH.

Owner's warranty responsibilities:

– As the small off-road engine owner, you are responsible for the performance of the **required maintenance listed in your owner's manual**. KOMATSU ZENOAH recommends that you retain all receipts covering maintenance on your small off-road engine, but KOMATSU ZENOAH can not deny warranty solely for the lack of receipts or for your failure to ensure the performance of all scheduled maintenance.

– As the small off-road engine owner, you should be aware, however, that KOMATSU ZENOAH may deny you warranty coverage if your small off-road engine or a part has failed due to abuse, neglect, improper maintenance or unapproved modification.

– You are responsible for presenting your small off-road engine to a KOMATSU ZENOAH distribution center as soon as a problem exists. The warranty repairs should be completed in a reasonable amount of time, not to exceed **30 days**.

If you have any questions regarding your warranty rights and responsibilities, you should contact KOMATSU ZENOAH AMERICA INC. at (770)-381-5147 or you can write to

KOMATSU ZENOAH AMERICA INC.
4344 Shackleford Road Suite 500
Norcross, Georgia 30093

**RedMax SWEEPER
MODEL RMSZ2500
2-YEAR LIMITED WARRANTY**

EMISSION-RELATED PARTS, FOR TWO (2) YEARS FROM THE DATE OF ORIGINAL DELIVERY OF THE MODEL RMSZ2500 UNIT, KOMATSU ZENOAH AMERICA INC. (THE COMPANY), THROUGH ANY RedMax DEALER, WILL REPAIR OR REPLACE, FREE OF CHARGE, FOR THE ORIGINAL AND EACH SUBSEQUENT PURCHASER, ANY PART OR PARTS FOUND TO BE DEFECTIVE IN MATERIAL AND/OR WORKMANSHIP. EMISSION-RELATED PARTS ARE:

**THE CARBURETOR ASSY, COIL ASSY, ROTOR, SPARKPLUG,
AIR FILTER, FUEL FILTER, INTAKE MANIFOLD, AND THE GASKETS**

ALL OTHER PARTS EXCEPT ABOVE PARTS, FOR TWO (2) YEARS OF HOME USE [ONE (1) YEAR FOR ANY OTHER USE] FROM THE DATE OF ORIGINAL ANY DELIVERY OF THE MODEL RMSZ2500 UNIT, THE COMPANY, THROUGH ANY RedMax DEALER, WILL REPAIR OR REPLACE, FREE OF CHARGE, FOR THE ORIGINAL PURCHASER, ANY PART OF PARTS FOUND TO BE DEFECTIVE IN MATERIAL AND/OR WORKMANSHIP. **THIS IS THE EXCLUSIVE REMEDY.**

THE PURCHASER SHALL BEAR COSTS OF TRANSPORTING THE UNIT TO AND FROM THE RedMax DEALER.

THE PURCHASER SHALL NOT BE CHARGED FOR DIAGNOSTIC LABOR WHICH LEADS TO THE DETERMINATION THAT A WARRANTED PART IS DEFECTIVE, IF THE DIAGNOSTIC WORK IS PERFORMED AT THE RedMax DEALER.

THE PURCHASER OR OWNER IS RESPONSIBLE FOR THE PERFORMANCE OF THE REQUIRED MAINTENANCE AS DEFINED BY THE MANUFACTURER IN THE OWNER/OPERATOR MANUAL.

ANY WARRANTED PART WHICH IS NOT SCHEDULED FOR REPLACEMENT AS REQUIRED MAINTENANCE, OR WHICH IS SCHEDULED ONLY FOR REGULAR INSPECTION TO THE EFFECT OF "REPAIR OR REPLACE AS NECESSARY" SHALL BE WARRANTED FOR THE WARRANTY PERIOD. ANY WARRANTED PART WHICH IS SCHEDULED FOR REPLACEMENT AS REQUIRED MAINTENANCE SHALL BE WARRANTED FOR THE PERIOD OF TIME UP TO THE FIRST SCHEDULED REPLACEMENT POINT FOR THE PART.

ANY REPLACEMENT PART THAT IS EQUIVALENT IN PERFORMANCE AND DURABILITY MAY BE USED IN NON-WARRANTY MAINTENANCE OR REPAIRS, AND SHALL NOT REDUCE THE WARRANTY OBLIGATION OF THE COMPANY.

THE COMPANY IS LIABLE FOR DAMAGES TO OTHER ENGINE COMPONENTS CAUSED BY THE FAILURE OF A WARRANTED PARTS STILL UNDER WARRANTY.

THE WARRANTY DOES NOT APPLY TO THOSE UNITS WHICH HAVE BEEN DAMAGED BY NEGLIGENCE OF INSTRUCTION LISTED IN THE OWNER/OPERATOR MANUAL FOR PROPER USE AND MAINTENANCE OF THE UNITS, ACCIDENT MISHANDLING, ALTERATION, ABUSE, IMPROPER LUBRICATION, USE OF ANY PARTS OR ACCESSORIES OTHER THAN THOSE SPECIFIED BY THE COMPANY, OR OTHER CAUSES BEYOND THE COMPANY'S CONTROL.

THIS WARRANTY DOES NOT COVER THOSE PARTS REPLACED BY NORMAL WEAR OR HARMLESS CHANGES IN THEIR APPEARANCE.

THERE ARE NO OTHER EXPRESS WARRANTIES.

IMPLIED WARRANTIES INCLUDING THOSE OF MERCHANTABILITY AND FITNESS FOR A PARTICULAR PURPOSE **ARE LIMITED TO TWO (2) YEARS OF HOME USE [ONE (1) YEAR FOR ANY OTHER USE] FROM THE ORIGINAL DELIVERY DATE.**

LIABILITIES FOR INCIDENTAL OR CONSEQUENTIAL DAMAGE UNDER ANY AND ALL WARRANTIES ARE EXCLUDED.

SOME STATES DO NOT ALLOW LIMITATION ON HOW LONG AN IMPLIED WARRANTY LASTS OR EXCLUSION OR LIMITATION OF INCIDENTAL OR CONSEQUENTIAL DAMAGES, SO THE ABOVE LIMITATION OR EXCLUSION MAY NOT APPLY TO YOU.

THIS WARRANTY GIVES YOU SPECIFIC LEGAL RIGHTS, AND YOU MAY ALSO HAVE OTHER RIGHTS WHICH VARY FROM STATE TO STATE.

IF YOU NEED TO OBTAIN INFORMATION ABOUT THE NEAREST SERVICE CENTER, PLEASE CALL KOMATSU ZENOAH AMERICA INC. AT (770)-381-5147.

IMPORTANT: YOU WILL RECEIVE A WARRANTY REGISTRATION CARD AT TIME OF PURCHASE. PLEASE FILL OUT THE CARD AND SEND IT TO RedMax / KOMATSU ZENOAH AMERICA WITHIN SEVEN (7) DAYS. BE SURE TO KEEP A COPY FOR YOUR RECORDS.



KOMATSU ZENOAH AMERICA INC.
4344 Shackelford Road Suite 500
Norcross, Georgia 30093

RedMax SWEEPER
Modèle RMSZ2500
Garantie limitée à 2 ans

Pièces en rapport avec les émissions de gaz d'échappement : KOMATSU ZENOAH AMERICA INC., par l'intermédiaire de n'importe quel revendeur RedMax, réparera gratuitement ou remplacera gratuitement pour l'acheteur initial et chaque acheteur successif toute(s) pièce(s) se révélant de constitution et/ou de montage défectueux pendant deux (2) ans à compter de la date initiale de livraison d'une unité du modèle RMSZ2500. Les pièces en rapport avec les émissions de gaz d'échappement sont:

**l'assemblage carburateur, l'assemblage bobine, le rotor, la bougie,
le filtre à air, le filtre à carburant, la tubulure d'admission et les joints**

Toutes autres pièces exceptées celles mentionnées ci-dessus : La société, par l'intermédiaire de n'importe quel revendeur RedMax, réparera gratuitement ou remplacera gratuitement pour l'acheteur initial toute(s) pièce (s) se révélant de constitution et/ou de montage défectueux pendant deux (2) ans en cas d'utilisation privée [un (1) an pour toute autre utilisation] à compter de la date de livraison initiale d'une unité du modèle RMSZ2500. **Telles sont les limites de la garantie.**

Le coût du transport de l'unité jusqu'au revendeur RedMax et depuis celui-ci sera à la charge de l'acheteur.

L'acheteur ne supportera pas le coût de main d'œuvre du diagnostic qui amène à la conclusion qu'une pièce garantie est défectueuse, si ce diagnostic est effectué chez le revendeur RedMax.

L'acheteur ou propriétaire a pour responsabilité d'effectuer l'entretien obligatoire tel que défini par le fabricant dans le manuel du propriétaire/de l'utilisateur.

Toute pièce garantie dont le remplacement n'est pas prévu dans le cadre de l'entretien obligatoire, ou pour laquelle est seulement prévue une inspection périodique pour "remplacement ou réparation si nécessaire" sera garantie pour la période de garantie. Toute pièce garantie arrivée à l'échéance de son premier remplacement prévu sera garantie jusqu'à celui-ci.

Toute pièce de rechange équivalente en performance ou en durabilité peut être utilisée pour l'entretien hors-garantie ou les réparations hors-garantie, et ce sans réduire l'obligation de garantie incombant à la société.

La société sera tenue responsable des dommages aux autres composants du moteur causés par la défaillance de pièce(s) garantie(s) en période de garantie.

La garantie ne s'applique pas aux unités endommagées par suite de: négligence dans la mise en oeuvre des instructions spécifiées dans le manuel du propriétaire/de l'utilisateur en vue d'une utilisation et d'un entretien correct, fausse manœuvre accidentelle, modification, utilisation abusive, lubrification incorrecte, utilisation de pièces ou d'accessoires autres que ceux spécifiés par la société, ou autres causes hors du contrôle de la société.

Cette garantie ne couvre pas les pièces remplacées en raison de leur usure normale ou de changements d'apparence sans effets.

Il n'existe aucune autre garantie explicite.

Les garanties implicites, celles de négociabilité du produit et de son adaptabilité à un usage défini incluses, **sont limitées** à deux (2) ans pour un usage privé [un (1) an pour toute autre utilisation] à compter de la date initiale de livraison.

Les responsabilités pour les dommages conséquents ou incidents sont exclues de toutes les garanties.

Certaines provinces n'autorisant pas les limitations à la durée des garanties implicites, ou les exclusions ou limitations relatives aux dommages incidents ou conséquents, la limitation indiquée ci-dessus peut ne pas vous être applicable.

Cette garantie vous donne des droits juridiques spécifiques, et vous pouvez également jouir d'autres droits variant d'une province à l'autre.

Si vous désirez obtenir des informations sur le centre de service le plus proche, veuillez appeler KOMATSU ZENOAH AMERICA INC. au (770)-381-5147

Note importante: vous recevrez une carte d'enregistrement de garantie au moment de l'achat. Veuillez la remplir et l'adresser à RedMax / KOMATSU ZENOAH AMERICA sous sept (7) jours en prenant soin de conserver une copie pour vous.



RedMax[®]

KOMATSU ZENOAH AMERICA INC.
4344 Shackelford Road Suite 500
Norcross, Georgia 30093

Free Manuals Download Website

<http://myh66.com>

<http://usermanuals.us>

<http://www.somanuals.com>

<http://www.4manuals.cc>

<http://www.manual-lib.com>

<http://www.404manual.com>

<http://www.luxmanual.com>

<http://aubethermostatmanual.com>

Golf course search by state

<http://golfingnear.com>

Email search by domain

<http://emailbydomain.com>

Auto manuals search

<http://auto.somanuals.com>

TV manuals search

<http://tv.somanuals.com>