

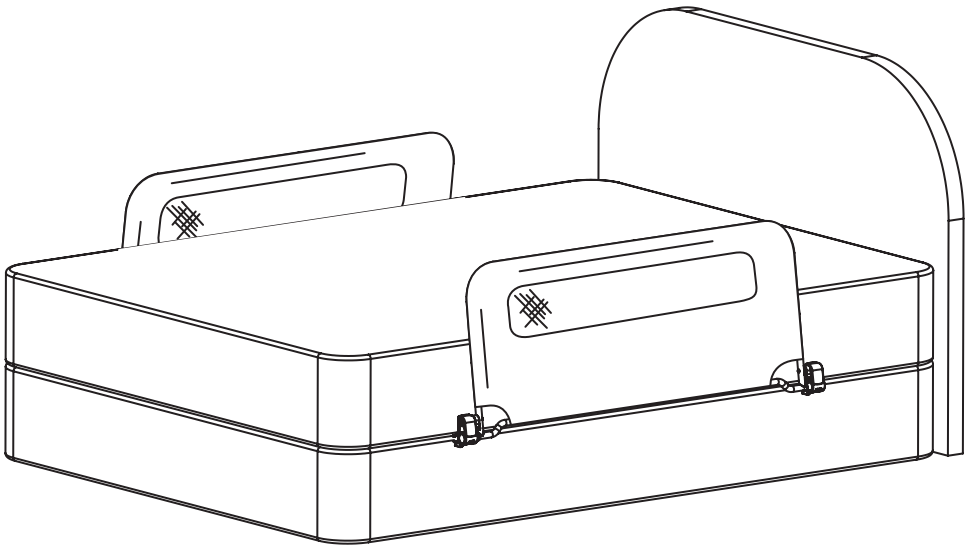


**FOR THE MOST IMPORTANT PEOPLE
IN THE WORLD**

DOUBLE SIDED SWING DOWN BED RAIL

Model: 2250

09/12/2013_EV



www.regalo-baby.com

Regalo International, LLC.

3200 Corporate Center Drive, Suite 100

Burnsville, MN 55306-9803, USA

Toll Free: 866-272-5274

Made in China

WARNING:

IMPORTANT ! KEEP FOR FUTURE REFERENCE !

- Failure to follow these instructions for the assembly and use of your bed rail could result in serious injury or death.
- This bed rail is intended for use with children 2 years to 5 years of age.

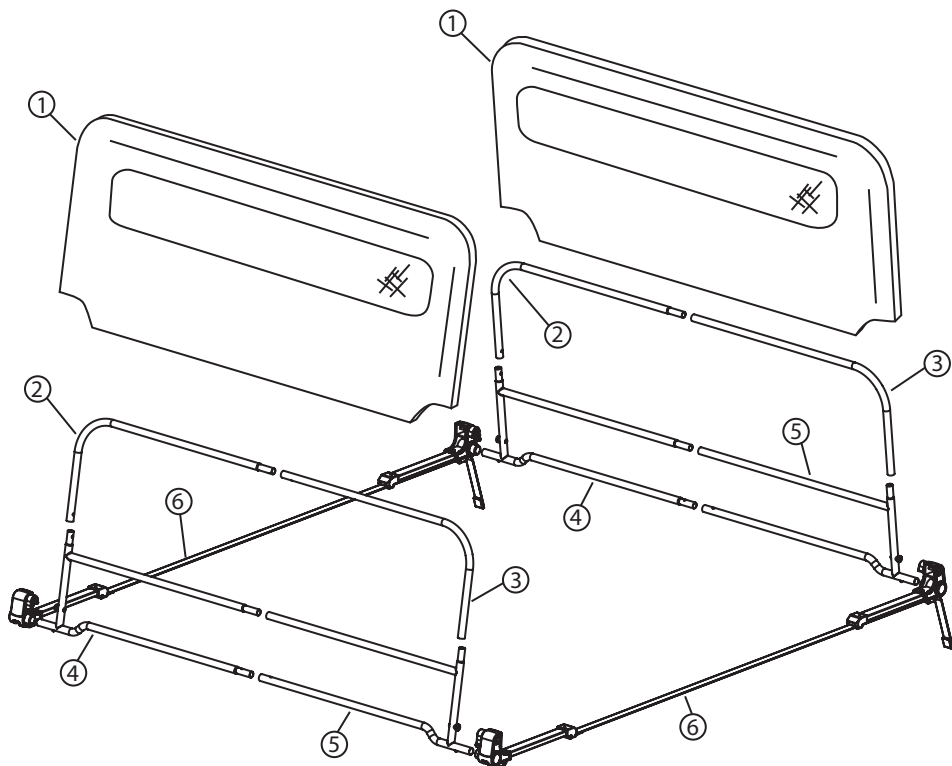
WARNING:

SUFFOCATION AND STRANGULATION HAZARD

- Gaps in and around bed rails have entrapped young children and killed infants.
- NEVER use with children younger than 2 years old. Use ONLY with older children who can get in and out of an adult bed without help. NEVER use in place of crib.
- NEVER use unless bed rail is tight against mattress, without gaps, and at least 9 in. from headboard and footboard. Do not fill gaps with pillows, blankets, or other items that can suffocate children.
- NEVER use on toddler bed, bunk bed, water bed, or bed with inflatable mattress.
- Use ONLY on adult bed.
- Use Only on a bed ranging in size from twin size to queen size.
- Discontinue use if damaged, broken or if parts are missing.

PART LIST :

- 1. Bed Rail Mesh Wall (X2)
- 2. Left Upper Support Bar (X2)
- 3. Right Upper Support Bar (X2)
- 4. Left Bottom Support Bar (X2)
- 5. Right Bottom Support Bar (X2)
- 6. Corner Hinge Assembly (X2)

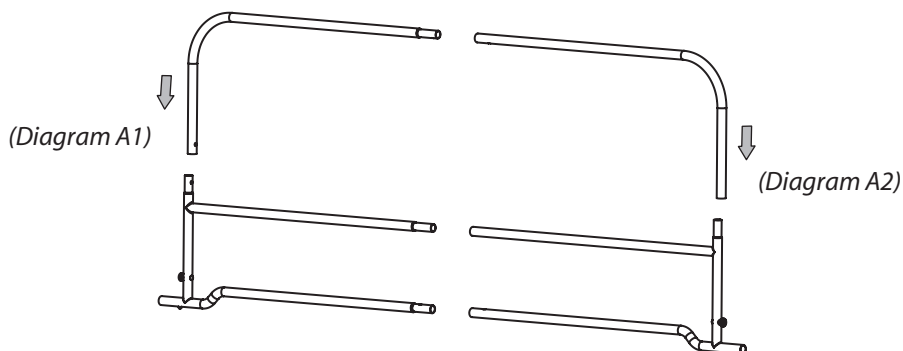


BED RAIL ASSEMBLY AND SET UP

Step 1 : Remove bed rails from packaging and set all parts out in front of you.

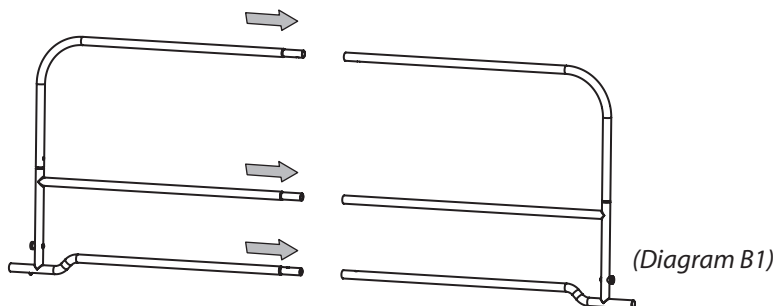
Step 2 : Assemble one side of the double bed rail completely before assembling the second side. Join a Left Upper Support Bar to a Left Lower Support Bar. Make sure the spring pin fits securely into its opposing hole so that the two parts can not pull apart. *(Diagram A1)*

Step 3 : Repeat Step 2 directions to assemble the right side. *(Diagram A2)*

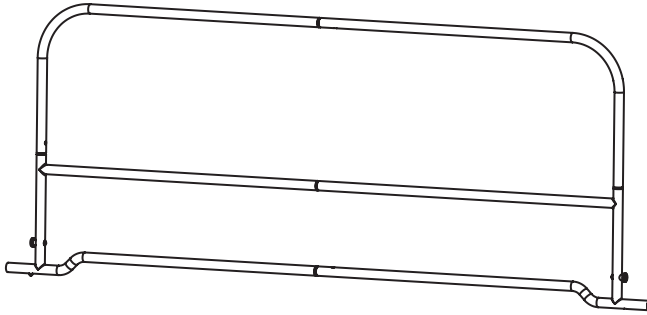


Step 4 : With the left and right sides assembled, join them together. *(Diagram B1)*

NOTE : Make sure that the spring pins are secured into the opposing holes so that the assembly cannot pull apart.



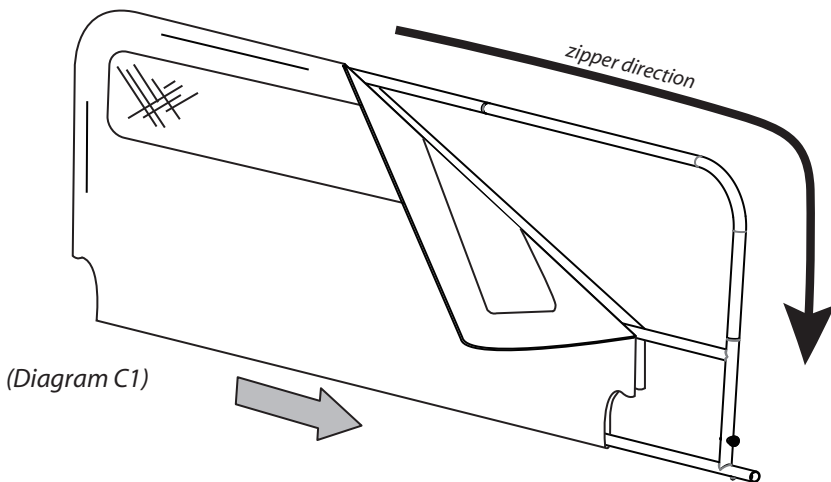
Frame assembly should look like the image below. (Diagram B2)



(Diagram B2)

Step 5 : To install the mesh wall on the frame assembly, slide the mesh wall over the frame until it reaches the other end and zip it shut to complete the installation. (Diagram C1)

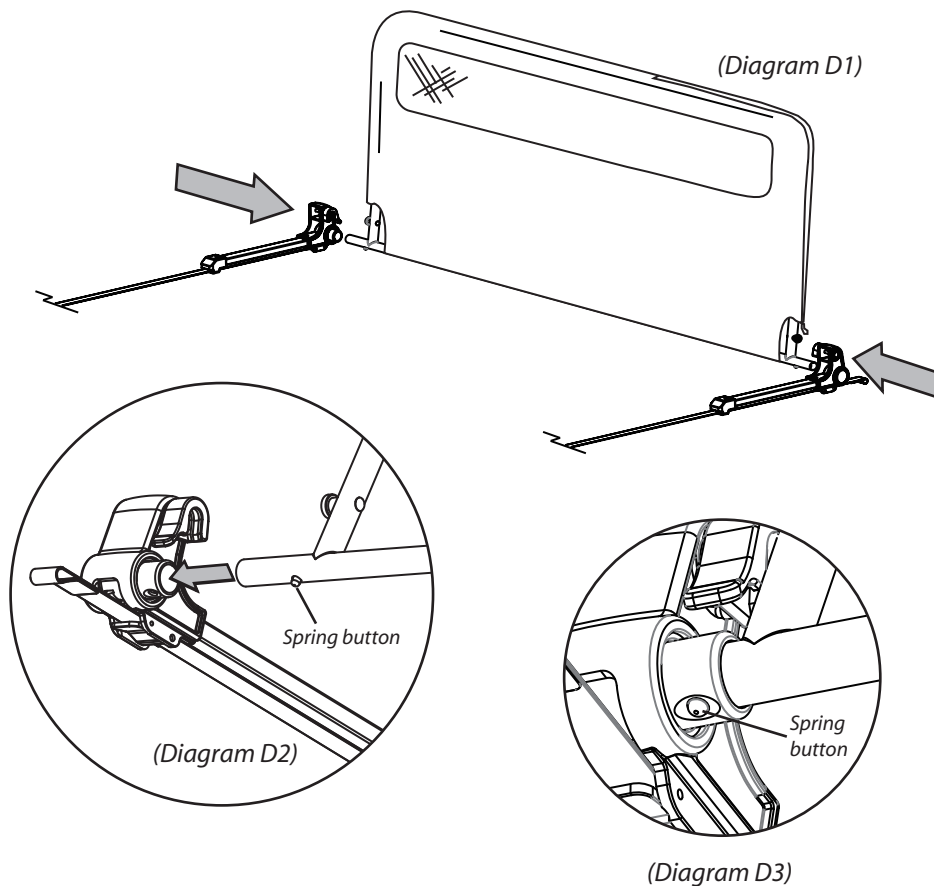
NOTE : If the zipper does not close securely, make the necessary adjustments to ensure proper closure. DO NOT use the bed rail without securely zipping the mesh wall properly!



(Diagram C1)

Step 6: Repeat steps 1-5 to assemble the second side of the double bed rail.

Step 7: With the walls of the bed rail completely assembled, you will now connect them to the corner hinges and anchor straps. (Diagram D1)



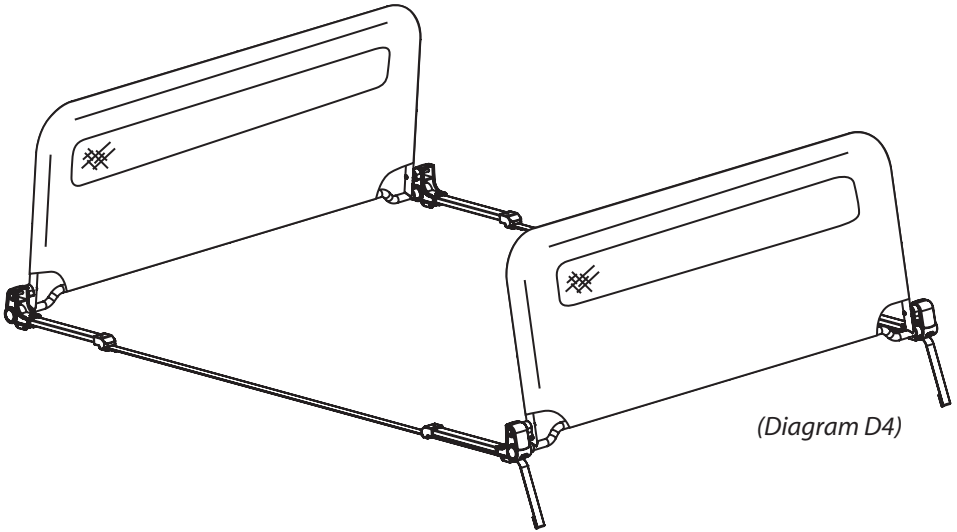
Step 8: Insert one side of the wall frame into one of the corner hinges. Press in the metal spring button to fully insert the tube into the hole in the plastic sleeve. (Diagram D2)

The spring button should line up with the access hole in the plastic sleeve on the hinge. The spring button will rebound and lock the tube in place. (Diagram D3)

Repeat Step 7 with the other 3 corner hinges to complete the assembly.

Note: Each set of corner hinges is permanently connected by an anchoring strap. On one side of each set, the strap is adjustable. The adjustable sides should be mounted to the same side wall assembly.

The finished assembly should look like the image below
(Diagram D4)



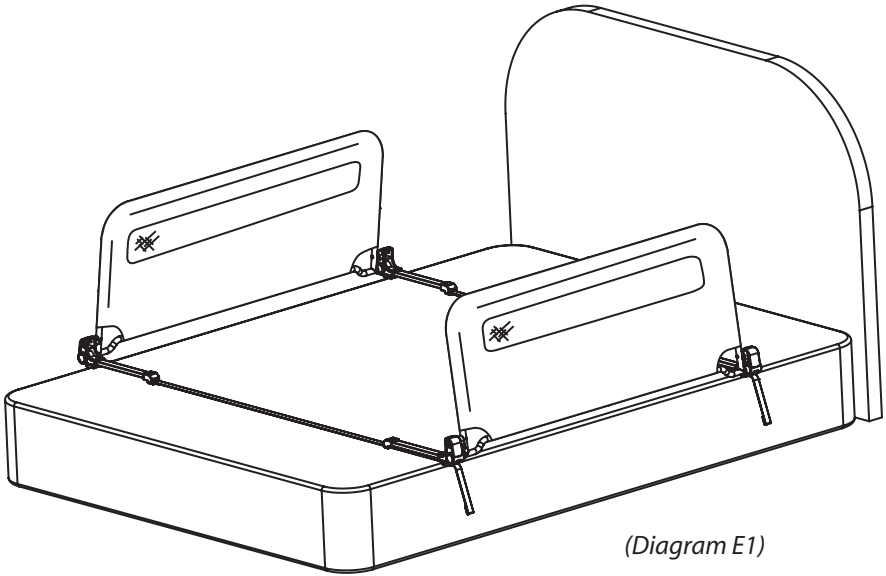
MOUNTING THE BED RAILS TO THE BED

Note: The next steps may require the assistance of an additional person

Step 1: Remove the mattress from the bed you will be mounting the double sided bed rail to. Then, place the assembly atop the box spring or mattress support structure so that it is positioned in the orientation of its final placement.

(Diagram E1)

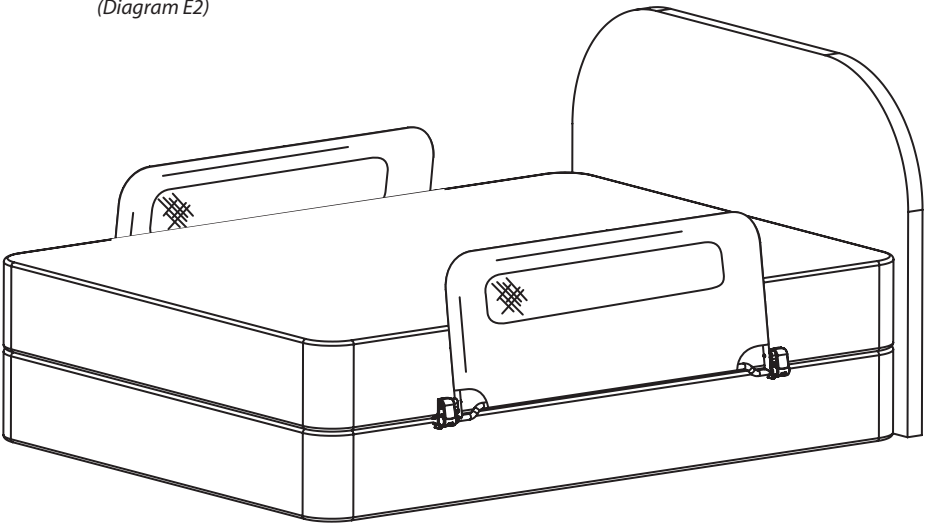
In order to adjust the bed rail to fit your specific bed properly, you may need to release the strap locking buckles located on the under side of the plastic hinges. The anchoring straps should not be twisted. If twisted, the anchoring straps may not tighten properly.



(Diagram E1)

Step 2: Once the bed rail is placed properly, place the mattress back atop of the box spring or mattress support sandwiching the flat metal bars of the corner hinges and the anchoring straps between the box spring and the mattress.

(Diagram E2)

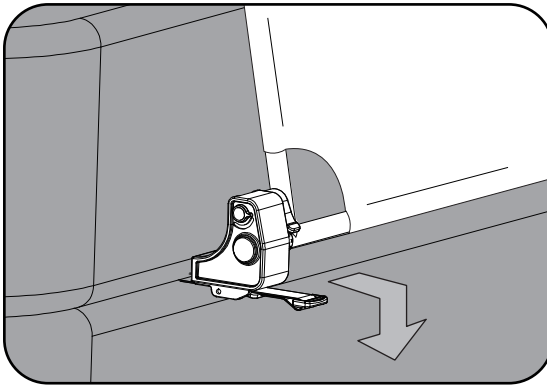


(Diagram E2)

WARNING : In order for the bed rail mesh wall to be firmly held against the side of the mattress you **MUST** properly tighten the anchoring straps. Please follow the directions below very carefully.

Step 3 : Tighten the straps to bring the bed rail into it's proper position. To tighten the straps, first release the strap locks on the under side of the Corner Hinges. Pull the straps towards you until all the excess slack has been pulled out from under the mattress and both sides of the bed rail are firmly pressed against the sides of the mattress. (Diagram E3)

CAUTION: When using this bed rail on a foam mattress with little or no internal structure, make sure not to over tighten the mounting straps. If over-tightened, the mattress will likely fold or buckle in the middle and this will cause the bed rail to not provide your child with the highest level of safety. Make slight adjustments to find the best level of tightness on your mattress.



(Diagram E3)

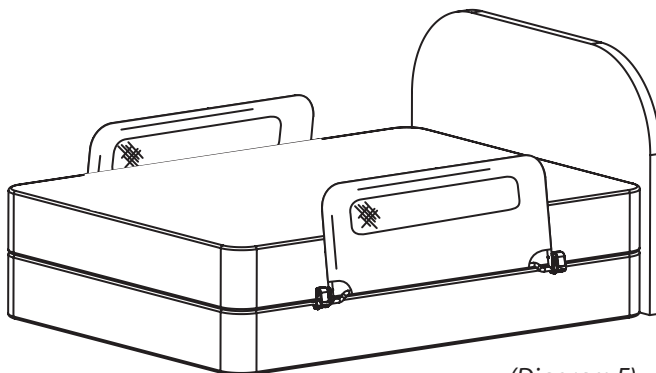
Step 4 : If the strap does not pull through smoothly, the strap may be twisted under the mattress. Correct this before continuing with the installation.

Once you have taken the slack out of the straps, give one final pull on the strap end, hold it, and lock the locking tab on the locking buckle by pushing up on the thumb tab. Use the same procedure for each side to properly secure the bed rail.

IMPORTANT : After locking both buckles, check to make sure that the mesh walls of the crib rail are firmly up against the side of the mattress. There should be **NO GAPS**. If the mesh walls are not firmly against the side of the mattress, check to make sure the locking buckle is functioning properly and that the strap is not twisted beneath the mattress. Once this has been checked and corrected, unlock the buckle and pull on the end of the strap to tightly lock the buckle again.

NOTE : Store the excess anchoring strap material by tucking it under the mattress.

OPERATION OF SWING DOWN FEATURE

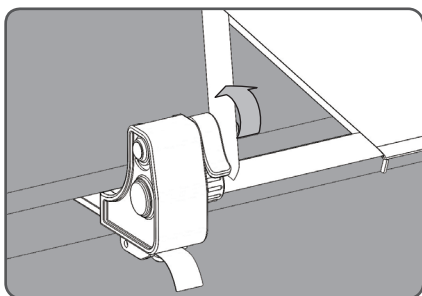


(Diagram F)

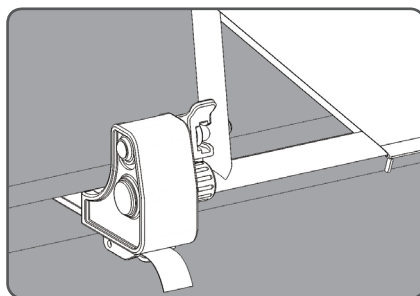
Step 1: With the bed rail side in the 'up' position, locate the locking tab on each of the hinges. (Diagram F) A close up view of the hinge is shown in (Diagram G1)

Step 2: Once the locking tabs have been located, flip the tab up to expose the open side of the lock. (Diagram G2) This will allow the upper part of the bed rail to move freely.

NOTE: Be sure to continue to hold the upper part of the bed rail so that it does not fall on its own!



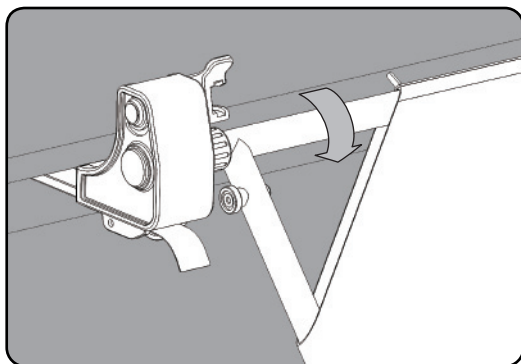
(Diagram G1)



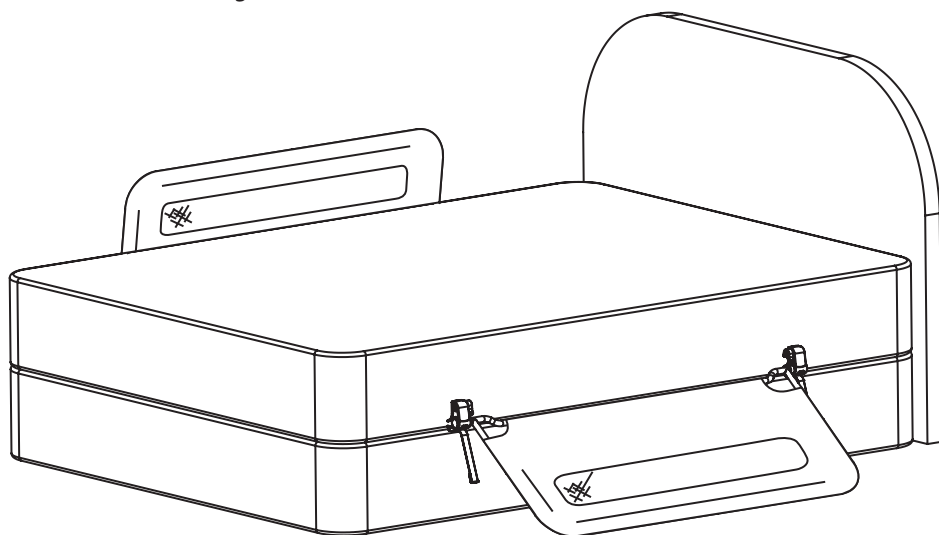
(Diagram G2)

Step 3 : With both locking tabs turned to the 'open' position, hold the upper part of the bed rail firmly and swing it down. *(Diagram H1)* The bed rail should now be in the 'down' position. *(Diagram H2)*

NOTE : To return the bed rail to the 'up' position, reverse the previous instructions. **IMPORTANT:** Make sure that the bed rail is in the 'up' position and the locking tabs are securely closed before leaving a child alone in the bed.



(Diagram H1)



(Diagram H2)

CARE AND MAINTENANCE

Periodically check the bed rail for signs of damage, wear and/or for missing components.

Do not use if any part is missing, worn or damaged.

Check the bed rail regularly to make sure all hardware and mountings are tight and secure.

Do not use abrasive cleaners or bleach when cleaning.

Proper cleaning of bed rail can be done by sponging it with warm water and mild detergent.

90 Days Limited Warranty:

If, during the first 90 days after consumer purchase of this item, under reasonable and non-commercial use and conditions of maintenance, it fails while owned by the original purchaser because of the quality of materials or workmanship of finish and assembly, Regalo International LLC will replace or repair it at Regalo's option, Proof of purchase required.



COPYRIGHT 2013 **Regalo International, LLC.**

3200 Corporate Center Drive, Suite 100

Burnsville, MN 55306-9803, USA

Toll Free: 866-272-5274

Made in China

09/12/2013_EV

Free Manuals Download Website

<http://myh66.com>

<http://usermanuals.us>

<http://www.somanuals.com>

<http://www.4manuals.cc>

<http://www.manual-lib.com>

<http://www.404manual.com>

<http://www.luxmanual.com>

<http://aubethermostatmanual.com>

Golf course search by state

<http://golfingnear.com>

Email search by domain

<http://emailbydomain.com>

Auto manuals search

<http://auto.somanuals.com>

TV manuals search

<http://tv.somanuals.com>