



# Booster Seat Instructions

## Instrucciones del Asiento con Soporte de Levantamiento

Item# 1662&1663

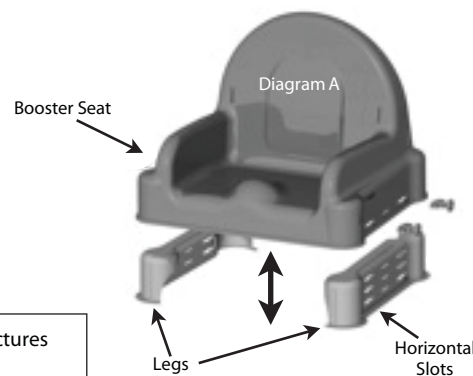
### ⚠ WARNING:

- Read all instructions and labels before using booster seat.
- PREVENT serious injury or death from falls or sliding out.
- PREVENT serious injury or death, do not use in motor vehicles.
- NEVER LEAVE CHILD UNATTENDED.
- This product is to be used ONLY as a booster seat. It is not intended for use as a car seat, step stool, bathing seat or any other purpose.
- Always secure child in the restraint system until child is able to get in and out of the booster seat without help (about 2 1/2 years old).
- This booster seat is designed for use with adult size chairs that have flat smooth sitting and back surfaces only.
- Seat bottom anchoring latch and strap MUST pass through the green chair body and the matching slot in the blue legs between 3 level height adjustment.
- Seat and back anchoring straps MUST always be secure and tight to the adult chair prior to placing child in the booster seat.
- Never adjust seat height while child is in the booster seat.
- Remove booster seat from adult chair before adjusting seat height.
- Do not use the booster seat on an adult chair the straps will not completely fit around.
- NEVER use this booster seat with an adult chair that is not in good working order.
- Never use this booster seat on any uneven surface or with an adult chair that is on an uneven surface, the booster and chair could tip over causing serious injury or death.
- NEVER allow child to push against table while in booster seat.
- USE only for child that can sit up unassisted, the suggested age range is from 6 months to 4 years. It is the responsibility of the care giver to determine if their child is of an appropriate age for use with this booster seat.
- NEVER use this product on a tabletop, stool, swivel chair, or any other chair where the straps cannot secure it properly.
- CAUTION: Adult assembly required.
- KEEP SMALL PARTS OUT OF CHILDREN'S REACH.

### 1. Adjusting the The Seat Height: (Diagram A)

Your booster seat can be adjusted to 3 height settings. See the 6 horizontal adjustment slots on each leg.

Simply remove the shipping zip ties temporarily holding the leg and chair together and slide the leg up or down as indicated by the up-down arrow in "Diagram A" until the slots in the green chair match up with the desired height slots in the blue leg.

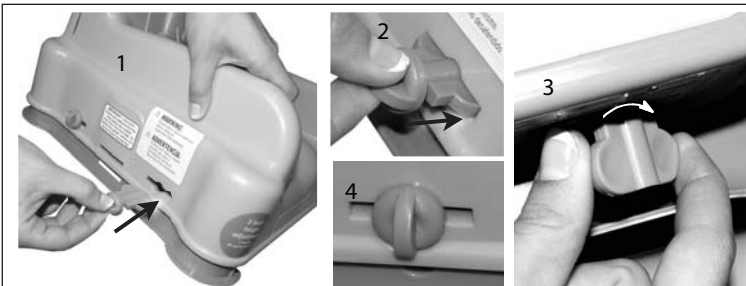


### 2. Locking the The Seat Height: (Diagram B)

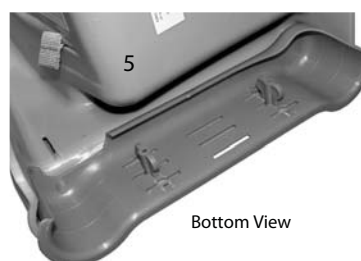
Included with your booster seat in the package where you found these instructions are 4 Leg Pins that look like this:



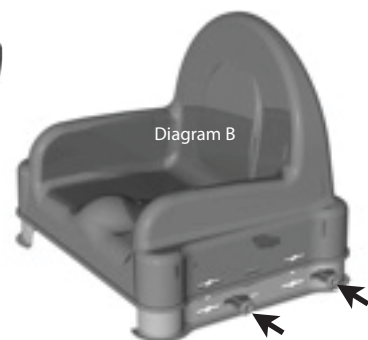
Follow the steps 1 - 4 in the pictures below to lock the seat height.



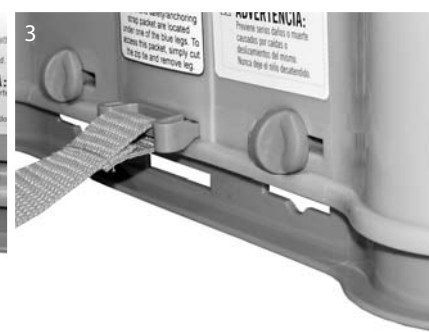
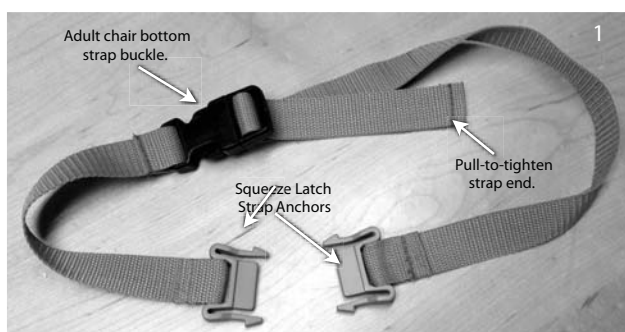
#1 - 2. Push the Leg Pin through matching slot in the green chair body & the blue leg on all four corners. #3 Turn Leg Pin 1/4 turn to lock from the BACK SIDE. #4 Shows the Leg Pin in the proper vertical position as viewed from the OUTSIDE of the Booster Chair.



#5 shows the Leg Pins snapped into position. You know you have correctly installed the pins when they are in a vertical position.

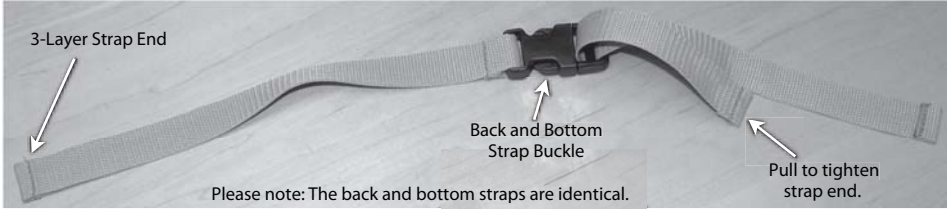


### 3. Attaching the Bottom Anchoring Strap:



Picture #1 above shows the components of the Bottom Anchoring strap. Once you have both legs adjusted to the proper height, and Leg Pins installed, you will now need to attach Adult Chair Bottom Anchoring Strap. To do this, simply insert the two (2) Squeeze Latch Strap Anchors thru the slots on each side of the booster by pressing with your thumb and first finger in the direction of the arrows as shown in picture #2 above. Picture #3 shows the Squeeze Latch Strap Anchor properly installed, going through the green chair and blue leg. NOTE: When removing the Squeeze Latch it may be necessary to the Locking Tabs from the BACK SIDE of the Leg.

**4. Installing The Back Anchoring Straps:**



Insert the "3-Layer Strap End into the strap slot. Fully push the strap into the slot until it slides freely inward.

Tug on all of the straps to confirm they are secure.

**5. Attaching The Booster Seat To The Adult Chair:**



1 Place the Booster Seat on the adult chair. Make sure it is centered.

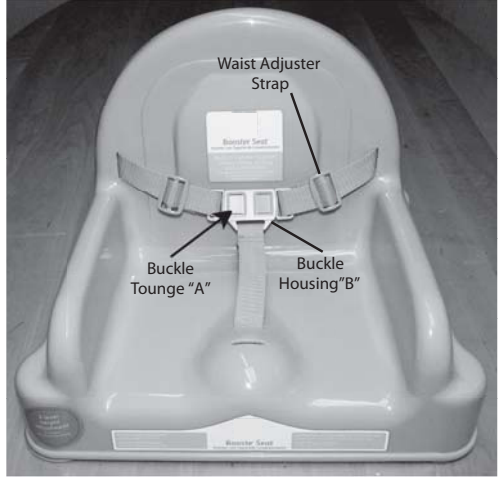
2 Connect the snap buckles for the back and bottom straps.

4 Pull the strap end to tighten.

5 Confirm that the straps are tight around the adult chair.

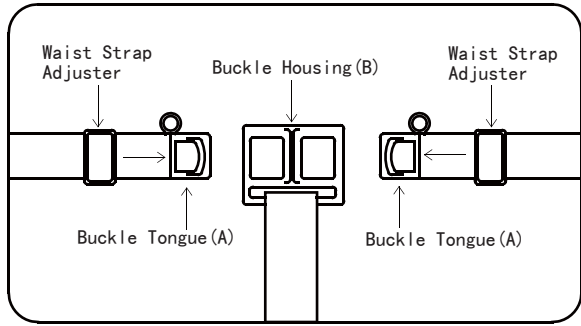
**CAUTION:** Do not use the booster seat on an adult chair without the back and bottom straps securely attached. Failure to properly use these could result in the legs being unstable causing serious injury or death.

**6. Using the 3-Point Harness:**



**HARNESS INSTRUCTIONS**

To Secure your child in the harness, push buckle tongues (A) into buckle housing (B) and adjust with waist strap adjuster so that the waist strap is firmly secured around child.



**7. Cleaning and Maintenance:**

To clean the booster seat, legs, straps and buckles use warm soapy water with a nonabrasive sponge, brush or cloth. Rinse with warm water. COMPLETELY DRY all surfaces of booster seat and straps before returning to service. Wet surfaces will cause slips and falls that may result in serious injury or death.

NEVER place the booster seat or any of it's straps or buckles in the dishwasher. Hand wash only. Check the condition of the straps and buckles frequently and keep them tight. FAILURE TO KEEP THE STRAPS AND BUCKLES PROPERLY SECURE MAY RESULT IN SERIOUS INJURY OR DEATH.

IN THE EVENT THAT ANY PORTION OF THE BOOSTER SEAT BODY, LEGS OR BUCKLES BECOME WORN, CRACKED OR BROKEN DISCONTINUE USE IMMEDIATELY. USING THE BOOSTER WITH BROKEN OR WORN PARTS MAY RESULT IN SERIOUS INJURY OR DEATH.

If you have any questions or comments contact:

Regalo, International  
 Toll free: 866-272-5274  
<http://www.regalo-baby.com>  
 Made in China.

## Free Manuals Download Website

<http://myh66.com>

<http://usermanuals.us>

<http://www.somanuals.com>

<http://www.4manuals.cc>

<http://www.manual-lib.com>

<http://www.404manual.com>

<http://www.luxmanual.com>

<http://aubethermostatmanual.com>

Golf course search by state

<http://golfingnear.com>

Email search by domain

<http://emailbydomain.com>

Auto manuals search

<http://auto.somanuals.com>

TV manuals search

<http://tv.somanuals.com>