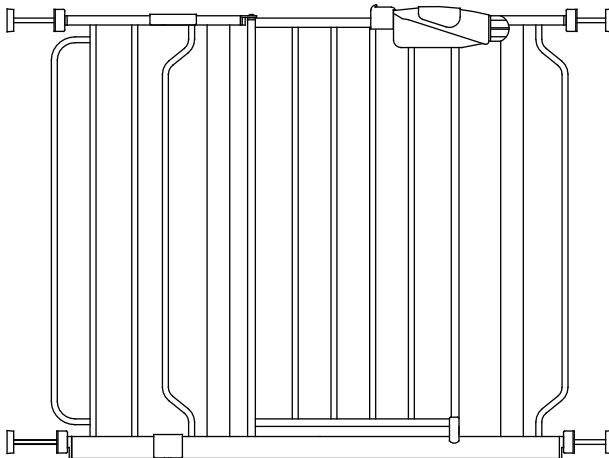




Easy Step Gate

MODEL NO: 1164 & 1166H

Owner's Manual



READ ALL INSTRUCTIONS BEFORE ASSEMBLY
AND USE OF GATE.

KEEP INSTRUCTIONS FOR FUTURE USE.

www.regalo-baby.com

Regalo International, LLC.

3200 Corporate Center Drive, Suite 100

Burnsville, MN 55306-9803, USA

Toll Free: 866-272-5274

Made in China

Assembly and Installation Instructions

Read and follow all instructions carefully to ensure that your gate and extensions are properly installed. Improper installation could result in the gate becoming unstable or dislodged from the doorway. Always make sure the extension is securely attached to the gate before using. The safety of your child is your responsibility. Please keep these instructions for your reference.

NOTE:

- Never use more than two extensions per gate.

It is preferable to install the extension on the hinge side of the gate. If you have an application that requires additional extensions, please contact the manufacturer.

- If hardware mounting to a surface other than drywall or wood, please consult with a professional about installation.
- If using this gate at the top of stairs, the four Wall Cups **MUST** be used. If not used, the gate may be dislodged from the opening.

WARNING:

This is a pet gate, but when used with children, the small pet door must be closed and securely latched. Check the gate regularly to see if all the hardware and mountings are tightened. To prevent serious injury or death, securely install gate or enclosure and use according to manufacturer's instructions. Never use with a child able to climb over or dislodge the gate or enclosure.

Never leave child unattended. Never leave pet unattended.

Use only with the locking/latching mechanism securely engaged.

Gate 1164 - Intended for young children aged 6 months through 24 months

Gate 1166H - Intended for young children aged 6 months through 36 months

Contact Regalo for questions and replacement parts.

If in doubt about the use of your gate, call our customer care line 866-272-5274.

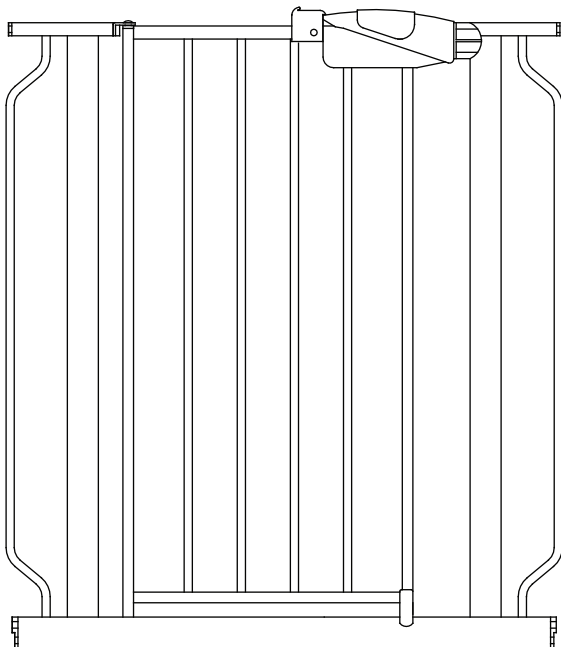
Regalo International, LLC.

3200 Corporate Center Drive, Suite 100

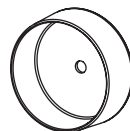
Burnsville, MN 55306-9803, USA

Made in China

Check to make sure you have all of the parts shown:



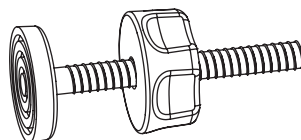
A.*



B.




C.



D.

- A.** Gate Frame
- B.** 4 Wall Cups
- C.** 4 Screws (requires a Phillips/crosshead screwdriver)
- D.** 4 Threaded Spindle Rods

Extensions List

Item NO.	12"	8"	6"	4"	 MAX Size
1164	●		●		29--52 inches
1166H			●		29--40 inches

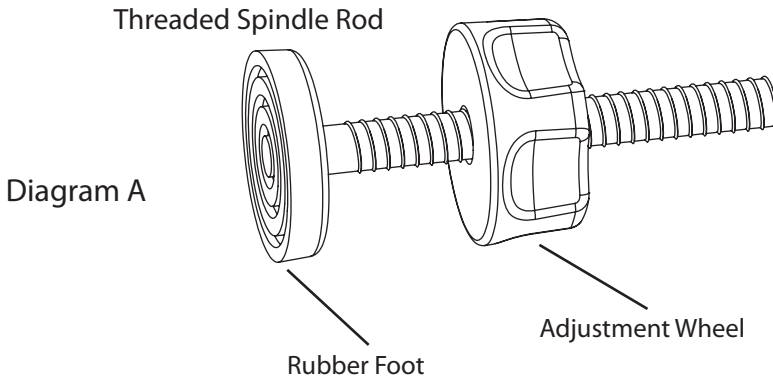
NOTE: When installing any gate at its maximum width use Wall Mounting Cups to ensure stability and safety.

Assembling and Installing Your Gate

****Note: IMPORTANT!!** You will notice a slight gap between the gate door latch and the frame. **THIS IS NOT A DEFECT.** Your gate is a pressure mounted gate and this gap will disappear once you tighten your gate in its opening.

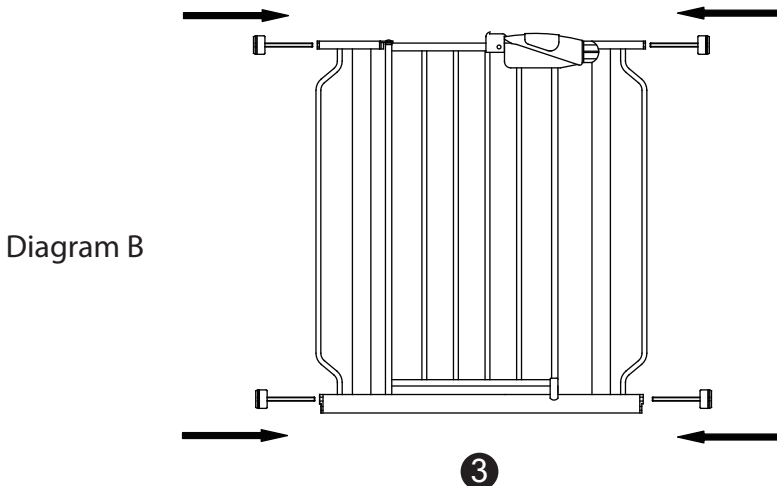
Step 1.

Locate the 4 threaded spindle rods. Rotate the adjustment wheels along the threading, eliminating the gap between the adjustment wheel and the rubber foot.



Step 2.

Insert the 4 threaded spindle rods into the holes at each of the 4 corners of the gate as shown in the Diagram B



Step 3.

Position the gate so that it is level and centered within your doorway or opening. Rotate the adjustment wheels on the threaded spindle rods in the opposite direction as in Step 1, expanding the gap between the rubber foot and the adjustment wheel. Expand each of the 4 Threaded Spindle Rods until they make contact with the doorway or opening. Do not fully tighten the Threaded Spindle Rods yet.

Diagram C1

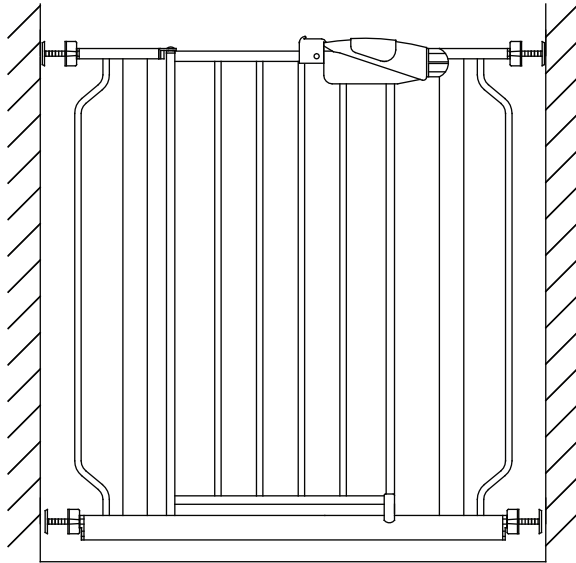
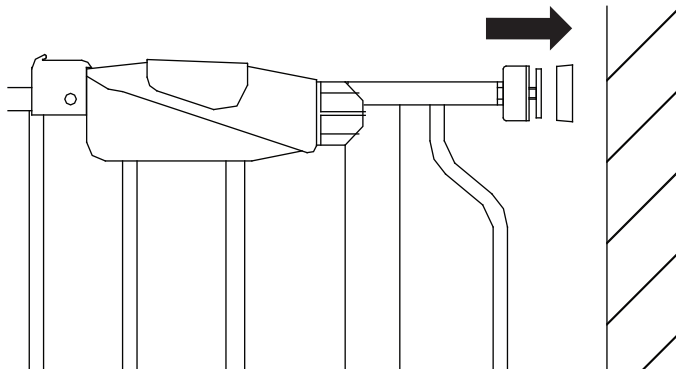


Diagram C2



HINT: It may be necessary to hold the Threaded Spindle Rods or Rubber Feet while rotating the Adjustment Wheels to ensure the entire unit does not rotate.

Step4.

When you are satisfied with the general placement of your gate, fully tighten the Threaded Spindle Rods attached to the lower corners of the gate by further rotating the Adjustment Wheels.

Continue by tightening the upper Threaded Spindle Rods. As you tighten the upper Threaded Spindle Rods, you will notice the gap between the Door Frame and the Easy Open Latch begin to narrow.

In order for the gate to function properly, stop tightening the upper Threaded Spindle Rods just before the inner wall of the Locking Latch and the Gate Frame touch.

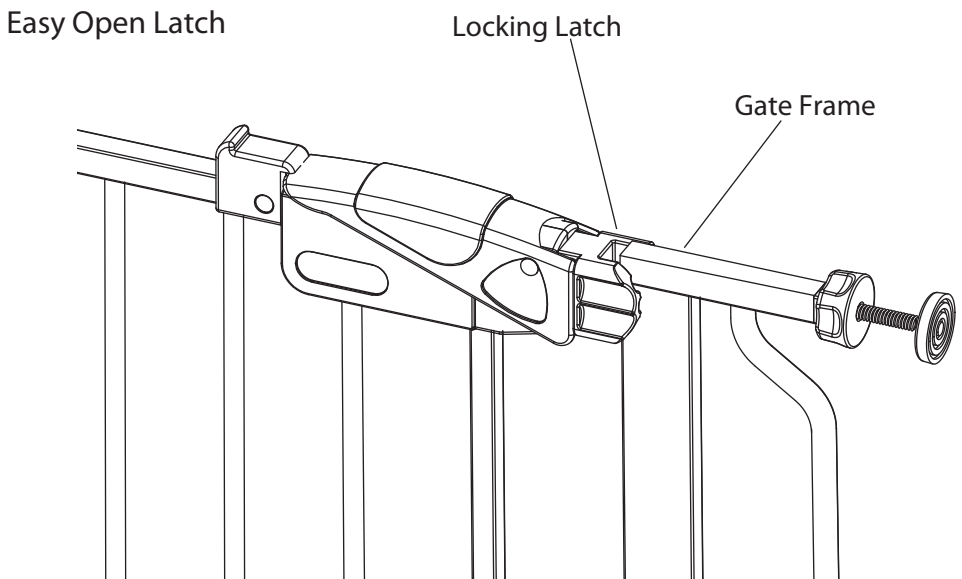


Diagram D

NOTE: There should be equal spacing among each of the 4 Threaded Spindle Rods. Make the appropriate adjustment to ensure you have installed your gate safely.

Positioning and Attaching the Wall Cups

Your gate is a pressure mounted gate. Therefore, it is not necessary to use the screw attached Wall Cups in your door opening if you choose not to. However, IF YOU ARE USING THE GATE AT THE TOP OF STAIRS YOU MUST USE THE WALL CUPS. Using the Wall Cups will affix your gate more firmly in the doorway or opening.

Step 1.

After you have mounted your gate, and you are satisfied with its positioning, use a pencil or other marking tool to draw a circle on the surface of your doorway or opening around the perimeter of the 4 rubber feet.

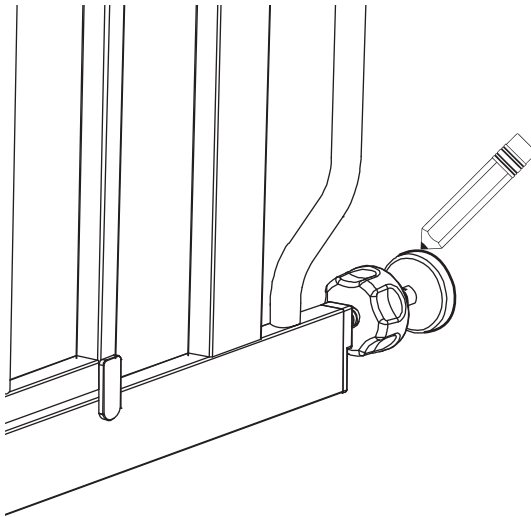


Diagram E

Step 2.

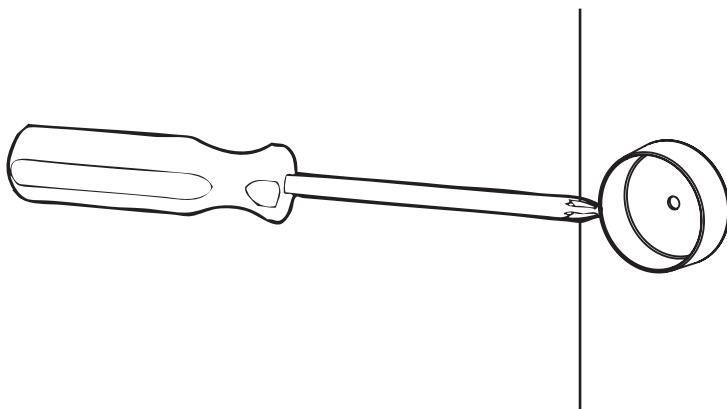
Next, completely remove the gate from the opening by loosening each of the 4 Threaded Spindle Rods and de-pressurizing the gate.

Step3.

With the gate fully removed, you can now use the circles you marked during Step 1 as guides for screwing in your 4 Wall Cups.

Center each of the Wall Cups within the guide circles and use the provided self-tapping screws to fasten them in place via the hole through the center of each Wall Cup.

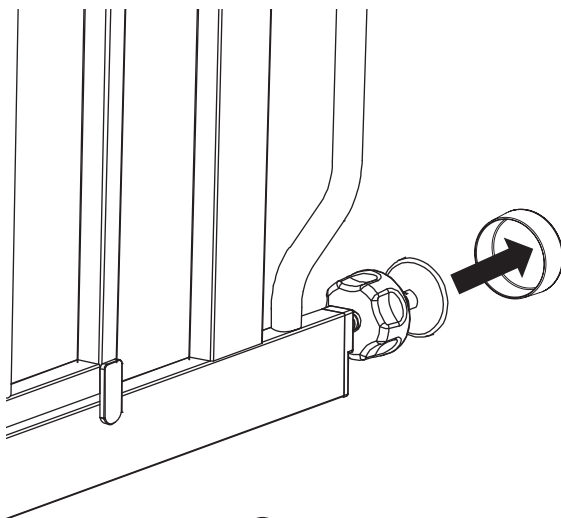
Diagram F



Step4.

Reinstall your gate in the doorway or opening according to the instructions, using the newly installed Wall Cups as anchoring points for the 4 Threaded Spindle Rods

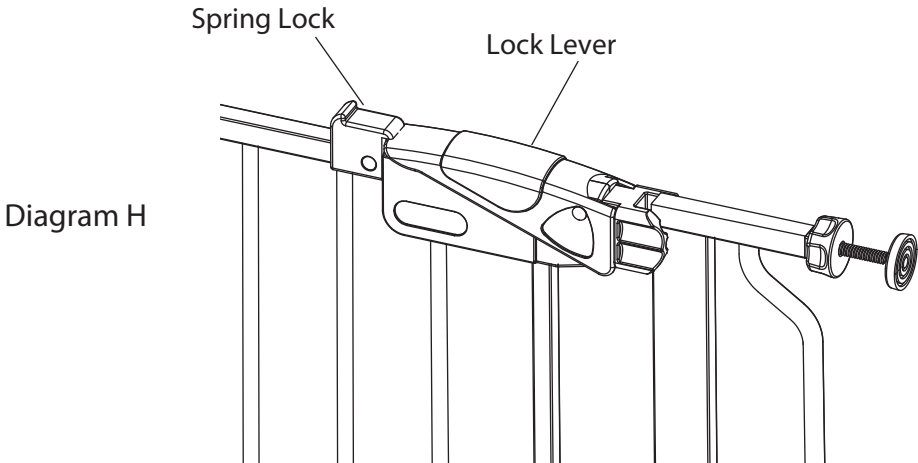
Diagram G



Operating the Door Latch

Step 1.

Pull the Spring Lock away from the Easy Open Latch while simultaneously lifting the Lock Lever upwards. This will release the Locking Latch from the Gate Frame and allow the door to push or pull open.

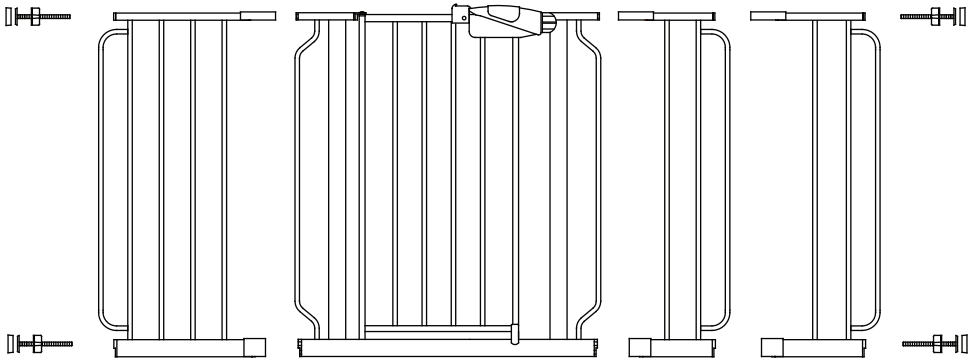


Step 2.

To lock the door shut, close the door completely, then push down on the Lock Lever to re-engage the Spring Lock

HINT: If your Easy Open Latch is not properly engaging with the receiving component, ensure that your gate is level, mounted properly, and that you have not over-tightened the threaded Spindle Rods.

Adding a Gate Extension



Step 1. Assemble the gate per the gate instructions.

Step 2. Choose the side of the gate to be extended and remove the top and bottom Threaded Spindle Rods.

Step 3. Assemble the gate and extension as illustrated.

Step 4. Reposition the gate and fit in accordance with the gate fitting instructions.

Removing Your Gate From The Wall

To remove your gate from the wall, rotate the Adjustment Wheels on each of the 4 Threaded Spindle Rods to depressurize the gate from its doorway or opening. Then, gently pull or push the gate free from its doorway or opening.

Care And Maintenance

Periodically check the gate for signs of damage, wear, or missing components.

Do not use if any part is missing, worn or damaged.

Check the gate regularly to ensure all the hardware and mountings are tightened.

Do not use abrasive cleaners or bleach.

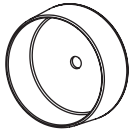
Clean by sponging with warm water and a mild detergent.

90 Days Limited Warranty:

If, during the first 90 days after consumer purchase of the item, under reasonable and non-commercial use and conditions of maintenance, it fails while owned by the original purchaser because of the quality of materials or workmanship of finish and assembly, Regalo International LLC will replace or repair it at Regalo's option. PROOF OF PURCHASE REQUIRED.

Replacement Parts Available

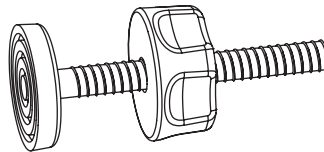
In the event of any damage or breakage, the following replacement parts are available for order by contacting Regalo Customer Service.



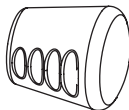
Wall Cups
(Gray = #14015)
(Black = #11015)



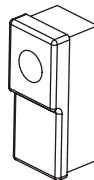
1" Wall Mount Screws
(#10001)



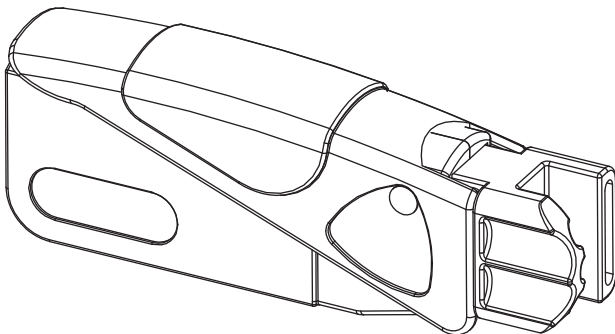
Threaded Spindle Rods
with Adjustment Wheel
(Gray = #14016)
(Black = #11016)



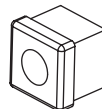
Pet Door Pull Knob
(#13038)



Bottom Plug Insert
(Gray = #14019)
(Black = #11019)



Easy Open Latch
(Gray = #14037)
(Black = #11037)
(White = #13037)



Top Plug Insert
(Gray = #14020)
(Black = #11020)

Contact Regalo for questions and replacement parts.
For questions about the use of your gate, call our customer care line 866-272-5274.

Regalo International, LLC.
3200 Corporate Center Drive, Suite 100
Burnsville, MN 55306-9803, USA

Made in China



Regalo International, LLC.

3200 Corporate Center Drive, Suite 100

Burnsville, MN 55306-9803, USA

Toll Free: 866-272-5274

Made in China

12/10/2013_EV

Free Manuals Download Website

<http://myh66.com>

<http://usermanuals.us>

<http://www.somanuals.com>

<http://www.4manuals.cc>

<http://www.manual-lib.com>

<http://www.404manual.com>

<http://www.luxmanual.com>

<http://aubethermostatmanual.com>

Golf course search by state

<http://golfingnear.com>

Email search by domain

<http://emailbydomain.com>

Auto manuals search

<http://auto.somanuals.com>

TV manuals search

<http://tv.somanuals.com>