

U32 Regency Gas Insert

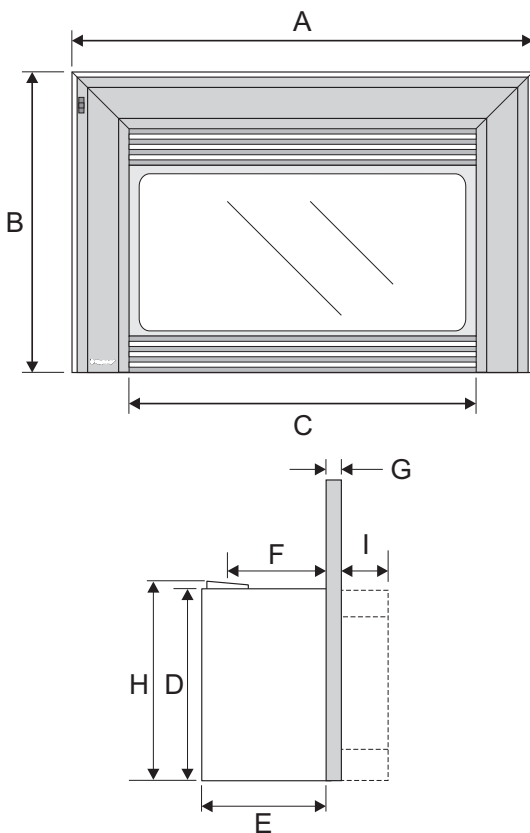
U32 Regency Gas Insert

| Model | U32-NG5 | U32-LP5 |
|--|---------------------------|---------------------------|
| Fuel Type | Natural Gas | Propane |
| Minimum Supply Pressure | 5" W.C. (1.25 kPa) | 12" W.C. (2.99 kPa) |
| Manifold Pressure - High | 3.8" W.C. (0.95 kPa) | 11" W.C. (2.74 kPa) |
| Manifold Pressure - Low | 1.1" W.C. (0.27 kPa) | 2.9" W.C. (0.72 kPa) |
| Orifice Size -Altitude 0-4500 ft. | #37 DMS | #52 DMS |
| Minimum Input Altitude 0-4500 ft. (0-1372m) | 15,300 BTU/h (4.48 kW) | 15,000 BTU/h (4.40 kW) |
| Maximum Input Altitude 0-4500 ft. (0-1372m) | 30,000 BTU/h (8.79 kW) | 30,000 BTU/h (8.79 kW) |
| Vent Sizing | 3" Co-linear | 3" Co-linear |

| Approved Venting Systems | |
|--------------------------|-------------------------|
| Flex Vent Systems: | FPI AstroCap™ Flex Vent |

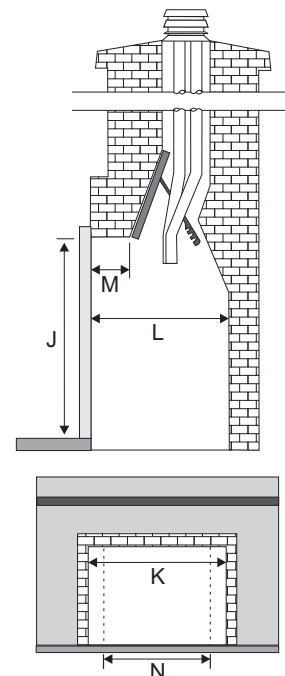


Gas Inserts



Minimum Fireplace Dimensions

The minimum fireplace dimensions for the FPI gas fireplace insert are shown in the following diagrams:



| Dimension | Description | U32 |
|-----------|----------------------------------|------------------|
| A | Faceplate Width | 40-1/4" (1022mm) |
| B | Faceplate Height | 26-1/4" (667mm) |
| C | Unit Width | 28" (711mm) |
| D | Unit Height | 20" (508mm) |
| E | Unit Depth | 13-3/4" (349mm) |
| F | Faceplate to Vent Centerline | 10-3/4" (273mm) |
| G | Faceplate Depth | 1-3/8" (35mm) |
| H | Height to Vent Collar | 21-1/16" (535mm) |
| I | Optional or Standard Front Depth | 3-3/4" (95mm) |

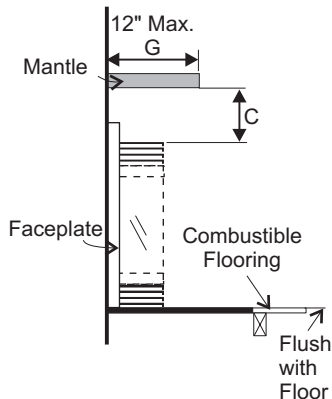
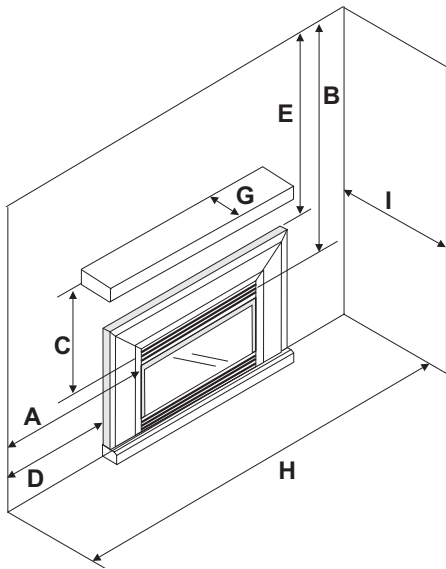
| Dimension | Description | Contour Faceplate | Molded Faceplate |
|-----------|-----------------------|-------------------|------------------|
| J | Height | 22" (559mm) | 22" (559mm) |
| K | Width | 26-1/2" (673mm) | 29" (737mm) |
| L | Depth | 14" (356mm) | 15" (381mm) |
| M | Max. Lintel Bar Depth | 9" (229mm) | 10" (254mm) |
| N | Rear Width | 22-1/2" (572mm) | 22-1/2" (572mm) |

U32 Regency Gas Insert

Clearances

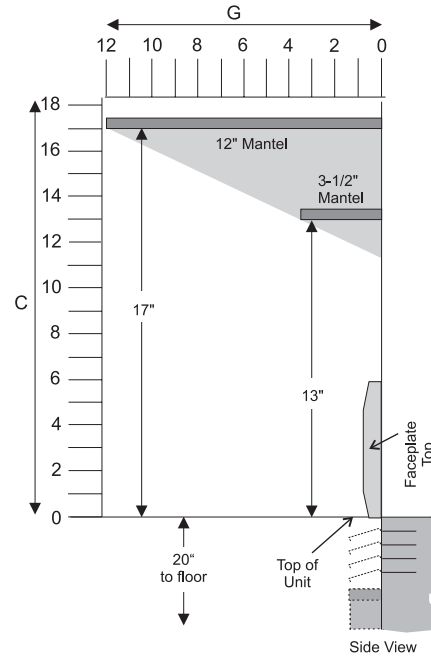
Unless otherwise stated the clearances listed below are Minimum distances to combustible materials. **Please Note: A major cause of chimney related fires is due to a failure to maintain required clearances (air space) to combustible materials. It is of the greatest importance that this fireplace and vent system be installed only in accordance with these instructions.**

| Clearances to Combustibles | | |
|----------------------------|-----------------------------------|--|
| Dimension | Description | U32 |
| A | From Unit to Sides | 10" (254mm) |
| B | From Unit to Ceiling | 47.5" (1207mm) |
| C | From Unit to Mantel | see diagram 2 & 3 |
| D | From Standard Surround to Sides | 4" (102mm) |
| E | From Standard Surround to Ceiling | 41.5" (1054mm) also see diagram 2 & 3 |
| G | Maximum Mantel Depth | 12" (305mm) see diagram 2 |
| H | Minimum Alcove Width | 48" (1219mm) |
| I | Maximum Alcove Depth | 36" (914mm) |
| * | No Hearth Required | |



Combustible Mantels

Because of the extreme heat this fireplace emits, the mantel clearances are critical. Combustible mantel clearances from top of the louvers are shown in the diagram below. Mantel may be installed anywhere in the shaded area or higher.



Note: A non-combustible mantel may be installed at a lower height.

Note: Ensure the paint that is used on the mantel and the facing is "heat resistant" or the paint may discolour.

Free Manuals Download Website

<http://myh66.com>

<http://usermanuals.us>

<http://www.somanuals.com>

<http://www.4manuals.cc>

<http://www.manual-lib.com>

<http://www.404manual.com>

<http://www.luxmanual.com>

<http://aubethermostatmanual.com>

Golf course search by state

<http://golfingnear.com>

Email search by domain

<http://emailbydomain.com>

Auto manuals search

<http://auto.somanuals.com>

TV manuals search

<http://tv.somanuals.com>