

# Owners & Installation



## Freestanding Gas Stove

Models: F39-NG  
F39-LPG

# Manual



**Abbey Fireplaces**

Sydney 26 Roger Street Brookvale, NSW 2100 Ph: 9939 9848

South Coast 139 Industrial Road Oak Flats, NSW 2529 Ph: 4256 5555

sales@thefireplace.com.au  
[www.thefireplace.com.au](http://www.thefireplace.com.au)

### PLEASE KEEP THESE INSTRUCTIONS FOR FUTURE REFERENCE

**WARNING:**

Improper installation, adjustment, alteration, service or maintenance can cause injury or property damage. Refer to this manual. For assistance or additional information consult an authorized installer, service agency or the gas supplier.

**FOR YOUR SAFETY**

Do not store or use gasoline or other flammable vapours and liquids in the vicinity of this or any other appliance.

Installation and service must be performed by an authorized installer, service agency or the gas supplier.

**FOR YOUR SAFETY**

What to do if you smell gas:

- Do not try to light any appliance
- Do not touch any electrical switch: do not use any phone in your building.
- Immediately call your gas supplier from a neighbour's phone. Follow the gas supplier's instructions.
- If you cannot reach your gas supplier, call the fire department.

**LISTINGS AND CODE APPROVALS**

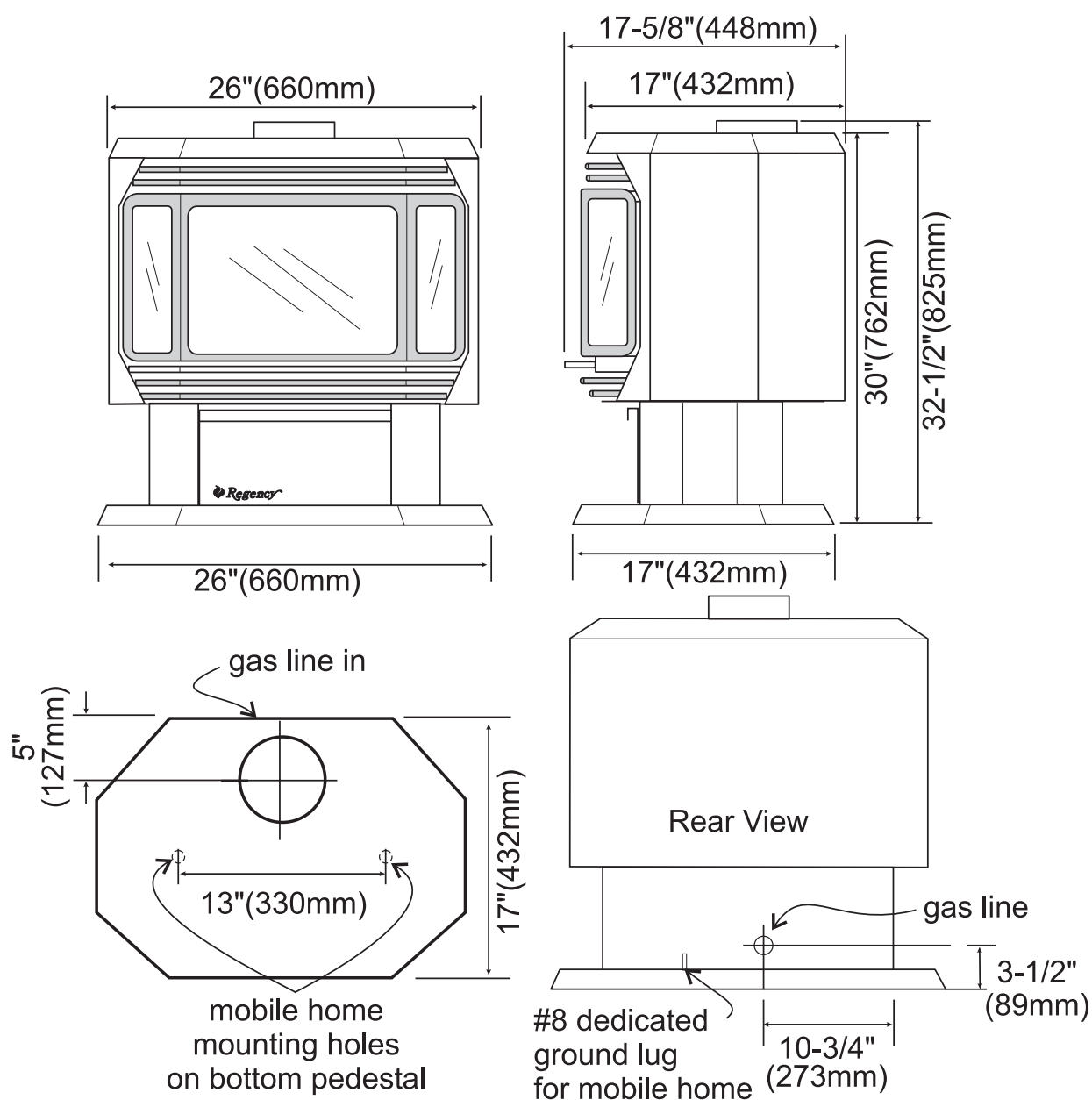
These gas appliances have been tested in accordance with AG 103, NZS 5262 and have been certified by the Australian Gas Association for installation and operation as described in these Installation and Operating Instructions.

Your unit should be serviced annually by an authorised service person.

## To the New Owner:

Congratulations! You are the owner of a state-of-the-art Regency® Room Sealed Gas Stove by FPI Fireplace Products International Ltd. The Regency® Gas Series of hand crafted appliances has been designed to provide you with all the warmth and charm of a woodstove, at the flick of a switch. The models F39-NG and F39-LPG of this series has been approved by Warnock Hersey for both safety and efficiency. As it also bears our own mark, it promises to provide you with economy, comfort and security for many trouble free years to follow. Please take a moment now to acquaint yourself with these instructions and the many features of your Regency Room Sealed Freestanding Gas Stove.

## UNIT SPECIFICATIONS



# TABLE OF CONTENTS

Unit Specifications .....	2
---------------------------	---

## SAFETY LABEL

Safety Label .....	4
--------------------	---

## INSTALLATION

Important .....	5
Specifications .....	5
Before You Start .....	5
General Safety Information .....	5
Installation Checklist .....	6
Exterior Flue Termination Locations .....	8
Fluing Arrangements .....	9
DV Stove Horizontal Flue Kit .....	10
DV Stove Horizontal Flue Kit .....	10
Dura-Flue Termination Kit .....	12
Gas Connection .....	15
Gas Pipe Pressure Testing .....	15
Aeration Adjustment .....	16
Conversion Kit #731-968 from NG To LPG .....	17
Conversion to Lower BTU Rating .....	18
Log Set Installation .....	18
Front Door Installation .....	20
Optional Wall Thermostat .....	20
Optional Remote Control .....	20
Final Check .....	20
Wiring .....	21

## OPERATING INSTRUCTIONS

Operating Instructions .....	22
Lighting Instructions .....	22
Shutdown Instructions .....	22
First Fire .....	22
Automatic Convection Fan Operation .....	22
Adjusting Flame Height .....	22
Copy of the Lighting Plate Instructions .....	23
Normal Operating Sounds of Gas Appliances .....	23

## MAINTENANCE

Maintenance Instructions .....	24
General Flue Maintenance .....	24
Gold-Plated Doors .....	24
Log Replacement .....	25
Door Gasket .....	25
Latch Adjustment .....	25
Glass Replacement .....	25

## MAINTENANCE

Fan Maintenance .....	26
Removing Valve .....	27

## PARTS LIST

F39 Main Assembly .....	28
F39 Burner & Log Assembly .....	29
F39 Door Assemblies .....	30

## WARRANTY

Warranty .....	31
----------------	----

# SAFETY LABEL

This is a copy of the label that accompanies each REGENCY F39 Room Sealed Freestanding Gas Stove. We have printed a copy of the contents

here for your review. The data plat is located on the inside of the drop down pedestal door.

NOTE: Regency® units are constantly being improved. Check the label on the unit and if there is a difference, the label on the unit is the correct one.

## Regency Gas Fireplace

Model	<input type="radio"/>	<input type="radio"/>	<input type="radio"/>	<input type="radio"/>
Gas Type	NG	LPG	NG	LPG
Model	<b>F37-NG</b>	<b>F37-LPG</b>	<b>F39-NG</b>	<b>F39-LPG</b>
Gas Consumption	31.7mj.	31mj.	40mj.	38mj.
Manifold Pressure	.89kPa	2.55kPa	.94kPa	2.55kPa
Injector Size :	1x#37 2.64mm	1x#52 1.61mm	1x#32 2.95mm	1x#50 1.78 mm
AGA Approval number				
Code AS4553-2000	6240	6240	6240	6240


Distributed by:

Western Australia:  
**Australian Heating Distributors Pty. Ltd.**  
**31 Clune St.**  
**Bayswater, WA, 6053**

Eastern Australia:  
**Fireplace Products Australia Pty. Ltd.**  
**21-23 South Link Blvd.**  
**Dandenong, VIC 3175**


To be installed by an authorised person in accordance with installation instructions provided with the appliance.

Electrical: 240VAC 50Hz 1.0 amp max.

 **N2134**

Serial Number **229**

918-083b



**DO NOT** OPERATE THIS APPLIANCE BEFORE READING THE INSTRUCTIONS BOOKLET.

**DO NOT** PLACE ARTICLES ON OR AGAINST THIS APPLIANCE

**DO NOT** STORE CHEMICALS OR FLAMMABLE MATERIALS, OR SPRAY AEROSOLS NEAR THIS APPLIANCE.

**DO NOT** OPERATE WITH PANELS, COVERS OR GUARDS REMOVED FROM THIS APPLIANCE.

**DO NOT** ENCLOSE THIS APPLIANCE.

908-602

**THE GUARD IS FITTED TO THIS APPLIANCE TO REDUCE THE RISK OR FIRE OR INJURY FROM BURNS AND NO PART OF IT SHOULD BE PERMANENTLY REMOVED.**

**FOR PROTECTION OF YOUNG CHILDREN OR THE INFIRM, A SECONDARY GUARD IS REQUIRED.**

(Australia Only)

## IMPORTANT SAVE THESE INSTRUCTIONS

The REGENCY Room Sealed Freestanding Gas Stove must be installed in accordance AG601 and NZS 5261 and with these instructions. Carefully read all the instructions in this manual first. Consult the building authority having jurisdiction to determine the need for a permit prior to starting the installation.

**Note:** Failure to follow the instructions could cause a malfunction of the heater which could result in death, serious bodily injury, and/or property damage. Failure to follow these instructions may also void your fire insurance and/or warranty.

**Note:** These instructions take precedence over Simpson Dura-Flue instructions.

## SPECIFICATIONS

**Fuels:** F39-NG is approved for use with NG.

F39-LPG is approved for use with liquefied petroleum gases (LPG).

**Electrical:** 240V A.C. system.

**Circulation Fan:** Variable speed, 125/75.

**Log Sets:** Ceramic fibre, 7 per set.

**Flue System:** Coaxial (6-5/8" outer / 4" inner liner) rigid flue and termination cap.

## BEFORE YOU START

Safe installation and operation of this appliance requires common sense, however, we are required by the Canadian Safety Standards and ANSI Standards to make you aware of the following:

**INSTALLATION AND REPAIRS SHOULD BE DONE BY AN AUTHORIZED SERVICE PERSON. THIS APPLIANCE SHOULD BE INSTALLED, REPAIRED, INSPECTED BEFORE USE AND AT LEAST ANNUALLY BY AN AUTHORIZED SERVICE PERSON. MORE FREQUENT CLEANING MAY BE REQUIRED DUE TO EXCESSIVE LINT FROM CARPETING, ETC. IT IS IMPERATIVE THAT THE CONTROL**

**COMPARTMENT, BURNERS AND CIRCULATING AIR PASSAGEWAYS OF THE APPLIANCE BE KEPT CLEAN.**

**DUE TO HIGH TEMPERATURES, THE APPLIANCE SHOULD BE LOCATED OUT OF TRAFFIC AND AWAY FROM FURNITURE AND DRAPERIES.**

**WARNING: FAILURE TO INSTALL THIS APPLIANCE CORRECTLY WILL VOID YOUR WARRANTY AND MAY CAUSE A SERIOUS HOUSE FIRE.**

**CHILDREN AND ADULTS SHOULD BE ALERTED TO THE HAZARDS OF HIGH SURFACE TEMPERATURES, ESPECIALLY THE FIRE-PLACE GLASS, AND SHOULD STAY AWAY TO AVOID BURNS OR CLOTHING IGNITION.**

**YOUNG CHILDREN SHOULD BE CAREFULLY SUPERVISED WHEN THEY ARE IN THE SAME ROOM AS THE APPLIANCE.**

**CLOTHING OR OTHER FLAMMABLE MATERIAL SHOULD NOT BE PLACED ON OR NEAR THE APPLIANCE.**

- 1) Provide adequate clearances for servicing, proper operation and around the air openings into the combustion chamber.
- 2) The appliance may be installed on a flat, solid, continuous surface (e.g. wood, metal, concrete). This may be the floor, or it can be raised up on a platform to enhance its visual impact. The appliance may be installed on carpeting, tile, wood flooring or other combustible material, because the appliance's metal pedestal base extends the full width and depth of the appliance. The Regency® Room Sealed Freestanding Gas Stove can be installed in a wide variety of ways and will fit nearly any room layout. It may be installed in a recessed position, framed out into the room, or across a corner.
- 3) The Regency® Room Sealed Freestanding Gas Stove is approved for alcove installations, which meet the clearances listed on page 7. This unit is approved for manufac-

tured home installations, see page 9 for the required flue arrangements. If installed into a manufactured home the unit must be bolted down to the floor.

- 4) This appliance is Listed for bedroom installations when used with a Listed Millivolt Thermostat. Some areas may have further requirements, check local codes before installation.
- 5) This appliance is Listed for Alcove installations, maintain minimum Alcove clearances as follows, minimum width of 48" (1219mm), a maximum depth of 36" (914mm), and minimum ceiling height of 64" (1626mm).
- 6) We recommend that you plan your installation on paper using exact measurements for clearances and floor protection before actually installing this appliance. Have an authorized building inspector review your plans before installation.

## GENERAL SAFETY INFORMATION

- 1) The appliance shall be installed in accordance with the manufacturer's installation instructions, local gas fitting regulations, municipal building codes, water supply regulations, electrical wiring regulations, with AG 601 (AGA gas installation code) NZS 5261 (New Zealand)
- 2) Installation and repair should be done ONLY by an authorised person.
- 3) DO NOT CONNECT TO MASONRY FLUE.
- 4) This appliance must be connected to the specified flue and termination cap to the outside of the building envelope. Never flue to another room or inside a building. Make sure that the flue is fitted as per Flueing instructions.
- 5) Inspect the flueing system annually for blockage and any signs of deterioration.
- 6) Flueing terminals shall not be recessed into a wall or siding.
- 7) Any safety glass removed for servicing must be replaced prior to operating the appliance.
- 8) To prevent injury, do not allow anyone who is unfamiliar with the operation to use the fireplace.
- 9) Wear gloves and safety glasses for protection while doing required maintenance.

# INSTALLATION

- 10) Be aware of electrical wiring locations in walls and ceilings when cutting holes for termination.
- 11) Under no circumstances should this appliance be modified. Parts that have to be removed for servicing should be replaced prior to operating this appliance.
- 12) Installation and any repairs to this appliance should be done by an authorised service person. An authorised service person should be called to inspect this appliance annually. Make it a practice to have all of your gas appliances checked annually.
- 13) Do not slam shut or strike the glass door.
- 14) Under no circumstances should any solid fuels (wood, paper, cardboard, coal, etc.) be used in this appliance.
- 15) The appliance area must be kept clear and free of combustible materials, (gases and other flammable vapours and liquids).

## INSTALLATION CHECKLIST

- 1) Check Clearances to Combustibles. Refer to the "Clearance to Combustibles" section.
- 2) Install Louvers. Refer to "Louver Installation" section.
- 3) Install flueing. Refer to the "Flueing" section.
- 4) Make gas connections. Refer to the "Gas Connection" section. Test the pilot. Must be as per diagram in the "Pilot Adjustment" section.
- 5) If necessary, convert NG to LPG. Refer to the "Conversion from NG to LPG" section.
- 6) Test Gas Pressure. Refer to the "Gas Pipe Pressure Testing" section.
- 7) Install log set. Refer to the "Log Set Installation" section
- 8) Install Front Door. Refer to the "Front Door Installation" section.
- 9) Install Optional Features. Refer to the following sections where applicable:
  - a. Optional Wall Thermostat
  - b. Optional Remote Control
- 10) Final check. Refer to the "Final Check" section.

Before leaving this unit with the customer, the installer must ensure that the appliance is firing correctly and **operation fully explained to customer.**

### This includes:

- 1) Locking the appliance to ensure the correct firing rate (rate noted on label) after burning appliance for 15 minutes.
- 2) If required, adjusting the primary air to ensure that the flame does not carbon. First allow the unit to burn for 15-20 min. to stabilize.

**CAUTION: Any alteration to the product that causes sooting or carboning that results in damage is not the responsibility of the manufacturer.**

## CLEARANCES TO COMBUSTIBLES

The clearances listed are MINIMUM distances. Measure the clearance to both the appliance and the chimney connector. **The farthest distance is correct if the two clearances do not coincide.**

For example, if the appliance is set as indicated in one of the figures but the connector is too close, move the stove until the correct clearance to the connector is obtained.

This appliance may be installed only with the clearances as shown in the situations pictured. **Do not combine clearances from one type of installation with another in order to achieve closer clearances.**

This unit can be installed on a solid combustible surface like a wood floor. This unit can also be installed directly on carpeting or vinyl when the bottom pedestal cover plate (provided with unit) is installed.

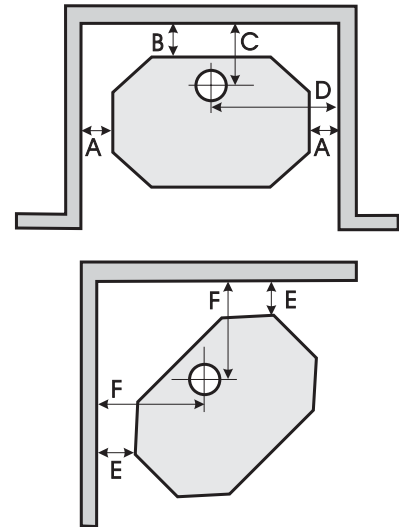
Use the minimum clearances shown in the diagrams below:

### F39-NG & F39-LPG Clearances

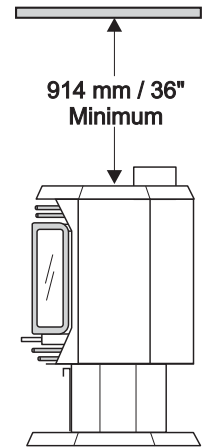
A Side Wall to Unit	190 mm
B Back Wall to Unit	150 mm
E Side Wall to Unit	50 mm

### F39-NG & F39-LPG Reference Dimensions

C Back Wall to Flue Centerline	11" / 280 mm
D Side Wall to Flue Centerline	521 mm
F Side Wall to Flue Centerline	280 mm



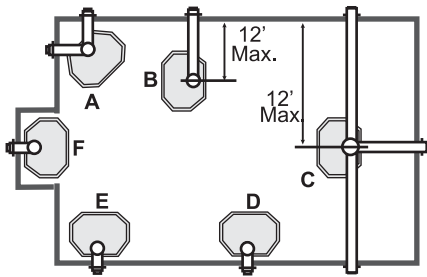
Minimum ceiling height is 914 mm from top of unit.



## LOCATING YOUR REGENCY® GAS STOVE

When selecting a location for your stove, ensure that the clearances listed above are met as well as ensuring that there is adequate accessibility for servicing and proper operation.

- A) Cross Corner
- B) Room Divider
- C) Island
- D) Flat on Wall
- E) Flat on Wall Corner
- F) Flush with Wall/ Alcove



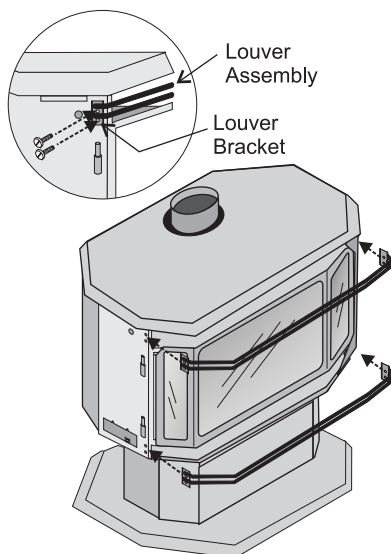
For flue termination requirements, refer to "Exterior Flue Termination Location" section.

## COMBUSTION AND VENTILATION AIR

The combustion air from this appliance is drawn from outside the building through the outer flue. **Extra provision for combustion air inside the room is not required.**

## LOUVER INSTALLATION

- 1) Attach the top & bottom louvres to the side stove panel using 2 screws per side.



## FLUEING INTRODUCTION

The DV Stove Horizontal Flue Kit and the Simpson Dura-Flue Room Sealed System Model DV-GS flueing systems, in combination with the Regency® Room Sealed Freestanding Gas Stove, F39-NG, and F39-LPG, have been tested and listed as direct flue heater systems by AGA.

These units use the "balanced flue" technology Co-Axial system. The inner liner flues products of combustion to the outside while the outer pipe draws outside combustion air into the combustion chamber thereby eliminating the need to use heated room air for combustion and losing warm room air up the chimney.

**Note: These flue pipes must not be connected to any other appliance.**

The gas appliance and flue system must be flued directly to the outside of the building, and never be attached to a chimney serving a separate solid fuel or gas burning appliance. Each direct flue gas appliance must use its own separate flue system. Common flue systems are prohibited.

### IMPORTANT

Read all instructions carefully before starting the installation. Failure to follow these instructions may create a fire or other safety hazard, and will void the warranty. Be sure to check the flueing and clearance to combustible requirements. Consult your local building codes before beginning installation.

The location of the termination cap must conform to the requirements in the Exterior Flue Terminal Locations diagram, refer to "Exterior Flue Termination Location" section.

## INSTALLATION PRECAUTIONS

These flueing systems are engineered products that have been designed and tested for use with the F39-NG, and F39-LPG. The warranty will be voided and serious fire, health or other safety hazards may result from any of the following actions:

- 1) Installation of any damaged Room Sealed component
- 2) Unauthorized modification of the Room Sealed System
- 3) Installation of any component part not manufactured or approved by Simpson Dura-Flue or Fireplace Products International Ltd.

- 4) Installation other than as instructed by Simpson Dura-Flue and Fireplace Products International Ltd.

**Warning: Always maintain required clearances (air spaces) to nearby combustibles to prevent a fire hazard. Do not fill air spaces with insulation.**

Be sure to check the flue termination clearance requirements from decks, windows, soffits, gas regulators, air supply inlets and public walkways as specified in the Exterior Flue Terminal Locations on page 8 and in your local building codes.

**The gas appliance and flue system must be flued directly to the outside of the building, and never be attached to a chimney serving a separate solid fuel or gas-burning appliance.** Each direct flue gas appliance must use its own separate flue system. Common flue systems are prohibited.

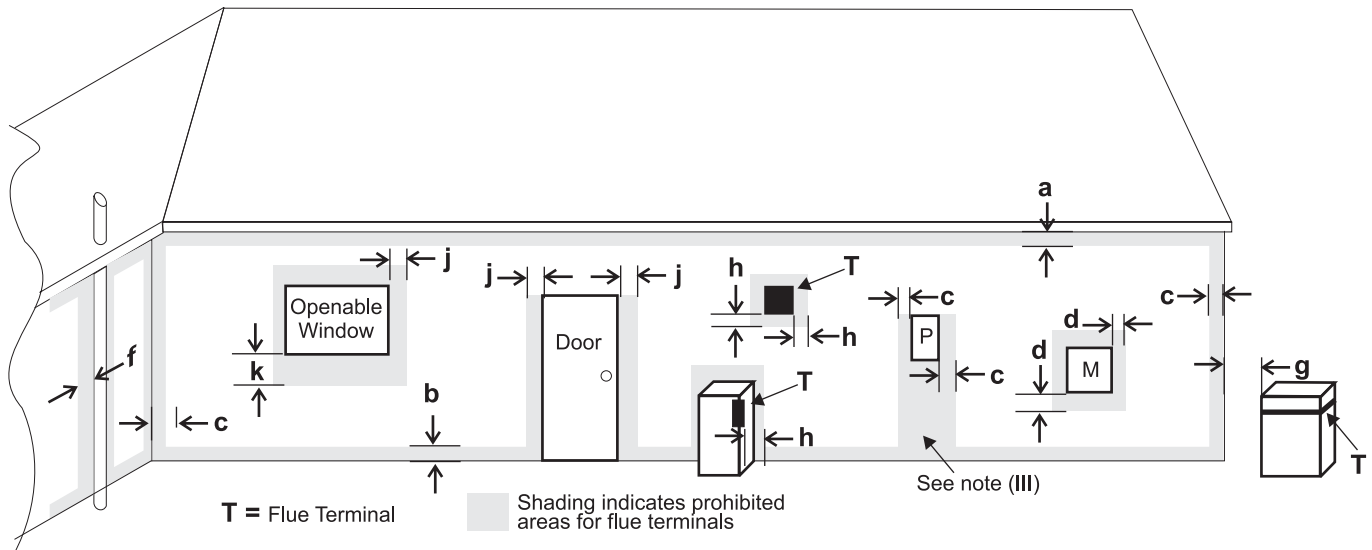
## SAFETY PRECAUTIONS FOR THE INSTALLER

- 1) Wear gloves and safety glasses for protection.
- 2) Exercise extreme caution when using ladders or on roof tops.
- 3) Be aware of electrical wiring locations in walls and ceilings.



# INSTALLATION

## EXTERIOR FLUE TERMINATION LOCATIONS



### Minimum clearances required for balanced flue terminals or the flue terminals of outdoor appliances according to AG 601 (AGA gas installation code) or NZS 5261 (New Zealand)

Clearance (mm)	Minimum
a Below eaves, balconies or other projections:	
- Appliances up to 50 MJ/h input	300
- Appliances over 50 MJ/h input	500
b From the ground or above a balcony	300
c From a return wall or external corner	500
d From a gas meter (M)	1000
e From an electricity meter or fuse box (P)	500
f From a drain or soil pipe	150
g Horizontal from any building structure (unless appliance is approved for closer installation) or obstruction facing a terminal	500
h From any other flue terminal, cowl or combustion air intake	500
j Horizontally from an openable window, door, or non-mechanical air inlet, or any other opening into a building, with the exception of sub-floor ventilation (see also Note (I)):	
- Appliances up to 150 MJ/h input	500
- Appliances over 150 MJ/h input	1500
k Vertically below an openable window, door, or non-mechanical air inlet, or any other opening into a building, with the exception of sub-floor ventilation (see also Note (I)): see table below	

Clearance 'k' in mm			
Space Heaters	All Other Appliances		
Up to 50 MJ/h input	Up to 50 MJ/h input	Over 50 MJ/h input to 150 MJ/h input	Over 150 MJ/h input
150	500	1000	1500

#### NOTES:

- (I) For mechanical air inlets, including spa blowers, the clearance 'j' and 'k' shall be 1500 mm in all cases.
- (II) All distances shall be measured vertically or horizontally along the wall to a point in line with the nearest part of the terminal.
- (III) Prohibited area below electricity meter or fuse box extends to ground level.
- (IV) A flue terminal of this type shall not be located under a roofed area unless the roofed area is fully open on at least two sides and a free flow of air at the appliance is achieved.



## FLUING ARRANGEMENTS

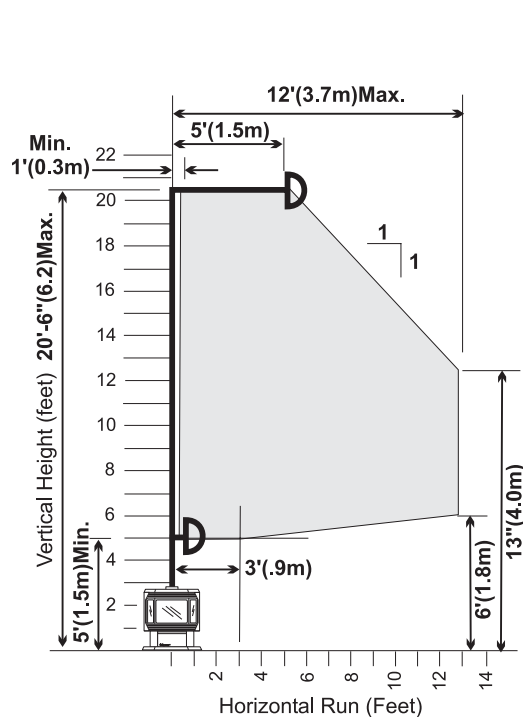
### Horizontal Terminations for All Fluing Systems

The shaded areas in the diagram below show all allowable combinations of vertical runs with horizontal terminations. Maximum one 90° elbow (two 45° elbows equal one 90° elbow).

#### LPG and NG: Residential, Manufactured and Mobile Homes Installations

The fluing arrangements diagrammed below, have a min. of 75% (flue loss) efficiency with Fan Off, as required for manufactured homes. (Actual efficiency may be as high as 85%)

*May be installed in Manufactured (Mobile) Homes after first sale.*

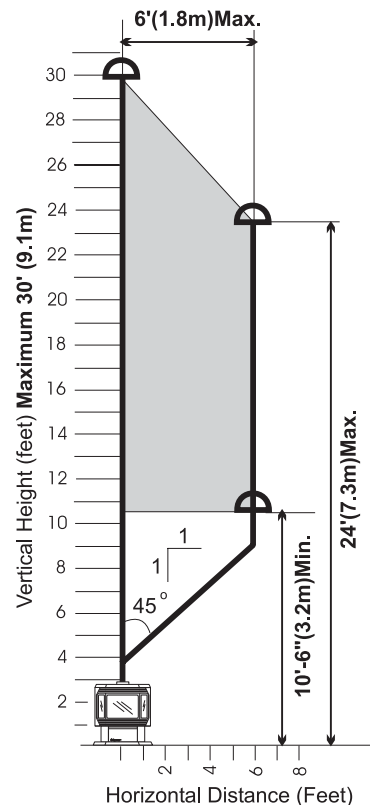


### Vertical Terminations Using Dura-Flue Fluing System for Residential Manufactured and Mobile Homes

The shaded area in the diagram below shows all allowable combinations of straight vertical and offset to vertical runs with vertical terminations. Maximum two 45° elbows.

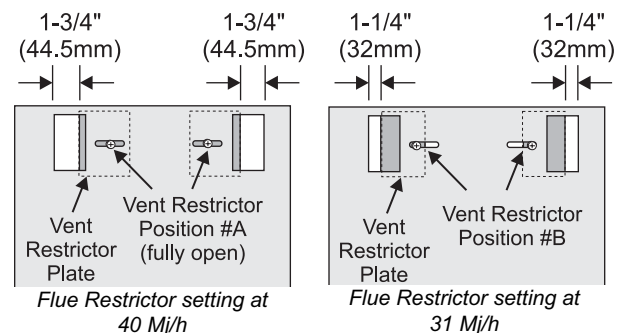
If the flue is ENCLOSED in a chase (min. size 9" x 9") maintain a 1-1/4" clearance to combustibles.

*May be installed in Manufactured (Mobile) Homes after first sale.*



### Flue Restrictor Position

To set the Flue restriction as indicated in the diagram, simply loosen the screws and push the flue restrictor plate to the correct position. Tighten the screws.



# INSTALLATION

## DV STOVE HORIZONTAL FLUE KIT

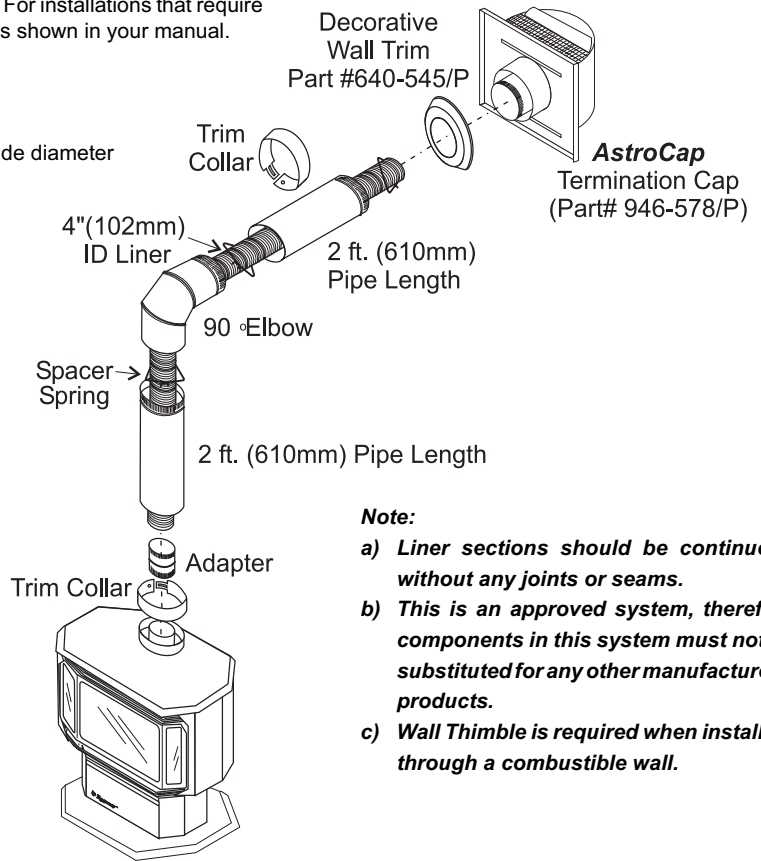
Horizontal Stove Flue Kit (Part# 946-112) includes all the parts needed to install the F39 Freestanding Gas unit with minimum horizontal and vertical vent dimensions. For installations that require longer vertical and/or horizontal vents use the Dura-Vent system as shown in your manual.

### Qty. Description

- 1) 2 Rigid Pipe Section 1.2m length, 165mm inside diameter
- 2) 1 Flex Liner, compressed aluminium 2 ply liner, 102mm inside diameter
- 3) 4 spring spacers
- 4) 1 90 deg. Elbow
- 5) 1 Decorative Wall Trim
- 6) 1 Adapter
- 7) 1 **AstroCap** Termination Cap
- 8) 2 Trim Collar
- 9) 1 tube of Mill-Pac, high temperature sealant
- 10) 12 Screws, #8 x 1/2" Self tapping, Stainless Steel
- 11) 14 Screws, #8 x 1/2" Self tapping, Black
- 12) 4 Screws #8 x 1-1/2" Drill Point, Stainless Steel

### Optional:

946-206 Vinyl Siding Standoff  
for **AstroCap**



### Note:

- a) **Liner sections should be continuous without any joints or seams.**
- b) **This is an approved system, therefore components in this system must not be substituted for any other manufacturer's products.**
- c) **Wall Thimble is required when installing through a combustible wall.**

## DV STOVE HORIZONTAL FLUE KIT (# 946-112) INSTALLATION

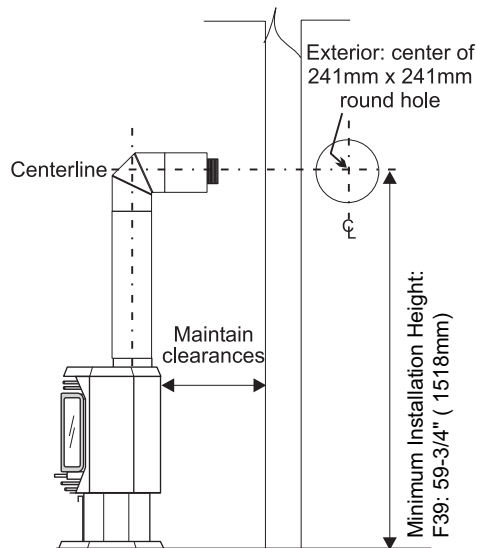
Review the following sequence of instructions which are typical of most installations. The sequence may vary depending on wall thickness. **Refer to flue location, see "Exterior Flue Termination Location" section, and clearance dimensions, see to "Clearances to Combustibles" section.**

- 1) Set the unit in its desired location. Check to determine if wall studs will be in the way of the fluing system, adjust location until all clearances are met and there are no obstructions.

**Note:** A 1-1/2"(38mm) clearance around the outer pipe must be maintained except that only a 1" (25mm) clearance is needed at the termination end.

### IMPORTANT:

Do not locate termination hood where excessive snow or ice buildup may occur. Be sure to check flue termination area after snow falls, and clear to prevent accidental blockage of fluing system. When using



**snow blowers, make sure snow is not directed towards flue termination area.**

- 2) Assemble a **trial fit** to determine the vertical center-line for the flue termination.

- a) Cut a 241mm round hole on both the interior and exterior wall.

- b) Attach the 2 ft. pipe section to the flue terminal and slide into position from the exterior. **The larger diameter end of the adjustable pipe goes to the flue terminal.**

- c) Install the 90° elbow onto the adjustable pipe to determine the vertical centerline of the starter collar on the unit.

**Note: if the centerline cannot be met, the adjustable sections will have to be cut.**

- d) Cut the 2 ft. section of rigid pipe to length. Ensure that the pipe length

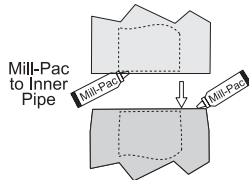
when cut will seat onto both the starter collar and the 90° elbow. **Crimped section of rigid pipe seats into the 90° elbow. Only cut the uncrimped side of pipe.**

Dismantle all pipe sections including flue terminal.

- 3) Attach the 4" dia. flex liner to the flue terminal ensuring that the flex overlaps the collar of the flue terminal by a minimum of 1-3/8" (35mm). Use Mill-Pac to seal and secure with 3 of the #8 x 1/2" screws (stainless steel).

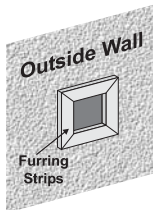
- 4) Attach the 2 ft. pipe section to the flue terminal using Mill-Pac and/or high temperature silicone and attach with 3 of the #8 x 1/2" screws (stainless steel).

Hint: Apply the sealant (Mill-Pac and/or high temperature silicone) to the outer pipe before connecting the inner pipe.



**Note:** The pipe seam should be facing down.

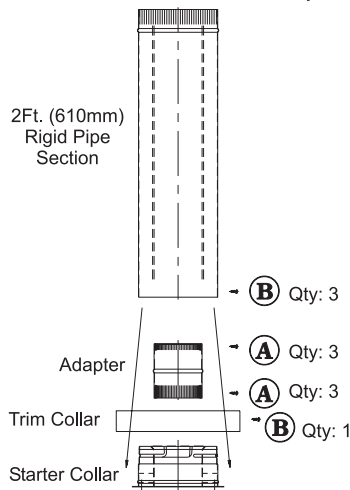
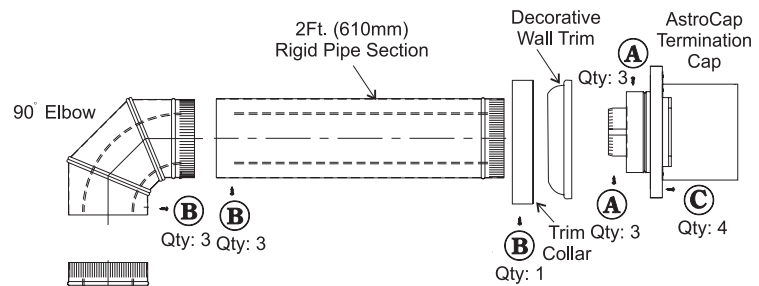
**Note:** To make the installation more aesthetically pleasing, we recommend framing out a square that the cap can be mounted on.



**Note:** If installing termination on a siding covered wall, a vinyl siding standoff or furring strips must be used to ensure that the termination is not recessed into the siding. For vinyl siding standoff installation refer to the Dura-Flue Termination instructions.

- 5) Slide the partially connected pipe and flue terminal assembly through the wall (from the exterior into the interior) and secure the cap to the exterior wall with 4 of the supplied screws (#8 x 1-1/2" drill point, stainless steel).

**Note:** The four screws provided for the flue cap should be replaced with appropriate fasteners for stucco, brick, concrete, or other types of sidings.



- A** #8 x 1/2" (13mm) Self Tapping, Stainless Steel
- B** #8 x 1/2" (13mm) Self Tapping, Black
- C** #8 x 1/2" (38mm) Drill Point, Stainless Steel

- 6) A bead of non-hardening mastic should be run around both the termination and vinyl siding standoff to prevent water from entering and to make a tight seal between the cap and the standoff.

- 7) Stretch the 4" dia. flex liner out fully and get a trial fit of the liner onto the 4" dia. starter collar.

- 8) Cut the 4" dia. flex liner to the desired size.

Hint: leave an extra 12" to 16" of length, this will make the final assembly easier to work with.

- 9) Secure the 4" dia. flex liner to the 4" adapter with Mill-Pac and 3 of the #8 x 1/2" screws (stainless steel).

- 10) Slide the Decorative Wall Cover over the pipe sections.

- 11) Slide the 90° elbow (crimp end up) and the 2 ft. pipe section (crimp end up) over the 4" dia. flex liner.

- 12) Slide the trim collar over the pipe section to cover the joint.

- 13) Install the spring spacers onto the pipe sections.

- 14) Secure the 4" dia. flex liner with adapter onto the stove collar. Put a bead of Mill-Pac around the appliance adapter and secure with 3 screws (#8 x 1/2, stainless steel).

- 15) Attach the pipe section onto the starter collar by sealing with Mill-Pac and/or high temperature silicone and securing with 3 of the #8 x 1/2" (black) screws. Pipe seams should be facing the wall.

- 16) Attach the 90° elbow onto the pipe section by sealing with Mill-Pac and/or high temperature silicone and securing with 3 of the #8 x 1/2" screws (black).

- 17) Slide the 2 ft. pipe section onto the 90° elbow. The flex may have to be compressed back in order for the pipe to properly mate to the elbow. Seal with Mill-Pac and/or high temperature silicone and secure with 3 of the #8 x 1/2" screws (black). Pipe seams facing down.

- 18) Install the trim collar over the starter collar and secure with a #8 x 1/2" screw (black).

If the pipe needs to be touched up, use only Stove Brite High Temperature Metallic Black Stove Paint.

**NOTE:** All inner joints must be sealed with Mill-Pac.

All outer joints may be sealed with high temperature silicone.

# INSTALLATION

## DURA-FLUE TERMINATION KIT

### Planning Your Dura-Flue Installation

There are two basic types of Dura-Flue Room Sealed System installations: horizontal termination and vertical termination. Confirm the maximum horizontal run and maximum vertical rise from the diagrams, refer to "Fluing Arrangements" section.

When planning your installation, it will be necessary to select the proper length of flue pipe for your particular requirements. For horizontal installations, determine the minimum clearance from the rear of the unit to the wall. It is also important to note the wall thickness. (The wall thimble is suitable for 2 x 4 or 2 x 6 wall construction.) Select the amount of vertical rise desired for "vertical-to-horizontal" type installations.

**Warning: Always maintain required clearances (air spaces) to nearby combustibles to prevent a fire hazard. Do not fill air spaces with insulation.**

The minimum clearance requirements between the outer wall of the flue pipe and nearby combustible surfaces is 1-1/4 inch. Be sure to check the flue termination clearance requirements from decks, windows, soffits, gas regulators, air supply inlets and public walkways as specified in the Exterior Flue Terminal Locations on page 8 and in your local building codes.

To determine the length of flue pipe required for vertical installations, measure the distance from the unit flue outlet to the ceiling, the ceiling thickness, the vertical rise in an attic or second storey, and allow for sufficient vertical height above the roof line.

For multi-storey applications, fire stops are required at each floor level. If an offset is needed, additional pipe, elbows and supports will be required.

Do not exceed the maximum number of elbows. One 90° for horizontal terminations and two 45° for vertical termination.

## DURA-FLUE FLUING COMPONENTS

You will require the following components with your new Regency® Room Sealed Freestanding Gas Stove. Please review your product to make sure you have everything you need. In the event that you are missing any part, contact your dealer.

**Note: These are the minimum pieces required. Other parts may be required for your particular installation. See page 12 for a list of flue parts.**

If installing termination on a siding covered wall, a vinyl siding standoff or furring strips can be used in order to ensure that the termination is not recessed into siding.

The vinyl siding standoff is required for walls with vinyl siding.

### Minimum components for a Dura-Flue Horizontal Installation:

- A) Dura-Flue Horizontal Termination Kit
- B) Wall Thimble (required for combustible walls)

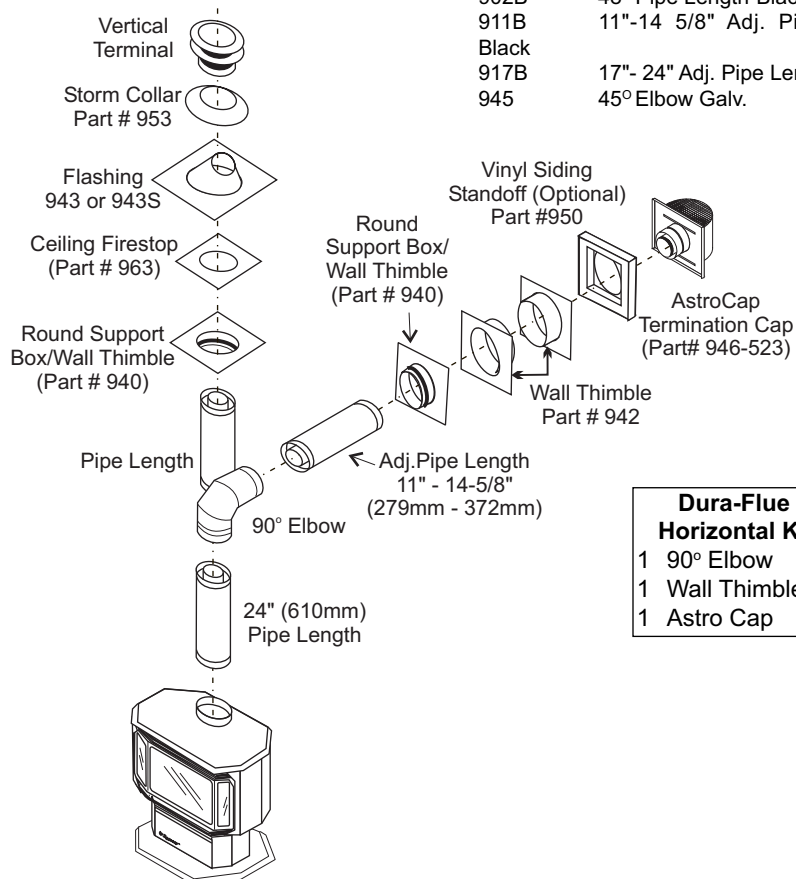
### Minimum components for a Dura-Flue Vertical Termination:

- C) Dura-Flue Vertical Termination Kit
- See page 12 for pipe lengths.

The Simpson Dura-Flue Room Sealed System offers a complete line of component parts for installation of both horizontal and vertical installation. Many items are offered in decorative black, as well as galvanized finish. The galvanized pipe

and fittings are used for concealed locations such as attics or where corrosion is a factor, such as above the roof line. Decorative brass trim kits are available for both wall thimbles and ceiling support boxes.

Part #	Description
971	Horiz. Termination Kit includes:
90°	90° black elbow, wall thimble cover, horiz. square termination cap,
24"	24" black pipe, 11" -14" 5/8" adjustable
970	Basic Horiz. Termination Kit includes: 90° black elbow, wall thimble cover, horiz. square termination cap
978	Vert. Termination Kit includes 0/12 - 6/12 pitch adjustable flashing, storm collar, low profile term. cap
908B	6" Pipe Length-Black
907B	9" Pipe Length-Black
906	12" Pipe Length Galv.
906B	12" Pipe Length-Black
904	24" Pipe Length Galv.
904B	24" Pipe Length-Black
903	36" Pipe Length Galv.
903B	36" Pipe Length-Black
902	48" Pipe Length Galv.
902B	48" Pipe Length-Black
911B	11"-14 5/8" Adj. Pipe Length-Black
917B	17"- 24" Adj. Pipe Length Black
945	45° Elbow Galv.



**Dura-Flue Basic Horizontal Kit # 970**  
 1 90° Elbow  
 1 Wall Thimble Cover  
 1 Astro Cap

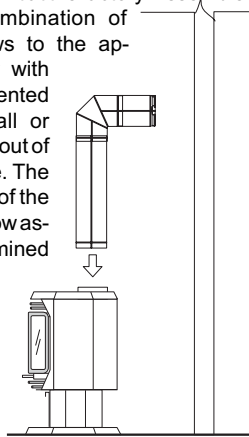
945B	45° Elbow-Black
945G	45° Elbow-Swivel Galv.
945BG	45° Elbow-Swivel-Black
990	90° Elbow Galv.
990B	90° Elbow-Black
990G	90° Elbow-Swivel Galv.
990BG	90° Elbow-Swivel-Black
991	High Wind Term. Cap (Vertical)
980	Vertical Term. Cap
982	Snorkel-14" Rise Term.Cap
981	Snorkel-36" Rise Term.Cap
940	Wall Thimble-Support/Box
941	Cathedral/Ceiling-Support/Box
3951	Brass Trim-Wall Thimble/ Ceiling Support
963	Firestop Spacer
943	Flashing 0/12-6/12
943S	Flashing 7/12-12/12
953	Storm Collar
950	Vinyl Siding Standoff
988	Wall Strap
942	Wall Thimble

**Parts not supplied by Dura-Flue**  
946-506/P Flue Guard (Optional)

## DURA-FLUE HORIZONTAL INSTALLATIONS

1) Set the unit in its desired location. Check to determine if wall studs or roof rafters are in the way when the fluing system is attached. If this is the case, you may want to adjust the location of the unit.

2) Room Sealed pipe and fittings are designed with special twist-lock connections to connect the fluing system to the appliance flue outlet. A twist-lock appliance adaptor is installed on the unit at the factory. Assemble the desired combination of pipe and elbows to the appliance adaptor with pipe seams oriented towards the wall or ceiling, as much out of view as possible. The final positioning of the pipe and 90° elbow assembly is determined by the mounting orientation of the adaptor on the stove and twist-locked for a solid connection.



**Note:**

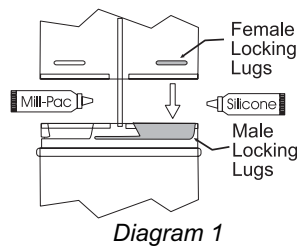
a) Twist-lock procedure: Four indentations, located on the female ends of pipes and fittings, are designed to slide straight onto the male ends of adjacent pipes and fittings, by orienting the four pipe indentations so they match and slide in to the four entry slots on the male ends

(diagram 1). Push the pipe sections completely together, then twist-lock one section clockwise approximately one-quarter turn, until the two sections are fully locked. The female locking lugs will not be visible from the outside on the Black Pipe or fittings. They may be located by examining the inside of the female ends. Apply sealant "Mill-Pac" to inner pipe and high temp silicone sealant to outer pipe on every twist-lock joint.

*Hint: Apply silicone to female end.*

b) Horizontal runs of flue must be supported every three feet. Wall straps are available for this purpose.

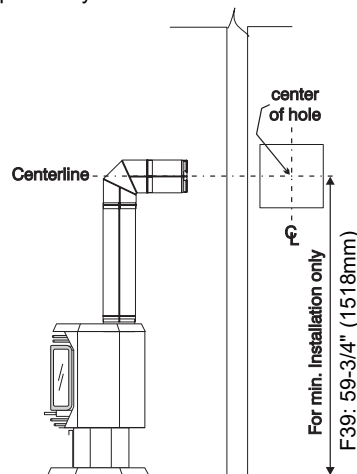
3) With the pipe attached to the stove, slide the stove into its correct location, and mark the wall for a 10" x 10" (inside dimensions) square hole. The center of the square hole should line up with the centerline of the



horizontal pipe, as shown in diagram 2. Cut and frame the 10 inch square hole in the exterior wall where the flue will be terminated. If the wall being penetrated is constructed of non-combustible material, i.e. masonry block or concrete, a 7" diameter hole is acceptable.

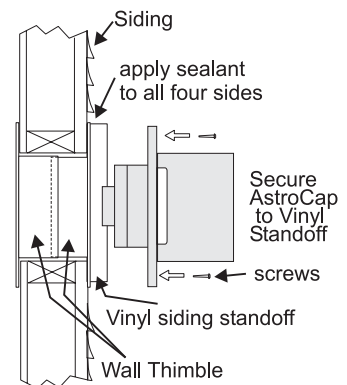
**Note:**

a) The horizontal run of flue should have a 1/4 inch rise for every 1 foot of run towards the termination. Never allow the flue to run downward. This could cause high temperatures and may present the possibility of a fire.



b) The location of the horizontal flue termination on an exterior wall must meet all local and national building codes, and must not be blocked or obstructed. For External Flue Terminal Locations diagram, refer to "Exterior Flue Termination Location" section.

4) If installing the flue termination to a wall with vinyl siding, the Vinyl Siding Standoff must be used. Attach the Vinyl Siding Standoff to the Horizontal Flue Termination, but first run a bead of non-hardening mastic around its outside edges, so as to make a seal between flue cap and the standoff. Install the Vinyl Siding Standoff (Part # 950) between the flue cap and the exterior wall and attach with the four wood screws provided. Seal around the Vinyl Siding Standoff on all four sides. **Diagram 5. The arrow on the flue cap should be pointing up.** Insure that the 1-1/4" clearances to combustible materials are maintained. See diagram 5.



Note: If installing termination on a siding covered wall, a vinyl siding standoff or furring strips must be used to ensure that the termination is not recessed into the siding. The four wood screws provided should be replaced with appropriate fasteners for stucco, brick, concrete, or other types of sidings.

5) Before connecting the horizontal run of flue pipe to the flue termination, slide the black decorative wall thimble cover over the flue pipe, then slide the Wall Thimble (Part # 942) over the flue pipe.

6) Slide the appliance and flue assembly towards the wall carefully inserting the flue pipe into the flue cap assembly. It is important that the flue pipe extends into the flue cap a sufficient distance so as to result in a minimum pipe overlap of 1-1/4 inches. Secure the connection between the flue pipe and the flue cap using sheet metal screws provided. See diagram 6.

7) Install the Wall Thimble in the center of the 10" square and attach with wood screws.



# INSTALLATION

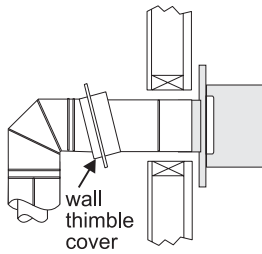


Diagram 6

- 8) Slide the decorative wall thimble up to the wall surface being careful not to scratch the paint and attach with screws provided. Apply decorative brass or chrome trim if desired. See diagram 7.

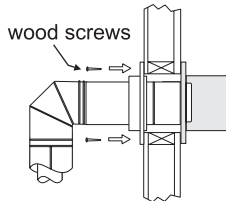


Diagram 7

## DURA-FLUE VERTICAL TERMINATION

- 1) Maintain the 1-1/4" clearances (air spaces) to combustibles when passing through ceilings, walls, roofs, enclosures, attic rafter, or other nearby combustible surfaces. Do not pack air spaces with insulation. Check page 9 for the maximum vertical rise of the fluing system and the maximum horizontal offset limitations.
- 2) Set the gas appliance in its desired location. Drop a plumb bob down from the ceiling to the position of the appliance flue exit, and mark the location where the flue will penetrate the ceiling. Drill a small hole at this point. Next, drop a plumb bob from the roof to the hole previously drilled in the ceiling, and mark the spot where the flue will penetrate the roof. Determine if ceiling joists, roof rafters or other framing will obstruct the fluing system. You may wish to relocate the appliance or to offset, as shown in diagram 9 to avoid cutting load bearing members.

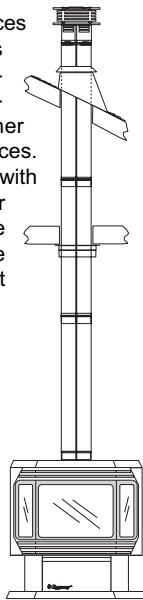


Diagram 8

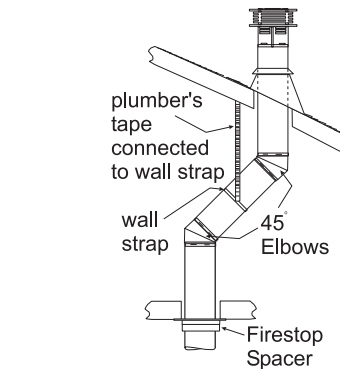


Diagram 9

- 3) To install the Round Support Box/Wall Thimble in a flat ceiling, cut a 10 inch square hole in the ceiling centred on the hole drilled in Step 2. Frame the hole as shown in diagram 10.

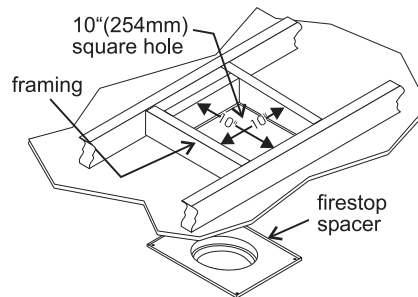


Diagram 10

- 4) Assemble the desired lengths of black pipe and elbows necessary to reach from the appliance adaptor up through the Round Support Box. Insure that all pipes and elbow connections are in the fully twist-locked position and sealed.
- 5) Cut a hole in the roof centred on the small drilled hole placed in the roof in Step 2. The hole should be of sufficient size to meet the minimum requirements for clearance to combustibles of 1-1/4". Slip the flashing under the shingles (shingles should overlap half the flashing) as per diagram 11.

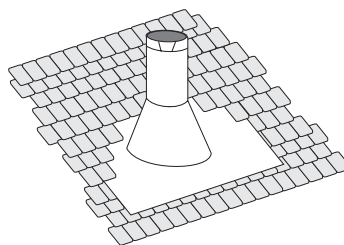


Diagram 11: The upper half of the flashing is installed under the roofing material and not nailed down until the chimney is installed. This allows for small adjustments.

- 6) Continue to assemble pipe lengths.

**Note:** If an offset is necessary in the attic to avoid obstructions, it is important to support the flue pipe every 3 feet, to avoid excessive stress on the elbows, and possible separation. Wall straps are available for this purpose. See diagram 7.

Galvanized pipe and elbows may be utilized in the attic as well as above the roofline. The galvanized finish is desirable above the roofline due to its higher corrosion resistance.

Continue to add pipe sections through the flashing until the height of the flue cap meets the minimum height requirements specified in diagram 12 or local codes. Note that for steep roof pitches, the vertical height must be increased. A poor draft, or down drafting can result from high wind conditions near big trees or adjoining roof lines, in these cases, increasing the flue height may solve the problem.

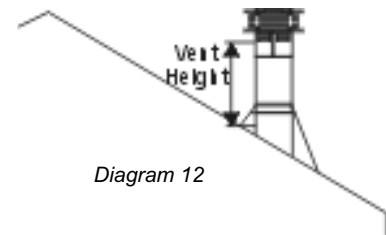


Diagram 12

Roof Pitch	Minimum Flue Height	
	Feet	Meters
flat to 7/12	2	
0.61		
over 7/12 to 8/12	2	0.61
over 8/12 to 9/12	2	0.61
over 9/12 to 10/12	2.5	0.76
over 10/12 to 11/12	3.25	0.99
over 11/12 to 12/12	4	1.22
over 12/12 to 14/12	5	1.52
over 14/12 to 16/12	6	1.83
over 16/12 to 18/12	7	2.13
over 18/12 to 20/12	7.5	2.29

- 7) Ensure flue is vertical and secure the base of the flashing to the roof with roofing nails, slide storm collar over the pipe section and seal with a mastic.
- 8) Install the vertical termination cap by twist locking it.

**Notes:**

- a) For multistorey vertical installations, a Ceiling Fire stop (Part #963) is required at the second floor, and any subsequent floor. Diagram 13. The opening should be framed to 10" x 10" inside dimen-

sions, in the same manner as shown in diagram 10.

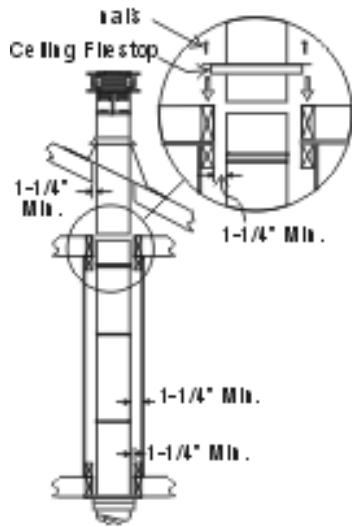
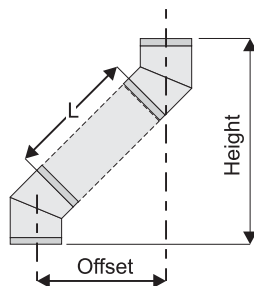


Diagram 13

## Offset Chart

GS 6" (152mm) Nominal Diameter ID					
Offset		Pipe Length (L)		Height	
inches	mm	inches	mm	inches	mm
4 3/4	121	0	0	13 1/4	337
9	229	6	152	17 1/2	445
11 1/4	286	9	229	19 1/2	495
13 1/4	337	12	305	21 3/4	552
21 3/4	552	24	610	30 1/4	768
30 1/4	768	36	914	39	991
38	965	48	1219	47	1194



- b) Any occupied areas above the first floor, including closets and storage spaces, through which the vertical flue passes, must be enclosed.

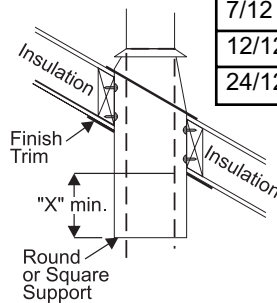
## CATHEDRAL CEILINGS

### Round Support (RDS) & Square Support (SQS)

If your home has a cathedral ceiling (no attic space between the ceiling and the roof), install the chimney and support as follows.

- 1) Situate the chimney in a convenient location as near as possible to the appliance outlet. Cut and frame a hole in the roof for the support. The sides of this hole must be vertical with 1 1/4" clearance.
- 2) Place the support in the opening. Lower it to the correct height as determined by the table and diagram below.

Slope	"X"
0/12 - 2/12	4"
2/12 - 7/12	5-1/2"
7/12 - 12/12	6-3/4"
12/12 - 24/12	7-1/2"
24/12+	12-1/2"



Using a level, make sure the support is vertical. If the support extends above the roof, cut it flush with the top of the roof. Nail the support to the frame opening using (8) 3" spiral nails or #8 x 1-1/2" screws.

**Note:** If you are using a 6" square support you may find it difficult to screw it in place because it is fairly small inside.

Simpson Dura-Flue has provided angle brackets with this support which can be screwed to the outside of the support box and nailed to surrounding framing as required. Use a minimum of four #8 x 1/2" screws per bracket. In some cases these brackets may need to be trimmed (e.g.: to fit under a flashing). Place the Finish Collar around the support and fasten it to the ceiling using the screws provided.

- 3) Use appropriate roof flashing. Place the flashing under the upper shingles and on top of the lower shingles approximately half of the flashing should be under the shingles.
- 4) Assemble the desired lengths of Black Pipe and Elbows necessary to reach from the appliance adaptor up through the support box and flashing to proper height as per Dia. 12, local codes or page 9. Ensure that all pipe and elbow connections are in their fully twist lock position.
- 5) Ensure flue is vertical and secure flashing to the roof with roofing nails. Slide the storm collar over the pipe section and seal with a mastic.

- 6) Twist lock the flue cap on to the last section.

### Support Extensions - Round (RDSE) or Square (SQSE)

Steep pitched cathedral ceilings may require the use of a support extension. This piece fits down inside the support and can be adjusted to increase the support's length by up to 22". The extension is attached to the support using the eight metal screws provided. Be sure there is at least a 2 inch overlap where the extension joins the support.

## GAS CONNECTION

The gas connection is a 3/8" NPT 90° elbow. The gas line can be rigid pipe or to make installation easier, use a listed flexible connector and/or copper tubing if allowed by local codes. Since some municipalities have additional local codes it is always best to consult with your local authorities and the CAN/CGA B149 installation codes.

When using copper or flex connectors use only approved fittings. Always provide a union so that gas lines can be easily disconnected for burner and/or valve servicing. Flare nuts for copper lines and flex connectors are usually considered to meet this requirement.

**Important:** Always check for gas leaks with a soap and water solution or gas leak detector. Do not use open flame for leak testing.

**Note:** Prior to any pressure testing of the gas supply piping system that exceeds test pressures of 3.45 kPa, this appliance must be disconnected from the piping system. If test pressures equal to or less than 3.45 kPa are used then this appliance must be isolated from the piping system by closing its individual manual shut-off valve during the testing.

## GAS PIPE PRESSURE TESTING

The appliance must be isolated from the gas supply piping system by closing its individual manual shut-off valve during any pressure testing of the gas supply piping system at test pressures equal to or less than 3.45 kPa. Disconnect piping from valve at pressures over 3.45 kPa.

The manifold pressure is controlled by a regulator built into the gas control, and should be checked at the pressure test point.



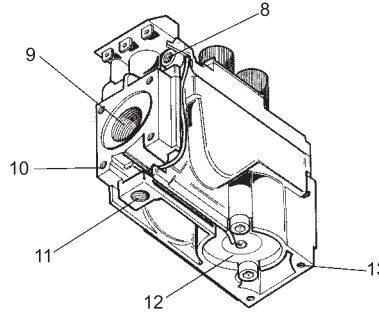
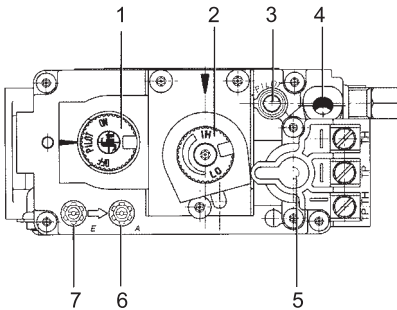
# INSTALLATION

**Note:** To properly check gas pressure, both inlet and manifold pressures should be checked using the valve pressure ports on the valve.

- 1) Make sure the valve is in the "OFF" position.
- 2) Loosen the "IN" and/or "OUT" pressure tap(s), turning counterclockwise with a 1/8" wide flat screwdriver.
- 3) Attach manometer to "IN" and/or "OUT" pressure tap(s) using a 5/16" ID hose.
- 4) Light the pilot and turn the valve to "ON" position. Read manometer.
- 5) The pressure check should be carried out with the unit burning and the setting should be within the limits specified on the safety label.
- 6) When finished reading manometer, turn off the gas valve, disconnect the hose and tighten the screw (clockwise) with a 1/8" flat screwdriver. **Note: Screw should be snug, but do not over tighten**

## Valve Description

- 1) Gas on/off knob
- 2) Manual high/low adjustment
- 3) Pilot Adjustment
- 4) Thermocouple Connection
- 5) Main Operator
- 6) Outlet Pressure Tap (Manifold Pressure)
- 7) Inlet Pressure Tap (Supply Pressure)
- 8) Pilot Outlet
- 9) Main Gas Outlet
- 10) Flange Securing Screw Holes
- 11) Alternative TC Connection Point
- 12) Thermoelectric Unit
- 13) Additional Valve Mounting Hole



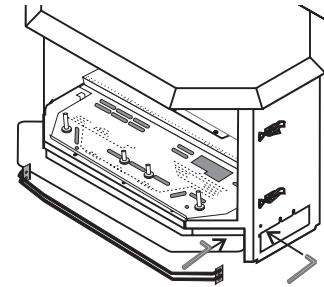
System Data F39 with 40mj		
Burner Inlet Orifice Sizes:		
	NG	LPG
Burner	#32 2.95mm	#50 1.78mm
Max. Input	NG	40 Mj/h
	LPG	38 Mj/h
Min. Input	NG	20 Mj/h
	LPG	19 Mj/h
Supply Pressure		
	NG	min. 1.13 kPa
	LPG	min. 2.75 kPa
Manifold Pressure		
	NG	.94 kPa
	LPG	2.55kPa
Electrical: 240 V. 1.13A 60Hz. Circulation: 2 speed fan, 125/75 CFM. Log Set: Ceramic fiber, 7 per set.		
System Data F39 Converted to 31mj		
Burner Inlet Orifice Sizes:		
	NG	#37 2.65mm
	LPG	#52 1.6mm
Max. Input - NG/LPG 31 Mj/h		
Min. Input - NG/LPG 16 Mj/h		
Supply Pressure		
	NG	min. 1.13 kPa
	LPG	min. 2.75 kPa
Manifold Pressure		
	NG	.89 kPa
	LPG	2.55kPa
Electrical: 240 V. 1.13A 60Hz. Circulation: Variable speed fan, 125/75 CFM. Log Set: Ceramic fiber, 7 per set.		

## AERATION ADJUSTMENT

The burner aeration is factory set but may need adjusting due to either the local gas supply or altitude.

F39 with 40mj		
F39-NG	NG:	Full open
F39-LPG	LPG:	Full open

F39 with 31mj		
F39-NG	NG	6mm open
F39-LPG	LPG	10mm open



**Note:** Any damage due to carboning resulting from improperly setting the aeration controls is NOT covered under warranty.

## CONVERSION KIT #731-968 FROM NG TO LPG

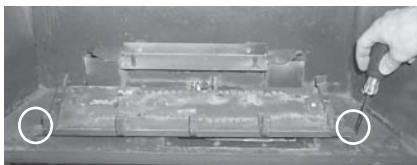
**THIS CONVERSION MUST BE DONE BY AN AUTHORIZED GAS FITTER IF IN DOUBT DO NOT DO THIS CONVERSION !!**

### Conversion Kit Contains:

Qty.	Part #	Description
1	904-390	Burner Orifice #52
1	904-529	5/32" Allen Key
1	918-590	Label "Converted to LPG"
1	908-528	Red "LPG" label
1	910-037	LPG Injector (Pilot Orifice)
1	918-484	Instruction Sheet

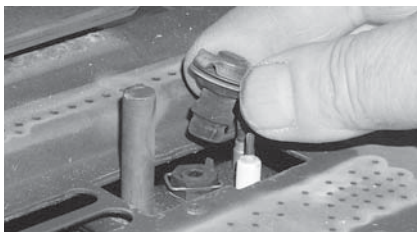
### 1) Shut off the gas supply.

- 2) Remove the louvers (and bay door if it is installed).
- 3) Open the flush door and remove the door.
- 4) Remove the logs and embers (if used).
- 5) Remove the 2 screws holding the Burner Assembly to the firebox base. Push the Burner Assembly to the left and lift out.

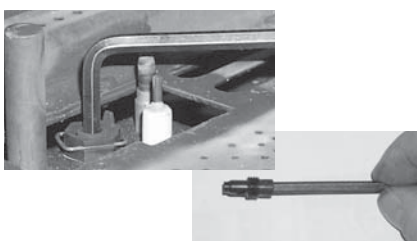


Remove the 2 screws, push Burner Assembly to the left and lift out.

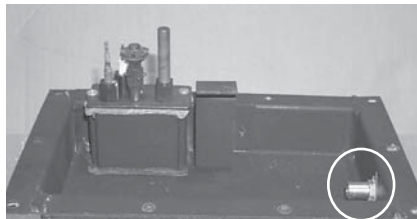
- 6) Pull off the pilot cap to expose the pilot orifice.



- 7) Unscrew the pilot orifice with the allen key; then replace with the LPG pilot orifice and the pilot cap, provided in the kit.



- 8) Remove burner orifice with a 1/2" wrench. Use another wrench to hold on to the elbow behind the orifice. Discard orifice.



Burner Orifice

- 9) Reinstall new burner orifice LPG stamped #52 and tighten.
- 10) Turn control knob to the "OFF" position.
- 11) Remove the black protection cap by hand from the hi-low knob (Fig.1).

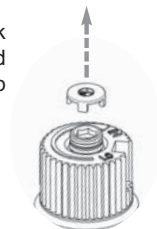


Fig. 1



Fig.2

- 12) Insert a 5/32" or 4mm Allen wrench into the hexagonal key-way of the screw (Fig. 2), rotate it counter-clockwise until it is free and extract it.

- 13) Check that the screw is clean and if necessary remove dirt.

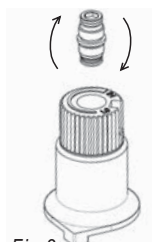


Fig.3

- 14) Flip the screw (Fig. 3).

- 15) Using the Allen wrench as shown in Fig.4, rotate the screw clockwise until snug, do not overtighten.

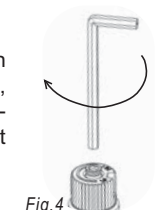


Fig.4

### WARNING!

**Do not over tighten the screw. Recommended to grip the wrench by the short side.**

- 16) Verify that if the conversion is from NG to LPG, the screw must be re-assembled with the red o-ring visible (Fig. 5).

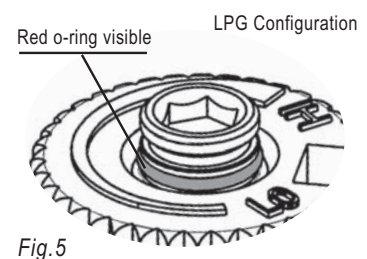


Fig.5

- 17) Re-assemble the black protection cap (Fig. 6).

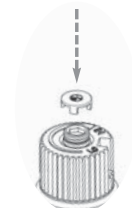


Fig.6

- 18) Reverse step 2).

### WARNING!

**Also check that the pilot and main burner injectors are appropriate for the gas type.**

- 19) Attach the label "This unit has been converted to LPG" near or on the serial # decal.
- 20) Replace yellow "NG" label with red "LPG" label.
- 21) Check for gas leaks.
- 22) Check inlet and outlet pressures.
- 23) Check operation of flame control.
- 24) Check for proper flame appearance and glow on logs.

# INSTALLATION

## CONVERSION TO LOWER BTU RATING

**THIS CONVERSION MUST BE DONE BY AN AUTHORIZED GAS FITTER IF IN DOUBT DO NOT DO THIS CONVERSION !!**

### NG Conversion Kit 730-920

#### Contains:

Qty.	Part #	Description
1	904-240	Burner Orifice #37 (NG)
1	918-034	Decal "Converted to 30,000 Btu"
1	918-033	Instruction Sheet

### LPG Conversion Kit 730-922

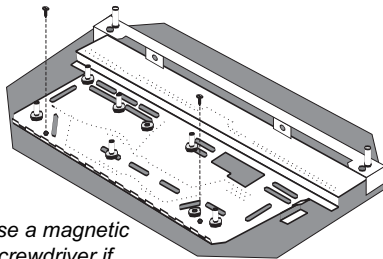
#### Contains:

Qty.	Part #	Description
1	904-390	Burner Orifice #52 (LPG)
1	918-034	Decal "Converted to 30,000 Btu"
1	918-033	Instruction Sheet

### Additional Piece (pkg. with unit):

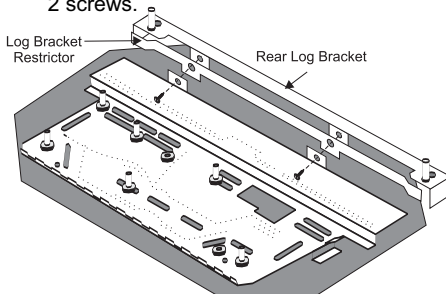
1	Log Bracket Restrictor
---	------------------------

- 1) Shut off the gas supply.
- 2) Open the front door. Carefully remove the logs and lava rock.
- 3) Remove burner. See diagram below.



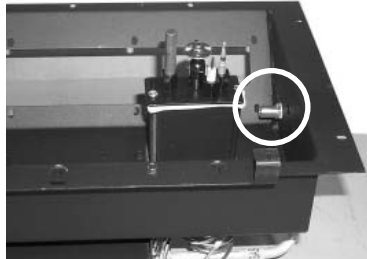
Note: Use a magnetic type screwdriver if possible.

- 4) Unscrew the 2 Rear Log Pins and move to the front hole position.
- 5) Remove Rear Log Bracket and slide the Log Bracket Restrictor between the Rear Log Bracket and the burner, secure with the 2 screws.



Position the Log Bracket Restrictor between the Rear Log Bracket and the burner.

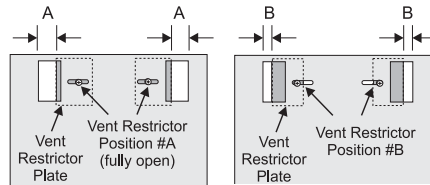
- 6) Remove burner orifice with a 1/2" spanner and discard.



Burner Orifice

- 7) Reinstall new burner orifice (NG stamped #37 or LPG stamped #52) and tighten.
- 8) Reverse steps 3) and 2).
- 9) Adjust Flue restrictor setting: To set the Flue restriction as indicated in the diagram, simply loosen the screws and push the flue restrictor plate to the correct position. Tighten the screws.

Unit	Btu/h	Restrictor Opening
F39	40 Mj/h	A 45mm
	31 Mj/h	B 35mm



Flue Restrictor setting at High Btu/h

Flue Restrictor setting at Low Btu/h

- 10) Attach the label "This unit has been converted to..." on top of the data badge over the higher Btu information.
- 11) Check for gas leaks.
- 12) Check inlet and outlet pressures.
- 13) Check operation of flame control. Check for proper flame appearance on logs.

## LOG SET INSTALLATION

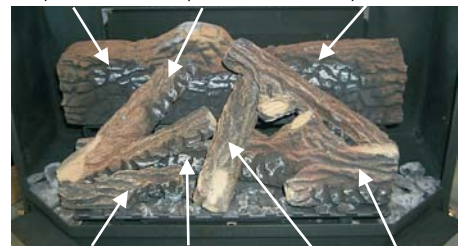
Read the instructions below carefully and refer to the diagrams. If logs are broken do not use the unit until they are replaced. Broken logs can interfere with the pilot operation.

The gas log kit contains the following:

a)	02-65	Rear Log	
b)	02-56	Middle Left Log	
c)	02-44	Front Left Log	
d)	02-46	Left Top Log	
e)	02-45	Front Right Log	
f)	02-47	Center Log	
g)	02-48	Middle Right Log	
h)	Embers		902-151
i)	Lava		902-154

**Note: Install Optional Brick Panels prior to installing logs.**

A) 02-65 D) 02-46 G) 02-48



C) 02-44 B) 02-56 F) 02-47 E) 02-45

The "02" refer numbers (i.e. 02-65) are molded into the rear of each log.

- 1) Carefully remove the logs from the box and unwrap them. The logs are fragile, handle with care - do not force into position.
- 2) Sprinkle the embers on the left and right sides of the firebox base.



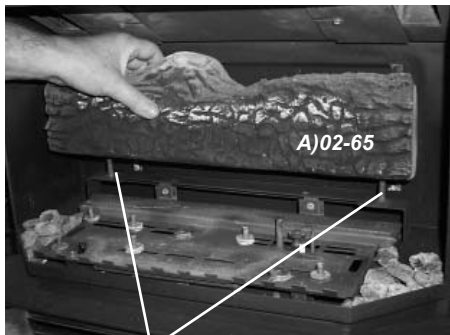
Embers

Embers



# INSTALLATION

- 3) Place Rear Log A)02-65 on the two pins on the rear log support.

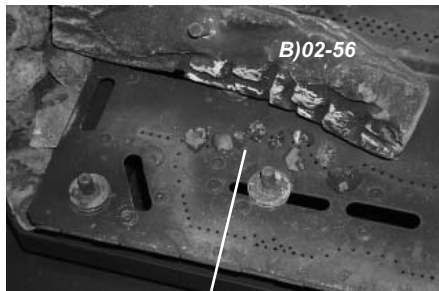


Pins on Rear Log Support

- 4) Place the Middle Left Log B)02-56 on the two pins as shown.



- 5) Sprinkle some lava rock just in front of B)02-56 on the burner holes.

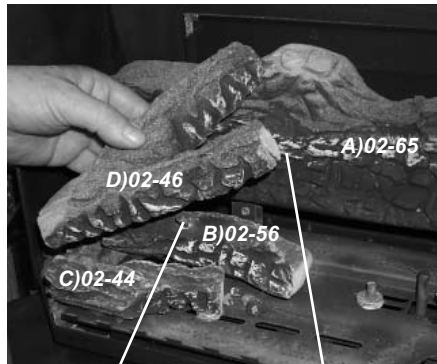


lava rock

- 6) Place Front Left Log C)02-44 onto the 2 front pins as shown.



- 7) Place the Left Top Log D)02-46 on the pin on Log B)02-56 and on top of the cutout on Log A)02-65.



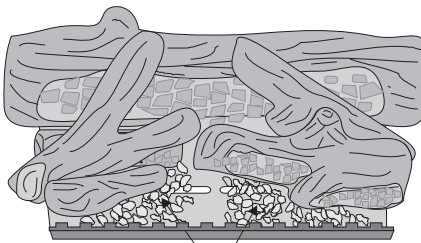
Pin

Cutout

- 8) Place Front Right Log E)02-45 on the two pins as shown.

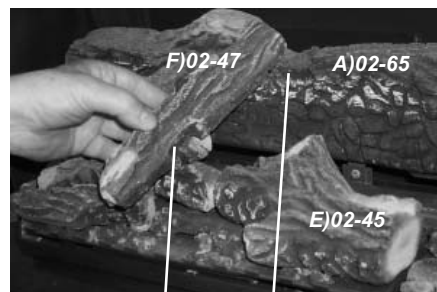


- 9) Place the lava rock in the area between the left and right logs, leaving a space in the middle for log (F) 02-47.



lava rocks

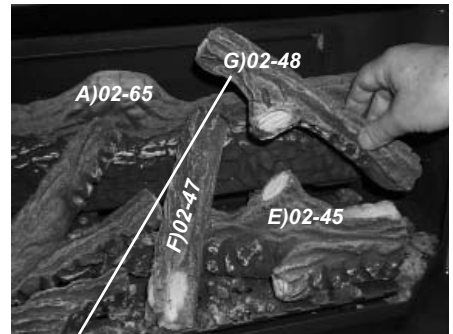
- 10) Place the notch in Center Log F)02-47 over Log E)02-45 and across the cutout on Log A)02-65.



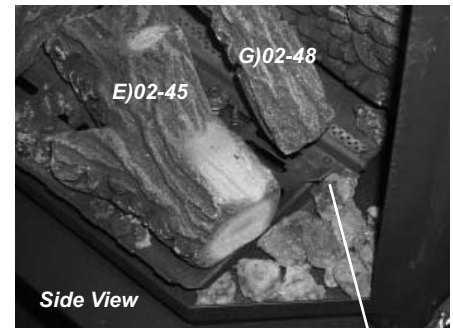
Notch

Cutout

- 11) Position notch in Front Right Log G)02-48 on Log F)02-47 and push the bottom right edge against the bracket on the burner tray.



Notch

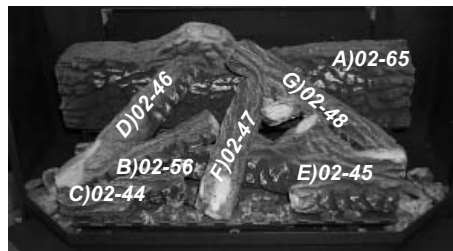


Side View

Bracket

The bottom right edge of Log G)02-48 must sit snugly against the bracket

- 12) Test fire to ensure proper light off (make sure flame flows smoothly from one end of burner to the other. If there is any flame hesitation, check that area for any blockage of the burner port.



# INSTALLATION

## FRONT DOOR INSTALLATION (packaged separately)

1) Open the two side panels.

2) Slide the door onto the two hinge pins making sure the two pieces are flush together. See diagram 1.

3) Close the door. The latch plate must be centered around the alignment pin. See diagram 2. If the latch plate interferes with the corner of the stove you may want to angle the plate slightly so the door closes easier.

4) The latches should already be at the proper setting. If they are too hard or too easy to close, you may want to adjust them by loosening the latch catch. See diagram 3.

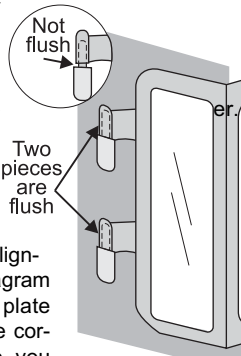


Diagram 1

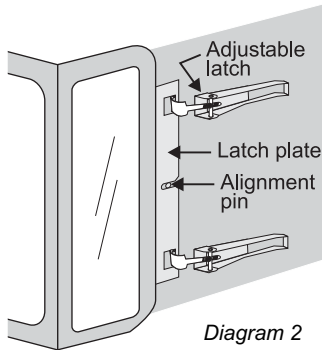


Diagram 2

5) Remove the blue plastic protective coating from the glass.

6) Test the seal around the door by placing a piece of paper between the unit and the door, close the door and try to pull the paper out. If it slips out easily, then the door is not properly sealed. Tighten or loosen the latch. See diagram 3.

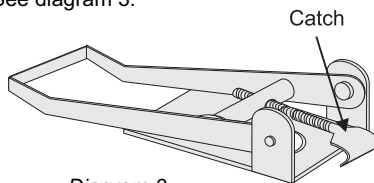


Diagram 3

**Note:** The door latch may require adjustment as the door gasket material compresses after a few fires and after glass replacement. Turn the latch catch inward or outward to loosen or tighten.

## OPTIONAL WALL THERMOSTAT

A wall thermostat may be installed if desired. Connect the wires as per the wiring diagrams. Note that the wires are connected to the "TH" on the gas valve. Use table below to determine the maximum wire length:

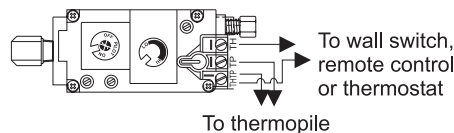
**Note:** Preferable if the thermostat is installed on an interior wall.

Regency® offers an optional programmable thermostat but any 250-750 millivolt rated non-anticipator type thermostat that is CSA, ULC or UL approved may be used.

**CAUTION**  
Do not connect the millivolt wall thermostat wires to the 240V wires.

### Thermostat Wire Table

Recommended Maximum Lead Length (Two-Wire) When Using Wall Thermostat (CP-2 System)	
Wire Size	Max. Length
14 GA.	15.24 m
16 GA.	9.75 m
18 GA.	6.10 m
20 GA.	3.66 m
22 GA.	2.71 m



## OPTIONAL REMOTE CONTROL

Use the Regency® Remote Control Kit approved for this unit. Use of other systems may void your warranty.

The remote control kit comes with a hand held transmitter, a receiver and a wall mounting plate.

- 1) Choose a convenient location on the wall to install the receiver and the receptacle box (protection from extreme heat is very important). Run wires from the fireplace to that location, use Thermostat Wire Table.
- 2) Connect the wires as per the wiring diagram above.

**CAUTION**  
Do not connect the millivolt remote control wires to the 240V wires.

- 3) Install 3 AAA alkaline batteries in transmitter and 4 AA alkaline batteries in the receiver. Install the receiver and its cover in the wall. Switch the remote receiver to "remote" mode. The remote control is now ready for operation.

## FINAL CHECK

Before leaving this unit with the customer, the installer must ensure that the appliance is firing correctly. This includes:

- 1) Locking the appliance to ensure the correct firing rate (rate noted on label) at 15 minutes.
- 2) If required, adjusting the primary air to ensure that the flame does not carbon. First allow the unit to burn for 15 min. to stabilize.
- 3) Check for proper draft.

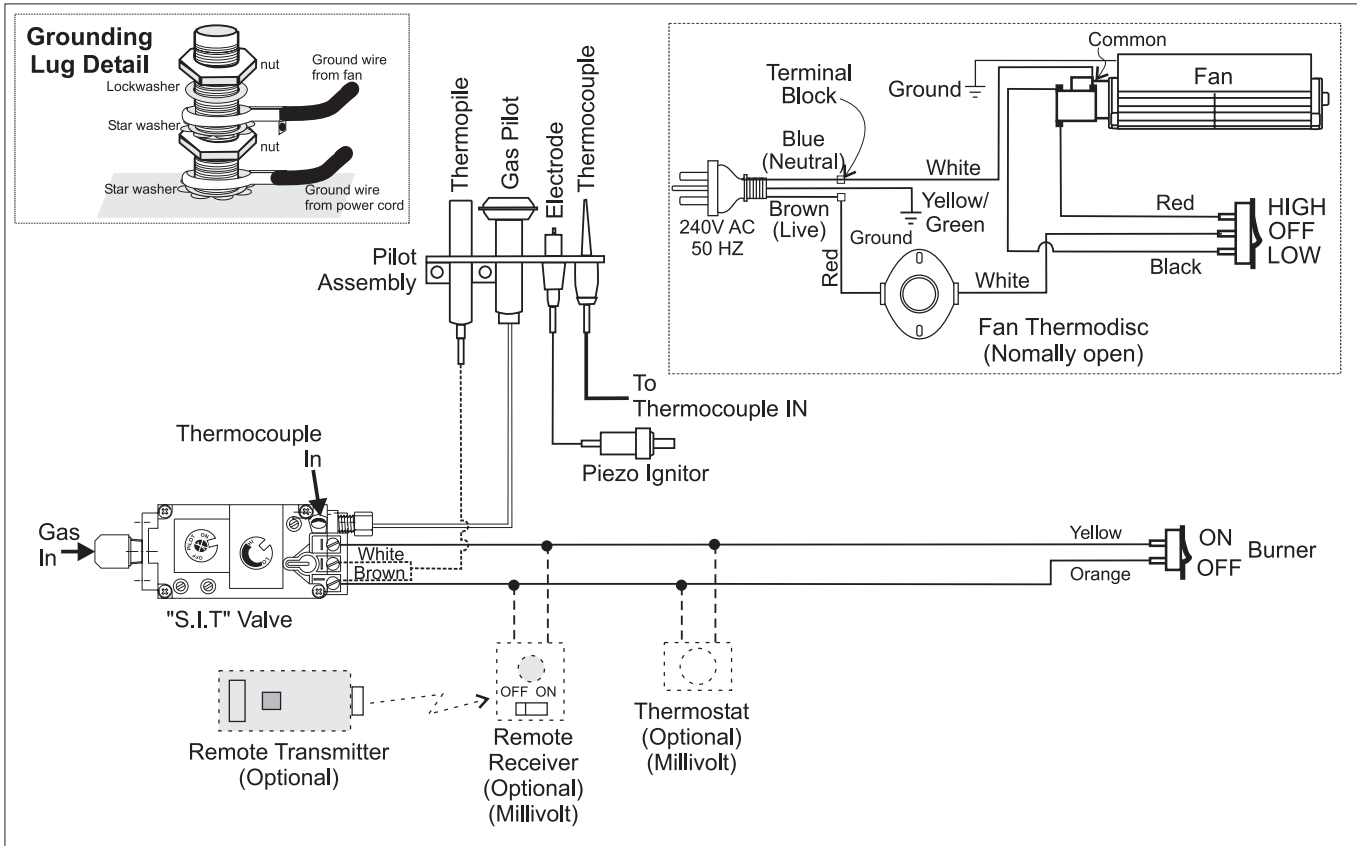
**CAUTION**  
Any alteration to the product that causes sooting or carboning that results in damage to the exterior facia is not the responsibility of the manufacturer.

## WIRING

This heater does not require a 240V A.C. supply for the gas control to operate. A 240V A.C. power supply is needed for the fan/blower operation.

**Caution: Ensure that the wires do not touch any hot surfaces and are away from sharp edges.**

**CAUTION: Label all wires prior to disconnection when servicing controls. Wiring errors can cause improper and dangerous operation.**



### WARNING: Electrical Grounding Instructions

This appliance is equipped with a three pronged (grounding) plug for your protection against shock hazard and should be plugged directly into a properly grounded three-prong receptacle. Do not cut or remove the grounding prong from

# OPERATING INSTRUCTIONS

## OPERATING INSTRUCTIONS

Before operating this appliance, proceed through the following check list.

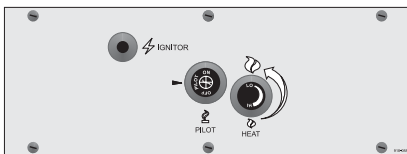
- 1) Read and understand these Instructions before operating this appliance.
- 2) Check to see that all wiring is correct and enclosed to prevent possible shock.
- 3) Check to ensure there are no gas leaks.
- 4) Make sure the three pieces of door glass are properly positioned. Never operate the appliance with any of the glass removed or with the door open.
- 5) Verify that all fluing and the cap is unobstructed.
- 6) Verify log placement. If the pilot cannot be seen when lighting the unit - the logs or the embers have been incorrectly positioned.
- 7) The unit should never be turned off and on without a minimum of a 60 second wait.

## LIGHTING INSTRUCTIONS

**IMPORTANT:** The PILOT knob cannot be turned from *pilot* to *off* unless it is partially depressed.

**Note:** Open the pedestal door of the unit before lighting the pilot. Once the pilot is lit, close the door. You should never operate the unit with the door open.

- 1) If the PILOT knob is in the *off* position proceed to Step 4.
- 2) Push in PILOT knob slightly and turn clockwise to *off*. Knob cannot be turned from *pilot* to *off* unless knob is pushed in slightly. Do not force.



- 3) Wait five minutes to allow gas, that may have accumulated in the main burner compartment, to escape. If you smell gas, follow the instructions on the front of this manual. If you don't smell gas continue on to the next step.

- 4) Turn the PILOT knob counterclockwise to *pilot* and align it with the arrow as shown in diagram above.
- 5) Push in PILOT knob all the way in and hold. Immediately push IGNITOR button until pilot lights. Continue to hold the PILOT knob in for approximately one minute, then release the PILOT knob. The pilot flame should continue to burn. If the pilot does not remain lit, repeat operation allowing a longer period before releasing PILOT knob.
- 6) Turn PILOT knob counter clockwise to *on*.
- 7) Use the Burner ON/OFF switch to turn on the burner.
- 8) Rotate the HEAT control to adjust the flame height *higher* or *lower*.

## SHUTDOWN INSTRUCTIONS

- 1) Use the Burner ON/OFF switch, thermostat or remote control to turn off the burner.
- 2) Push in the PILOT knob slightly and turn clockwise to *off*. Do not force.
- 3) Turn off all electric power to the appliance if service is to be performed.

## FIRST FIRE

The **FIRST FIRE** in your stove is part of the paint curing process. To ensure that the paint is properly cured, it is recommended that you burn your fireplace for at least four (4) hours the first time you use it with the fan on. When first operated, the unit will release an odour caused by the curing of the paint and the burning off of any oils remaining from manufacturing. Smoke detectors in the house may go off at this time. Open a few windows to ventilate the room for a couple of hours. The glass may require cleaning.

**DO NOT ATTEMPT TO CLEAN THE GLASS WHILE IT IS STILL HOT!**

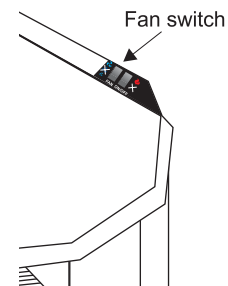
**Note:** When the glass is cold and the appliance is lit, it may cause condensation and fog the glass. This condensation is normal and will disappear in a few minutes as the glass heats up.

**DO NOT BURN THE APPLIANCE WITHOUT THE GLASS FRONT IN PLACE.**

During the first few fires, a white film may develop on the glass front as part of the curing process. The glass should be cleaned or the film will bake on and become very difficult to remove. Use a non-abrasive cleaner and NEVER clean the glass while it is hot.

## AUTOMATIC CONVECTION FAN OPERATION

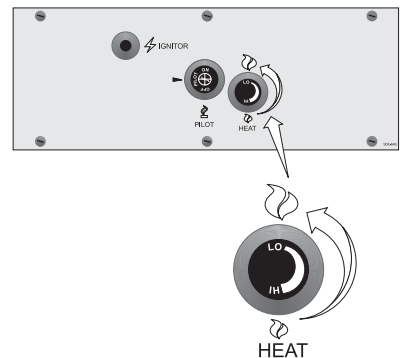
Set the fan speed on control panel at the top rear of the unit to adjust to the desired speed. The fan will turn on as the stove comes up to operating temperature. After the unit has been turned off and the unit cooled to below a useful heat output range the fan will shut off automatically.



## ADJUSTING FLAME HEIGHT

Your heater has an adjustable flame to tailor the look and heat output to your specific needs. It is adjusted by turning the flame adjustment dial on the gas control valve.

Turn clockwise to adjust the flame higher, counterclockwise for a lower flame.





## COPY OF THE LIGHTING PLATE INSTRUCTIONS

FOR YOUR SAFETY READ BEFORE LIGHTING

This appliance must be installed in accordance with local codes, if any; if none, follow the National Fuel Gas Code, ANSI Z223.1/NFPA 54, or Natural Gas and Propane Installation Codes, CSA B149.1. (Australia: AS5601-2004, New Zealand: NZS 5261)

**WARNING:** If you do not follow these instructions exactly, a fire or explosion may result causing property damage, personal injury or loss of life. Improper installation, adjustment, alteration, service or maintenance can cause injury or property damage. Refer to the owner's information manual provided with this appliance. For assistance or additional information consult a qualified installer, service agency or gas supplier.

<p>A) This appliance has a pilot which must be lighted by hand, following the instructions below exactly.</p> <p>B) BEFORE LIGHTING smell all around the appliance area for gas. Be sure to smell next to the floor because some gas is heavier than air and will settle on the floor.</p> <p><b>WHAT TO DO IF YOU SMELL GAS</b></p> <ul style="list-style-type: none"> <li>- Do not try to light any appliance</li> <li>- Do not touch any electric switch, do not use any phone in your building</li> <li>- Immediately call your gas supplier from a neighbors phone. Follow the gas supplier's instructions.</li> <li>- If you cannot reach your gas supplier, call the fire department.</li> </ul> <p>C) Use only your hand to push in or turn the gas control knob. Never use tools. If the knob will not push in or turn by hand, don't try to repair it, call</p>	<p>a qualified service technician. Force or attempted repair may result in a fire or explosion.</p> <p>D) Do not use this appliance if any part has been under water. Immediately call a qualified service technician to inspect the appliance and to replace any part of the control system and any gas control which has been under water.</p> <p>This appliance needs fresh air for safe operation and must be installed so there are provisions for adequate combustion and ventilation air.</p> <div style="border: 1px solid black; padding: 5px; margin-top: 10px;"> <p><b>CAUTION: Hot while in operation. Do not touch. Severe Burns may result. Due to high surface temperatures keep children, clothing and furniture, gasoline and other liquids having flammable vapors away. Keep burner and control compartment clean. See installation and operating instructions accompanying appliance.</b></p> </div>
---	--

LIGHTING INSTRUCTIONS

**STOP!** Read the safety information above on this label.

- 1) Push in gas control knob slightly and turn clockwise to "OFF". Knob cannot be turned from "PILOT" to "OFF" unless knob is pushed in slightly. Do not force.
- 2) Wait five (5) minutes to clear out any gas. If you then smell gas **STOP!** follow "B" in the safety information above on this label. If you don't smell gas, go to the next step.
- 3) Turn knob on gas control counterclockwise to "PILOT".
- 4) Push in control knob all the way and hold in. Immediately push black button on spark igniter until pilot lights. Continue to hold the control knob in for about 1/2 minute after the pilot is lit.

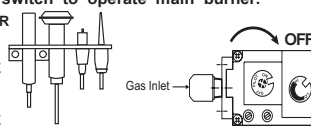
Release knob and it will pop back up. Pilot should remain lit. If it goes out, repeat steps 3) and 4). If knob does not pop up when released, stop and immediately call your service technician or gas supplier.

If the pilot will not stay lit after several tries, turn the gas control knob to "OFF" and call your service technician or gas supplier.

- 5) Turn gas control knob counterclockwise to "ON".
- 6) Use rocker switch to operate main burner.

PILOT BURNER  
VEILLEUSE

THERMOPILE  
ELEMENT  
THERMO-  
ELECTRIQUE



TO TURN OFF GAS APPLIANCE

- 1) Push in the gas control knob slightly and turn clockwise to "OFF". Do not force.
- 2) Turn off all electric power to the appliance if service is to be performed.

You may shut off the pilot during prolonged non use periods to conserve fuel.

DO NOT REMOVE THIS INSTRUCTION PLATE

908-649c

## NORMAL OPERATING SOUNDS OF GAS APPLIANCES

It is possible that you will hear some sounds from your gas appliance. This is perfectly normal due to the fact that there are various gauges and types of steel used within your appliance. Listed below are some examples. All are **normal operating sounds** and should not be considered as defects in your appliance.

### Blower:

Regency® gas appliances use high tech blowers to push heated air farther into the room. It is not unusual for the fan to make a "whirring" sound when ON. This sound will increase or decrease in volume depending on the speed setting of your fan speed control.

### Burner Tray:

The burner tray is positioned directly under the burner tube(s) and logs and is made of a different gauge material from the rest of the firebox and body. Therefore, the varying thicknesses of steel will expand and contract at slightly different rates which can cause "ticking" and "cracking" sounds. You should also be aware that as there are temperature changes within the unit these sounds will likely re-occur. Again, this is normal for steel fireboxes.

### Blower Thermodisc:

When this thermally activated switch turns ON it will create a small "clicking" sound. This is the switch contacts closing and is normal.

### Pilot Flame:

While the pilot flame is on it can make a very slight "whisper" sound.

### Gas Control Valve:

As the gas control valve turns ON and OFF, a dull clicking sound may be audible, this is normal operation of a gas regulator or valve.

### Unit Body/Firebox:

Different types and thicknesses of steel will expand and contract at different rates resulting in some "cracking" and "ticking" sounds will be heard throughout the cycling process.

# MAINTENANCE

## MAINTENANCE INSTRUCTIONS

- 1) Always turn off the valve before cleaning. For relighting, refer to lighting instructions. Keep the burner and control compartment clean by brushing and vacuuming at least once a year. When cleaning the logs, use a soft clean paint brush as the logs are fragile and easily damaged.
- 2) Clean glass (never when unit is hot), appliance, louvres, and door with a damp cloth. Never use an abrasive cleaner. The gold louvres (and optional gold door) may be scratched if abrasives are used to clean them. The heater is finished in a heat resistant paint and should only be refinished with heat resistant paint (not with wall paint). Regency® uses StoveBright Paint - Metallic Black #6309.
- 3) Make a periodic check of burner for proper position and condition. Visually check the flame of the burner periodically, making sure the flames are steady; not lifting or floating. If there is a problem, call an authorized service person.
- 4) Caution: Label all wires prior to disconnection when servicing controls. Wiring errors can cause improper and dangerous operation.
- 5) The appliance and fluing system must be inspected before use, and at least annually, by an authorized field service person, to ensure that the flow of combustion and ventilation air is not obstructed. During the annual service call, the burners should be removed from the burner tray and cleaned. Replace the embers but do not block the pilot.
- 6) Keep the area near the appliance clear and free from combustible materials, gasoline, and other flammable vapours and liquids.

**WARNING: CHILDREN AND ADULTS SHOULD BE ALERTED TO THE HAZARDS OF HIGH SURFACE TEMPERATURE AND SHOULD STAY AWAY TO AVOID BURNS OR CLOTHING IGNITION. YOUNG CHILDREN SHOULD BE CAREFULLY SUPERVISED WHEN THEY ARE IN THE SAME ROOM AS THE APPLIANCE.**

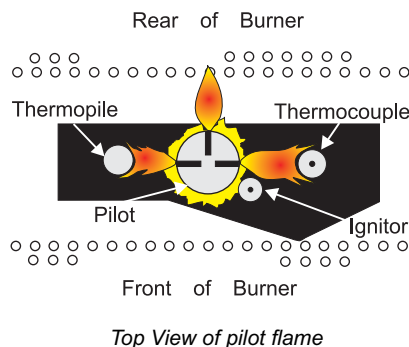
**DO NOT USE THIS APPLIANCE IF ANY PART HAS BEEN UNDER WATER. IMMEDIATELY CALL AN AUTHORIZED SERVICE TECHNICIAN TO INSPECT THE APPLIANCE AND TO REPLACE ANY PART OF CONTROL SYSTEM AND ANY GAS CONTROL WHICH HAS BEEN UNDER WATER.**

**CAUTION: ANY SAFETY SCREEN OR GUARD REMOVED FOR SERVICING AN APPLIANCE MUST BE REPLACED PRIOR TO OPERATING THE APPLIANCE.**

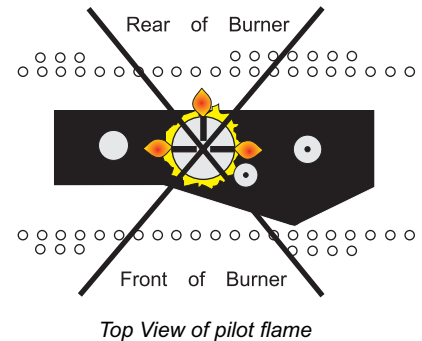
**CLOTHING OR OTHER FLAMMABLE MATERIAL SHOULD NOT BE PLACED ON OR NEAR THE APPLIANCE.**

- 7) Each time the appliance is lit, it may cause condensation and fog the glass. This condensation and fog is normal and will disappear in a few minutes as the glass heats up.  
**Never operate the appliance without the glass properly secured in place or with the door open.**
- 8) Periodically check the pilot flames. Correct flame pattern has three strong blue flames: 1 flowing around the thermopile and 1 around the thermocouple, and 1 flowing across the rear of the burner (it does not have to be touching the burner).

**Note: If you have an incorrect flame pattern, contact your Regency® dealer for further instructions.**



Incorrect flame pattern will have small, probably yellow flames, not coming into proper contact with the rear of the burner or thermopile.



## GENERAL FLUE MAINTENANCE

Conduct an inspection of the fluing system semi-annually. Recommended areas to inspect as follows:

- 1) Check the Fluing System for corrosion in areas that are exposed to the elements. These will appear as rust spots or streaks, and in extreme cases, holes. These components should be replaced immediately.
- 2) Remove the Cap, and shine a flashlight down the Flue. Remove any bird nests, or other foreign material.
- 3) Check for evidences of excessive condensation, such as water droplets forming in the inner liner, and subsequently dripping out the joints. Continuous condensation can cause corrosion of caps, pipe, and fittings. It may be caused by having excessive lateral runs, too many elbows, and exterior portions of the system being exposed to cold weather.
- 4) Inspect joints, to verify that no pipe sections or fittings have been disturbed, and consequently loosened. Also check mechanical supports such as Wall Straps, or plumbers' tape for rigidity.

## GOLD-PLATED DOORS

The 24 carat gold plated finish on the door requires little maintenance, and need only be cleaned with a damp cloth. DO NOT use abrasive materials or chemical cleaners, as they may harm the finish and void the warranty. Clean any fingerprints off before turning the unit on. **If the door starts to discolour, check the gasket seal and replace if necessary.**

## LOG REPLACEMENT

The unit should never be used with broken logs. Turn off the gas valve and allow the unit to cool before opening door to carefully remove the logs. The pilot light generates enough heat to burn someone. If for any reason a log should need replacement, you must use the proper replacement log. The position of these logs must be as shown in the diagram under Log Installation.

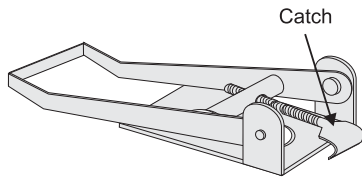
**Note: Improper positioning of logs may create carbon build-up and will alter the unit's performance which is not covered under warranty.**

## DOOR GASKET

If the door gasket requires replacement use 7/8" diameter oval door gasket (Part # 650-920).

## LATCH ADJUSTMENT

The door latch may require adjustment as the door gasket material compresses after a few fires and after glass replacement. Turn the adjustable catch to tighten or loosen the latch.



## GLASS REPLACEMENT

Your Regency® stove is supplied with high temperature, 5 mm Neoceram ceramic glass that will withstand the highest heat that your unit will produce. In the event that you break your glass by impact, purchase your replacement door from an authorized Regency® dealer only, and follow our step-by-step instructions for replacement. The glass is not sold separately, as it must be properly sealed in the door frame.

### Replacement Part #

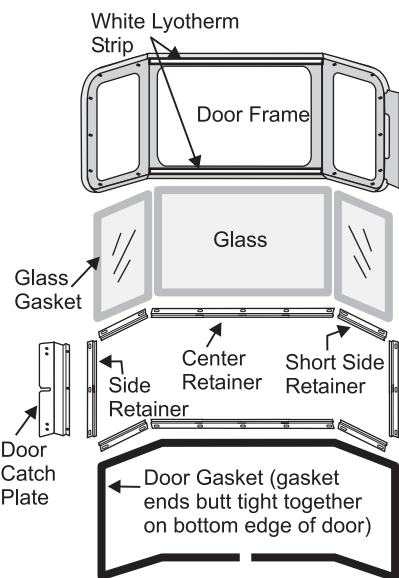
940-325/P	F39 Wraparound Glass
940-322/P	F39 Panel Center Glass
940-323/P	F39 Panel Side Glass

**WARNING: Do not operate appliance with glass panels removed, cracked or broken. Replacement of the glass should be done by a licensed or qualified service person.**

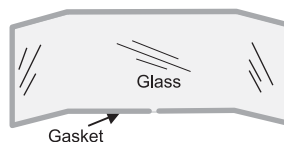
Note: Wearing gloves will protect your hands while handling glass.

### Panel Glass Replacement

- 1) Remove the door from the unit and place on a soft surface to prevent scratching.
- 2) Pull out the door gasket.
- 3) Remove the nuts holding the glass retainers in place.
- 4) Remove the glass retainers (sides, top and bottom) and the door catch plate.
- 5) Replace the glass. **The glass must have gasketing around it.**
- 6) Reverse the previous steps, replace the retainers and fasten with the nuts but do not overtighten, as this can break the glass. Note: the door catch plate fits on top of the left side retainer.
- 7) Put gasket glue on the retainers, but do not put glue on the screws. Replace the door gasket, the two ends butt tight together on the bottom edge of the door.
- 8) Replace door on the stove and check the seal.



Panel Glass Door Assembly



Wraparound Assembly Door (same glass retainers as the Panel Assembly)

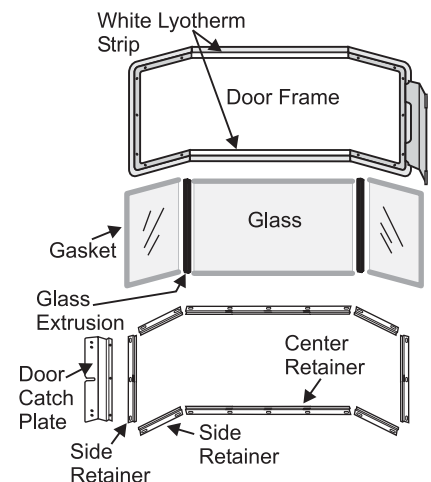
### Mitred Glass Replacement

#### Removing Glass

- 1) Remove the door from the unit and place on a soft surface to prevent scratching.
- 2) Pull out the door gasket.
- 3) Remove the 24 nuts holding the glass retainers in place. *Do not remove the nuts underneath the retainers.*
- 4) Remove the door catch plate.
- 5) Remove glass retainers on sides first (3 each side) then remove two center retainers.

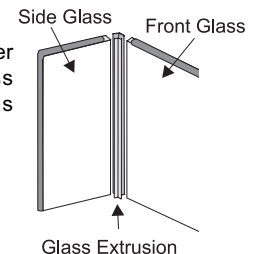
**Note: Center glass retainers are glued to center glass.**

- 6) Remove glass from extrusions. When removing center glass, leave white insulation in place.



#### Installing Glass

- 1) Install both center and side glass onto extrusions as per diagram.
- 2) Place glass assembly into door frame.
- 3) Install retainers by placing 1 drop of glue where previously glued and put in place.
- 4) Install side retainers.
- 5) Install door catch plate.
- 6) Install the 24 nuts loosely, do not tighten yet.

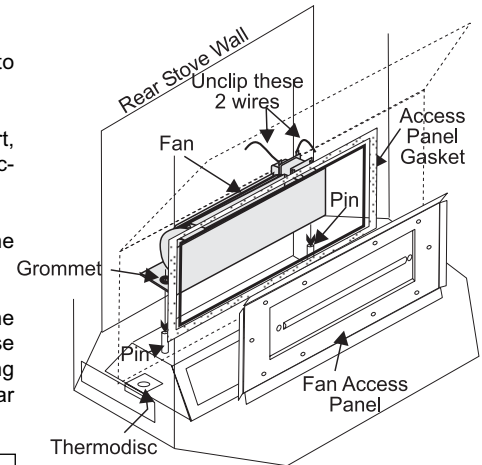


# MAINTENANCE

- 7) Tighten side panels nuts using the following procedure:
  - a. tighten top & bottom outside corner nuts (2)
  - b. tighten inside nuts (3)
  - c. tighten top & bottom inside corners (2)
- 8) Tighten the 10 nuts on center glass retainer.
- 9) Repeat step 7 for other side panel.
- 10) Replace new gasket by gluing it in place.
- 11) Install door onto stove and check the seal.

## To remove F39 fan:

- 1) Unplug or disconnect power source to stove.
- 2) Remove all logs and the rear log support, then remove the 10 screws holding the access panel in place.
- 3) Unclip the black and white wires from the fan motor.
- 4) Open both side doors and gently pull the flex pipe away from the center, otherwise the fan can catch on the flex pipe during installation and tear the pipe. Do not tear or damage the flex pipe.



## FAN MAINTENANCE

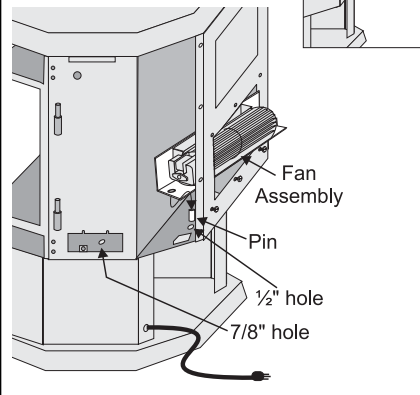
If your fan requires maintenance or replacement, access to the fan is through the plate on the rear wall of the firebox. **NOTE: the unit MUST NOT be operated without the fan access panel securely in place and correctly sealed.**

If the fan is damaged or needs repair, it shall be repaired by the manufacturer or its service agent or similarly qualified person to avoid a hazard.

**IMPORTANT:** These fans collect a lot of dust from within your home. Ensure you maintain these fan motors on a regular basis by vacuuming out the fan squirrel cages, around the motor, and around the grills on the back of the stove.

### Alternate Fan Access:

If the rear access cover is accessible, it can be removed to provide access to the fan.



### Replacing F39 Fan:

Reverse the above steps (1 - 5). If necessary install a new gasket before replacing the fan access panel. Make sure the fan wires and the ground wire are reattached.

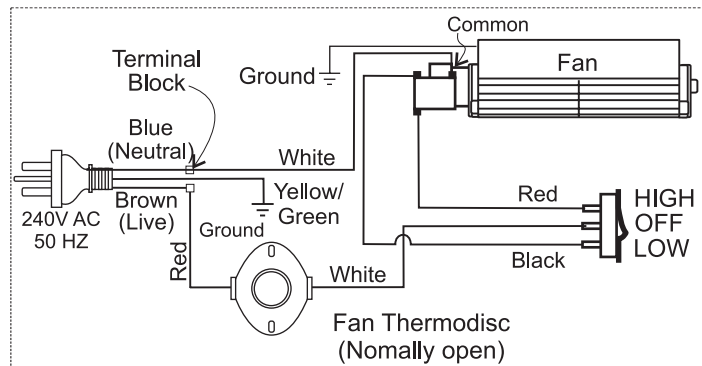
*Hint for pushing fan down onto pins - rub a bit of dish soap on the grommet so it will slide more easily onto the pin. Check to make sure the fan is seated properly on the pins - try to move the fan back and forth, there should be no noise, if there is check that the grommets haven't come loose.*

**IMPORTANT**  
Disconnect power supply  
before servicing

### WARNING: Electrical Grounding Instructions

This appliance is equipped with a three pronged (grounding) plug for your protection against shock hazard and should be plugged directly into a properly grounded three-prong receptacle. Do not cut or remove the grounding prong from this plug.

- 5) Lift fan off of the 2 pins, tip back and pull through firebox opening. Disconnect the green ground wire from the right side of the fan as soon as you can reach it.

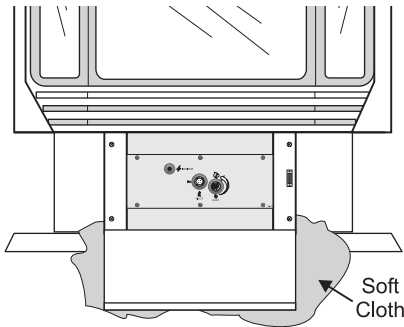


## REMOVING VALVE

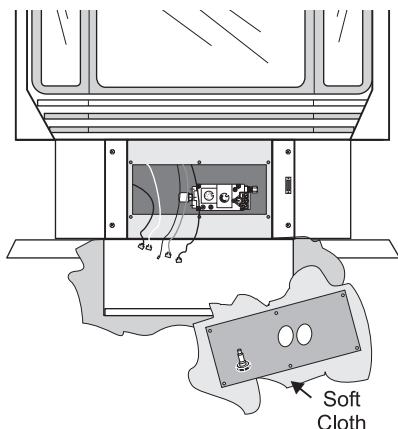
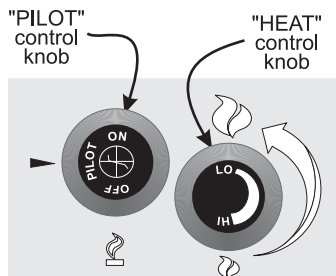
If your valve requires maintenance or replacement, use the following instructions:

**Note: Always close off the gas supply before removing the valve.**

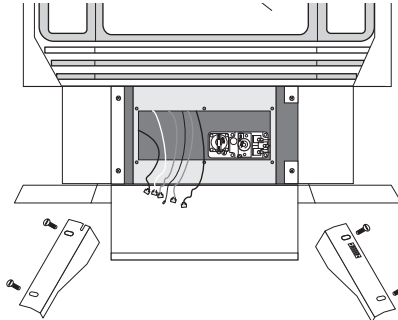
- 1) Open front pedestal door. You may want to put a soft cloth on the base of the unit so that when the pedestal door is open it doesn't scratch the paint.



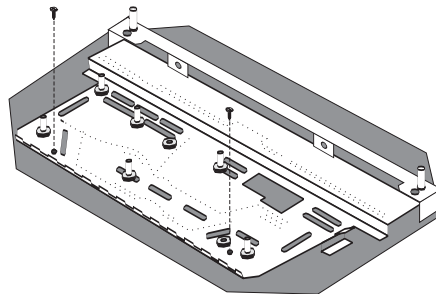
- 2) Undo the six screws holding the control panel in place.
- 3) Disconnect all wires from the back of the panel and then remove panel. You should lay the panel on a soft cloth so it doesn't get marked up. See diagram below.



- 4) Remove the two outside frame pieces by removing two screws per side. See diagram below.

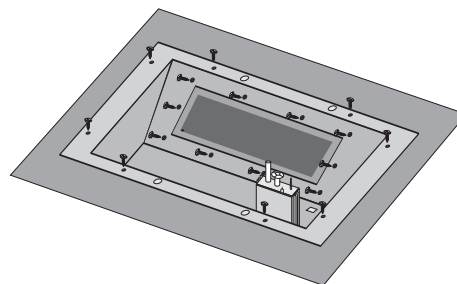


- 5) At this point you should disconnect the gas at the valve. You can access it through the front now that the control panel is off, or you can access it through the rear pedestal cover plate.
- 6) Carefully remove the logs and lava rock.
- 7) Remove burner.



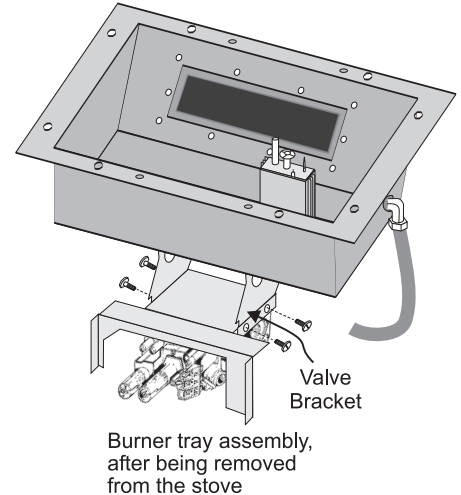
**Note: Use a magnetic type screwdriver if possible.**

- 8) Remove all 18 screws holding the burner tray assembly in place.



- 9) Carefully lift the burner tray assembly out.

- 10) To replace the burner tray assembly, simply reverse these instructions.



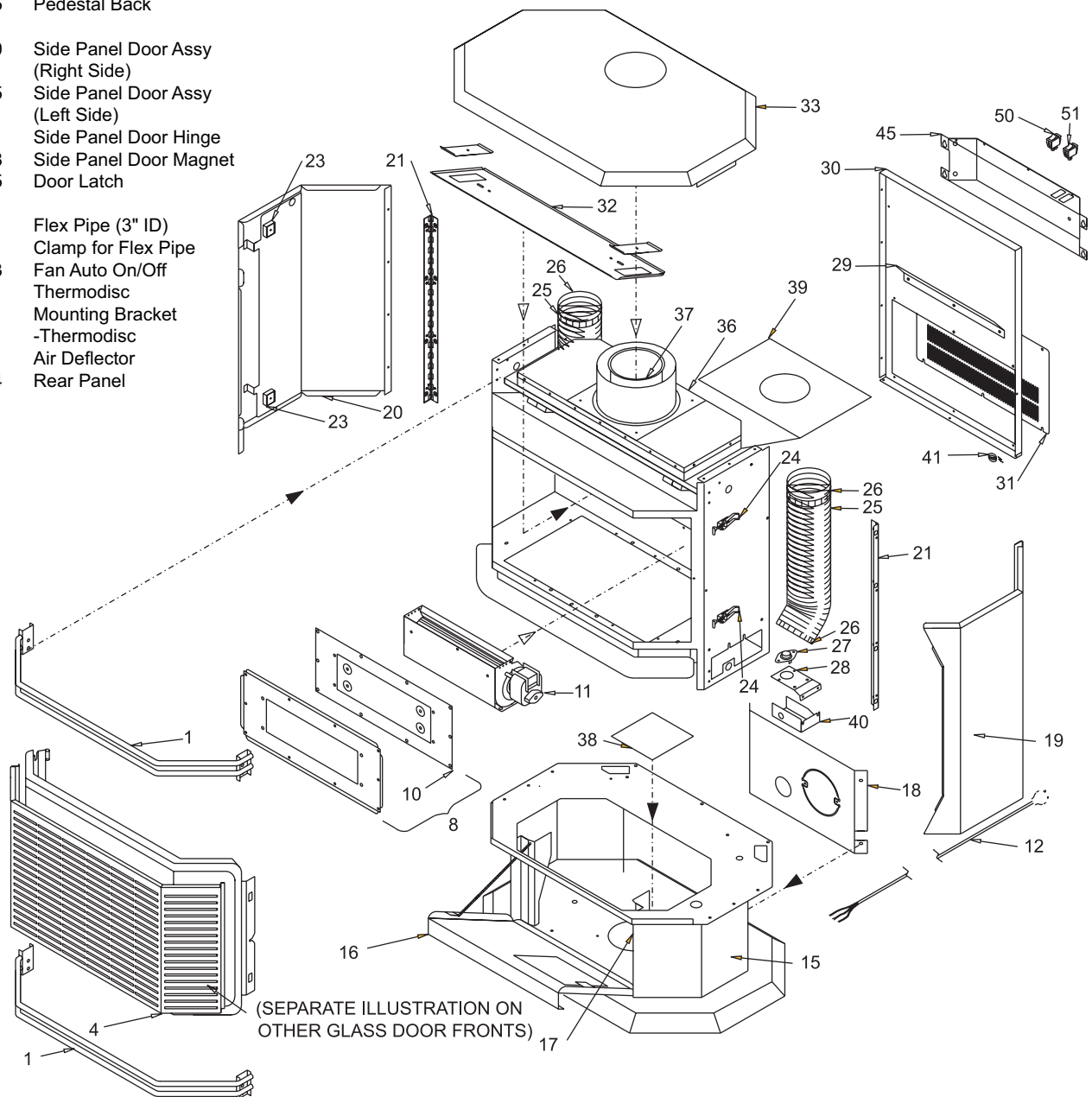


# PARTS LIST

## F39 MAIN ASSEMBLY

Part #	Description	Part #	Description	Part#	Description
1)	560-920 Louver Assy - Gold (Set)	31)	630-021 Fan Access Panel	910-033	Heat Resistant Sleeve
4)	730-038 Door Screen (Australia only)	32)	730-028 Firebox Baffle	45)	750-031 Rear Control Panel
8)	730-560 Relief Door Assembly (with gasket)	33)	630-520 False Top Assembly	50)	910-140 Fan Hi/Off/Low Switch
10)	730-034 Mounting Plate Gasket	36)	936-194 Gasket - Starter Collar/ Air Passage	51)	910-246 Burner On/Off Switch
11)	730-519/P Fan Assembly (240 Volt)	37)	936-197 Gasket - Flue Collar/ Starter Collar	918-089	Decal Top Rear Control Panel
910-169/P	Fan Motor (240 Volt)	38)	820-058 Pedestal Base Cover	731-968	Conversion Kit to LPG
12)	910-714 Power Cord (240 Volt)	39)	730-036 Gasket - Air Passage	948-216	Logo Plate
15)	560-525 Pedestal Assembly	40)	730-042 Thermodisc Cover	918-535	Manual
16)	730-039 Pedestal Door	41)	904-185 Cable Tie - High Temperature		*Not available as a replacement part.
17)	904-257 Pedestal Door Magnet	42)	904-186 Cable Tie Mounting Button		
18)	560-025 Pedestal Back				

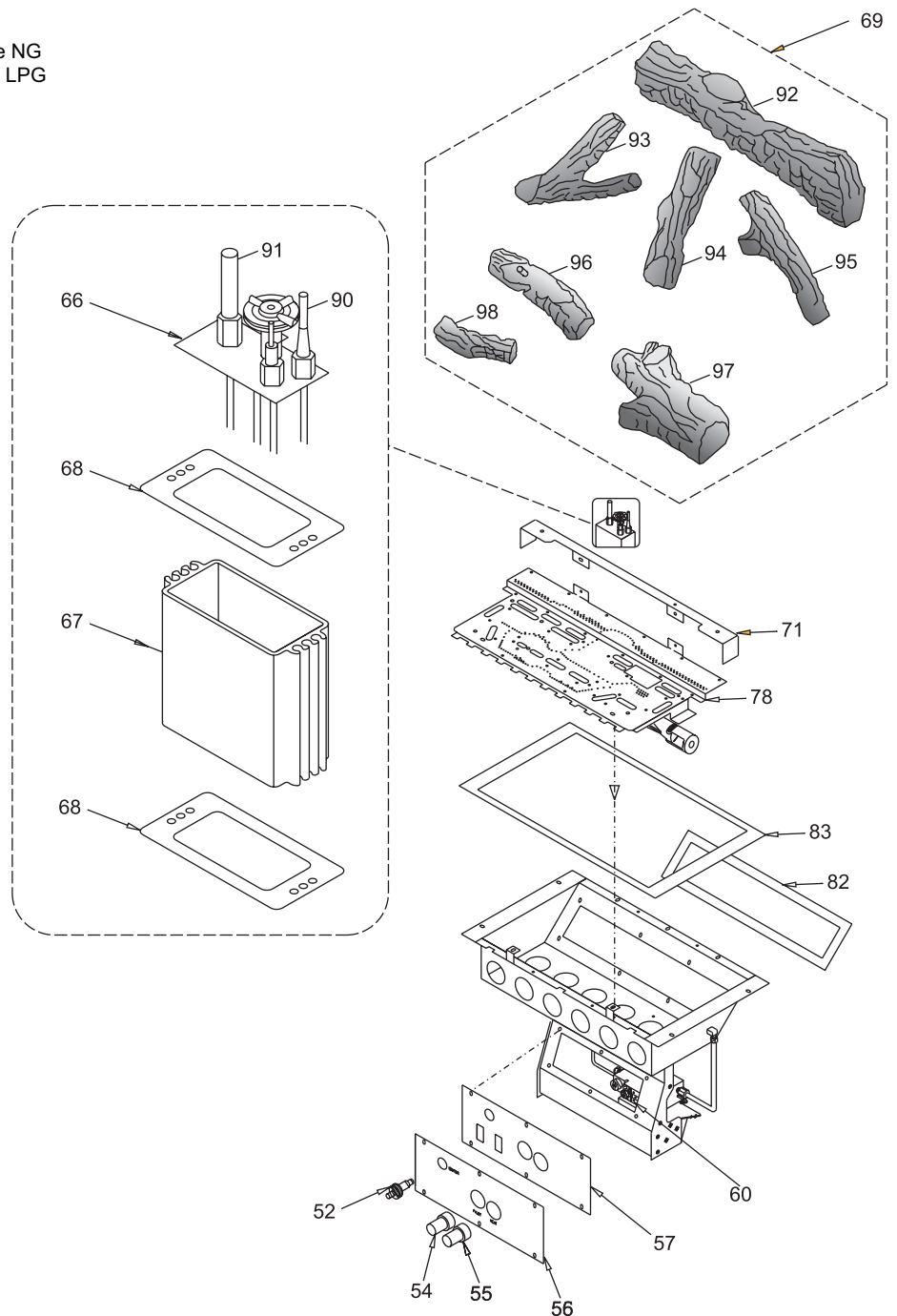
- 19) 730-530 Side Panel Door Assy (Right Side)
- 20) 730-525 Side Panel Door Assy (Left Side)
- 21) 560-031 Side Panel Door Hinge
- 23) 904-258 Side Panel Door Magnet
- 24) 948-255 Door Latch
- 25) \* Flex Pipe (3" ID)
- 26) \* Clamp for Flex Pipe
- 27) 910-233 Fan Auto On/Off Thermodisc
- 28) \* Mounting Bracket -Thermodisc
- 29) \* Air Deflector
- 30) 730-044 Rear Panel



## F39 BURNER & LOG ASSEMBLY

Part #	Description
52)	910-190 Piezo Ignitor & Nut
54)	910-373 Knob - Pilot Valve Extension
55)	910-372 Flame Adjusting Knob
56)	918-088 Control Plate Decal
57)	* Switch Plate
60)	730-574/P Valve Assembly - NG
	910-378 Valve - S.I.T. - NG
	904-688 #32 Orifice - N.G.
	936-170 Orifice Gasket
66)	910-038 Pilot Assy - S.I.T. - 3 Flame NG
	910-039 Pilot Assy - S.I.T. - 3 Flame LPG
67)	* Pilot Holder
68)	W840470 Pilot Assembly Gasket
71)	730-528 Log Stand
	904-641 Pilot Orifice #50 - NG
75)	730-935 Log Set
78)	730-550 Burner Assembly
82)	630-009 Gasket-Burner Tray/Air Passage
83)	630-008 Gasket - Burner Tray/Firebox
90)	910-386 Thermocouple
91)	910-341 Thermopile
92)	* Rear Log
93)	* Left Top Log
94)	* Center Log
95)	* Middle Right Log
96)	* Middle Left Log
97)	* Front Right Log
98)	* Front Left Log

\*Not available as a replacement part.



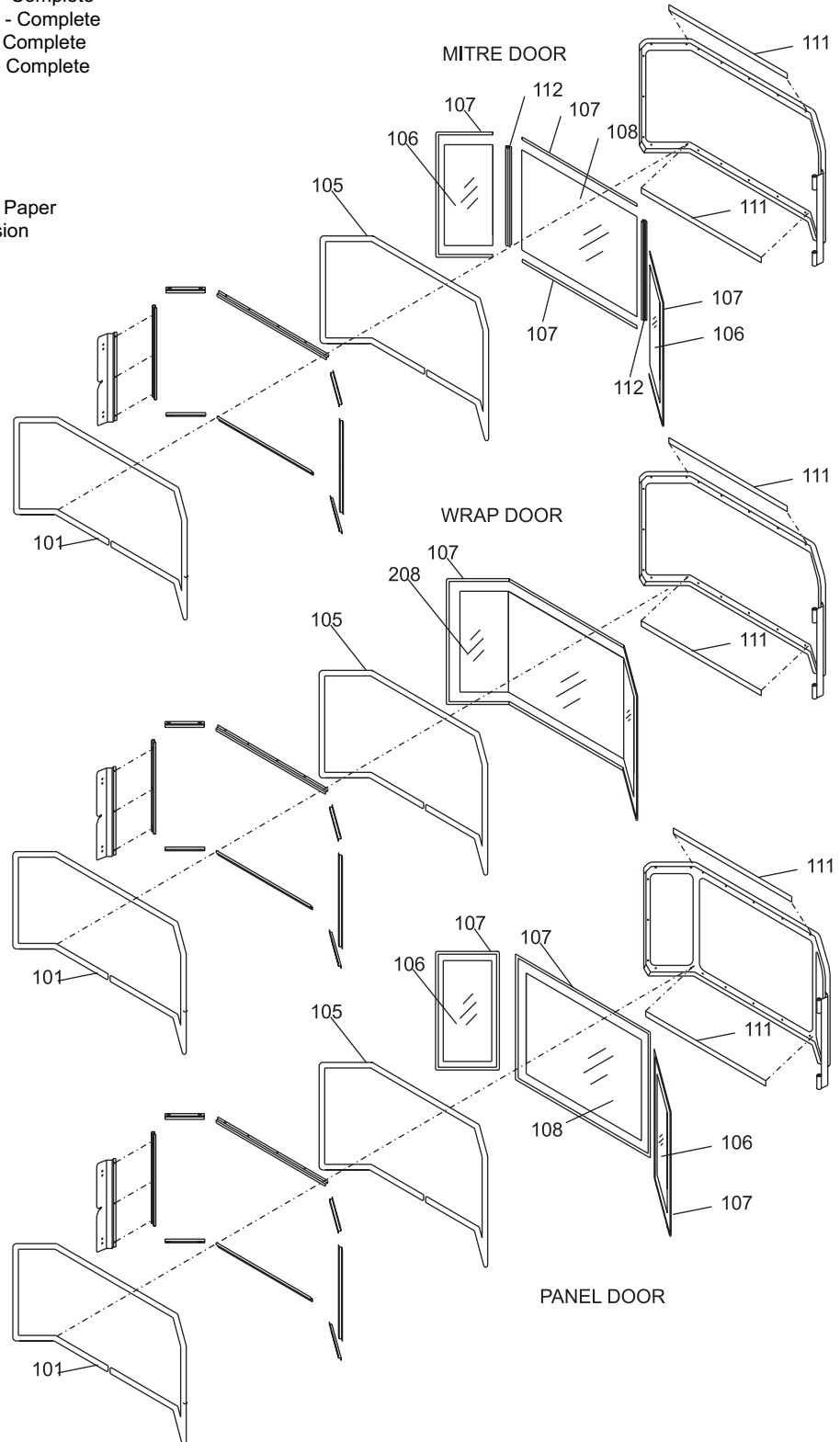


# PARTS LIST

## F39 DOOR ASSEMBLIES

Part #	Description
730-924	Gold Mitred Door - Complete
730-926	Black Mitred Door - Complete
730-932	Gold Wrap Door - Complete
730-928	Gold Panel Door - Complete
101) 650-920	Door Gasket Kit
105) *	Ceramic Paper
106) 940-323/P	Side Glass
107) 936-243	Glass Gasket
108) 940-322/P	Centre Glass
111) *	Door Frame Fibre Paper
112) 750-015	Door Glass Extrusion
208) 940-325/P	Wrap Glass

\*Not available as a replacement part.



# WARRANTY

**Regency Fireplace Products are designed with reliability and simplicity in mind. In addition, our internal Quality Assurance Team carefully inspects each unit thoroughly before it leaves our door. Regency Industries Ltd. is pleased to extend this limited lifetime warranty to the original purchaser of a Regency Product.**

## **The Warranty:** Lifetime

Covered under the agreement are the following components:

Combustion chamber, heat exchanger, burner tubes, logs, embers, glass (thermal breakage) and all gold plating (against defective manufacture).

The above will be covered for parts and labour for the first five years and parts only thereafter.

Electrical components such as fans, switches, wiring, thermodiscs, remote control, thermopiles, thermocouples and gas valves are covered for one year from the date of purchase.

## **Conditions:**

All installations must be performed by an authorised gas fitter and installed according to all applicable local and national codes. Also, all service work must be carried out by an authorised gas service person. It is the responsibility of the installer to ensure that the appliance is firing as per rating plate. Any part or parts of this unit which in our judgement show evidence of such defect will be repaired or replaced at Regency's option, through an accredited distributor or agent provided that the defective part be returned to the distributor or agent **Transportation Prepaid**, if requested. In areas where there is not an approved service agent or the closest approved service agent is situated more than twenty-five (25) kilometres from the installation, Australian Heating Distributors are not obliged to arrange warranty repairs and travel and/or additional labour charges will apply.

## **Exclusions:**

This limited Lifetime Warranty does not extend to or include paint, door or glass gasketing or trim. It does not cover installation and operational related problems such as over-firing, downdrafts or spillage caused by environmental conditions, nearby trees, buildings, hilltops, mountains, inadequate flueing or ventilation, excessive offsets, negative air pressures caused by insufficient make up air, mechanical systems such as furnaces, fans, clothes dryers etc.

The warranty does not extend to any part or parts which show evidence of misuse or abuse, neglect, accident or lack of maintenance.

Products made by other manufacturers and used in conjunction with the operation of this appliance without authorization from Regency, may nullify your warranty on this product.

Regency Industries Ltd., shall in no event be liable for any special, indirect consequential damages of any nature whatsoever which are in excess of the original purchase price of the product. Any alteration to the unit which causes sooting or carboning that results in damage to the exterior facia is not the responsibility of Regency Industries Ltd.

## **General:**

It is essential that all submitted claims provide all of the necessary information including purchase date, serial #, type of unit and part or parts requested.



## Free Manuals Download Website

<http://myh66.com>

<http://usermanuals.us>

<http://www.somanuals.com>

<http://www.4manuals.cc>

<http://www.manual-lib.com>

<http://www.404manual.com>

<http://www.luxmanual.com>

<http://aubethermostatmanual.com>

Golf course search by state

<http://golfingnear.com>

Email search by domain

<http://emailbydomain.com>

Auto manuals search

<http://auto.somanuals.com>

TV manuals search

<http://tv.somanuals.com>