

i30 & i60

Professional Steam Iron

Instruction Manual



USER INSTRUCTIONS i30 & i60

Thank you for purchasing the Reliable™ i30 & i60 series iron system. Please follow the instructions carefully. With proper care and maintenance, your steamer will provide years of dependable service.



COMPONENTS:

1. Steam button
2. Temperature regulation knob
3. Male electrical plug
4. Quick release of steam hose
5. Iron plate

USER INSTRUCTIONS i30 & i60

1. Remove the steam iron from its packing and make sure all packing parts have been taken off (including the protective bags). Lay the steam iron on the supplied pad on the ironing table in steady position.
2. Connect the male plug (3) to the female plug of the steam generator (ref. nr. 7 - see instruction booklet i700-i702) and the quick release of the steam hose (4) to the "L" connector (ref. Nr 8 - see instruction booklet i700-i702).
3. Push the steam switch (ref. Nr. 2 - see instruction booklet i700-i702).
4. Set the temperature regulation knob (2) to "cotton⁰⁰⁰".
5. Wait for the iron plate to get hot (it takes about 5 minutes).
6. The steam iron is now ready for use.
7. Push the steam button (1) to release steam.
8. Please wait for the steam iron to cool down before storing it away.

CAUTION

- Do not leave the iron on while unattended.
- The iron plate is hot. Please do not touch it during use, or for 15 minutes afterwards.

TECHNICAL DATA:

Adjustable thermostat: set at 60°C-215°C

Aluminium heater: set at 275°

Safety bimetallic thermostat with manual reset: 800w – 120V-220V



TROUBLESHOOTING:

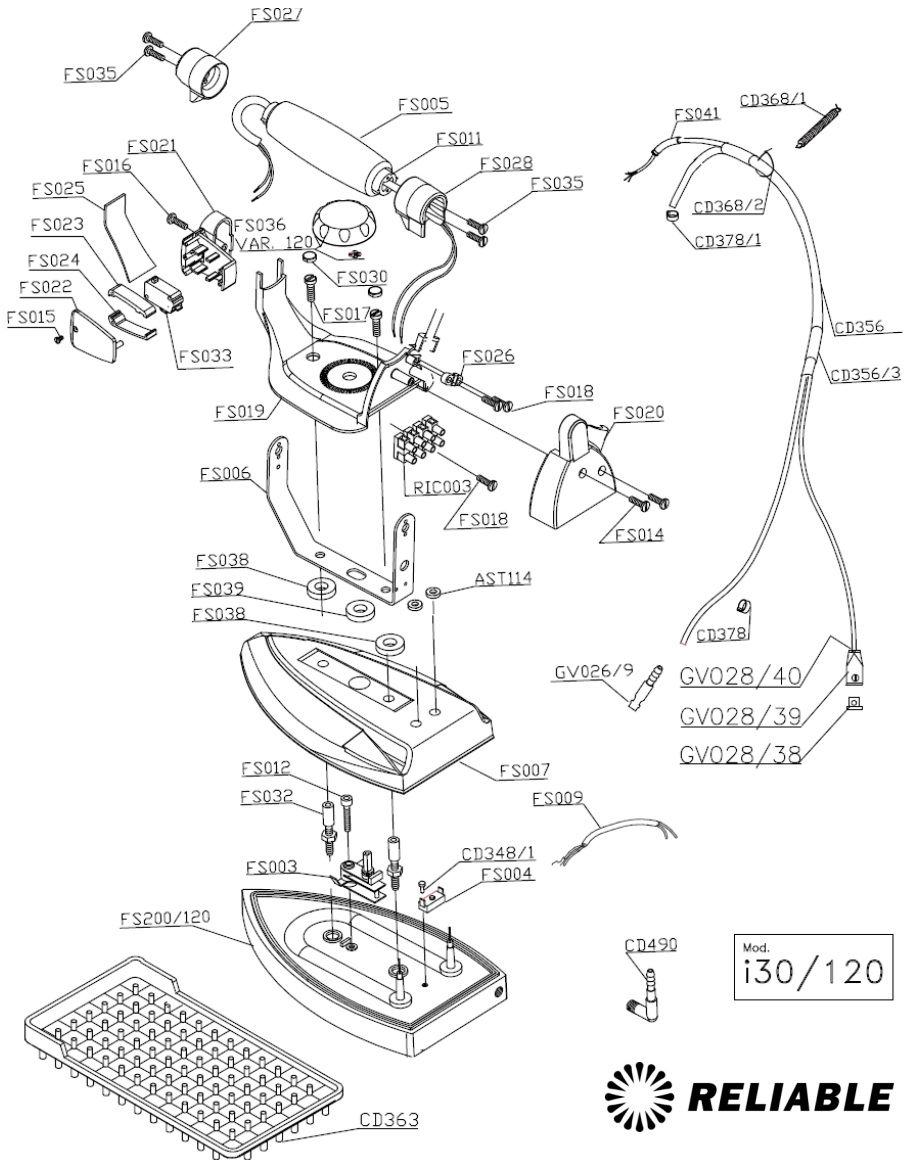
| PROBLEM | EXPLANATION | SOLUTION |
|--|---|--|
| Does the steam iron leak steam mixed with water? | <ol style="list-style-type: none"> 1) While filling the tank you may have poured too much water into the tank. 2) The iron plate has to be hot enough to produce dry steam. | <ol style="list-style-type: none"> 1) The problem will go on until the excess water is emptied. Keep the steam button depressed until the water in the tank is at the correct level. 2) Please check that the temperature knob is on the right position: "cotton ○○○" |
| There is no steam coming out of the iron? | <ol style="list-style-type: none"> 1) The steam knob (where supplied) might be closed. 2) The iron switch might be off. 3) The boiler switch might be off. 4) The water might be used up. | <ol style="list-style-type: none"> 1) Open the steam knob anticlockwise. 2) After the iron switch comes on, wait for 4 minutes so that the iron plate gets hot. 3) After the boiler switch comes on, wait for 10-20 minutes so the boiler produces steam. 4) Fill it following the instructions carefully. |
| Does the steam leak dirty water? | Some dirty water might have gone into the boiler with the water and it is given off from the iron. | Fill the empty tank with water (i300/i500), screw the cap tight, shake it, unscrew the cap and empty the tank. Repeat the action until the water is cleaned. We do not recommend the use of any additive to pour in the tank. Before ironing again spray some steam on a cloth until clean steam comes out. |
| How to clean the boilers i700-i702 | | Clean the boiler frequently by opening the exhaust valve but only when the boiler has been disconnected from the electrical outlet – let pressure go down first. |
| How to clean the boiler i300-i500 | | The use of normal tap water is recommended. In order to clean the boiler and remove limestone, rinse it internally (every 15-20 litres of water used or every month) with tap water. |

130/120V SPARE PARTS LIS

| ITEM CODE | VARIANT | ITEM DESCRIPTION | Q.TY |
|-----------|-----------|------------------------------------|-------|
| AST114 | | BLOCKAGE FOR IRONING BOARD ELEMENT | 2 |
| CD348/1 | | SCREW FOR BULB THERMOSTAT | 1 |
| CD356 | | MONO-HOSE MT 2.2 5X10 | 1 |
| CD356/3 | | THERMORESCTRICT. CLIP FOR MONOHOSE | MT. 1 |
| CD363 | | PAD | 1 |
| CD368/1 | | SPRING TO HOLD THE HOSE UP | 1 |
| CD368/2 | | CLIP FOR SPRING | 1 |
| CD378 | | HOSE CLAMP 10/12 ONE EAR | 1 |
| CD378/1 | | HOSE CLAMP 9/11 TWO EARS | 1 |
| CD490 | | ANGLE CONNECTION | 1 |
| FS200/120 | | IRON PLATE 120V | 1 |
| FS003 | | ADJUSTABLE THERMOSTAT | 1 |
| FS004 | | THERMOSTAT 271 WITH MANUAL RESET | 1 |
| FS005 | | CORK HANDLE | 1 |
| FS006 | | BRACKET | 1 |
| FS007 | | CAP | 1 |
| FS009 | | WIRING | 1 |
| FS011 | | INSERT FOR HANDLE | 1 |
| FS012 | | SCREW M4x22 FOR THERMOSTAT FIXING | 1 |
| FS014 | | SCREW FOR BACKHANDLE | 3 |
| FS015 | | SCREW FOR MICRO CLOSING | 2 |
| FS016 | | SCREW FOR MICRO-CASE | 1 |
| FS017 | | SCREW FOR HANDLE FIXING M5x10 | 2 |
| FS018 | | SCREW FOR TERMINAL BLOCK FIXING | 3 |
| FS019 | | HANDLE COVER | 1 |
| FS020 | | BACKHANDLE | 1 |
| FS021 | | BUTTON-CASE | 1 |
| FS022 | | BUTTON-CASE COVER | 1 |
| FS023 | | UPPER BUTTON | 1 |
| FS024 | | LOWER BUTTON | 1 |
| FS025 | | PLATE FOR BRACKET COVER | 1 |
| FS026 | | CORD BLOCKAGE | 1 |
| FS027 | | FRONT HANDLE HOLDER | 1 |
| FS028 | | BACK HANDLE HOLDER | 1 |
| FS030 | | SCREW CAP | 2 |
| FS031 | | BRASS WASHER-SPACER | 2 |
| FS032 | | BRASS MALE FEMALE SPACER | 2 |
| FS033 | | MICRON | 1 |
| FS035 | | SCREW FOR HANDLE | 4 |
| FS036 | VAR. 120V | BLACK BACHELITE PRINTED KNOB | 1 |
| FS038 | | LOWER HANDLE WASHER FOR SCREW | 2 |
| FS039 | | LOWER HANDLE WASHER FOR KNOB | 1 |
| FS041 | | FAIRLEAD FOR CABLE | 1 |
| GV026/9 | | QUICK RELEASE | 1 |

| | | |
|----------|-----------------------------|---|
| GV028/38 | MALE PLUG | 1 |
| GV028/39 | REMOVABLE COVER | 1 |
| GV028/40 | CABLE PRESS FOR MALE SOCKET | 1 |
| RIC003 | 4 POLE TERMINAL BOARD | 1 |

i30/120V PARTS DRAWING

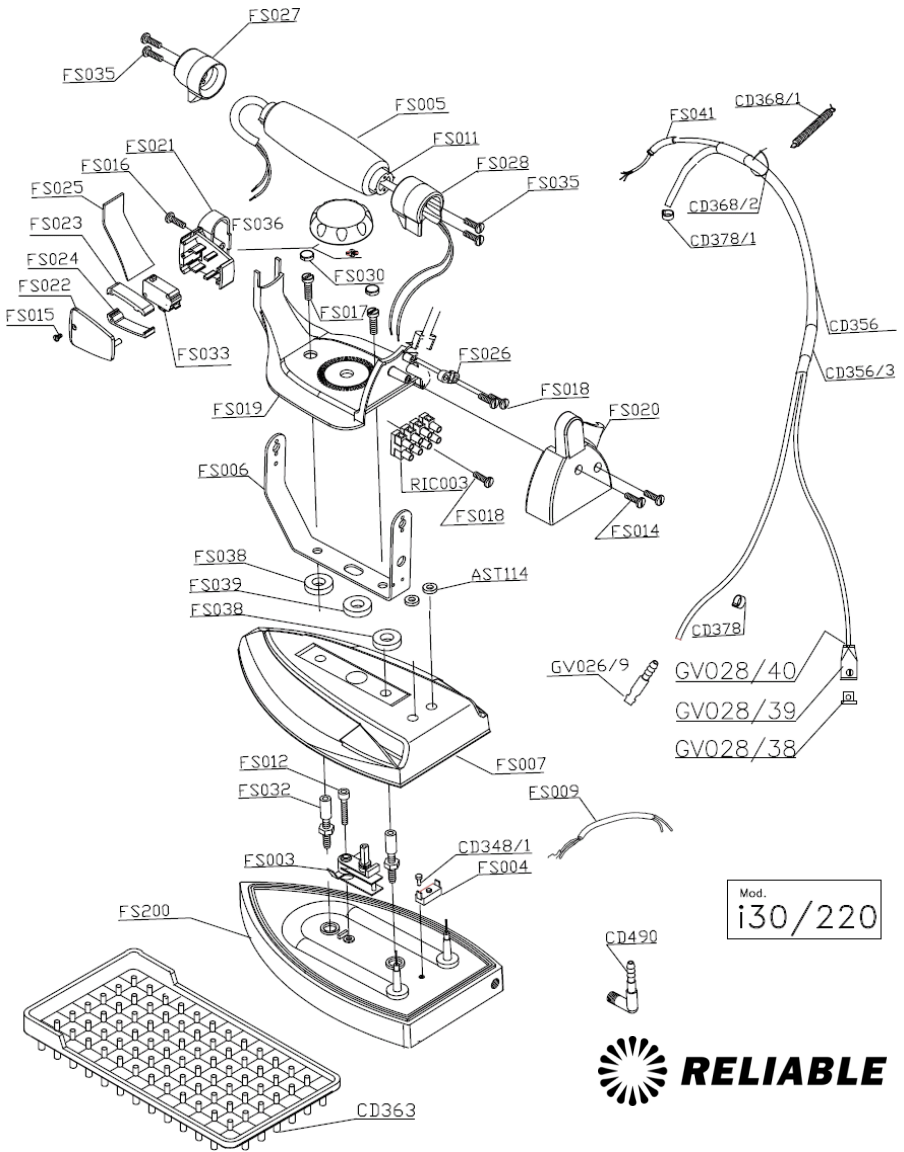


i30/220V PARTS LIST

| ITEM | ITEM DESCRIPTION | Q.TY |
|---------|--|------|
| AST114 | BLOCKAGE FOR IRONING BOARD HEATING ELEMENT | 2 |
| CD348/1 | SCREW FOR BULB THERMOSTAT | 1 |
| CD356 | MONO-HOSE MT 2,2 5X10 | 1 |
| CD356/3 | THERMORESCTRICTING CLIP FOR MONO-HOSE | MT.1 |
| CD363 | PAD | 1 |
| CD368/1 | SPRING TO HOLD THE HOSE UP | 1 |
| CD368/2 | CLIP FOR SPRING | 1 |
| CD378 | HOSE CLAMP 10/12 ONE EAR | 1 |
| CD378/1 | HOSE CLAMP 9/11 TWO EARS | 1 |
| CD490 | ANGLE CONNECTION | 1 |
| FS200 | IRON PLATE 220V | 1 |
| FS003 | ADJUSTABLE THERMOSTAT | 1 |
| FS004 | THERMOSTAT 271 WITH MANUAL RESET | 1 |
| FS005 | CORK HANDLE | 1 |
| FS006 | BRACKET | 1 |
| FS007 | CAP | 1 |
| FS009 | WIRING | 1 |
| FS011 | INSERT FOR HANDLE | 1 |
| FS012 | SCREW M4x22 FOR THERMOSTAT FIXING | 1 |
| FS014 | SCREW FOR BACKHANDLE | 3 |
| FS015 | SCREW FOR MICRO CLOSING | 2 |
| FS016 | SCREW FOR MICRO-CASE | 1 |
| FS017 | SCREW FOR HANDLE FIXING M5x10 | 2 |
| FS018 | SCREW FOR TERMINAL BLOCK FIXING | 3 |
| FS019 | HANDLE COVER | 1 |
| FS020 | BACKHANDLE | 1 |
| FS021 | BUTTON-CASE | 1 |
| FS022 | BUTTON-CASE COVER | 1 |
| FS023 | UPPER BUTTON | 1 |
| FS024 | LOWER BUTTON | 1 |
| FS025 | PLATE FOR BRACKET COVER | 1 |
| FS026 | CORD BLOCKAGE | 1 |
| FS027 | FRONT HANDLE HOLDER | 1 |
| FS028 | BACK HANDLE HOLDER | 1 |
| FS030 | SCREW CAP | 2 |
| FS031 | BRASS WASHER-SPACER | 2 |
| FS032 | BRASS MALE FEMALE SPACER | 2 |
| FS033 | MICRON | 1 |
| FS035 | SCREW FOR HANDLE | 4 |
| FS036 | BLACK BACHELITE SILKSCREEN PRINTED KNOB | 1 |
| FS038 | LOWER HANDLE WASHER FOR SCREW | 2 |
| FS039 | LOWER HANDLE WASHER FOR KNOB | 1 |
| FS041 | FAIRLEAD FOR CABLE | 1 |
| GV026/9 | QUICK RELEASE | 1 |

| | | |
|----------|------------------------------|---|
| GV028/38 | MALE PLUG | 1 |
| GV028/39 | REMOVABLE COVER | 1 |
| GV028/40 | CAVBLE PRESS FOR MALE SOCKET | 1 |
| RIC003 | 4 POLE TERMINAL BOARD | 1 |

i30/220V PARTS DRAWING



Mod.
i30/220

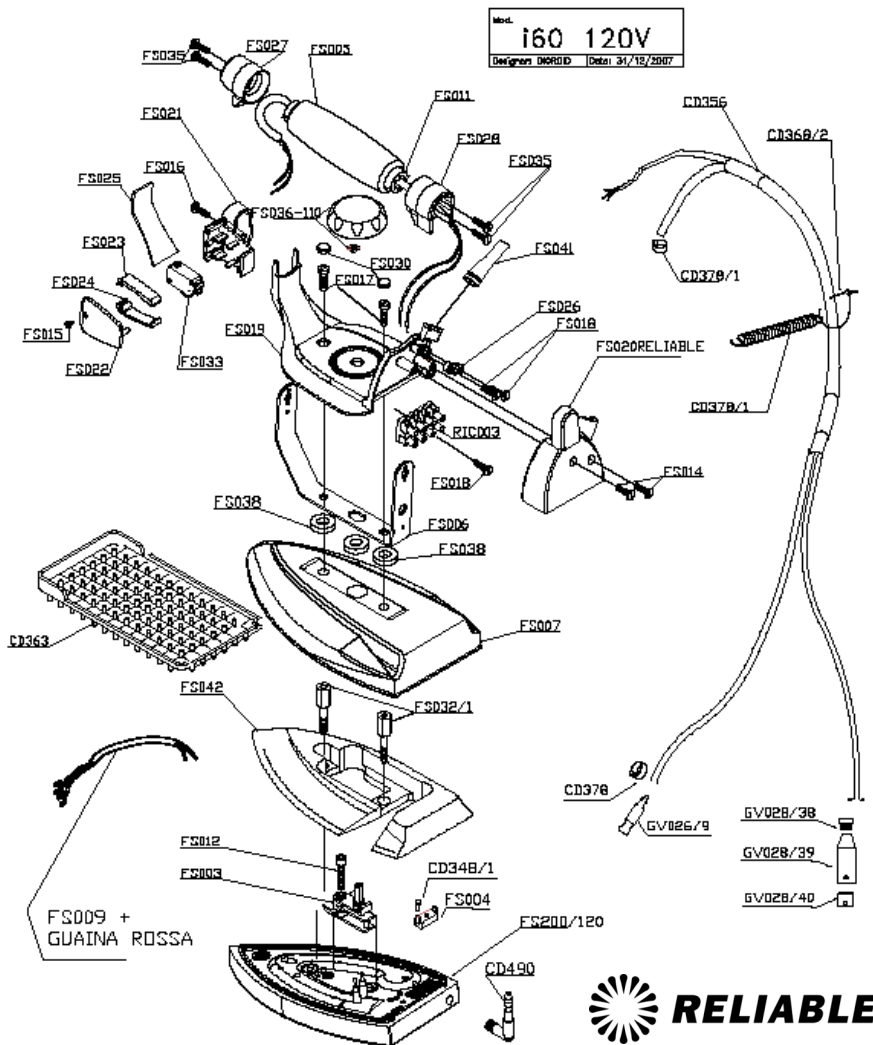


160/120V PARTS LIST

| ITEM | VAR. | DESCRIPTION | Q.TY |
|-----------|----------|------------------------------------|------|
| AST114 | | BLOCKAGE FOR IRONING BOARD ELEMENT | 2 |
| CD348/1 | | SCREW FOR BULB THERMOSTAT | 1 |
| CD356 | | MONO-HOSE MT 2,2 5X10 | 1 |
| CD363 | | PAD | 1 |
| CD368/1 | | SPRING TO HOLD THE HOSE UP | 1 |
| CD368/2 | | CLIP FOR SPRING | 1 |
| CD378 | | HOSE CLAMP 10/12 ONE EAR | 1 |
| CD378/1 | | HOSE CLAMP 9/11 TWO EARS | 1 |
| CD490 | | ANGLE CONNECTION | 1 |
| FS200/120 | | NEW IRON PLATE 120V | 1 |
| FS003 | | ADJUSTABLE THERMOSTAT | 1 |
| FS004 | | THERMOSTAT 271 WITH MANUAL RESET | 1 |
| FS005 | | CORK HANDLE | 1 |
| FS006 | | BRACKET | 1 |
| FS007 | | CAP | 1 |
| FS009 | | WIRING | 1 |
| FS011 | | INSERT FOR HANDLE | 1 |
| FS012 | | SCREW M4x22 FOR THERMOSTAT FIXING | 1 |
| FS014 | | SCREW FOR BACKHANDLE | 3 |
| FS015 | | SCREW FOR MICRO CLOSING | 2 |
| FS016 | | SCREW FOR MICRO-CASE | 1 |
| FS017 | | SCREW FOR HANDLE FIXING M5x10 | 2 |
| FS018 | | SCREW FOR TERMINAL BLOCK FIXING | 3 |
| FS019 | | HANDLE COVER | 1 |
| FS020 | Reliable | BACKHANDLE | 1 |
| FS021 | | BUTTON-CASE | 1 |
| FS022 | | BUTTON-CASE COVER | 1 |
| FS023 | | UPPER BUTTON | 1 |
| FS024 | | LOWER BUTTON | 1 |
| FS025 | | PLATE FOR BRACKET COVER | 1 |
| FS026 | | CORD BLOCKAGE | 1 |
| FS027 | | FRONT HANDLE HOLDER | 1 |
| FS028 | | BACK HANDLE HOLDER | 1 |
| FS030 | | SCREW CAP | 2 |
| FS031 | | BRASS WASHER-SPACER | 2 |
| FS032/1 | | BRASS MALE FEMALE SPACER | 2 |
| FS033 | | MICRON | 1 |
| FS035 | | SCREW FOR HANDLE | 4 |
| FS036 | 120V | BLACK BACHELITE PRINTED KNOB | 1 |
| FS038 | | LOWER HANDLE WASHER FOR SCREW | 2 |
| FS039 | | LOWER HANDLE WASHER FOR KNOB | 1 |
| FS041 | | FAIRLEAD FOR CABLE | 1 |
| FS042 | | DIE CAST COUNTERBALANCE | 1 |
| GV026/9 | | QUICK RELEASE | 1 |

| ITEM | VAR. | DESCRIPTION | Q.TY |
|----------|------|-----------------------------|------|
| GV028/38 | | MALE PLUG | 1 |
| GV028/39 | | REMOVABLE COVER | 1 |
| GV028/40 | | CABLE PRESS FOR MALE SOCKET | 1 |
| RIC003 | | 4 POLE TERMINAL BOARD | 1 |

i60/120V PARTS DRAWING

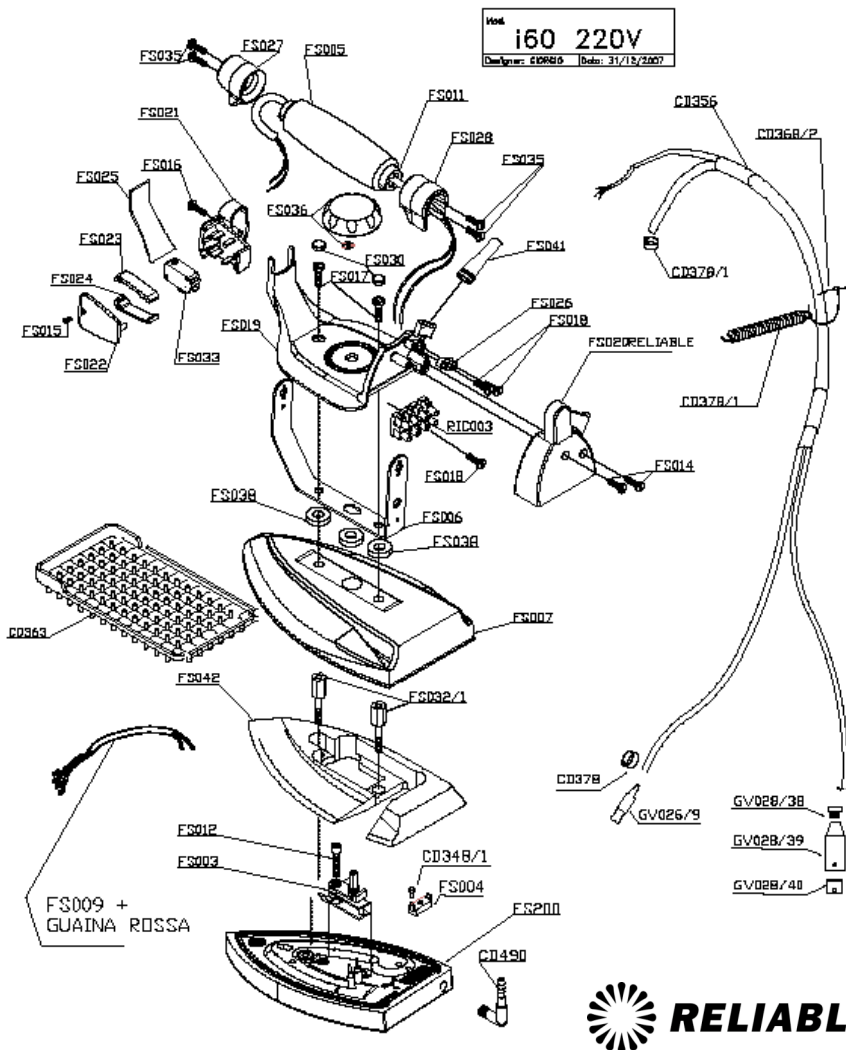


160/220V PARTS LIST

| ITEM | VAR. | DESCRIPTION | Q.TY |
|---------|----------|------------------------------------|------|
| AST114 | | BLOCKAGE FOR IRONING BOARD ELEMENT | 2 |
| CD348/1 | | SCREW FOR BULB THERMOSTAT | 1 |
| CD356 | | MONO-HOSE MT 2,2 5X10 | 1 |
| CD363 | | PAD | 1 |
| CD368/1 | | SPRING TO HOLD THE HOSE UP | 1 |
| CD368/2 | | CLIP FOR SPRING | 1 |
| CD378 | | HOSE CLAMP 10/12 ONE EAR | 1 |
| CD378/1 | | HOSE CLAMP 9/11 TWO EARS | 1 |
| CD490 | | ANGLE CONNECTION | 1 |
| FS200 | | NEW IRON PLATE | 1 |
| FS003 | | ADJUSTABLE THERMOSTAT | 1 |
| FS004 | | THERMOSTAT 271 WITH MANUAL RESET | 1 |
| FS005 | | CORK HANDLE | 1 |
| FS006 | | BRACKET | 1 |
| FS007 | | CAP | 1 |
| FS009 | | WIRING | 1 |
| FS011 | | INSERT FOR HANDLE | 1 |
| FS012 | | SCREW M4x22 FOR THERMOSTAT FIXING | 1 |
| FS014 | | SCREW FOR BACKHANDLE | 3 |
| FS015 | | SCREW FOR MICRO CLOSING | 2 |
| FS016 | | SCREW FOR MICRO-CASE | 1 |
| FS017 | | SCREW FOR HANDLE FIXING M5x10 | 2 |
| FS018 | | SCREW FOR TERMINAL BLOCK FIXING | 3 |
| FS019 | | HANDLE COVER | 1 |
| FS020 | RELIABLE | BACKHANDLE | 1 |
| FS021 | | BUTTON-CASE | 1 |
| FS022 | | BUTTON-CASE COVER | 1 |
| FS023 | | UPPER BUTTON | 1 |
| FS024 | | LOWER BUTTON | 1 |
| FS025 | | PLATE FOR BRACKET COVER | 1 |
| FS026 | | CORD BLOCKAGE | 1 |
| FS027 | | FRONT HANDLE HOLDER | 1 |
| FS028 | | BACK HANDLE HOLDER | 1 |
| FS030 | | SCREW CAP | 2 |
| FS031 | | BRASS WASHER-SPACER | 2 |
| FS032/1 | | BRASS MALE FEMALE SPACER | 2 |
| FS033 | | MICRON | 1 |
| FS035 | | SCREW FOR HANDLE | 4 |
| FS036 | | BLACK BACHELITE PRINTED KNOB | 1 |
| FS038 | | LOWER HANDLE WASHER FOR SCREW | 2 |
| FS039 | | LOWER HANDLE WASHER FOR KNOB | 1 |
| FS041 | | FAIRLEAD FOR CABLE | 1 |
| FS042 | | DIE CAST COUNTERBALANCE | 1 |
| GV026/9 | | QUICK RELEASE | 1 |

| ITEM | VAR. | DESCRIPTION | Q.TY |
|----------|------|-----------------------------|------|
| GV028/38 | | MALE PLUG | 1 |
| GV028/39 | | REMOVABLE COVER | 1 |
| GV028/40 | | CABLE PRESS FOR MALE SOCKET | 1 |
| RIC003 | | 4 POLE TERMINAL BOARD | 1 |

i60/220V PARTS DRAWING



RELIABLE PRODUCTS WARRANTY



LIMITED 1 YEAR WARRANTY

For a period of one year from date of purchase we will, free of charge, repair defects in material or workmanship which appear in the mechanical or electrical parts of all *RELIABLE™* brand products excluding all wear and tear components.

Wear and Tear Component List:

Steam Equipment: Press pad and cover, Teflon® seals, Teflon® shoe, steam-electric hoses
Sewing Equipment: Hooks, loopers, stitch plates, feed dogs, needles, motor clutch disc, brushes, fuse
Cloth Cutting Equipment: Blades, stones, sharpening bands, shoe
Halogen Lights: Bulbs

LIMITED 90-DAY WARRANTY ON ALL PARTS AND ADJUSTMENTS

For a period of 90 days from date of purchase we will, free of charge, provide required adjustments and repairs to your *RELIABLE™* product.

Warranty service is available by returning the product with this warranty document and proof of purchase to your nearest authorized RELIABLE™ service center.

This limited warranty is in effect provided that your machine is used for normal purposes for which it was intended, and is given reasonable good care and maintenance in accordance with the instructions contained in the instruction booklet.

Your authorized dealer (or Reliable Corporation) will not be held responsible for damage if the machine has been repaired by an unauthorized dealer.

These warranties give you specific legal rights and you may have other rights, which vary from province/state to province/state.

If you have any questions regarding these warranties, you may write to:

RELIABLE CORPORATION
100 WINGOLD AVENUE, UNIT 5
TORONTO, ONTARIO M6B 4K7
CANADA

Reliable Corporation

5-100 Wingold Ave.
Toronto, ON M6B 4K7
Canada

P 416 785 0200
F 416 785 7038
TF 800 268 1649

www.reliablecorporation.com

Free Manuals Download Website

<http://myh66.com>

<http://usermanuals.us>

<http://www.somanuals.com>

<http://www.4manuals.cc>

<http://www.manual-lib.com>

<http://www.404manual.com>

<http://www.luxmanual.com>

<http://aubethermostatmanual.com>

Golf course search by state

<http://golfingnear.com>

Email search by domain

<http://emailbydomain.com>

Auto manuals search

<http://auto.somanuals.com>

TV manuals search

<http://tv.somanuals.com>