

REMINGTON®

DUAL-ACTION ELECTRIC HEDGE TRIMMER

OWNER'S MANUAL



MODELS: HT3218A and HT4022A

IMPORTANT: Read and understand this manual before assembling or operating this tool. Improper use of this tool can cause severe injury or death. Keep this manual for future reference.



LISTED

 **Double Insulated**

table of contents

1	<i>Important Safety Information</i>	<i>1</i>
2	<i>Product Identification</i>	<i>3</i>
3	<i>Trimmer Operation</i>	<i>4</i>
	Extension Cords	<i>4</i>
	Starting the Hedge Trimmer	<i>5</i>
	Trimming a Hedge	<i>6</i>
4	<i>Trimmer Maintenance</i>	<i>7</i>
5	<i>Troubleshooting</i>	<i>8</i>
6	<i>Warranty Information</i>	<i>9</i>

welcome

Thank you for purchasing this Remington® Dual-action Electric Hedge Trimmer. We are proud to offer this quality product to assist you in keeping your property neat and well-groomed.

This owner's manual provides complete instructions for safely assembling, operating, and maintaining your hedge trimmer. Read and save these instructions. Refer to this manual each time before using your hedge trimmer.

For easy reference, record the information from the carton and Remington® name-plate label located on the tool.

Model Number: _____
Date Purchased: _____
Where Purchased: _____

If you have a question or problem,
CALL TOLL FREE 1-800-858-8501
or visit www.desatech.com

1 important safety information

SAFETY WARNINGS

⚠ WARNING: When using electric gardening appliances, basic safety precautions should always be followed to reduce the risk of fire, electric shock, and personal injury, including the following:

READ ALL INSTRUCTIONS BEFORE OPERATING TRIMMER.

⚠ WARNING: This product contains chemicals known to the State of California to cause cancer or birth defects, or other reproductive harm.

BEFORE OPERATING TRIMMER

1. Avoid Dangerous Environments
 - Do not operate trimmer in rain or in damp or wet locations.
 - Do not operate trimmer while under the influence of alcohol, medications, or drugs.
 - Do not operate trimmer when you are tired.
 - Do not operate trimmer while standing on a ladder or in a tree.
 - Do not operate trimmer if it is damaged or not securely and fully assembled.
2. Keep children away. Keep all bystanders a safe distance from work area.
3. Do not use trimmer for any job except that for which it is intended.
4. Only well instructed adults should operate trimmer. Never allow children to operate trimmer.

5. Dress properly when operating trimmer.
 - Do not wear loose clothing or jewelry that can get caught in the moving blades or parts of the trimmer.
 - Always wear rubber gloves and substantial foot wear when working outside.
 - Always wear protective hair covering to contain long hair.
 - Always wear a face or dust mask if operation is dusty.
6. Always wear eye protection that meets or exceeds the requirements of ANSI Z87.1.
7. Wear long pants and shoes when operating this tool.

⚠ WARNING: To reduce the risk of electric shock, use only with an extension cord intended for outdoor use, such as SW-A, SOW-A, STW-A, STOW-A, SJW-A, SJOW-A, SJTW-A, or SJTOW-A.

8. Make sure your extension cord is in good condition. When using an extension cord, be sure to use one heavy enough to carry the current your trimmer will draw. An undersized extension cord will cause a drop in line voltage resulting in loss of power and overheating.

The table below shows the correct size extension cord to use depending on cord length and nameplate ampere rating. If in doubt, use the next larger gauge cord. The smaller the gauge number, the larger the cord. To reduce the risk of disconnection of trimmer from the extension cord during operation, use the cord hitch described in this manual.

Cord Length	AWG Cord Size
25 feet	18 AWG
50 feet	16 AWG
100 feet	16 AWG
150 feet	14 AWG

9. To reduce the risk of electric shock, the trimmer has a polarized plug (one blade is wider than the other) and will require the use of a polarized extension cord. The trimmer's plug will fit into a polarized extension cord only one way. If the plug does not fit fully into the extension cord, reverse the plug. If the plug still does not fit, obtain a correct polarized extension cord. A polarized extension cord will require the use of a polarized wall outlet. This plug will fit into the polarized wall outlet only one way. If the plug does not fit fully into the wall outlet, reverse the plug. If the plug still does not fit, contact a qualified electrician to install the proper wall outlet. Do not change the trimmer plug, extension cord receptacle, or extension cord plug in any way.
10. Provide Ground Fault Circuit Interrupter (GFCI) protection on the circuit or outlet to be used for trimmer. You may use receptacles with built-in GFCI protection for this safety measure.
11. Do not operate trimmer near electric power lines, telephone, or cable lines. Keep trimmer at least 10 feet away from any power lines or cables.

WHILE OPERATING TRIMMER

1. Stay alert. Watch what you are doing. Use common sense.
2. Be aware of extension cord while operating trimmer. Be careful not to trip over extension cord. Keep extension cord away from cutter blades at all times.
3. Avoid unintentional starting. Do not carry plugged-in trimmer with finger on switch. Be sure switch is OFF when plugging in trimmer.
4. Do not overreach. Keep proper footing and balance at all times when operating trimmer.

⚠ DANGER - RISK OF CUT – Keep hands away from blades at all times. Keep both hands on handles when trimming. Do not attempt to remove cut material nor hold material to be cut when blades are moving. Do not grasp the exposed cutting blades or cutting edges when picking up or holding the trimmer.

⚠ CAUTION - Blades coast after turn off.

5. Disconnect the trimmer from the power supply
 - when not in use
 - before servicing
 - when clearing jammed material from blades
 - when moving from one worksite to another
6. Do not force trimmer. It will do the job better and with less likelihood of a risk of injury at the rate for which it was designed.

7. Do not abuse power cord. Never carry trimmer by power cord. Never yank cord to disconnect from receptacle. Keep power cord from heat, oil, and sharp edges.
8. Before starting trimmer, make sure blades are not touching anything.

MAINTENANCE AND STORAGE OF TRIMMER

1. Maintain trimmer with care.
 - Keep cutting edge sharp and clean for best performance and to reduce the risk of injury.
 - Follow instruction for lubricating
 - Inspect trimmer cord periodically, and if damaged, have it repaired by a qualified service facility.
 - Inspect extension cords periodically and replace if damaged.
 - If trimmer is not working properly, has been dropped, damaged, left outdoors, or dropped into water, have it repaired by a qualified service center.
 - Keep handles dry, clean, and free from oil and grease.
2. Check damaged parts.
 - If a part is damaged, carefully check the damaged part before using the trimmer. Make sure the part will operate properly and perform its intended function.
 - Check for alignment of moving parts, binding of moving parts, breakage of parts, mounting, and any other condition that may affect its operation.
 - A guard or other part that is damaged should be properly repaired or replaced by an qualified service center unless indicated elsewhere in this manual.

3. Servicing of Double-Insulated Tools:

- In a double-insulated tool, two systems of insulation are provided instead of grounding. No grounding means is provided on a double-insulated tool, nor should a means for grounding be added to the tool. Servicing a double-insulated tool requires extreme care and knowledge of the system, and should be done only by qualified service personnel. Replacement parts for a double-insulated tool must be identical to the parts they replace.

4. Store idle trimmer indoors. When not in use, store trimmer and extension cord indoors in a dry location. Store trimmer above the reach of children or in a locked area out of the reach of children.

This manual is your guide to safe and proper operation of the trimmer.

SAVE THESE INSTRUCTIONS.

2 product identification

- A. Rear Handle
- B. Rear Handle Trigger Switch
- C. Front Handle
- D. Front Handle Trigger Switch
- E. Front Hand Guard
- F. Cutter Blades
- G. Extension Cord Retainer
- H. Power Cord

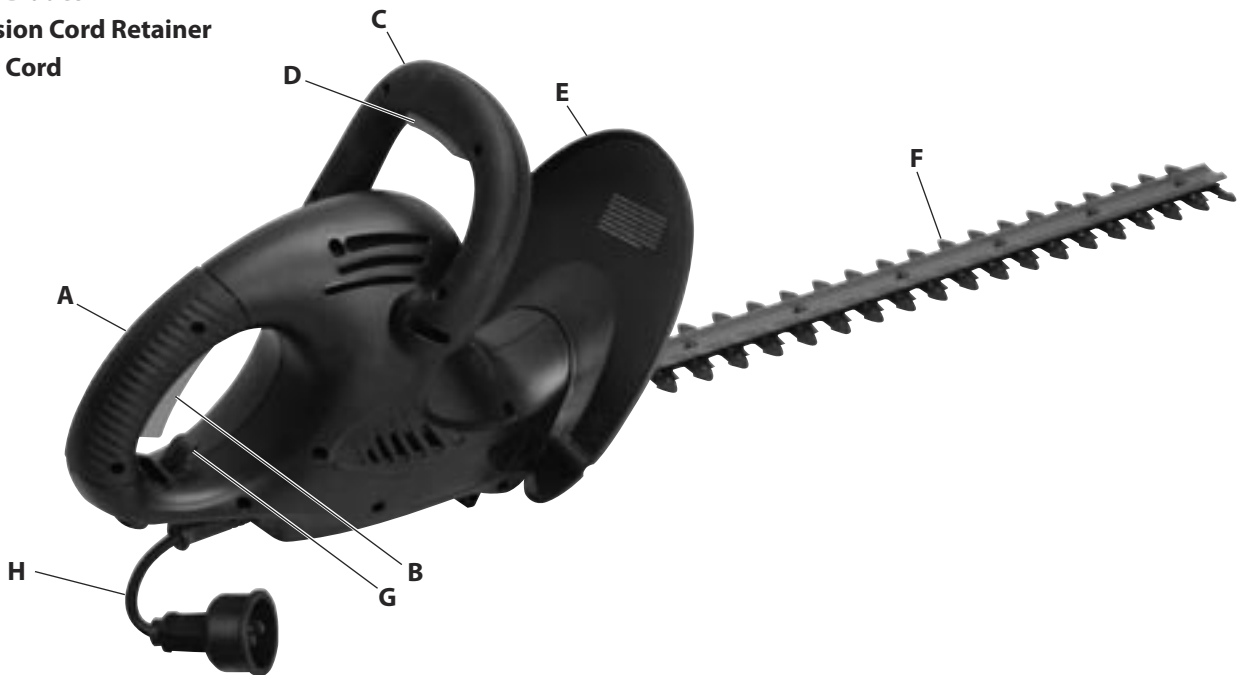


Figure 2-1: Remington® dual-action electric hedge trimmer

Specifications

	HT3218A	HT4022A
Input	120V, 3.2A	120V, 4.0A
Cutting Rate	3500 spm	3500 spm
Blade Length	18 inches (45.7cm)	22 inches (55.9cm)
Max. Cutting	3/4 inch (19mm)	3/4 inch (19mm)
Net Weight	6.2 lbs. (2.8 Kg)	6.5 lbs. (2.9 Kg)

3 trimmer operation

⚠ WARNING: Read and understand this owner's manual before operating trimmer. Make certain you read and understand all *Safety Warnings* on pages 1 and 2 of this manual. Improper use of this trimmer can result in severe injury or death from fire, electric shock, or body contact with moving parts.

Extension Cords

Use proper extension cord with this trimmer. Use only a polarized (i.e., one blade is wider than the other), UL listed extension cord marked for outdoor use. The cord must be marked with suffix W or W-A following the cord type designation. *Example:* SJTW-A or SJTW.

Use proper sized cord with this trimmer. Cord must be heavy enough to carry current needed. An undersized cord will cause voltage drop at trimmer. The trimmer will lose power and overheat. Follow cord size requirements listed below.

Cord Length	AWG Cord Size
25 feet	18 AWG
50 feet	16 AWG
100 feet	16 AWG
150 feet	14 AWG

Keep cord away from cutting area. Make sure cord does not catch on branches during cutting. Inspect cord often. Replace damaged cords.

Connecting Extension Cord

⚠ WARNING: Fully seat the extension cord on the power cord of tool. Failure to do so could lead to overheating of trimmer. This could cause a fire that results in personal injury to you or others.

The trimmer has a built-in extension cord retainer. This cord hitch prevents accidental disconnection of the power cord during use. The cord hitch is molded into the lower hand guard area of the tool housing.

1. Plug the power cord into the extension cord (see Figure 3-1).
2. Create a loop in the extension cord and insert the loop through the bottom of the tool housing (see Figure 3-2).
3. Pull the loop tight around the molded cord hitch (see Figure 3-3).

Note: An optional method of retaining the extension cord is shown in Figure 3-4. Use this method with larger-gauge cords that may not fit into the extension cord retainer.



Figure 3-1: Plugging trimmer power cord into extension cord



Figure 3-2: Inserting extension cord loop through bottom of handle



Figure 3-3: Pull extension cord loop tight around molded cord hitch



Figure 3-4: Optional method of retaining extension cord

Starting the Hedge Trimmer

As a safety feature, this trimmer has dual trigger switches. One trigger switch is located on the rear handle and the other trigger switch is located on the front handle (see Figure 3-5). You must squeeze both trigger switches to operate the trimmer.

⚠ WARNING: Do not modify this trimmer to bypass the dual trigger switch safety feature. This feature is designed to keep both of your hands on the tool handles and away from the cutting bar.

Basic Trimmer Operation

This tool is designed to trim and shape hedges and shrubs with ease. Follow the steps below to start and stop the trimmer.

1. Hold the front handle with one hand, squeezing the front trigger switch (see Figure 3-6).
2. While gripping the rear handle, squeeze the rear trigger switch. The trimmer will start immediately (see Figure 3-7).
3. To stop the trimmer, release one or both of the trigger switches (see Figure 3-8). The trimmer will coast to a stop.



Figure 3-5: Front and rear trigger switches



Figure 3-7: Squeezing rear trigger switch to start trimmer



Figure 3-6: Positioning hand on front handle



Figure 3-8: Releasing trigger switch to stop trimmer

Trimming a Hedge

Use the trimmer properly. Always wear eye protection, rubber gloves, and substantial foot wear while using the trimmer (see Figure 3-9). Always maintain proper footing and balance. Never overreach when using trimmer. Before starting the trimmer, hold the unit with both hands on the grip areas. Make sure that the cutter blade is not touching anything.

Always keep the extension cord behind the trimmer when in use. Do not drape the cord over the hedge where it may be cut by the blades (see Figure 3-10).

Use smooth steady sweeping motions to trim new growth (see Figure 3-11). Do not try to cut too much at one time. This can cause the trimmer to slow down or get jammed, reducing the cutting efficiency.

Do not force the trimmer through dense growth. A slight back and forth sawing action may ease the cutting of larger, more dense growth. If the trimmer begins to slow down, reduce the rate of speed at which you are trying to cut.

If the trimmer becomes jammed, immediately turn trimmer off. Disconnect trimmer from the power supply and remove the jammed debris from the cutter blades.

Do not try to cut branches larger than 3/4 inch in diameter.

For best results, trim the sides of hedges with an upward sweeping motion (see Figure 3-12). Cut from the bottom and work your way up. This will keep cut material from falling into areas not yet cut.

Trim the hedges so that the top is slightly narrower than the bottom.

To trim extremely level hedges, use a string stretched along the length of the hedge as a guide (See Figure 3-13).



Figure 3-9: Proper clothing, stance and grip



Figure 3-10: Protecting extension cord



Figure 3-11: Trimming new growth



Figure 3-12: Trimming sides of hedges

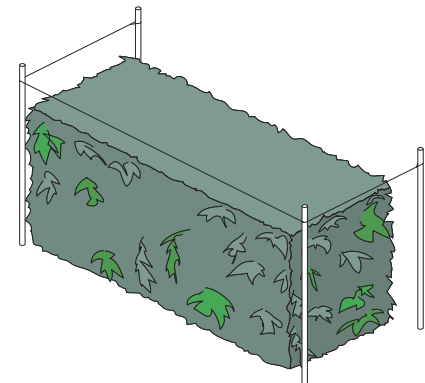


Figure 3-13: Using string to make level cuts

4 trimmer maintenance

Cleaning and Maintenance

⚠ WARNING: Disconnect trimmer from power supply before cleaning or servicing. Severe injury or death could occur from fire, electrical shock, or body contact with moving cutter blades.

⚠ WARNING: When cleaning trimmer:

- Do not submerge trimmer in any liquids
- Do not use products that contain Ammonia, Chlorine, or abrasives
- Do not use chlorinated cleaning solvents, Carbon Tetrachloride, Kerosene, or Gasoline.

Use a soft cloth dampened with a mild soap and water mixture to wipe trimmer housing. Use a stiff brush to clean cutter blades, then wipe with a cloth. Do not spray or pour water directly onto trimmer.

Once the trimmer is cleaned, apply a light coat of oil to the cutter blades to prevent rust and provide lubrication.



Figure 4-1: Cleaning trimmer housing



Figure 4-3: Oiling cutter blades



Figure 4-2: Cleaning cutter blades

5 troubleshooting

⚠ WARNING: Unplug trimmer from power source before servicing. Severe injury or death could occur from fire, electrical shock, or body contact with moving blades.

Note: For additional help, visit our technical service web site at www.desatech.com.

OBSERVED FAULT	POSSIBLE CAUSE	REMEDY
Motor does not run when you squeeze trigger switches	<ol style="list-style-type: none"> Both trigger switches are not fully depressed at the same time Extension cord connection is loose Household circuit breaker is tripped or open line fuse 	<ol style="list-style-type: none"> Fully squeeze both front and rear trigger switches (see <i>Basic Trimmer Operation</i>, page 5) Check cord connections Check circuit breaker or line fuse
Motor runs, but cutting blades do not move	Trimmer damaged. Do not use trimmer	Contact DESA Specialty Products™ if still under warranty
Trimmer smokes during operation	Trimmer damaged. Do not use trimmer	Contact DESA Specialty Products™ if still under warranty

Technical Service

You may have further questions about assembling, operating, or maintaining this hedge trimmer. If so, you can visit our Technical Service web site at www.desatech.com or contact our Technical Service Department at 1-800-858-8501 (English only). You may also write to:

DESA Specialty Products™
 ATTN: Technical Service Specialty Products
 P.O. Box 90004
 Bowling Green, KY 42102-9004

When contacting DESA Specialty Products™, have ready

- Your Name
- Your Address
- Your Phone Number
- Model Number of Product
- Date of Purchase (include copy of receipt for written requests)

6 warranty information

REMINGTON® DUAL-ACTION ELECTRIC HEDGE TRIMMER LIMITED WARRANTY

Always specify model number when contacting the factory.

We reserve the right to amend these specifications at any time without notice. The only warranty applicable is our standard written warranty. We make no other warranty, expressed or implied.

DESA Specialty Products™ warrants this Dual-action Electric Hedge Trimmer and any parts thereof, to be free from defects in material and workmanship for two years (90 days for reconditioned unit) from the date of first purchase from an authorized dealer, provided that the product has been properly maintained and operated in accordance with all applicable instructions. This warranty is extended only to the original retail purchaser. The bill of sales or proof of purchase must be presented at the time a claim is made under this warranty.

This warranty does not cover commercial, industrial, or rental usage, nor does it apply to parts that are not in original condition because of normal wear and tear, or parts that fail or become damaged as a result of misuse, accident, lack of proper maintenance, tampering, or alteration. Travel, handling, transportation, and incidental costs associated with warranty repairs are not reimbursable under this warranty and are the responsibility of the owner.

To the full extent allowed by the law of the jurisdiction that governs the sale of the product, this express warranty excludes any and all other expressed warranties and limits the duration of any and all implied warranties, including warranties of merchantability and fitness for a particular purpose to two years from the date of first purchase, and DESA Specialty Products™ liability is hereby limited to the purchase price of the product and DESA Specialty Products™ shall not be liable for any other damages whatsoever including indirect, incidental, or consequential damages.

Some states do not allow limitation of how long an implied warranty lasts or an exclusion or limitation of incidental or consequential damages, so the above limitation of damages may not apply to you.

This warranty provides the original purchaser with specific rights. For information regarding those rights, please consult the applicable state laws.

DESA
SPECIALTY PRODUCTS
 P.O. Box 90004
 Bowling Green, KY 42102-9004
www.desatech.com

REMINGTON®

PODADORA ELÉCTRICA DE BORDES DE DOBLE ACCIÓN MANUAL DEL PROPIETARIO



MODELOS: HT3218A y HT4022A

IMPORTANTE: Lea y entienda este manual antes de ensamblar u operar esta podadora. El uso incorrecto de esta podadora puede causar una lesión severa o la muerte. Guarde este manual como referencia para el futuro.



 Con doble aislamiento

tabla de contenidos

1	<i>Importante información sobre la seguridad</i>	<i>1</i>
2	<i>Identificación del producto</i>	<i>3</i>
3	<i>Operación de la podadora</i>	<i>4</i>
	Cordones de extensión	<i>4</i>
	Arranque de la podadora de bordes	<i>5</i>
	Recorte de un borde	<i>6</i>
4	<i>Mantenimiento de la podadora</i>	<i>7</i>
5	<i>Análisis de averías</i>	<i>8</i>
6	<i>Información sobre la garantía</i>	<i>9</i>

bienvenido

Muchas gracias por comprar esta Podadora Remington® eléctrica de bordes de doble acción.

Tenemos el orgullo de ofrecerle este producto de calidad para ayudarle a mantener su establecimiento limpio y bien mantenido.

Este manual del propietario ofrece completas instrucciones para ensamblar, operar y mantener en forma segura su podadora de bordes. Lea y guarde estas instrucciones. Consulte este manual cada vez que use su podadora de bordes.

Para una fácil referencia, registre la información del cartón y de la etiqueta sobre la placa de Remington® colocada en la herramienta.

Modelo Número: _____

Fecha de Compra: _____

Lugar de Compra: _____

Si tiene alguna pregunta o problema
LLAME A LA LÍNEA GRATIS
1-800-858-8501 (sólo inglés)
o visite www.desatech.com

1 importante información sobre la seguridad

ADVERTENCIAS DE SEGURIDAD

⚠️ ADVERTENCIA: Cuando utilice los aparatos eléctricos de jardinería se deben obedecer todas las precauciones de seguridad básicas para reducir el riesgo de incendio, sacudida eléctrica y lesiones personales, incluyendo lo siguiente:

LEA TODAS LAS INSTRUCCIONES ANTES DE USAR LA PODADORA.

⚠️ ADVERTENCIA: Este producto contiene sustancias químicas conocidas en el Estado de California como causas de cáncer, de defectos congénitos o de otros daños de reproducción.

ANTES DE USAR LA PODADORA

- Evite los ambientes peligrosos
 - No use la podadora en la lluvia o en lugares húmedos o mojados.
 - No use la podadora bajo la influencia del alcohol, de medicamentos o de drogas.
 - No use la podadora cuando está cansado.
 - No use la podadora si está dañada o si no está ensamblada en forma segura y por completo.
- Mantenga lejos a los niños. Mantenga a todos los espectadores a una distancia segura del área de trabajo.
- No use la podadora para ningún trabajo excepto para el que ha sido diseñado.
- Sólo los adultos bien instruidos deberían usar la podadora. Nunca permita que los niños la usen.

- Vístase en forma apropiada cuando use la podadora.
 - No use ropa floja o joyas que puedan atorarse en las partes móviles de la podadora.
 - Use siempre guantes de caucho y zapatos apropiados cuando trabaje a la intemperie.
 - Use siempre una cobertura protectora del pelo para cubrir el pelo largo.
 - Use siempre una máscara facial o contra el polvo si la usa en un sitio polvoriento.
- Use siempre protección ocular que cumpla o exceda con los requisitos de ANSI Z87.1.
- Use pantalones largos y zapatos cuando use esta herramienta.

⚠️ ADVERTENCIA: Para reducir el riesgo de choque eléctrico use sólo un cordón de extensión diseñado para uso a la intemperie tales como SW-A, SOW-A, STW-A, STOW-A, SJW-A, SJOW-A, SJTW-A, o SJTOW-A.

- Asegúrese que su cordón de extensión esté en buenas condiciones. Cuando use un cordón de extensión, esté seguro de usar uno del calibre suficiente para que pueda transportar la corriente absorbida por su podadora eléctrica de bordes. Un cordón de extensión subdimensionado producirá una caída de voltaje en la línea con la consiguiente pérdida de potencia y sobrecalentamiento. La tabla de abajo muestra el tamaño correcto del cordón de extensión a usarse según la longitud del cordón y los amperios nominales de la placa de datos. Si hay duda use un cordón del calibre inmediato superior. Mientras menor es el número del calibre más grueso es el cordón. Para reducir el riesgo de que la podadora se desconecte del cordón de extensión durante la operación, utilice el enganche del cordón descrito en este manual.

Largo del cordón	Tamaño AWG del cordón
25 pies	18 AWG
50 pies	16 AWG
100 pies	16 AWG
150 pies	14 AWG

- Para reducir el riesgo de sacudida eléctrica, esta podadora tiene un enchufe polarizado (la una clavija es más ancha que la otra) y se necesitará usar un cordón de extensión polarizado. El enchufe de la podadora encajará en el cordón de extensión polarizado sólo de una forma. Si el enchufe no encaja completamente en el cordón de extensión, invierta el enchufe. Si aún así el enchufe no encaja, consiga un cordón de extensión polarizado. Un cordón de extensión polarizado requerirá de un tomacorriente de pared polarizado. Este enchufe encajará en el tomacorriente de pared polarizado sólo de un modo. Si el enchufe no encaja completamente en el tomacorriente de pared, invierta el enchufe. Si aún así no encaja, póngase en contacto con un electricista calificado para que instale el tomacorriente de pared apropiado. No haga ninguna clase de cambios ni en el enchufe de la podadora, ni en el cordón de extensión ni en el enchufe del cordón.
- Proporcione protección mediante un cortacircuito por falla a tierra (GFCI) intercalado ya sea en el circuito o en el tomacorriente que va ha usar para la podadora. Puede usar tomacorrientes con protección GFCI incorporada para este medio de seguridad.
- No use la podadora cerca de líneas eléctricas de alimentación, teléfonos o líneas de cables. Manténgala por lo menos a 10 pies de distancia de las líneas o cables de alimentación.

MIENTRAS USE LA PODADORA

1. Esté alerta. Observe lo que está haciendo. Use el sentido común.
2. Esté al corriente del cordón de extensión mientras usa la podadora. Tenga cuidado de no tropezarse sobre el cordón de extensión. Mantenga siempre el cordón de extensión lejos de las cuchillas cortadoras.
3. Evite un arranque no intencionado. No transporte la podadora conectada con el dedo en el interruptor. Asegúrese que el interruptor esté APAGADO (OFF) cuando conecte la podadora.
4. No extienda su cuerpo demasiado. Mantenga siempre el correcto punto de apoyo y equilibrio cuando use la podadora.

⚠ PELIGRO - RIESGO DE CORTE - Mantenga siempre las manos lejos de las cuchillas. Mantenga las dos manos en las asas cuando corte. No trate de quitar el material cortado ni de sostener el material que va a cortar cuando las cuchillas están en movimiento. No agarre las cuchillas cortadoras expuestas ni los bordes cortantes cuando levante o sostenga la podadora.

⚠ PRECAUCIÓN - Las cuchillas se mueven después que se las apaga.

5. Desconecte la podadora de la fuente de alimentación
 - cuando no la use
 - antes de darle servicio
 - cuando quite el material atascado en las cuchillas
 - cuando vaya de un sitio de trabajo a otro
6. No fuerce la podadora. Hará un mejor trabajo y con menos posibilidad de riesgo a la velocidad para la cual fue diseñada.

7. No abuse del cordón de extensión. Nunca hale o transporte la podadora usando el cordón de extensión. Nunca tire del cordón para desconectarlo del receptáculo. Mantenga el cordón lejos del calor, aceite y bordes agudos.
8. Antes de arrancar la podadora asegúrese que las cuchillas no estén tocando nada.

MANTENIMIENTO Y ALMACENAMIENTO DE LA PODADORA

1. Dé mantenimiento a la podadora con cuidado.
 - Mantenga el borde cortante afilado y limpio para un mejor rendimiento y para reducir el riesgo de lesiones.
 - Siga las instrucciones para lubricación.
 - Inspeccione periódicamente el cordón de la podadora, y si está dañado hágalo reparar en un establecimiento de servicio calificado.
 - Inspeccione periódicamente los cordones de extensión y cámbielos si están dañados.
 - Si la podadora no funciona correctamente, se ha caído, dañado, se la ha dejado fuera de casa o se ha caído en agua, hágala reparar en un centro de servicio calificado.
 - Mantenga las asas secas, limpias y sin aceite o grasa.
2. Revise las piezas dañadas.
 - Si una pieza está dañada, revise con cuidado la pieza dañada antes de usar la podadora. Asegúrese que la pieza funcionará apropiadamente y realizará el trabajo que debe hacer.
 - Revise la alineación de las piezas móviles, la unión de las piezas móviles, la rotura de las piezas, el ensamble y cualquier otra condición que pueda afectar su funcionamiento.

- Una protección o cualquier otra pieza que esté dañada debe ser reparada apropiadamente o cambiada por un centro de servicio calificado a no ser que se indique en alguna parte de este manual.
3. Prestación de servicio a herramientas con doble aislamiento.
 - En una herramienta con doble aislamiento se ofrecen dos sistemas de aislamiento en lugar de conexión a tierra. En una herramienta con doble aislamiento no se ofrece medios de conexión a tierra ni se deben añadir medios de conexión a tierra a la herramienta. El prestar servicio a una herramienta con doble aislamiento requiere un cuidado extremo y conocimiento del sistema y debe ser hecho sólo por el personal de servicio calificado. Las piezas de reemplazo para la herramienta con doble aislamiento deben ser idénticas a las piezas que se reemplazan.
 4. Si no la está utilizando guarde la podadora bajo techo. Cuando no la use, guarde la sopladora/aspiradora y el cordón de extensión en un sitio seco y bajo techo. Guarde la podadora por arriba del alcance de los niños o en un lugar bajo llave fuera del alcance de los niños.

Este manual es su guía para una operación segura y correcta de su podadora.

GUARDE ESTAS INSTRUCCIONES

2 identificación del producto

- A. Asa Delantera
- B. Interruptor del gatillo del asa trasera
- C. Asa delantera
- D. Interruptor del gatillo del asa delantera
- E. Protección delantera de la mano
- F. Cuchillas cortadoras
- G. Retención del cordón de extensión
- H. Cordón de alimentación

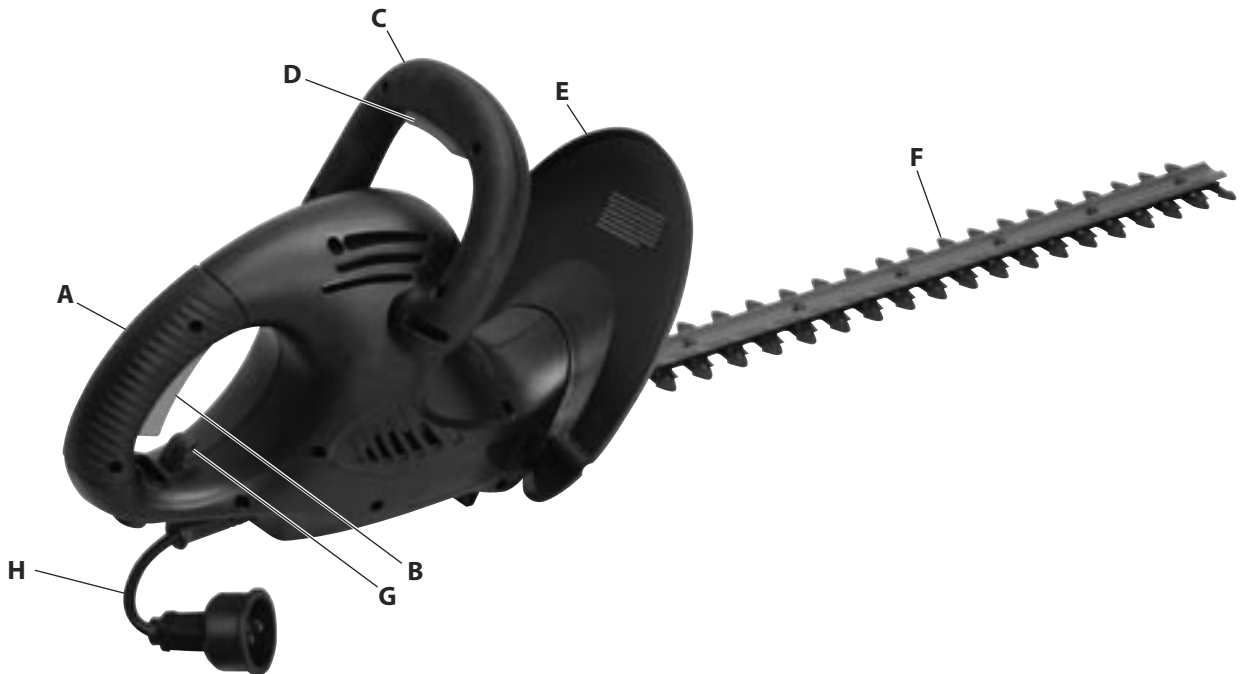


Figura 2-1: Podadora Remington® eléctrica de bordes de doble acción

Especificaciones

	HT3218A	HT4022A
Alimentación	120V, 3.2A	120V, 4.0A
Velocidad de corte	3500 spm	3500 spm
Largo de la cuchilla	45.7cm (18 pulgadas)	55.9cm (22 pulgadas)
Corte Máx.	19mm (3/4 pulgada)	19mm (3/4 pulgada)
Peso neto	2.8 Kg (6.2 lbs.)	2.9 Kg (6.5 lbs.)

3 operación de la podadora

⚠️ ADVERTENCIA: Lea y entienda este manual del propietario antes de operar la podadora. Asegúrese de leer y entender todas las *Advertencias de Seguridad* de las páginas 1 y 2 de este manual. El uso incorrecto de esta podadora puede causar graves lesiones o la muerte por incendio, sacudida eléctrica, o contacto corporal con las piezas móviles.

Cordones de Extensión

Use el cordón apropiado con esta herramienta. Use sólo una extensión polarizada (es decir una clavija es más ancha que la otra), listada por UL y marcada para uso a la intemperie. El cordón debe estar marcado con el sufijo W o W-A y seguido por la designación del tipo de cordón. *Ejemplo:* SJTW-A o SJTW.

Use el cordón de tamaño apropiado con esta podadora. El cordón debe ser lo suficientemente grueso para llevar la corriente necesaria. Un cordón subdimensionado producirá una caída de voltaje en la podadora. La podadora perderá potencia y se sobrecalentará. Siga los requisitos de tamaño del cordón que se listan a continuación.

Largo del cordón	Tamaño AWG del cordón
25 pies	18 AWG
50 pies	16 AWG
100 pies	16 AWG
150 pies	14 AWG

Mantenga el cordón lejos del área de corte. Asegúrese que el cordón no se enrede en las ramas mientras corte. Inspeccione el cordón con frecuencia. Cambie los cordones dañados.

Conexión del cordón de extensión

⚠️ ADVERTENCIA: Asiente por completo el cordón de extensión sobre el cordón de alimentación de la herramienta. Si no hace así, la podadora podría recalentarse. Esto a su vez podría ocasionar un incendio que le produciría lesiones a usted y a los demás.

La podadora tiene una retención incorporada para cordón de extensión. Este enganche de cordón evita la desconexión accidental de la alimentación durante el uso. El enganche de cordón está moldeado en el área inferior que protege la mano en la carcasa de la herramienta.

1. Enchufe el cordón de alimentación en el cordón de extensión (vea la Figura 3-1).
2. Haga un lazo en el cordón de extensión e insértelo por la parte inferior de la cubierta de la herramienta (vea la Figura 3-2).
3. Hale el lazo apretándolo alrededor del enganche moldeado del cordón (vea la Figura 3-3).

Nota: Un método opcional de cómo retener el cordón de extensión se muestra en la Figura 3-4. Use este método con cordones de mayor calibre que no quepan en la retención del cordón de extensión.



Figura 3-1: Enchufe del cordón de extensión en el cordón de alimentación



Figura 3-2: Inserción del bucle del cordón de extensión por la parte inferior del asa



Figura 3-3: Hale el bucle del cordón de extensión alrededor del enganche moldeado para cordón



Figura 3-4: Método opcional para retener el cordón de extensión

Arranque de la podadora de bordes

Como un punto de seguridad, esta podadora tiene dos interruptores de gatillo. Un interruptor se encuentra en el asa posterior y el otro interruptor está en el asa delantera (vea la Figura 3-5). Usted debe apretar los dos interruptores para operar la podadora.

⚠ ADVERTENCIA: No modifique esta podadora para pasar por alto la característica de seguridad de doble interruptor del gatillo. Esta característica está diseñada para mantener sus dos manos en las asas y lejos de la barra cortadora.

Operación básica de la podadora

Esta podadora está diseñada para cortar y dar forma a los arbustos con facilidad. Siga los pasos que se indican a continuación para arrancar y parar la podadora.

1. Sostenga el asa delantera con una mano mientras aprieta el interruptor delantero del gatillo (vea la Figura 3-6).
2. Mientras agarra el asa trasera apriete el interruptor trasero del gatillo. La podadora arrancará de inmediato (vea la Figura 3-7).
3. Para parar la podadora suelte uno o los dos interruptores del gatillo (vea la Figura 3-8). La podadora se moverá despacio hasta parar.



Figura 3-5: Interruptores delantero y trasero del gatillo



Figura 3-7: Apriete el interruptor trasero del gatillo para arrancar la podadora



Figura 3-6: Posicionamiento de la mano en el asa delantera



Figura 3-8: Suelte el interruptor del gatillo para parar la podadora

Corte de un arbusto

Use la podadora en forma correcta. Use siempre una protección ocular, guantes de caucho y buenos zapatos mientras use la podadora (vea la Figura 3-9). Mantenga siempre el correcto punto de apoyo y equilibrio. No extienda su cuerpo demasiado cuando use la podadora. Antes de arrancarla, sostenga la unidad con las dos manos en el área de agarre. Asegúrese que la cuchilla cortadora no toque nada.

Mantenga siempre el cordón de extensión detrás de la cortadora cuando la use. No ponga el cordón sobre el arbusto donde puede ser cortado por las cuchillas (vea la Figura 3-10).

Use movimientos de barrido suaves y firmes para cortar el nuevo crecimiento (vea la Figura 3-11). No trate de cortar mucho en una sola pasada. Esto puede hacer que la podadora baje de velocidad o que se atore, reduciendo así la eficiencia del corte.

No fuerce la podadora a través de un crecimiento denso. Un movimiento como de aserrar, hacia delante y hacia atrás, puede facilitar el corte de un crecimiento más grande y más denso. Si la podadora comienza a bajar de velocidad, reduzca el ritmo de velocidad con el que trata de cortar.

Si la podadora se atora, apáguela de inmediato. Desconecte la podadora de la fuente de alimentación y quite la basura atorada en las cuchillas cortadoras.

No trate de cortar ramas más largas de 3/4 de pulgada de diámetro.

Para mejores resultados, corte los bordes de los arbustos con un movimiento de barrido hacia arriba (vea la Figura 3-12). Corte desde abajo y trabaje hacia arriba. Esto evitará que el material cortado caiga en las áreas aún no cortadas.

Corte los arbustos de tal forma que la parte superior quede un poco menos ancha que la parte de abajo.

Para cortar arbustos extremadamente a nivel, use una cuerda extendida a lo largo del arbusto como guía (vea la Figura 3-13).



Figura 3-9: Ropa, postura y agarre apropiados



Figura 3-10: Protección del cordón de extensión



Figura 3-11: Corte del Nuevo crecimiento



Figura 3-12: Corte de los lados de los arbustos

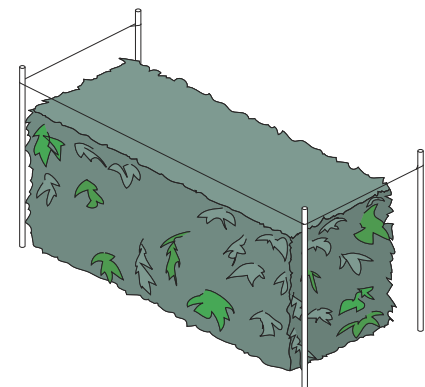


Figura 3-13: Uso de una cuerda para cortar a nivel

4 mantenimiento de la podadora

Limpeza y mantenimiento

⚠️ ADVERTENCIA: Desconecte la podadora de su fuente de alimentación antes de limpiarla o de darle servicio. Pueden ocurrir graves lesiones o la muerte debidas a incendios, sacudida eléctrica o a las cuchillas cortadoras móviles.

⚠️ ADVERTENCIA: Cuando limpie la podadora:

- No la sumerja en ningún líquido
- No use productos que contengan amoníaco, cloro o abrasivos
- No use solventes de limpieza clorinados, tetracloruro de carbono, keroseno o gasolina.

Use un paño suave humedecido con una mezcla de jabón suave y agua para limpiar la carcasa de la podadora. Use un cepillo de cerdas duras para limpiar las cuchillas cortadoras, luego limpie con un paño. No rocíe ni vierta agua directamente sobre la podadora.

Una vez que la podadora esté limpia, aplique una capa ligera de aceite a las cuchillas cortadoras para prevenir la oxidación y dar lubricación.



Figura 4-1: Limpieza de la carcasa de la podadora



Figura 4-3: Enaceitado de las cuchillas cortadoras



Figura 4-2: Limpieza de las cuchillas cortadoras

5 análisis de averías

⚠ ADVERTENCIA: Desconecte la podadora de su fuente de alimentación antes de limpiarla o de darle servicio. Pueden ocurrir graves lesiones o la muerte debidas a incendios, sacudida eléctrica o al contacto corporal con las cuchillas en movimiento.

Nota: Para más ayuda visite nuestro sitio web para servicio técnico en **www.desatech.com**.

FALLA OBSERVADA	POSIBLE CAUSA	REMEDIOS
El motor no arranca cuando aprieta los interruptores del gatillo	<ol style="list-style-type: none"> 1. No se han oprimido al mismo tiempo y por completo los dos interruptores del gatillo 2. La conexión del cordón de extensión está floja 3. El disyuntor de la casa está desconectado o el fusible de la línea está abierto 	<ol style="list-style-type: none"> 1. Oprima por completo los interruptores delantero y trasero del gatillo (vea <i>Operación Básica de la Podadora</i>, página 5) 2. Verifique las conexiones del cordón 3. Verifique el disyuntor o el fusible de la línea
El motor funciona pero las cuchillas cortadoras no se mueven	La cortadora está dañada. No la use	Comuníquese con DESA Specialty Products™ si está todavía bajo garantía
La operadora hecha humo cuando se la usa	La cortadora está dañada. No la use	Comuníquese con DESA Specialty Products™ si está todavía bajo garantía

Servicio Técnico

Usted puede tener más preguntas acerca de cómo ensamblar, operar o mantener esta podadora. Si es así, usted puede visitar nuestro sitio web para Servicio Técnico en www.desatech.com o comuníquese con nuestro Departamento de Servicio Técnico llamando al 1-800-858-8501 (sólo inglés). Usted puede también escribir a:

DESA Specialty Products™
 ATTN: Technical Service Specialty
 Products
 P.O. Box 90004
 Bowling Green, KY 42102-9004

Cuando se comunique con DESA Specialty Products™ tenga listo

- Su nombre
- Su dirección
- Su número de teléfono
- El número de modelo del Producto
- Fecha de compra (adjunte una copia del recibo para solicitudes por escrito)

6 información sobre la garantía

GARANTÍA LIMITADA DE LA PODADORA ELÉCTRICA DE BORDES DE DOBLE ACCIÓN REMINGTON®

Especifique siempre el número del modelo cuando se comunique con la fábrica.

Nos reservamos el derecho de enmendar estas especificaciones a cualquier rato sin ningún aviso. La única garantía aplicable es nuestra garantía estándar escrita. No ofrecemos ninguna otra garantía expresa o implícita.

DESA Specialty Products™ garantiza que esta Podadora Eléctrica de Bordes de Doble Acción y cualquiera de sus piezas no tienen defectos ni de material ni de mano de obra por dos años (90 días para unidades restauradas) desde la fecha de la primera compra en un concesionario autorizado, siempre que el producto haya sido mantenido en forma apropiada y usado de acuerdo con todas las instrucciones aplicables. Se ofrece esta garantía sólo al comprador minorista original. La factura de venta o prueba de compra se debe presentar cuando se hace un reclamo bajo esta garantía.

Esta garantía no cubre uso comercial, industrial o de renta, tampoco se aplica a las piezas que no están en condición original debido al uso y desgaste normal, o piezas que fallan o que se dañan como resultado del mal uso, accidente, falta de mantenimiento apropiado, manipulación indebida o alteración. Viaje, manejo, transporte y costos incidentales asociados con reparaciones de garantía no son reembolsables bajo esta garantía y son la responsabilidad del dueño.

Al máximo grado permitido por la ley de la jurisdicción que gobierna la venta del producto, esta garantía expresa excluye cualquiera y toda otra garantía expresa y limita la duración de cualquiera y de todas las garantías implícitas, incluyendo garantías de comerciabilidad e idoneidad para un propósito particular por dos años desde la fecha de la primera compra, y la responsabilidad de DESA Specialty Products™ se limita por lo tanto al precio de compra del producto y DESA Specialty Products™ no será responsable por ningún otro daño incluyendo daños indirectos, incidentales o consiguientes.

Algunos estados no permiten un límite de cuánto tiempo dura una garantía implícita o una exclusión o limitación de daños incidentales o consiguientes, así que la limitación susodicha de daños pueda que no se aplique a usted.

Esta garantía ofrece derechos específicos al comprador original. Para obtener información acerca de esos derechos, por favor consulte con el estado correspondiente.

DESA
SPECIALTY PRODUCTS
 P.O. Box 90004
 Bowling Green, KY 42102-9004
www.desatech.com

REMINGTON®

TAILLE-HAIE ÉLECTRIQUE À DOUBLE ACTION GUIDE DU PROPRIÉTAIRE



MODÈLES: HT3218A et HT4022A

IMPORTANT : Vous devez bien lire et comprendre ce guide avant de débiter l'assemblage ou l'utilisation de cet outil. Toute utilisation non appropriée de l'outil pourrait entraîner de graves blessures, voire le décès. Conservez ce guide à titre de référence.



LISTED



Double Isolation

table des matières

1	<i>Importants renseignements de sécurité</i>	1
2	<i>Identification du produit</i>	3
3	<i>Utilisation du taille-haie</i>	4
	Rallonge électrique	4
	Démarrage du taille-haie	5
	Taille d'une haie	6
4	<i>Entretien du taille-haie</i>	7
5	<i>Dépannage</i>	8
6	<i>Renseignements sur la garantie</i>	9

bienvenue

Nous vous remercions de votre achat du taille-haie Remington^{MD} à double action. Nous sommes fiers de vous offrir ce produit de qualité pour vous aider à effectuer l'entretien de votre propriété.

Ce guide du propriétaire vous fournit les directives dont vous aurez besoin pour assembler, utiliser et entretenir en toute sécurité votre taille-haie. Veuillez lire et conserver ces directives. Consultez ce guide chaque fois que vous vous apprêtez à utiliser le taille-haie.

Pour faciliter toute référence, prenez en note l'information inscrite sur l'emballage et sur la plaque signalétique Remington^{MD} apposée sur l'outil.

Numéro de modèle : _____
Date d'achat : _____
Endroit d'achat : _____

Pour toute question ou problème,
FAITES SANS FRAIS LE
1 800 858-8501
(service en anglais seulement)
ou visitez l'adresse www.desatech.com

1 importants renseignements sur la sécurité

MISES EN GARDE DE SÉCURITÉ

⚠ MISE EN GARDE : Lorsque vous vous servez d'un appareil de jardinage électrique, vous devez toujours prendre les précautions de sécurité de base afin de réduire les risques d'incendie, de choc électrique et de blessures, notamment :

LISEZ TOUTES LES DIRECTIVES AVANT D'UTILISER LE TAILLE-HAIE.

⚠ MISE EN GARDE : Ce produit contient des éléments chimiques qui, de l'avis de l'État de la Californie, peuvent être à l'origine du cancer, d'anomalies congénitales ou d'autres dangers pour la reproduction.

AVANT D'UTILISER LE TAILLE-HAIE

- Évitez les endroits dangereux :
 - N'utilisez pas le taille-haie s'il pleut ou dans des endroits mouillés ou humides.
 - N'utilisez pas le taille-haie sous l'influence de l'alcool, de médicaments ou de drogue.
 - N'utilisez pas le taille-haie lorsque vous êtes fatigué.
 - N'utilisez pas le taille-haie lorsque vous vous trouvez dans une échelle ou dans un arbre.
 - N'utilisez pas le taille-haie s'il est endommagé ou s'il n'est pas complètement assemblé.
- Restez à l'écart des enfants. Assurez-vous que toute personne se trouve à une distance sécuritaire de la zone de travail.
- N'utilisez pas le taille-haie pour effectuer des travaux pour lesquels il n'est pas conçu.

- Seul un adulte bien informé doit utiliser le taille-haie. Ne laissez jamais un enfant s'en servir.
- Habillez-vous correctement pour utiliser le taille-haie :
 - Évitez de porter des vêtements lâches ou encore des bijoux qui pourraient se prendre dans les lames ou les pièces mobiles du taille-haie.
 - Portez toujours des gants de caoutchouc ainsi que de solides chaussures lorsque vous travaillez à l'extérieur.
 - Si vous avez les cheveux longs, assurez-vous de toujours bien les attacher.
 - Portez toujours un masque protecteur anti-poussière si vous travaillez dans un endroit poussiéreux.
- Portez toujours des protecteurs oculaires conformes aux exigences de la norme ANSI Z87.1.
- Portez des pantalons longs ainsi que des chaussures lorsque vous utilisez cet outil.

⚠ MISE EN GARDE : Pour réduire les risques de choc électrique, utilisez toujours une rallonge électrique conçue pour l'utilisation extérieure, notamment : **SW-A, SOW-A, STW-A, STOW-A, SJW-A, SJOW-A, SJTW-A** ou **SJTOW-A**.

- Assurez-vous que votre rallonge électrique est en bon état. Lorsque vous en utilisez une, assurez-vous qu'elle est suffisamment résistante pour transmettre le courant exigé par l'outil. Une rallonge de calibre inférieur entraînera une chute de la tension, une perte de la puissance et une surchauffe. Le tableau plus loin indique le calibre approprié de rallonge électrique à utiliser en fonction de la longueur et de l'intensité du courant utilisé. En cas de doute, utilisez une rallonge de calibre supérieur. Plus le numéro du calibre est petit, plus la résistance de la rallonge est élevée. Pour

réduire les risques de débranchement du taille-haie de la rallonge pendant l'utilisation, servez-vous de l'attache-rallonge décrite dans ce guide.

Longueur	Calibre AWG
25 pieds	18 AWG
50 pieds	16 AWG
100 pieds	16 AWG
150 pieds	14 AWG

- Pour réduire les risques de choc électrique, le taille-haie est doté d'une fiche polarisée (une lame est plus large que l'autre) qui doit être branchée dans une rallonge électrique également polarisée. La fiche du taille-haie peut être insérée dans la prise de la rallonge électrique polarisée d'une seule façon. Si la fiche ne s'insère pas complètement dans la prise de la rallonge, inversez les lames. Si cela ne fonctionne toujours pas, procurez-vous une rallonge électrique polarisée. Une rallonge électrique polarisée doit être branchée dans une prise électrique murale également polarisée. La fiche de la rallonge s'insère d'une seule façon dans la prise murale polarisée. Si la fiche ne s'insère pas complètement dans la prise, inversez les lames. Si cela ne fonctionne toujours pas, contactez un électricien qualifié pour faire installer une prise murale appropriée. Ne modifiez pas la fiche du taille-haie, la prise de la rallonge électrique ni la fiche de la rallonge de quelque façon que ce soit.
- Assurez-vous que le circuit ou la prise utilisée pour brancher le taille-haie est dotée d'un disjoncteur de fuite de terre. À cet effet, vous pouvez utiliser une prise avec disjoncteur de fuite de terre intégré.
- Évitez d'utiliser le taille-haie près des lignes d'alimentation électrique, des fils de téléphone ou des câbles. Gardez toujours le taille-haie à une distance d'au moins 10 pieds des câbles et des lignes d'alimentation.

PENDANT L'UTILISATION DU TAILLE-HAIE

1. Demeurez alerte. Portez attention aux gestes que vous posez et faites preuve de bon sens.
2. Surveillez la rallonge électrique pendant l'utilisation du taille-haie. Évitez de ne pas trébucher sur la rallonge. Conservez toujours la rallonge électrique à l'écart des lames du taille-haie.
3. Évitez les démarrages intempestifs. Lorsque vous vous déplacez, retirez le doigt de la gâchette du taille-haie. Assurez-vous que l'interrupteur est à « OFF » lorsque vous branchez le taille-haie.
4. Évitez de travailler à la limite de votre portée. Gardez les pieds solidement ancrés au sol, bien en équilibre, en tout temps lorsque vous utilisez le taille-haie.

⚠ DANGER – RISQUE DE COUPER – Conservez toujours vos mains à l'écart des lames. Gardez les deux mains sur la poignée lorsque vous utilisez l'appareil. Ne tentez pas d'enlever les matériaux coupés ni de tenir les matériaux à couper lorsque les lames fonctionnent. Évitez de mettre les mains sur les lames ou sur les extrémités tranchantes lorsque vous ramassez ou tenez le taille-haie.

⚠ ATTENTION – Les lames continuent de fonctionner pendant un certain temps après l'arrêt de l'outil.

5. Débranchez le taille-haie de l'alimentation :
 - Lorsque vous ne vous en servez pas.
 - Avant d'en faire l'entretien.
 - Pour dégager les matériaux pris entre les lames.
 - Pour vous déplacer d'une zone de travail à l'autre.

6. N'exercez pas de pression indue sur le taille-haie; ce dernier fonctionnera mieux, avec moins de risque de blessures si vous l'utilisez au rythme pour lequel il a été conçu.
7. Évitez d'utiliser le cordon électrique de façon abusive. Ne transportez jamais le taille-haie par le cordon. Ne tirez jamais sur le cordon pour le débrancher de la prise électrique. Conservez toujours le cordon à l'écart de la chaleur, de l'huile et des objets tranchants.
8. Avant de faire démarrer le taille-haie, assurez-vous que les lames ne sont pas en contact avec un objet quelconque.

ENTRETIEN ET ENTREPOSAGE DU TAILLE-HAIE

1. Entretenez avec soin le taille-haie.
 - Pour un meilleur rendement et pour réduire les risques de blessures, assurez-vous que les lames sont constamment affûtées et propres.
 - Suivez les directives de lubrification.
 - Inspectez périodiquement le cordon du taille-haie; en cas de dommage, faites-le réparer par un technicien de service qualifié.
 - Inspectez périodiquement les rallonges électriques et remplacez-les en cas de dommage.
 - Si le taille-haie ne fonctionne pas correctement, si vous l'avez échappé, qu'il est endommagé ou encore s'il a été laissé à l'extérieur ou échappé dans l'eau, faites-le réparer par un technicien de service qualifié.
 - Assurez-vous que les poignées sont propres, sèches et exemptes de toute huile ou graisse.
2. Recherchez les pièces endommagées.
 - Si une pièce est endommagée, vérifiez-la avec soin avant d'utiliser le taille-haie. Assurez-vous que la pièce fonctionnera correctement et qu'elle pourra exécuter la fonction prévue.

- Vérifiez l'alignement des pièces mobiles, la fixation des pièces mobiles, les bris, l'assemblage et tout autre problème qui pourrait nuire au fonctionnement de l'appareil.
 - Les protecteurs ou toute autre pièce endommagée doit être réparée ou remplacée par un technicien de service qualifié, à moins d'avis contraire dans le présent guide.
3. Entretien des outils à double isolation :
 - Les outils à double isolation sont dotés de deux systèmes d'isolation au lieu d'une mise à la terre. Ces outils ne comportent en effet aucun système de mise à la terre, et aucun lien de mise à la terre ne doit être ajouté à l'outil. L'entretien d'un outil à double isolation exige beaucoup de soin et une excellente connaissance du système; il doit être confié seulement à du personnel de service qualifié. Les pièces de rechange utilisées avec un outil à double isolation doivent être identiques aux pièces originales.
 4. Entreposez le taille-haie à l'intérieur. Lorsque vous ne vous en servez pas, entreposez le taille-haie et la rallonge électrique à l'intérieur, dans un endroit sec. Entreposez le taille-haie hors de la portée des enfants ou dans une armoire verrouillée, hors de la portée des enfants.

Ce guide est votre source de référence pour une utilisation sécuritaire et appropriée du taille-haie.

CONSERVEZ CES DIRECTIVES

2 identification du produit

- A. Poignée arrière
- B. Interrupteur de la poignée arrière
- C. Poignée avant
- D. Interrupteur de la poignée avant
- E. Protecteur de poignée avant
- F. Lames
- G. Dispositif de retenue de la rallonge
- H. Cordon électrique

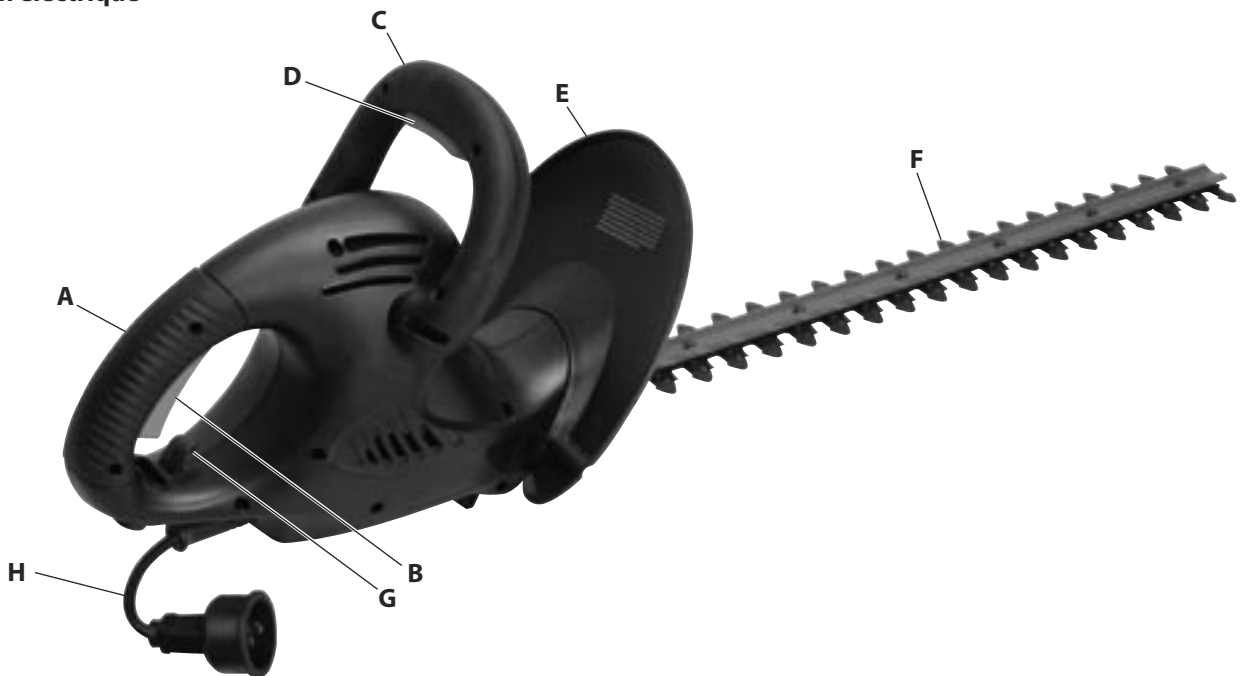


Figure 2-1 : Taille-haie Remington^{MD} double action

Fiche technique

	HT3218A	HT4022A
Alimentation	120V, 3,2A	120V, 4,0A
Rythme de coupe	3 500 coups/min	3 500 coups/min
Longueur de la lame	45,7cm (18 pouces)	55,9cm (22 pouces)
Diamètre de coupe maximum	19mm (3/4 pouces)	19mm (3/4 pouces)
Poids	2,8 kg (6,2 lb)	2,9 kg (6,5 lb)

3 utilisation du taille-haie

⚠ MISE EN GARDE : Lisez attentivement ce guide du propriétaire avant d'utiliser le taille-haie. Assurez-vous d'avoir lu et compris toutes les *Mises en garde de sécurité* des pages 1 et 2 du guide. L'utilisation inappropriée de ce taille-haie peut entraîner de graves blessures, voire le décès, par suite d'un incendie, d'un choc électrique ou d'un contact corporel avec les pièces mobiles.

Rallonges électriques

Utilisez toujours une rallonge électrique convenant au taille-haie. Utilisez seulement une rallonge électrique polarisée (dont l'une des lames de la fiche est plus grande que l'autre), homologuée UL et conçue pour l'extérieur. La rallonge doit porter le suffixe W ou W-A après la désignation du type; par exemple : SJTW-A ou SJTW.

Utilisez une rallonge de calibre approprié pour le taille-haie. La rallonge doit être suffisamment résistante pour transmettre le courant exigé par l'appareil. Une rallonge de calibre inférieur entraînera une chute de tension au niveau de l'appareil. Ce dernier perdra alors de la puissance et surchauffera. Respectez les exigences du tableau ci-dessous quant au calibre de la rallonge.

Longueur	Calibre AWG
25 pieds	18 AWG
50 pieds	16 AWG
100 pieds	16 AWG
150 pieds	14 AWG

Assurez-vous que la rallonge se trouve à l'écart de la zone de travail. Évitez qu'elle ne se prenne dans les branches pendant le travail. Inspectez souvent la rallonge et remplacez-la en cas de dommage.

Branchement de la rallonge électrique

⚠ MISE EN GARDE : Branchez solidement le cordon d'alimentation dans la rallonge électrique, pour éviter toute surchauffe du taille-haie. Cela pourrait entraîner un incendie qui causerait des blessures à vous ou à d'autres personnes.

Le taille-haie est doté d'un dispositif intégré de retenue de la rallonge électrique. Ce dispositif évite le débranchement accidentel du cordon d'alimentation pendant l'utilisation. Le dispositif est moulé à même la partie inférieure de la poignée arrière de l'outil.

1. Branchez le cordon d'alimentation dans la prise de la rallonge électrique (voir la Figure 3-1).
2. Faites une boucle dans la rallonge, puis insérez celle-ci dans la partie inférieure du boîtier de l'outil (voir la Figure 3-2).
3. Tirez sur la boucle de façon qu'elle s'insère solidement dans le dispositif de retenue (voir la Figure 3-3).



Figure 3-1 : Branchement du cordon d'alimentation du taille-haie dans la rallonge électrique

Remarque : La Figure 3-4 propose une méthode facultative de retenue de la rallonge électrique. Utilisez cette méthode avec les rallonges de calibre supérieur qui ne peuvent être insérées dans le dispositif de retenue.



Figure 3-2 : Insertion de la boucle de la rallonge électrique dans la partie inférieure de la poignée



Figure 3-3 : Tirez sur la poignée pour l'insérer solidement dans le dispositif de retenue



Figure 3-4 : Méthode facultative de retenue de la rallonge électrique

Démarrage du taille-haie

Par mesure de sécurité, ce taille-haie est doté de deux interrupteurs. L'un d'eux est situé sur la poignée arrière tandis que l'autre est situé sur la poignée avant (voir la Figure 3-5). Vous devez appuyer en même temps sur les deux interrupteurs pour faire démarrer le taille-haie.

⚠ MISE EN GARDE : Ne modifiez pas l'appareil pour contourner la fonction du double interrupteur. Cette fonction est conçue pour vous assurer que vos deux mains demeurent constamment sur les poignées de l'outil, les maintenant ainsi à l'écart des lames.

Utilisation de base du taille-haie

Cet outil est conçu pour tailler et façonner avec facilité les haies et les buissons. Suivez les étapes ci-dessous pour faire démarrer et arrêter le taille-haie.

1. Maintenez la poignée avant d'une main en enfonçant l'interrupteur (voir la Figure 3-6).
2. En agrippant la poignée arrière, enfoncez l'interrupteur. Le taille-haie démarrera immédiatement (voir la Figure 3-7).
3. Pour arrêter le taille-haie, relâchez l'un ou l'autre des interrupteurs, ou les deux (voir la Figure 3-8). Le taille-haie s'arrêtera graduellement.



Figure 3-5 : Interrupteur des poignées avant et arrière



Figure 3-7 : Enfoncez l'interrupteur arrière pour faire démarrer le taille-haie



Figure 3-6 : Position de la main sur la poignée avant



Figure 3-8 : Relâchez l'interrupteur arrière pour arrêter le taille-haie.

Taille d'une haie

Servez-vous correctement du taille-haie. Portez toujours des lunettes de protection, des gants de caoutchouc et des chaussures solides lorsque vous utilisez le taille-haie (voir la Figure 3-9). Assurez-vous d'avoir toujours les deux pieds au sol, en équilibre. Évitez d'utiliser le taille-haie hors de portée. Avant de faire démarrer le taille-haie, tenez solidement l'appareil au moyen des deux poignées. Assurez-vous que les lames tranchantes n'entrent en contact avec aucun objet.

Conservez toujours la rallonge électrique derrière le taille-haie lorsque vous l'utilisez. Évitez de faire passer la rallonge par-dessus la haie, où vous pourriez la couper avec les lames (voir la Figure 3-10).

Faites des mouvements réguliers de balayage pour couper les nouvelles pousses (voir la Figure 3-11). N'essayez pas de couper de trop grandes quantités de pousses à la fois. Cela pourrait entraîner le ralentissement du taille-haie ou encore un bourrage des lames, qui réduirait l'efficacité de coupe.

Évitez de forcer l'appareil à couper des zones de croissance très denses. Un léger mouvement de va-et-vient peut faciliter la coupe des pousses de taille supérieure ou des zones de forte croissance. Lorsque le taille-haie se met à ralentir, réduisez le rythme des mouvements de balayage.

En cas de bourrage des lames, arrêtez immédiatement le taille-haie. Débranchez l'appareil, puis retirez les débris pris entre les lames.

N'essayez pas de couper des branches dont le diamètre est supérieur à 3/4 de pouce.

Pour de meilleurs résultats, taillez les côtés des haies en faisant des mouvements de balayage vers le haut (voir la Figure 3-12). Commencez à couper au bas de la haie en vous dirigeant vers le haut. De cette façon, les pousses coupées ne tomberont pas dans les zones non taillées.

Taillez les haies de façon que le dessus soit un peu plus étroit que le bas.

Pour tailler une haie de niveau, installez une corde le long de la haie comme indiqué (dans la Figure 3-13).



Figure 3-9 : Vêtements, position et prise appropriée



Figure 3-10 : Protection de la rallonge électrique



Figure 3-11 : Coupe des nouvelles pousses



Figure 3-12 : Coupe des côtés de la haie

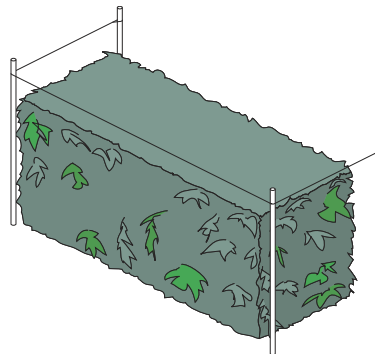


Figure 3-13 : Utilisation d'une corde pour des coupes de niveau

4 entretien du taille-haie

Nettoyage et entretien

⚠ MISE EN GARDE : Débranchez le taille-haie avant d'en faire l'entretien ou le nettoyage. De graves blessures, voire le décès, pourraient survenir en cas d'incendie, de choc électrique ou de contact corporel avec les lames en mouvement.

⚠ MISE EN GARDE : Lors du nettoyage du taille-haie :

- Évitez d'immerger l'appareil dans un liquide.
- N'utilisez pas de produits contenant de l'ammoniac, du chlore ou des abrasifs.
- N'utilisez pas de solvants de nettoyage chlorés, du tétrachlorure de carbone, du kérosène ou de l'essence.

Utilisez un chiffon doux trempé dans un mélange d'eau et de savon doux pour essuyer le boîtier du taille-haie. Utilisez une brosse à soie dure pour nettoyer les lames, puis essuyez-les au moyen d'un chiffon. Évitez de vaporiser ou de verser directement de l'eau sur le taille-haie.

Une fois l'appareil nettoyé, appliquez une fine pellicule d'huile sur les lames pour éviter la formation de rouille et assurer la lubrification.



Figure 4-1 : Nettoyage du boîtier du taille-haie



Figure 4-3 : Lubrification des lames



Figure 4-2 : Nettoyage des lames

5 dépannage

⚠ MISE EN GARDE : Débranchez le taille-haie avant d'en faire l'entretien. De graves blessures, voire le décès, pourraient survenir en cas d'incendie, de choc électrique ou de contact corporel avec les lames.

Remarque : Pour obtenir de l'assistance, visitez le site Web du service technique à l'adresse **www.desatech.com**.

PROBLÈME OBSERVÉ	CAUSE POSSIBLE	SOLUTION
Le moteur ne démarre pas lorsque vous appuyez sur les interrupteurs.	<ol style="list-style-type: none"> 1. Vous n'appuyez pas complètement sur les deux interrupteurs en même temps. 2. Le cordon d'alimentation n'est pas solidement branché dans la rallonge électrique. 3. Le disjoncteur est ouvert ou le fusible est grillé au niveau du panneau électrique. 	<ol style="list-style-type: none"> 1. Enfoncez complètement les interrupteurs de la poignée avant et de la poignée arrière (consultez la section <i>Utilisation de base du taille-haie</i>, à la page 5). 2. Vérifiez les connexions électriques. 3. Vérifiez le disjoncteur ou le fusible.
Le moteur fonctionne, mais les lames ne se déplacent pas.	Le taille-haie est endommagé; évitez de vous en servir.	Contactez DESA Specialty Products ^{MC} si l'appareil est toujours sous garantie.
Le taille-haie émet de la fumée pendant le fonctionnement	Le taille-haie est endommagé; évitez de vous en servir.	Contactez DESA Specialty Products ^{MC} si l'appareil est toujours sous garantie.

Service technique

Peut-être avez-vous d'autres questions sur l'assemblage, l'utilisation ou l'entretien de ce taille-haie. Si c'est le cas, vous pouvez visiter le site Web du service technique à l'adresse **www.desatech.com** ou contactez le service technique au 1 800 858-8501 (service en anglais seulement). Vous pouvez également écrire à :

DESA Specialty Products^{MC}
 ATTN : Technical Service Specialty Products
 P.O. Box 90004
 Bowling Green, KY 42102-9004

Veillez avoir les renseignements suivants à portée de main lorsque vous contactez DESA Specialty Products^{MC} :

- Votre nom
- Votre adresse
- Votre numéro de téléphone
- Le numéro de modèle du produit
- La date d'achat (inclure une copie du reçu d'achat aux demandes écrites).

6 renseignements sur la garantie

GARANTIE LIMITÉE DU TAILLE-HAIE ÉLECTRIQUE REMINGTON^{MD} À DOUBLE ACTION

Précisez toujours le numéro de modèle lorsque vous contactez l'usine.

Nous nous réservons le droit de modifier ces caractéristiques en tout temps, sans avis préalable. La seule garantie en vigueur est la garantie écrite. Nous n'offrons aucune autre garantie, expresse ou implicite.

DESA Specialty Products^{MC} garantit que ce taille-haie électrique à double action de même que toutes ses pièces sont exempts de tout défaut de matériau et de fabrication pour une durée de deux ans (90 jours pour les appareils remis à neuf) à compter de la date d'achat auprès d'un concessionnaire autorisé, à la condition que le produit ait été correctement entretenu et utilisé conformément aux directives fournies. Cette garantie protège seulement l'acheteur original du produit. La facture de vente ou une preuve d'achat doit être fournie au moment d'une demande d'indemnisation en vertu de la présente garantie.

Cette garantie ne vise pas les utilisations commerciales, industrielles ou locatives, pas plus qu'elle ne s'applique aux pièces qui ne sont plus à l'état original en raison de l'usure normale ni aux pièces faisant l'objet de défaillance ou de dommage par suite d'un usage abusif, d'un accident, d'un manque d'entretien, ou d'une modification. Les frais d'expédition, de manutention, de transport et les frais connexes associés aux réparations sous garantie ne sont pas remboursables en vertu de la présente garantie et doivent être entièrement assumés par le propriétaire.

Dans la mesure où les lois qui régissent la vente de ce produit le permettent, la présente garantie exclut toute autre garantie expresse et limite à deux ans à compter de la date d'achat la durée de toute garantie implicite, y compris les garanties de marchandabilité et d'adaptation à un usage en particulier. En vertu des présentes, la responsabilité de DESA Specialty Products^{MC} se limite au prix d'achat du produit. DESA Specialty Products^{MC} ne peut en aucun cas être tenue responsable des dommages, quels qu'ils soient, y compris des dommages indirects, imprévus ou consécutifs à l'utilisation de l'appareil.

Certains états ne reconnaissent pas les restrictions quant à la durée de la garantie implicite ni les exclusions ou les limitations quant aux dommages indirects ou consécutifs à l'utilisation de l'appareil; il se peut donc que les restrictions ci-dessus ne s'appliquent pas à votre situation.

Cette garantie accorde à l'acheteur original des droits spécifiques. Pour plus de renseignements quant à ces droits, veuillez consulter les lois en vigueur.

DESATM
SPECIALTY PRODUCTS
 P.O. Box 90004
 Bowling Green, KY 42102-9004
www.desatech.com

Free Manuals Download Website

<http://myh66.com>

<http://usermanuals.us>

<http://www.somanuals.com>

<http://www.4manuals.cc>

<http://www.manual-lib.com>

<http://www.404manual.com>

<http://www.luxmanual.com>

<http://aubethermostatmanual.com>

Golf course search by state

<http://golfingnear.com>

Email search by domain

<http://emailbydomain.com>

Auto manuals search

<http://auto.somanuals.com>

TV manuals search

<http://tv.somanuals.com>