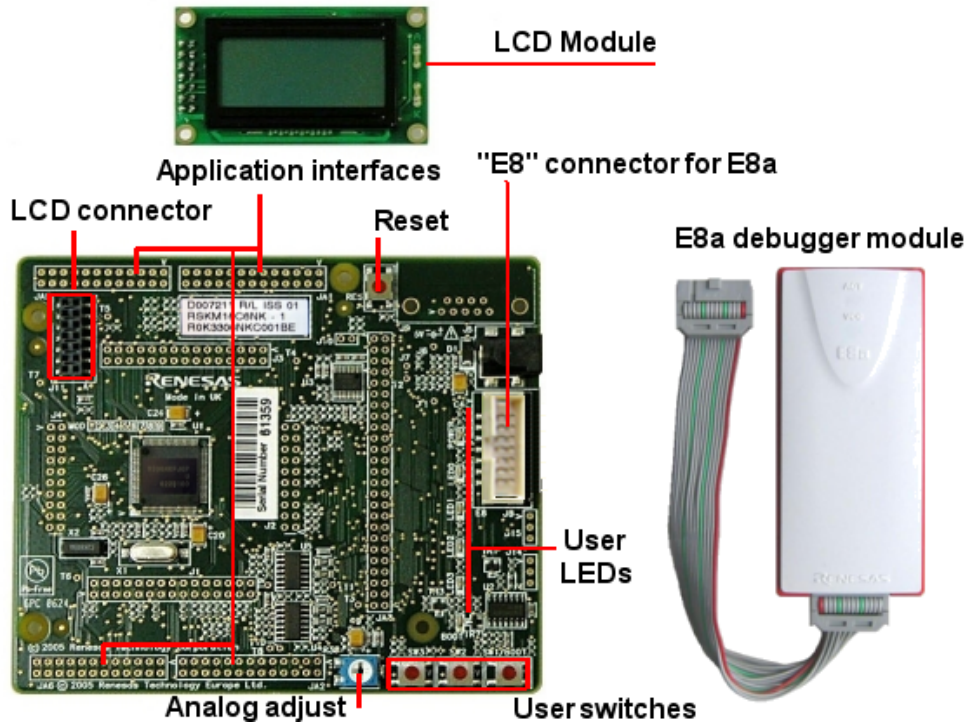


Quick Start

Renesas Starter Kit for H8/38347



1. Installation

Do not connect the E8a module until the software support has been installed.

1. Insert the CD into your computer's CD-ROM drive. The CD should automatically run the installation program. If the installer does not start, browse to the RSK directory from the CD root folder and double click on 'setup.exe'.
2. The installer will ask you which language is to be used, please choose the appropriate one.
3. On the first screen of the installer proper, click <Next>.
4. The License Agreement will be shown, click <Yes>.
5. The next screen asks you to pick the world region – please select and click <Next>.
6. Select the RSK you wish to install and click <Next>.
7. The destination folders are specified on the next screens. It is recommended to accept the default settings. Click <Next> to continue.
8. Click <Next> on all screens until the Installation process commences.
9. After the installation the machine's site code will be shown, this is not important at this stage, click <Next> then <Finish>.
10. Auto update dialog box will be launched. Configure the Auto-Update settings dialog to allow your installation to be checked for required updates.

2. Connection

11. Fit the LCD module to J10 on the RSK, so it lies above J3. Ensure all the pins of the connector are correctly inserted in the socket.
12. Now connect the E8a to J6/E8 on the RSK using the ribbon cable, also connect the LCD module to J10 on the RSK ensuring that the pin 1 designation corresponds to the marking on the RSK.
13. Connect the E8a debugger to a spare USB port.
The 'Found New Hardware' Wizard will appear. Please follow the steps below to install the drivers. Note that administrator privileges are required for a Windows™ 2000/XP machine. Do not use "Windows update" to find the drivers.
14. Verify the "Recommended" option is selected and click <Next>.
15. If using Windows XP, skip to step 17; otherwise click <Next>.
16. Click <Next> to install the driver.
17. Click <Finish> to close the wizard.

Note: The Windows driver signing dialog may be displayed. Please accept the driver to continue.

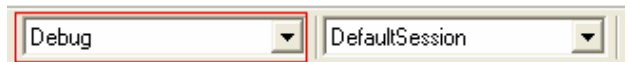
3. HEW Workspace

HEW integrates various tools such as compiler, assembler, debugger and editor into a common graphical user interface. To learn more on how to user HEW, open the HEW manual installed on your computer (Start Menu > All Programs > Renesas > High-performance Embedded Workshop > Manual Navigator).

18. Launch HEW from the Start Menu. (Start Menu > All Programs > Renesas > High-performance Embedded Workshop > High-performance Embedded Workshop)
19. In the "Welcome" dialog box: Verify "Create New Workspace" is selected. Click <OK>.
20. In the "New Project Workspace" dialog box: Set the "CPU Family" to "H8S, H8/300", and verify the "Tool chain" is set to "Hitachi H8S, H8/300 Standard". Select "E8A_RSKH838347" from the left hand pane.
21. Enter a name for the workspace. The project name will be automatically completed with the Workspace name. You can change this name to "Tutorial" if required. Click <OK>.
22. On the "E8A_RSKH838347- Step 1" window: Select "Tutorial" and click <Next>.
23. On the "E8A_RSKH838347- Step 2" window: Click <Finish>.
24. On the Project Generator Information window: Click <OK>.

The project that is created has two configurations. The Release configuration can be used for the final release code version. The Debug configuration allows modifications to the configuration for debugging.

25. Select the Debug build configuration in the left hand drop down list on the toolbar.



26. Click on the "Build" icon to compile, assemble and link the project.



4. Programming and Debug

27. Ensure the "SessionH8_SLP_E8a_SYSTEM_300L" session in the right hand drop down list on the toolbar is selected.



28. Click the <Connect> button on the debug toolbar.

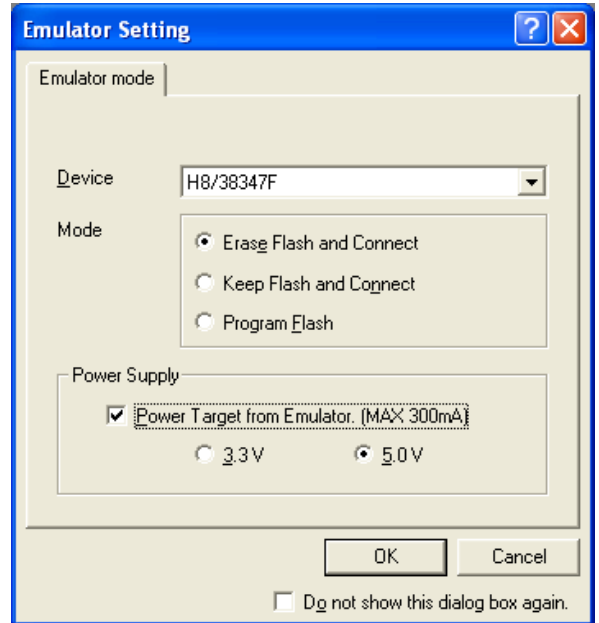


29. Select the correct device type (e.g. H8/38347F for RSKH838347).

30. Select "Erase Flash and Connect".

31. Select "Power target from Emulator" and select "5V" if the E8 is to provide the power to the RSK board. Otherwise connect a 5V center positive supply.

32. Click <OK>.



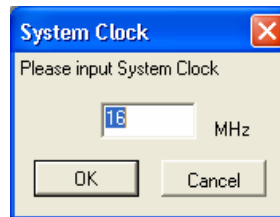
33. The first time the E8a is used the "E8AH8" dialog appears, click <OK> and select "Renesas Communications" and click <Close>.



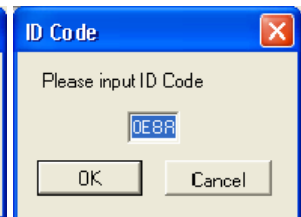
Otherwise skip to the next step.

34. Accept any dialog warning that an older version of E8a firmware is necessary to work with the application. Allow download of firmware to complete, this may take several seconds.

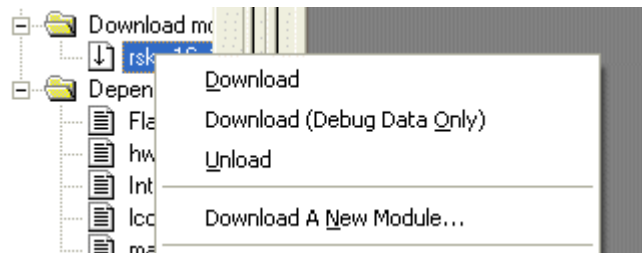
35. First, select the clock speed ("16.00MHz" for the RSKH838347) then click <OK>.



36. Second, select the ID Code ("0E8A" for the RSKH838347) then click <OK>. The flash memory write program and E8a monitor are then downloaded to the microcontroller.



37. Right click on the download module listed in the left hand pane and select "Download". The code will be downloaded to the microcontroller. This may take several seconds.



38. Click the <Reset Go> button.



The code will run and you will see the LEDs flash on the board.

39. Click the <Stop> button.



The code will stop and the source code will be opened at the current program counter.

5. Next Step

After you have completed this quick start procedure, please review the tutorial code and sample code that came with the kit. You can add projects to the current workspace by selecting (Project > Insert Project) from the main menu. The tutorials will help you understand the device and development process using Renesas Development Tools. The Hardware manual supplied with this RSK is current at the time of publication. Please check for any updates to the device manual from the Renesas website at: www.renesas.com/renesas_starter_kits

6. Renesas H8 Compiler

The version of the compiler provided with this RSK is fully functional but time limited. You have 60 days to evaluate the full product before the compiler will limit the code linker to 64k bytes. Full licensed H8 compiler versions are available from your Renesas supplier.

7. Support

Online technical support and information is available at: www.renesas.com/renesas_starter_kits

Technical Contact Details

America: techsupport.rta@renesas.com
Europe: tools.support.eu@renesas.com
Japan: csc@renesas.com

Note on Autoupdate: The Autoupdater is configured to automatically add itself to the Startup folder in the Windows Start Menu and use the registry defaults for access to the web. After restarting the machine the Icon will appear in the System Tray next to the clock. To change the settings or access Autoupdate simply right-click on the icon and use the menu that appears.

© Renesas Solutions Corporation. 2007.

© Renesas Technology Corporation. 2007.

© Renesas Technology Europe Limited. 2007.

Free Manuals Download Website

<http://myh66.com>

<http://usermanuals.us>

<http://www.somanuals.com>

<http://www.4manuals.cc>

<http://www.manual-lib.com>

<http://www.404manual.com>

<http://www.luxmanual.com>

<http://aubethermostatmanual.com>

Golf course search by state

<http://golfingnear.com>

Email search by domain

<http://emailbydomain.com>

Auto manuals search

<http://auto.somanuals.com>

TV manuals search

<http://tv.somanuals.com>