
SH7263/SH7203 Group

Data Transfer to On-chip Peripheral Modules with DMAC

Introduction

This application note provides an example of transferring data to on-chip peripheral modules with the direct memory access controller (DMAC) of the SH7263/SH7203.

Target Device

SH7263/SH7203

Contents

1.	Introduction	2
2.	Description of Sample Application	3
3.	Sample Program	9
4.	Documents for Reference	15

1. Introduction

1.1 Specification

- DMAC channel 1 is used to transfer data from external memory to the transmit FIFO data register (SCFTDR) in the serial communication interface with FIFO (SCIF channel 0) in order to transmit character string data.
- SCIF transmit FIFO data empty transfer requests (on-chip peripheral module request) are used to request DMA transfer.

1.2 Modules Used

- Direct memory access controller (DMAC channel 1)
- Serial communication interface with FIFO (SCIF channel 0)

1.3 Applicable Conditions

- Microcontroller: SH7263/SH7203
- Operating Frequency:

Internal clock	200 MHz
Bus clock	66.67 MHz
Peripheral clock	33.33 MHz
- C Compiler: SuperH RISC engine family C/C++ compiler package Ver.9.01, from Renesas Technology
- Compile Option:


```
-cpu = sh2afpu -fpu = single -include = "${WORKSPDIR}\inc"
-object = "${CONFIGDIR}\$(FILELEAF).obj" -debug -gbr = auto -chgincpath
-errorpath -global_volatile = 0 -opt_range = all -infinite_loop = 0 -del_vacant_loop = 0
-struct_alloc = 1 -nologo
```

1.4 Related Application Notes

- The operation of the reference program for this document was confirmed with the setting conditions described in the application note: *SH7263/SH7203 Initialization Example*. Please refer to the application note in combination with this one.
- Details on SCIF UART transmission are described in the application: *SH7263/SH7203 Example Settings for UART Transmission by the SCIF*.

Please refer to the above application notes in combination with this one.

2. Description of Sample Application

In this sample application, the DMAC and on-chip peripheral module requests are used to transfer data from external memory to the SCIF.

2.1 Operational Overview of Modules Used

When a DMA transfer request is made, the DMAC starts to transfer data in accordance with the priority order of channels, and continues the transfer operation until the transfer end condition is met. Transfer requests for the DMAC are of three kinds: auto requests, external requests, and on-chip peripheral module requests. The bus mode is selectable as burst mode or cycle-stealing mode.

An overview of the DMAC is given in table 1. Also, a block diagram of the DMAC is shown in figure 1.

Table 1 Overview of DMAC

Item	Description
Number of channels	8 (CH0 to CH7) Only 4 (CH0 to CH3) can receive external requests.
Address space	4 Gbytes
Length of transfer data	Byte, word (2 bytes), longword (4 bytes), and 16 bytes (longword × 4)
Maximum transfer count	16,777,216 (24 bits) transfers
Address mode	Single address mode and dual address mode
Transfer request	Auto request, external request, and on-chip peripheral module request <ul style="list-style-type: none"> • SH7203/SH7263 (SCIF: 8 sources, I²C3: 8 sources, ADC: 1 source, MTU2: 5 sources, CMT: 2 sources, USB: 2 sources, FLCTL: 2 sources, RCAN-TL1: 2 sources, SSI: 4 sources, SSU: 4 sources) • SH7263 (SRC: 2 sources, ROM-DEC: 1 source, SDHI: 2 sources)
Bus mode	Cycle-stealing mode and burst mode
Priority level	Channel priority fixed mode and round-robin mode
Interrupt request	An interrupt request to the CPU is made when half or all of a transfer process is completed.
External request detection	DREQ input low/high level detection, rising/falling edge detection
Transfer request acknowledge signal/transfer end signal	Active levels for DACK and TEND can be set independently

Note: For details on the DMAC, refer to the section on the direct memory access controller in the *SH7263/SH7203 Group Hardware Manual*.

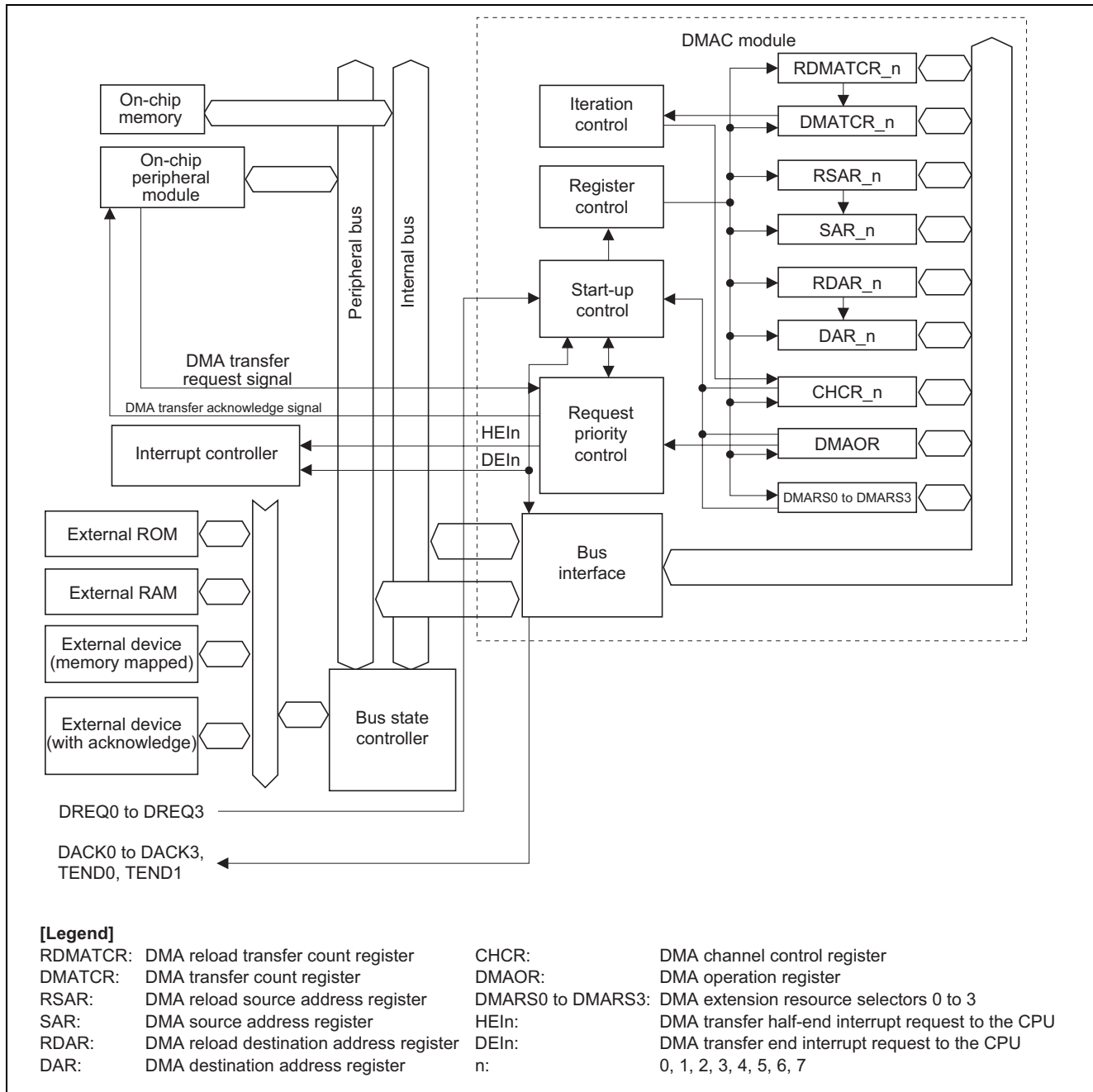


Figure 1 Block Diagram of DMAC

2.2 Procedure for Setting Used Modules

This section describes the procedure for making initial settings when the DMAC is to be used to transfer data from memory to on-chip peripheral modules. On-chip peripheral module requests are used for transfer requests. A flowchart of DMAC initialization is shown in figure 2. For details on registers, refer to the *SH7263/SH7203 Group Hardware Manual*.

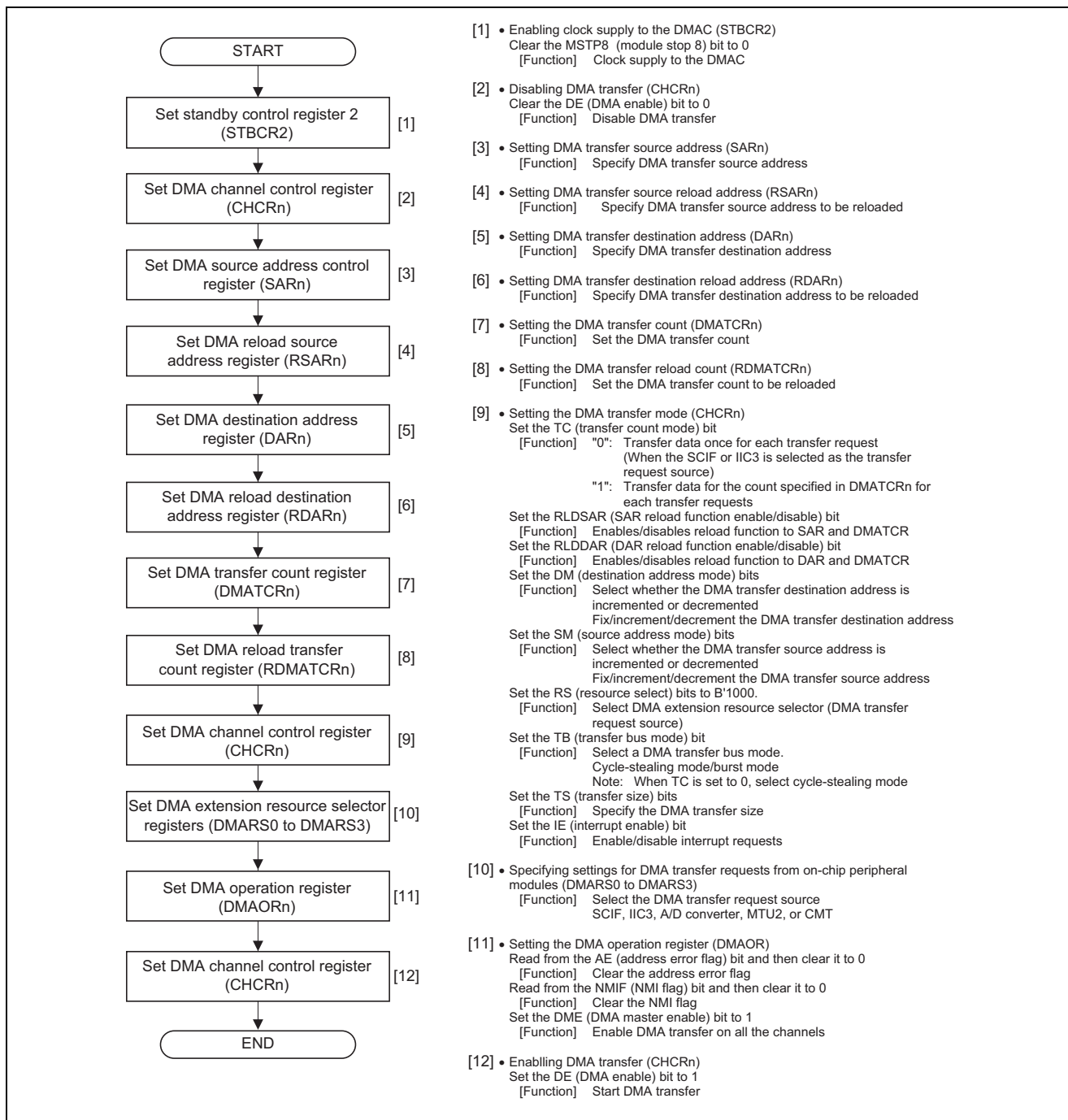


Figure 2 Flowchart of Initializing DMAC

2.3 Operation of Sample Program

In this sample program, SCIF transmit FIFO data empty transfer requests are made to activate DMAC channel 1, and to transfer data from external memory to the transmit FIFO data register (SCFTDR) on SCIF channel 0. The data written to SCFTDR on SCIF channel 0 are transmitted in UART mode. An operation timing of the sample program is shown in figure 3.

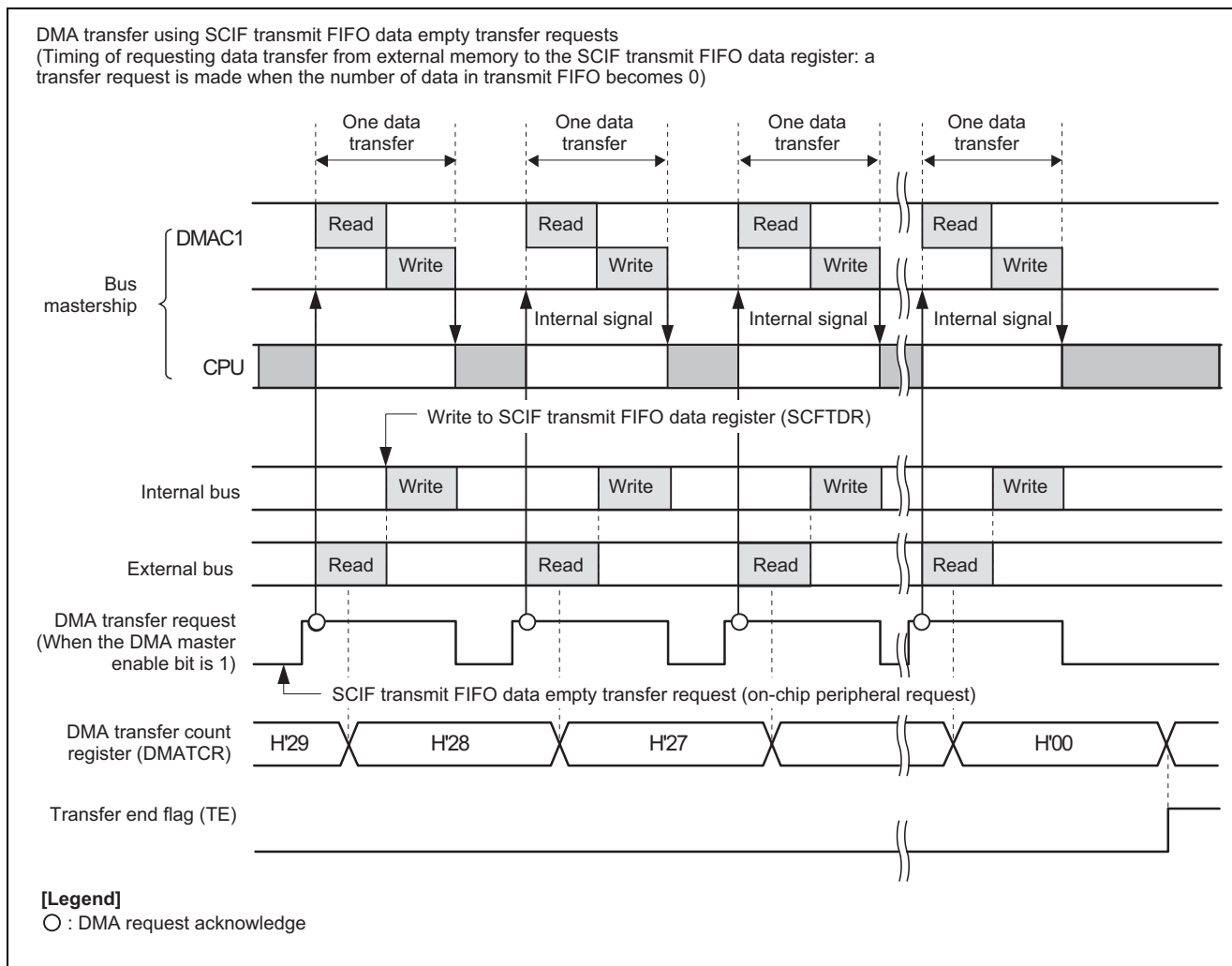


Figure 3 Operation Timing of Sample Application

2.4 Processing Procedure of Sample Program

In this sample program, character string data stored in external memory are transferred by DMA to the transmit FIFO data register (SCFTDR) on SCIF channel 0, and then are transmitted in UART mode.

The register settings for the sample program are listed in table 2. The macro definitions used in this sample program are also listed in table 3. A flowchart of the sample program is illustrated in figure 4.

Table 2 Register Settings for Sample Program

Register Name	Address	Setting Value	Description
Standby control register 2 (STBCR2)	H'FFFE 0018	H'00	MSTP8 = "0": DMAC operates
DMA channel control register 1 (CHCR1)	H'FFFE 101C	H'0000 0000	DE = "0": Disables DMA transfer
		H'0000 1800	TC = "0": Transfers data once for each DMA transfer request RLDSAE = "0": Disables SAR reload function RLDDAR = "0": Disables DAR reload function DM = "B'00": Fixes destination address SM = "B'01": Increments source address RS = "B'1000": Extension resource selector TB = "0": Cycle-stealing mode TS = "B'00": Byte transfer IE = "0": Disables interrupt request
DMA source address register_1 (SAR1)	H'FFFE 1010	H'0000 1801	DE = "1": Enables DMA transfer
		Address where character string data are stored	Start address of transfer source: Start address of character string stored in external memory
DMA destination address register_1 (DAR1)	H'FFFE 1014	H'FFFE 800C	Start address of transfer destination: Address of the SCIF transmit FIFO data register_1 (SCFTDR_1)
DMA transfer count register_1 (DMATCR1)	H'FFFE 1018	Number of character string data	Transfer count: the number of character string data
DMA operation register (DMAOR)	H'FFFE 1200	H'0001	DME = "1": Enables DMA transfer on all the channels
DMA extension resource selector (DMARS0)	H'FFFE 1300	H'0081	MID = "B'100000" RID = "B'01" Set to SCIF_0 transmit FIFO data empty transfer request

Table 3 Macro Definitions Used in Sample Program

Macro Definition	Setting Value	Description
DMA_SIZE_BYTE	H'0000	Byte transfer
DMA_SIZE_WORD	H'0001	Word transfer
DMA_SIZE_LONG	H'0002	Longword transfer
DMA_SIZE_LONGx4	H'0003	16-byte transfer
DMA_INT_DISABLE	H'0000	DMA transfer end interrupt disabled
DMA_INT_ENABLE	H'0010	DMA transfer end interrupt enabled

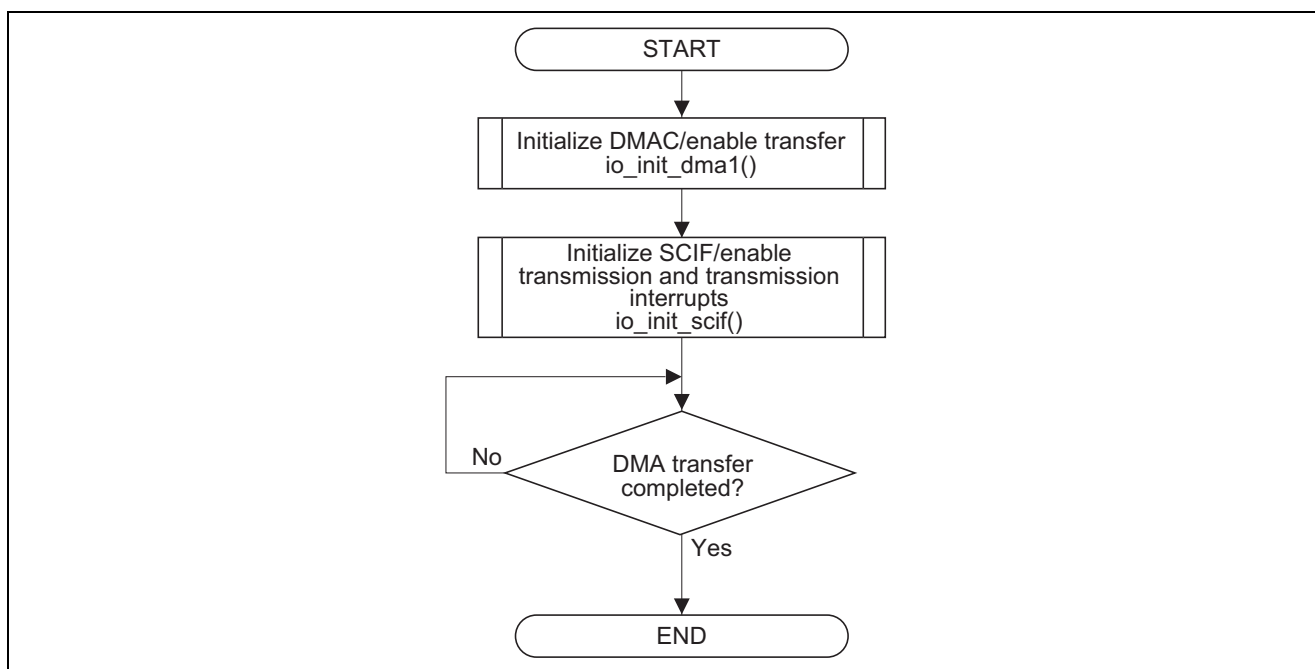


Figure 4 Flowchart of Sample Program

3. Sample Program

1. Sample Program Listing "main.c" (1)

```

1 /*"FILE COMMENT"*****
2 *
3 *   System Name : SH7203 Sample Program
4 *   File Name   : main.c
5 *   Contents    : Data transfer to on-chip peripheral modules with DMAC
6 *   Version     : 1.00.00
7 *   Model       : M3A-HS30
8 *   CPU         : SH7203
9 *   Compiler    : SHC9.1.1.0
10*   note        : Sample program for transferring data from the SCIF by DMAC1
11*
12*           <CAUTION>
13*           This sample program is for reference
14*           and its operation is not guaranteed.
15*           Customers should use this sample program for technical reference
16*           in software development.
17*
18*   The information described here may contain technical inaccuracies or
19*   typographical errors. Renesas Technology Corporation and Renesas Solutions
20*   assume no responsibility for any damage, liability, or other loss rising
21*   from these inaccuracies or errors.
22*
23*   Copyright(C) 2007 Renesas Technology Corp. All Rights Reserved
24*   AND Renesas Solutions Corp. All Rights Reserved
25*
26*   history     : 2007.12.27 ver.1.00.00
27*"FILE COMMENT END"*****/
28#include <string.h>
29#include "iodefine.h"          /* iodefine.h is automatically created by HEW */
30
31/* ==== Macro declaration ==== */
32/* ==== DMAC Settings ==== */
33#define DMA_SIZE_BYTE        0x0000u
34#define DMA_SIZE_WORD        0x0001u
35#define DMA_SIZE_LONG        0x0002u
36#define DMA_SIZE_LONGx4     0x0003u
37#define DMA_INT_DISABLE     0x0000u
38#define DMA_INT_ENABLE      0x0010u
39#define DMA_INT              (DMA_INT_ENABLE >> 4u)
40
41/* ==== Prototype declaration ==== */
42void main(void);
43void io_init_dmal(void *src, void *dst, size_t size, unsigned int mode);
44void io_dmal_stop(void);
45void io_init_scif0(int);
46
47/* ==== Type declaration ==== */
48/* SCIF baud rate setting */
49typedef struct {
50     unsigned char scbrr;
51     unsigned short scsmr;
52} SH7203_BAUD_SET;
53

```

2. Sample Program Listing "main.c" (2)

```

54 /* ---- Values for baud rate specification ---- */
55 enum{
56     CBR_1200,
57     CBR_2400,
58     CBR_4800,
59     CBR_9600,
60     CBR_19200,
61     CBR_31250,
62     CBR_38400,
63     CBR_57600,
64     CBR_115200
65 };
66
67 /* ==== Table of register setting values ==== */
68 static SH7203_BAUD_SET scif_baud[] = {
69     {214, 1},          /* 1200bps (-0.07%) */
70     {106, 1},         /* 2400bps ( 0.39%) */
71     {214, 0},        /* 4800bps (-0.07%) */
72     {106, 0},        /* 9600bps ( 0.39%) */
73     { 53, 0},        /* 19200bps (-0.54%) */
74     { 32, 0},        /* 31250bps ( 0.00%) */
75     { 26, 0},        /* 38400bps (-0.54%) */
76     { 17, 0},        /* 57600bps (-0.54%) */
77     { 8, 0}          /*115200bps (-0.54%) */
78 };
79 /* Character string to be transmitted */
80 const signed char data[] = "SCIF request DMAC Sample Software SH7203.¥r¥n";
81
82 /*"FUNC COMMENT"*****
83 * Outline      : Sample Program Main (UART transmission with use of DMAC)
84 *-----
85 * Include      : #include <string.h>
86 *-----
87 * Declaration  : void main(void);
88 *-----
89 * Function     : The character string data stored in external memory is DMA transferred
90 *               : to the SCIF transmit FIFO data register. The DMAC is activated
91 *               : by an SCIF transmit interrupt request.
92 *-----
93 * Argument     : void
94 *-----
95 * Return Value : void
96 *-----
97 * Notice      :
98 *"FUNC COMMENT END"*****/
99 void main(void)
100 {
101     /* ==== Enabling DMAC initialization/transfer ==== */
102     io_init_dmal(data, (void *)&SCIF0.SCFTDR.BYTE ,sizeof(data),
103                 DMA_SIZE_BYTE | DMA_INT_DISABLE);
104     /* On-chip peripheral module request (SCIF transmit interrupt request) */
105     /* Data transfer from external memory to SCIF transmit */
106     /* Data transfer to data registers */

```

3. Sample Program Listing "main.c" (3)

```

107          /* ==== Enabling SCIF0 initialization/transfer ==== */
108          io_init_scif0(CBR_115200);
109          /* Communication mode :UART mode */
110          /* Bit rate:115.2Kbps */
111          /* TXI interrupt is generated when data in transmit FIFO is one byte */
112          /* ==== Disabling DMA transfer ==== */
113          io_dmal_stop();
114          while(1){
115              /* Program end */
116          }
117      }
118  /*"FUNC COMMENT"*****
119  * Outline      : Initialization for DATA transfer between memory areas with DMAC
120  *-----
121  * Include      : #include "iodefine.h"
122  *-----
123  * Declaration  : io_init_dmal(void *src, void *dst, size_t size, int mode);
124  *-----
125  * Function     : The DMAC transfers the amount of data specified by "size".
126  *               : from the source address "src" to the destination address "dst."
127  *               : Transfer is performed using requests from the SCIF1.
128  *               : "mode" is specified for transfer size and interrupt used/not used.
129  *-----
130  * Argument    : void *src          : Source address
131  *               : void *dst        : Destination address
132  *               : size_t size      : Transfer size (byte)
133  *               : unsigned int mode: Transfer mode, specifies the following with logical OR.
134  *               :                   DMA_SIZE_BYTE   (0x0000) Byte transfer
135  *               :                   DMA_SIZE_WORD   (0x0001) Word transfer
136  *               :                   DMA_SIZE_LONG   (0x0002) Longword transfer
137  *               :                   DMA_SIZE_LONGx4(0x0003) 16-byte transfer
138  *               :                   DMA_INT_DISABLE(0x0000) DMA transfer end interrupt disabled
139  *               :                   DMA_INT_ENABLE (0x0010) DMA transfer end interrupt disabled
140  *-----
141  * Return Value: void
142  *-----
143  * Notice      : Operation is not guaranteed when the alignment of the source/destination.
144  *               : address is inconsistent.
145  *               : When interrupts are used, interrupt routines must be registered.
146  *"FUNC COMMENT END"*****/
147  void io_init_dmal(void *src, void *dst, size_t size, unsigned int mode)
148  {
149      unsigned int ts;
150      unsigned long ie;
151
152      ts = mode & 0x3u;
153      ie = (mode & 0x00f0u ) >> 4u;
154
155      /* ====Setting standby control register 2(STBCR2) ==== */
156      CPG.STBCR2.BIT.MSTP8 = 0x0;          /* Cancel DMAC module top mode */
157
158      /* ---- Setting DMA channel control register ---- */
159      DMAC.CHCR1.BIT.DE = 0u1;            /* Disable DMA transfer */
160

```

4. Sample Program Listing "main.c" (4)

```

161  /* ----Setting DMA source address register---- */
162  DMAC.SAR1.LONG = (unsigned long)src;
163
164  /* ----Setting DMA reload source address register---- */
165  DMAC.RSAR1.LONG = (unsigned long)src;
166
167  /* ----Setting DMA destination address register---- */
168  DMAC.DAR1.LONG = (unsigned long)dst;
169
170  /* ----Setting DMA reload destination address register---- */
171  DMAC.RDAR1.LONG = (unsigned long)dst;
172
173  /* ----Setting DMA transfer count register---- */
174  /* ----Setting DMA reload transfer count register---- */
175
176  switch(ts){
177  case DMA_SIZE_BYTE:
178      DMAC.DMATCR0.LONG = size;           /* Specify transfer count (1/1) */
179      DMAC.RDMATCR0.LONG = size;
180      break;
181  case DMA_SIZE_WORD:
182      DMAC.DMATCR0.LONG = size >> 1u;    /* Specify transfer count (1/2) */
183      DMAC.RDMATCR0.LONG = size >> 1u;
184      break;
185  case DMA_SIZE_LONG:
186      DMAC.DMATCR0.LONG = size >> 2u;    /* Specify transfer count (1/4) */
187      DMAC.RDMATCR0.LONG = size >> 2u;
188      break;
189  case DMA_SIZE_LONGx4:
190      DMAC.DMATCR0.LONG = size >> 4u;    /* Specify transfer count (1/16) */
191      DMAC.RDMATCR0.LONG = size >> 4u;
192      break;
193  default:
194      break;
195  }
196
197  /* ----Setting DMA channel control register---- */
198  DMAC.CHCR1.LONG = 0x00001800ul | (ts << 3u) | (ie << 2u) ;
199  /*
200     bit31      : TC DMATCR transfer0----- Transfer once
201     bit30      : reserve 0
202     bit29      : RLDSAR OFF : 0----- Disable SAR reload function
203     bit28      : RLDDAR OFF : 0----- Disable DAR reload function
204     bit27-24   : reserve 0
205     bit23      : DO over run0 : 0----- Unused
206     bit22      : TL TEND low active : 0---- Unused
207     bit21      : reserve 0
208     bit20      : TEMASK : TE set mask : 0-- Disable DMA transfer when TE bit is set
209     bit19      : HE :0----- Unused
210     bit18      : HIE :0----- Unused
211     bit17      : AM :0----- Unused
212     bit16      : AL :0----- Unused
213     bit15-14   : DML:0 DMO:0----- Fix destination address
214     bit13-12   : SML:0 SMO:1----- Increment source address
215     bit11-8    : RS : auto request : B'1000- DMA extension resource selector
216     bit7       : DL : DREQ level : 0 ----- Unused

```

5. Sample Program Listing "main.c" (5)

```

217         bit6      : DS : DREQ select :0 Low level   Unused
218         bit5      : TB : cycle :0-----          Cycle-stealing mode
219         bit4-3    : TS : transfer size:B'00---     Byte transfer
220         bit2      : IE : interrupt enable:0---     Disable interrupt
221         bit1      : TE : transfer end-----
222         bit0      : DE : DMA enable bit:0-----   DMA
223     */
224
225     /* ----Setting DMA extension resource selector 0---- */
226     DMAC.DMARS0.BIT.CH1MID = 0x20;                /* MID = SCIF0 */
227     DMAC.DMARS0.BIT.CH1RID = 0x01;                /* RID = Transmission */
228
229     /* ----Setting DMA operation register---- */
230     DMAC.DMAOR.WORD &= 0xffff9u;                 /* Clear AE,NMI bits */
231
232     if(DMAC.DMAOR.BIT.DME == 0ul){                /* Enable DMA transfer on all channels */
233         DMAC.DMAOR.BIT.DME = 1ul;
234     }
235
236     /* ----DMA transfer execution---- */
237     DMAC.CHCR1.BIT.DE = 1ul;                      /* Enable DMA transfer */
238 }
239 /*"FUNC COMMENT"*****
240 * Outline      : DMAC stop
241 *-----
242 * Include      : #include "iodefine.h"
243 *-----
244 * Declaration  : void io_dmal_stop(void);
245 *-----
246 * Function: Detects the end of DMA transfer and disables DMA transfer
247 *-----
248 * Argument: void
249 *-----
250 * Return Value: void
251 *-----
252 * Notice      :
253 /*"FUNC COMMENT END"*****/
254 void io_dmal_stop(void)
255 {
256     /* Detecting end of transfer */
257     while(DMAC.CHCR1.BIT.TE == 0ul){
258         /* Wait until the TE bit is set*/
259     }
260
261     /* ----Stopping DMA transfer---- */
262     DMAC.CHCR1.BIT.DE = 0ul;                      /* Disable DMA1 transfer */
263 }
264
265 /*"FUNC COMMENT"*****
266 * Outline      : Initial setting of SCIF0 as an asynchronous (UART) transmit module
267 *-----
268 * Include      : #include "iodefine.h"
269 *-----
270 * Declaration  : void io_init_scif0(int bps);
271 *-----

```

6. Sample Program Listing "main.c" (7)

```

272 * Function      : Initializes SCIF0
273 *              : Asynchronous (UART)/ 8 bits/ No parity/ 1 stop bit/ RTS/CTS disabled
274 *              : Baud rate is specified by argument bps
275 *              :
276 *-----
277 * Argument: int bps : Value for baud rate specification
278 *-----
279 * Return Value: void
280 *-----
281 * Notice       : The baud rate setting values given in this program are those when
282 *              : the peripheral module clock (Pf) frequency is 33 MHz. If a different
283 *              : clock is used, the baud rate setting values must be changed.
284 *"FUNC COMMENT END"*****
285 void io_init_scif0(int bps)
286 {
287     /* ====Power-down mode cancellation==== */
288     /* ----Setting standby control register 4 (STBCR4)---- */
289     CPG.STBCR4.BIT.MSTP47 = 0; /* Start clock supply to SCIF0 */
290
291     /* ====SCIF0 initialization==== */
292     /* ----Setting serial control register (SCSCrI)---- */
293     SCIF0.SCSCR.WORD = 0x0000; /* Stop transmission/reception by SCIF0 */
294
295     /* ----Setting FIFO control register (SCFCrI)---- */
296     SCIF0.SCFCR.BIT.TFRST = 1; /* Reset transmit FIFO */
297
298     /* ----Setting serial control register (SCSCrI)---- */
299     SCIF0.SCSCR.BIT.CKE = 0x0; /* B'00: Internal clock */
300
301     /* ----Setting serial mode register (SCSMrI)---- */
302     SCIF0.SCSMR.WORD = scif_baud[bps].scsmr;
303                                     /* Communication mode 0: Asynchronous mode */
304                                     /* Character length 0: 8-bit data */
305                                     /* Parity enable 0: Disable addition and check */
306                                     /* Parity mode 0: Even parity */
307                                     /* Stop bit length 0: 1 stop bit */
308                                     /* Clock select : Table value */
309
310     /* ----Setting bit rate register (SCBRRi)---- */
311     SCIF0.SCBRR.BYTE = scif_baud[bps].scbrr;
312
313     /* ----Setting FIFO control register (SCFCrI)---- */
314     SCIF0.SCFCR.WORD = 0x0030; /* Transmit FIFO data count trigger
315                                     : Number of data bytes = 0 */
316                                     /* Modem control enable : Disabled */
317                                     /* Transmit FIFO data register reset : Disabled */
318                                     /* Loopback test : Disabled */
319
320     /* ====Setting pin function controller (PFC)==== */
321     PORT.PECRL1.BIT.PE1MD = 0x3; /* Switch to TxD0 pin */
322
323     /* ----Setting serial control register (SCSCrI) ---- */
324     SCIF0.SCSCR.BIT.TIE = 1; /* Enable SCIF0 transmit interrupt */
325     SCIF0.SCSCR.BIT.TE = 1; /* Enable SCIF0 transmission */
326 }
327 /* End of File */

```

4. Documents for Reference

- Software Manual
SH-2A, SH2A-FPU Software Manual
The most up-to-date version of this document is available on the Renesas Technology Website.
- Hardware Manual
SH7203 Group Hardware Manual
SH7263 Group Hardware Manual
The most up-to-date version of this document is available on the Renesas Technology Website.

Website and Support

Renesas Technology Website

<http://www.renesas.com/>

Inquiries

<http://www.renesas.com/inquiry>

csc@renesas.com

Revision Record

Rev.	Date	Description	
		Page	Summary
1.00	Apr.17.08	—	First edition issued

All trademarks and registered trademarks are the property of their respective owners.

Notes regarding these materials

1. This document is provided for reference purposes only so that Renesas customers may select the appropriate Renesas products for their use. Renesas neither makes warranties or representations with respect to the accuracy or completeness of the information contained in this document nor grants any license to any intellectual property rights or any other rights of Renesas or any third party with respect to the information in this document.
2. Renesas shall have no liability for damages or infringement of any intellectual property or other rights arising out of the use of any information in this document, including, but not limited to, product data, diagrams, charts, programs, algorithms, and application circuit examples.
3. You should not use the products or the technology described in this document for the purpose of military applications such as the development of weapons of mass destruction or for the purpose of any other military use. When exporting the products or technology described herein, you should follow the applicable export control laws and regulations, and procedures required by such laws and regulations.
4. All information included in this document such as product data, diagrams, charts, programs, algorithms, and application circuit examples, is current as of the date this document is issued. Such information, however, is subject to change without any prior notice. Before purchasing or using any Renesas products listed in this document, please confirm the latest product information with a Renesas sales office. Also, please pay regular and careful attention to additional and different information to be disclosed by Renesas such as that disclosed through our website. (<http://www.renesas.com>)
5. Renesas has used reasonable care in compiling the information included in this document, but Renesas assumes no liability whatsoever for any damages incurred as a result of errors or omissions in the information included in this document.
6. When using or otherwise relying on the information in this document, you should evaluate the information in light of the total system before deciding about the applicability of such information to the intended application. Renesas makes no representations, warranties or guaranties regarding the suitability of its products for any particular application and specifically disclaims any liability arising out of the application and use of the information in this document or Renesas products.
7. With the exception of products specified by Renesas as suitable for automobile applications, Renesas products are not designed, manufactured or tested for applications or otherwise in systems the failure or malfunction of which may cause a direct threat to human life or create a risk of human injury or which require especially high quality and reliability such as safety systems, or equipment or systems for transportation and traffic, healthcare, combustion control, aerospace and aeronautics, nuclear power, or undersea communication transmission. If you are considering the use of our products for such purposes, please contact a Renesas sales office beforehand. Renesas shall have no liability for damages arising out of the uses set forth above.
8. Notwithstanding the preceding paragraph, you should not use Renesas products for the purposes listed below:
 - (1) artificial life support devices or systems
 - (2) surgical implantations
 - (3) healthcare intervention (e.g., excision, administration of medication, etc.)
 - (4) any other purposes that pose a direct threat to human lifeRenesas shall have no liability for damages arising out of the uses set forth in the above and purchasers who elect to use Renesas products in any of the foregoing applications shall indemnify and hold harmless Renesas Technology Corp., its affiliated companies and their officers, directors, and employees against any and all damages arising out of such applications.
9. You should use the products described herein within the range specified by Renesas, especially with respect to the maximum rating, operating supply voltage range, movement power voltage range, heat radiation characteristics, installation and other product characteristics. Renesas shall have no liability for malfunctions or damages arising out of the use of Renesas products beyond such specified ranges.
10. Although Renesas endeavors to improve the quality and reliability of its products, IC products have specific characteristics such as the occurrence of failure at a certain rate and malfunctions under certain use conditions. Please be sure to implement safety measures to guard against the possibility of physical injury, and injury or damage caused by fire in the event of the failure of a Renesas product, such as safety design for hardware and software including but not limited to redundancy, fire control and malfunction prevention, appropriate treatment for aging degradation or any other applicable measures. Among others, since the evaluation of microcomputer software alone is very difficult, please evaluate the safety of the final products or system manufactured by you.
11. In case Renesas products listed in this document are detached from the products to which the Renesas products are attached or affixed, the risk of accident such as swallowing by infants and small children is very high. You should implement safety measures so that Renesas products may not be easily detached from your products. Renesas shall have no liability for damages arising out of such detachment.
12. This document may not be reproduced or duplicated, in any form, in whole or in part, without prior written approval from Renesas.
13. Please contact a Renesas sales office if you have any questions regarding the information contained in this document, Renesas semiconductor products, or if you have any other inquiries.

Free Manuals Download Website

<http://myh66.com>

<http://usermanuals.us>

<http://www.somanuals.com>

<http://www.4manuals.cc>

<http://www.manual-lib.com>

<http://www.404manual.com>

<http://www.luxmanual.com>

<http://aubethermostatmanual.com>

Golf course search by state

<http://golfingnear.com>

Email search by domain

<http://emailbydomain.com>

Auto manuals search

<http://auto.somanuals.com>

TV manuals search

<http://tv.somanuals.com>