

M37549T-RLSS

Emulator MCU Board for 7548/7549 Group

User's Manual

Notes regarding these materials

1. This document is provided for reference purposes only so that Renesas customers may select the appropriate Renesas products for their use. Renesas neither makes warranties or representations with respect to the accuracy or completeness of the information contained in this document nor grants any license to any intellectual property rights or any other rights of Renesas or any third party with respect to the information in this document.
2. Renesas shall have no liability for damages or infringement of any intellectual property or other rights arising out of the use of any information in this document, including, but not limited to, product data, diagrams, charts, programs, algorithms, and application circuit examples.
3. You should not use the products or the technology described in this document for the purpose of military applications such as the development of weapons of mass destruction or for the purpose of any other military use. When exporting the products or technology described herein, you should follow the applicable export control laws and regulations, and procedures required by such laws and regulations.
4. All information included in this document such as product data, diagrams, charts, programs, algorithms, and application circuit examples, is current as of the date this document is issued. Such information, however, is subject to change without any prior notice. Before purchasing or using any Renesas products listed in this document, please confirm the latest product information with a Renesas sales office. Also, please pay regular and careful attention to additional and different information to be disclosed by Renesas such as that disclosed through our website. (<http://www.renesas.com>)
5. Renesas has used reasonable care in compiling the information included in this document, but Renesas assumes no liability whatsoever for any damages incurred as a result of errors or omissions in the information included in this document.
6. When using or otherwise relying on the information in this document, you should evaluate the information in light of the total system before deciding about the applicability of such information to the intended application. Renesas makes no representations, warranties or guaranties regarding the suitability of its products for any particular application and specifically disclaims any liability arising out of the application and use of the information in this document or Renesas products.
7. With the exception of products specified by Renesas as suitable for automobile applications, Renesas products are not designed, manufactured or tested for applications or otherwise in systems the failure or malfunction of which may cause a direct threat to human life or create a risk of human injury or which require especially high quality and reliability such as safety systems, or equipment or systems for transportation and traffic, healthcare, combustion control, aerospace and aeronautics, nuclear power, or undersea communication transmission. If you are considering the use of our products for such purposes, please contact a Renesas sales office beforehand. Renesas shall have no liability for damages arising out of the uses set forth above.
8. Notwithstanding the preceding paragraph, you should not use Renesas products for the purposes listed below:
 - (1) artificial life support devices or systems
 - (2) surgical implantations
 - (3) healthcare intervention (e.g., excision, administration of medication, etc.)
 - (4) any other purposes that pose a direct threat to human life

Renesas shall have no liability for damages arising out of the uses set forth in the above and purchasers who elect to use Renesas products in any of the foregoing applications shall indemnify and hold harmless Renesas Technology Corp., its affiliated companies and their officers, directors, and employees against any and all damages arising out of such applications.
9. You should use the products described herein within the range specified by Renesas, especially with respect to the maximum rating, operating supply voltage range, movement power voltage range, heat radiation characteristics, installation and other product characteristics. Renesas shall have no liability for malfunctions or damages arising out of the use of Renesas products beyond such specified ranges.
10. Although Renesas endeavors to improve the quality and reliability of its products, IC products have specific characteristics such as the occurrence of failure at a certain rate and malfunctions under certain use conditions. Please be sure to implement safety measures to guard against the possibility of physical injury, and injury or damage caused by fire in the event of the failure of a Renesas product, such as safety design for hardware and software including but not limited to redundancy, fire control and malfunction prevention, appropriate treatment for aging degradation or any other applicable measures. Among others, since the evaluation of microcomputer software alone is very difficult, please evaluate the safety of the final products or system manufactured by you.
11. In case Renesas products listed in this document are detached from the products to which the Renesas products are attached or affixed, the risk of accident such as swallowing by infants and small children is very high. You should implement safety measures so that Renesas products may not be easily detached from your products. Renesas shall have no liability for damages arising out of such detachment.
12. This document may not be reproduced or duplicated, in any form, in whole or in part, without prior written approval from Renesas.
13. Please contact a Renesas sales office if you have any questions regarding the information contained in this document, Renesas semiconductor products, or if you have any other inquiries.



CAUTION

If the requirements shown in the "CAUTION" sentences are ignored, the equipment may cause personal injury or damage to the products.

Renesas Tools Homepage <http://www.renesas.com/tools>

Rev.1.00
Jul. 10, 2007
REJ10J1444-0100

(1/4)

Renesas Technology
www.renesas.com

1. Outline

The M37549T-RLSS is an emulator MCU board for the 7548/7549 Group.

2. Package Components

- (1) M37549T-RLSS 1 pc.
- (2) M37549T-RLSS User's Manual (This manual) 1 pc.
- (3) M37549T-RLSS User's Manual (Japanese) 1 pc.

3. Specifications

Table 1 Specifications

Emulator	M38000T2-CPE *
Operating mode	Single-chip mode
Maximum operating frequency	Vcc = 4.5 to 5.0 V: 8.0 MHz (frequency/2 mode) Vcc = 2.4 to 5.0 V: 2.0 MHz (frequency/2 mode) Vcc = 2.2 to 5.0 V: 1.0 MHz (frequency/2 mode) Vcc = 4.0 to 5.0 V: 8.0 MHz (High-speed mode) Vcc = 2.4 to 5.0 V: 4.0 MHz (High-speed mode) Vcc = 1.8 to 5.0 V: 1.0 MHz (High-speed mode)
Operating power voltage	1.8 to 5.5 V

* A combination of the PC4701 and M38000TL2-FPD is not supported.

4. External Dimensions

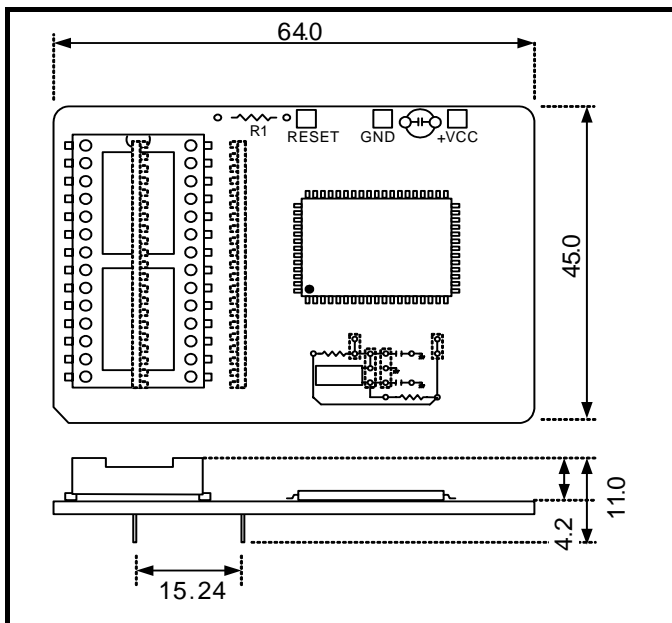


Figure 1 External dimensions

5. Connection Procedure to the user system

Connect the emulation probe to the connector on the upper panel of the M37549T-RLSS. Connect the M37549T-RLSS to the 42-pin SDIP socket on the user system. Table 2 shows pin allocation of the M37549T-RLSS, and Figure 2 shows connector dimensions.

Table 2 CN1 connector pin allocation

Pin No	Signal	Pin No	Signal
1	N.C	42	N.C
2	N.C	41	N.C
3	N.C	40	P13/AN3/KEY3
4	P14/AN4/KEY4	39	P12/AN2/CMP2
5	P15/AN5/KEY5	38	P11/AN1/CMP1
6	RESET	37	P10/AN0/CMP0
7	P16/AN6/KEY6	36	P31
8	P17/AN7/KEY7	35	P30
9	N.C	34	Reserved
10	N.C	33	Reserved
11	N.C	32	Reserved
12	P20/Xout/Xcout	31	Reserved
13	Vss	30	P07(LED7)/Srdy
14	P21/Xin/Xcin	29	P06(LED6)/Sclk
15	Vcc	28	P05(LED5)/TxD
16	CNVss	27	P04(LED4)/RxD
17	P00(LED0)/INT0	26	P03(LED3)/CAP0
18	P01(LED1)/INT1	25	P02(LED2)
19	N.C	24	N.C
20	N.C	23	N.C
21	Vss	22	N.C

* Do not connect signal to Reserved parts.

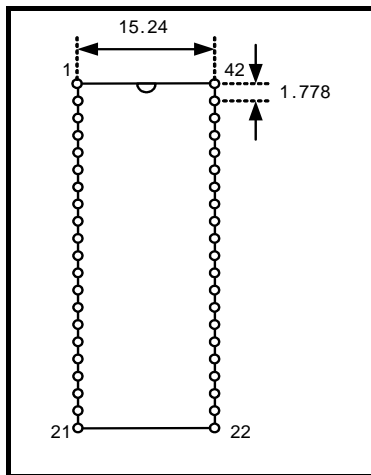


Figure 2 CN connector dimensions

6. Oscillator Circuit

This product has two oscillator circuit patterns for the main clock XIN and sub-clock XCIN. The oscillator circuit on the user system may not work properly because the oscillator circuit pin of the emulator MCU is not close enough to the oscillator circuit of the user system. In this case, mount the oscillator circuit on the oscillator circuit pattern of the M37549T-RLSS.

Figures 3, 4 and 5 show the M37549T-RLSS circuit pattern and diagram.

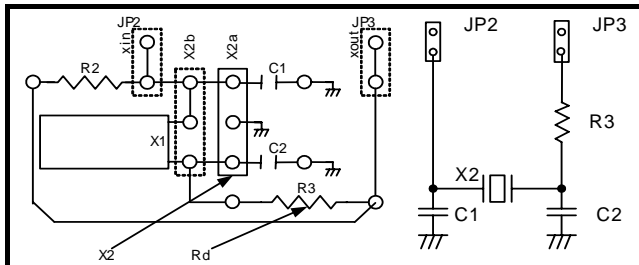


Figure 3 When a ceramic oscillator with built-in capacitor is used for Xin/Xout

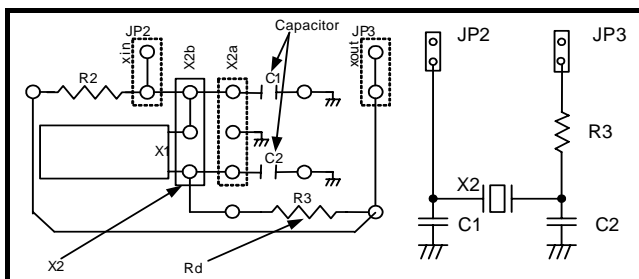


Figure 4 When a ceramic oscillator without built-in capacitor is used for Xin/Xout

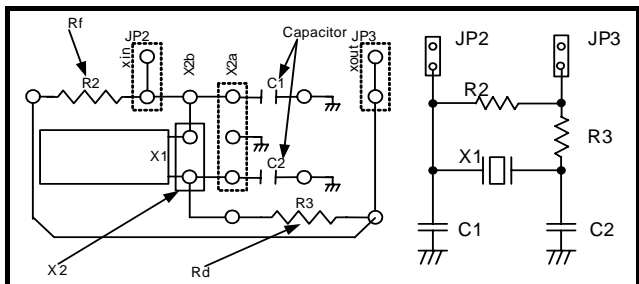


Figure 5 When Xcin/Xcout is used as a circuit

7. Precautions

IMPORTANT

Notes on This Product:

- We cannot accept any request for repair.
- When using the oscillator circuit on the M37549T-RLSS, check output waveform of pin Xout and pin Xcout with an oscilloscope.
- When mounting an oscillator circuit on the M37549T-RLSS, make sure not to short-circuit the user system.
- For inquiries about the product or the contents of this manual, contact your local distributor.

Renesas Tools Homepage

<http://www.renesas.com/tools>

Free Manuals Download Website

<http://myh66.com>

<http://usermanuals.us>

<http://www.somanuals.com>

<http://www.4manuals.cc>

<http://www.manual-lib.com>

<http://www.404manual.com>

<http://www.luxmanual.com>

<http://aubethermostatmanual.com>

Golf course search by state

<http://golfingnear.com>

Email search by domain

<http://emailbydomain.com>

Auto manuals search

<http://auto.somanuals.com>

TV manuals search

<http://tv.somanuals.com>