



# M306V2T-RPD-E

---

Emulation Pod for M306V2, M306V5 MCUs

## User's Manual

### **Keep safety first in your circuit designs!**

- Renesas Technology Corporation and Renesas Solutions Corporation put the maximum effort into making semiconductor products better and more reliable, but there is always the possibility that trouble may occur with them. Trouble with semiconductors may lead to personal injury, fire or property damage. Remember to give due consideration to safety when making your circuit designs, with appropriate measures such as (i) placement of substitutive, auxiliary circuits, (ii) use of nonflammable material or (iii) prevention against any malfunction or mishap.

### **Notes regarding these materials**

- These materials are intended as a reference to assist our customers in the selection of the Renesas Technology product best suited to the customer's application; they do not convey any license under any intellectual property rights, or any other rights, belonging to Renesas Technology Corporation, Renesas Solutions Corporation or a third party.
- Renesas Technology Corporation and Renesas Solutions Corporation assume no responsibility for any damage, or infringement of any third-party's rights, originating in the use of any product data, diagrams, charts, programs, algorithms, or circuit application examples contained in these materials.
- All information contained in these materials, including product data, diagrams, charts, programs and algorithms represents information on products at the time of publication of these materials, and are subject to change by Renesas Technology Corporation and Renesas Solutions Corporation without notice due to product improvements or other reasons. It is therefore recommended that customers contact Renesas Technology Corporation, Renesas Solutions Corporation or an authorized Renesas Technology product distributor for the latest product information before purchasing a product listed herein. The information described here may contain technical inaccuracies or typographical errors. Renesas Technology Corporation and Renesas Solutions Corporation assume no responsibility for any damage, liability, or other loss rising from these inaccuracies or errors. Please also pay attention to information published by Renesas Technology Corporation and Renesas Solutions Corporation by various means, including the Renesas home page (<http://www.renesas.com>).
- When using any or all of the information contained in these materials, including product data, diagrams, charts, programs, and algorithms, please be sure to evaluate all information as a total system before making a final decision on the applicability of the information and products. Renesas Technology Corporation and Renesas Solutions Corporation assume no responsibility for any damage, liability or other loss resulting from the information contained herein.
- Renesas Technology semiconductors are not designed or manufactured for use in a device or system that is used under circumstances in which human life is potentially at stake. Please contact Renesas Technology Corporation, Renesas Solutions Corporation or an authorized Renesas Technology product distributor when considering the use of a product contained herein for any specific purposes, such as apparatus or systems for transportation, vehicular, medical, aerospace, nuclear, or undersea repeater use.
- The prior written approval of Renesas Technology Corporation and Renesas Solutions Corporation is necessary to reprint or reproduce in whole or in part these materials.
- If these products or technologies are subject to the Japanese export control restrictions, they must be exported under a license from the Japanese government and cannot be imported into a country other than the approved destination. Any diversion or reexport contrary to the export control laws and regulations of Japan and/or the country of destination is prohibited.
- Please contact Renesas Technology Corporation or Renesas Solutions Corporation for further details on these materials or the products contained therein.

### **Precautions to be taken when using this product**

- This product is a development supporting unit for use in your program development and evaluation stages. In mass-producing your program you have finished developing, be sure to make a judgment on your own risk that it can be put to practical use by performing integration test, evaluation, or some experiment else.
- In no event shall Renesas Solutions Corporation be liable for any consequence arising from the use of this product.
- Renesas Solutions Corporation strives to renovate or provide a workaround for product malfunction at some charge or without charge. However, this does not necessarily mean that Renesas Solutions Corporation guarantees the renovation or the provision under any circumstances.
- This product has been developed by assuming its use for program development and evaluation in laboratories. Therefore, it does not fall under the application of Electrical Appliance and Material Safety Law and protection against electromagnetic interference when used in Japan.
- Do not attempt to modify this equipment. If modified, your authority to operate this equipment might be voided by FCC.  
Note: This equipment has been tested and found to comply with the limits for a Class A digital device, pursuant to part 15 of the FCC Rules. These limits are designed to provide reasonable protection against harmful interference when the equipment is operated in a commercial environment. This equipment generates, uses, and can radiate radio frequency energy and, if not installed and used in accordance with the instruction manual, may cause harmful interference to radio communications. Operation of this equipment in a residential area is likely to cause harmful interference in which case the user will be required to correct the interference at his own expense.  
Warning: This is a Class A product. In a domestic environment this product may cause radio interference in which case the user may be required to take adequate measures.

For inquiries about the contents of this document or product, fill in the text file the installer of the emulator debugger generates in the following directory and email to your local distributor.

\\SUPPORT\Product-name\SUPPORT.TXT

Renesas Tools Homepage <http://www.renesas.com/en/tools>

# Preface

The M306V2T-RPD-E is an emulation pod for the M306V2 and M306V5 of 16-bit microcomputers. It's used with a PC4701 emulator.

This user's manual mainly describes specifications of the M306V2T-RPD-E emulation pod and how to setup it. For details on the following products, which are used with M306V2T-RPD-E, refer to each product's user's manual.

- Emulator: PC4701M/PC4701HS/PC4701L User's Manual
- Emulator debugger: M3T-PD30 User's Manual

All the components of this product are shown in "2.2 Package Components" (page 19) of this user's manual. If there is any question or doubt about this product, contact your local distributor.

## To use the product properly

### Precautions for Safety



- In both this User's Manual and on the product itself, several icons are used to insure proper handling of this product and also to prevent injuries to you or other persons, or damage to your properties.
- The icons' graphic images and meanings are given in "Chapter 1. Precautions for Safety". Be sure to read this chapter before using the product.

## When using outside Japan



- When using in Europe, the United States, or Canada, be sure to use both the emulator and the emulation pod which meet overseas standards. EMI standards are not met when the M306V2T-RPD-E is used with the PC4700H or PC4700L emulator.

# Contents

Chapter 1. Precautions for Safety .....	7
1.1 Safety Symbols and Meanings .....	8
Chapter 2. Preparation .....	17
2.1 Terminology .....	18
2.2 Package Components .....	19
2.3 Other Tool Products Required for Development .....	19
2.4 Name of Each Part .....	20
(1) System Configuration .....	20
(2) Inside of Emulation Pod .....	21
2.5 When Using the Emulator for the First Time .....	22
Chapter 3. Setting Up .....	23
3.1 Removing the Upper Cover .....	24
3.2 Switch Settings .....	25
3.3 Selecting Clock Supply .....	29
(1) Using the Oscillator Circuit on the Target System .....	30
(2) Changing the Internal Oscillator Circuit of Emulation Pod .....	31
(3) Replacing the Oscillator Circuit Boards .....	32
3.4 Circuits of Data Slicer I/O Signal and OSD Clock I/O Signal .....	33
3.5 A-D Conversion Bypass Capacitor .....	35
3.6 Connecting the PC4701 and Emulation Pod .....	36
(1) Connecting the Cable to the PC4701 .....	36
(2) Connecting the Cable to the Emulation Pod .....	37
3.7 Connecting the Target System .....	38
Chapter 4. Usage .....	39
4.1 Turning On the Power .....	40
(1) Checking the Connection of Emulator System .....	40
(2) Turning On the Power .....	40
(3) LED Display When PC4701 Starts Up Normally .....	41
4.2 Downloading Firmware .....	42
(1) When It is Necessary to Download Firmware .....	42
(2) Downloading Firmware in Maintenance Mode .....	42
4.3 Self-checks .....	43
(1) Self-check Procedure .....	43
(2) If an Error is Detected in Self-checks .....	43

Chapter 5. Specifications .....	45
5.1 Specifications .....	46
5.2 Operation Timing in Memory Expansion and Microprocessor Modes (5V) .....	47
(1) Separate Bus, No-Wait .....	47
(2) Separate Bus, With Wait, Accessing External Memory Area .....	49
(3) Multiplex Bus, With Wait, Accessing External Memory Area .....	51
(4) Timing Requirements .....	53
5.3 Electrical Characteristics .....	55
5.4 Connection Diagram .....	56
5.5 External Dimensions .....	58
(1) External Dimensions of Emulation Pod .....	58
(2) External Dimensions of Pitch Converter Board (FLX-100LCC) .....	59
Chapter 6. Troubleshooting .....	61
6.1 Flowchart to Remedy the Troubles .....	62
6.2 When the Emulator Debugger Does Not Start Up Properly .....	63
(1) When the LED Display of PC4701 is Abnormal .....	63
(2) Errors Occur When the Emulator Debugger Starts Up (When the target system is connected) .....	64
(3) Errors Occur When the Emulator Debugger Starts Up (When the target system is not connected) .....	65
6.3 Operation Differs from That of Actual MCUs .....	65
(1) A-D Conversion Values are Different from Expected Values .....	65
Chapter 7. Maintenance and Guarantee .....	67
7.1 Maintenance .....	68
7.2 Guarantee .....	68
7.3 Repair Provisions .....	68
7.4 How to Request for Repair .....	69

# MEMO

# Chapter 1. Precautions for Safety

This chapter describes precautions for using this product safely and properly. For precautions for the emulator main unit and the emulator debugger, refer to each user's manual included with your product.



1.1 Safety Symbols and Meanings .....	8
<b>WARNING</b> Warning for Installation .....	9
Warnings for Use Environment .....	9
<b>CAUTION</b> Caution to Be Taken for Modifying This Product .....	9
Cautions to Be Taken for This Product .....	9
<b>IMPORTANT</b> Note on Malfunctions in the PC4701 System .....	9
Notes on Downloading Firmware .....	10
Notes on Target System .....	10
Note on Reset Input .....	10
Notes on Watchdog Function .....	10
Note on When the Emulator Debugger Ends .....	10
Note on DMA Transfer .....	11
Note on Setting the Work Area .....	11
Notes on Stack Area .....	11
Note on Address 0 Access .....	11
Note on Stop and Wait Modes .....	11
Notes on MAP References and Settings .....	12
Notes on S/W Breaks and H/W Breaks .....	12
Note on BRK Instruction .....	12
Note on NMI* Input .....	13
Notes on HOLD* Input .....	13
Notes on Address Match Interrupt .....	13
Note on Software Reset .....	13
Note on Protect Resister (PRC2) .....	13
Note on Setting BCLK Output Disable Bit (PM07) .....	13
Note on Differences between Actual MCU and Emulator .....	14

# Chapter 1. Precautions for Safety


In both the user's manual and on the product itself, several icons are used to insure proper handling of this product and also to prevent injuries to you or other persons, or damage to your properties.


This chapter describes the precautions which should be taken in order to use this product safely and properly. Be sure to read this chapter before using this product.


## 1.1 Safety Symbols and Meanings

	<b>WARNING</b>	If the requirements shown in the "WARNING" sentences are ignored, the equipment may cause serious personal injury or death.
	<b>CAUTION</b>	If the requirements shown in the "CAUTION" sentences are ignored, the equipment may malfunction.
	<b>IMPORTANT</b>	It means important information on using this product.

In addition to the three above, the following are also used as appropriate.

△ means WARNING or CAUTION.  
Example:  **CAUTION AGAINST AN ELECTRIC SHOCK**

⊘ means PROHIBITION.  
Example:  **DISASSEMBLY PROHIBITED**

● means A FORCIBLE ACTION.  
Example:  **UNPLUG THE POWER CABLE FROM THE RECEPTACLE.**

The following pages describe the symbols "WARNING", "CAUTION", and "IMPORTANT".



## ⚠ WARNING

### Warning for Installation:



- Do not set this product in water or areas of high humidity. Spilling water or some other liquid into the main unit can cause an unreparable damage.

### Warnings for Use Environment:



- The emulation pod is air-cooled with the ventilation slot. Therefore, do not block the ventilation slot. When heated to high temperatures, the emulation pod may not work properly.
- This equipment is to be used in an environment with a maximum ambient temperature of 35°C. Care should be taken that this temperature is not exceeded.

## ⚠ CAUTION

### Caution to Be Taken for Modifying This Product:



- Do not disassemble or modify this product. Disassembling or modifying this product can cause damage. Disassembling and modifying the product will void your warranty.

### Cautions to Be Taken for This Product:



- Use caution when handling the main unit. Be careful not to apply a mechanical shock.
- Do not touch the connector pins of the emulator main unit and the target MCU connector pins. Static electricity may damage the internal circuits.
- Do not pull the emulation pod main unit by the flexible cable (FLX120-RPD) for connecting to the emulator main unit or the flexible cable (FLX64, FLX100 or FLX160) for connecting the target system. The cable may cause a break.
- The flexible cable (FLX120-RPD) for connecting to the emulator main unit and the flexible cable (FLX64, FLX100 or FLX160) for connecting the target system are different from earlier models. The slits make them more flexible. However, excessive flexing or force may break conductors.
- Do not use inch-size screws for this equipment. The screws used in this equipment are all ISO (meter-size) type screws. When replacing screws, use same type screws as equipped before.

## IMPORTANT

### Note on Malfunctions in the PC4701 System

- If the emulator malfunctions because of interference like external noise, do the following to remedy the trouble.
  - (1) Press the RESET switch on the emulator front panel.
  - (2) If normal operation is not restored after step (1), shut OFF power to the emulator once and then reactivate it.

# IMPORTANT

## Notes on Downloading Firmware:

- Before using this product for the first time, it is necessary to download the dedicated firmware (control software for the emulation pod built into the PC4701). Please note that, to do this, it is necessary to start up the PC4701 in the maintenance mode. For firmware download procedures, see "4.2 Downloading Firmware" (page 42). Once the firmware has been downloaded, the product can be used by simply turning on the power.
- Do not shut off the power while downloading the firmware. If this happens, the product will not start up properly. If power is shut off unexpectedly, redownload the firmware.
- Except when a target status error occurs, if self-checks are not completed successfully, there may be trouble with the product. In such case, contact your sales representative. However, perform self-checks in the below setup.

- (1) Target system: Not connected
- (2) Emulation pod internal switches: At their factory settings

## Notes on Target System:

- The Vcc pin of emulator is connected to the target system to observe the voltage of the target system. For this reason, it is impossible to supply the power from the emulator to the target system. Therefore design your system so that the target system is powered separately.
- The voltage of the target system should be within the range of the MCU specification.
- Do not change the voltage of the target system after turning on the power.
- Before powering on your emulator system, check that the host machine, the emulator main unit, the converter board and target system are all connected correctly. Next, turn on the power to each equipment following the procedure below.
  - (1) Turn ON/OFF the target system and the PC4701 emulator as simultaneously as possible.
  - (2) When the PC4701 and emulator debugger start up, check the target status LEDs on the emulator main unit's front panel to see if this product is ready to operate.
    - Is the power supplied? Check that target status LED (POWER) is ON.  
For details, refer to "Chapter 4. Usage" (page 39).

## Note on Reset Input:

- The reset input from the target system is accepted only while a user program is being executed (only while the RUN status LED on the PC4701's front panel is lit).

## Notes on Watchdog Function:

- The MCU's watchdog timer can be used only while programs are being executed. To use it otherwise, disable the timer.
- If the reset circuit of the target system has a watchdog timer, disable it when using the emulator.

## Note on When the Emulator Debugger Ends:

- To restart the emulator debugger after it ends, always shut power to the emulator module off once and then on again.

# IMPORTANT

## Note on DMA Transfer:

- With this product, the program is stopped with a loop program to a specific address. Therefore, if a DMA request is generated by a timer or other source while the program is stopped, DMA transfer is executed. However, make note of the fact that DMA transfer while the program is stopped may not be performed correctly. Also note that the below registers have been changed to generate DMA transfer as explained here even when the program is stopped.

DMA0 transfer counter register TCR0

DMA1 transfer counter register TCR1

## Note on Setting the Work Area:

- To use this product, it is necessary to set the work area in the internal reserved area of the MCU. However, do not set it in the last 10 bytes of the internal reserved area. And be sure to set the internal reserved area to INTERNAL. (Set the work area by the INIT dialog of emulator debugger M3T-PD30.)

Example: When debugging the program of the MCU whose internal reserved area is 01800<sub>16</sub> to 02BFF<sub>16</sub>, set the work area within the range of 01800<sub>16</sub> to 02BF6<sub>16</sub>.

For instance, when setting the work area at 01800<sub>16</sub>, the emulator uses 10 bytes area of 01800<sub>16</sub> to 01809<sub>16</sub>.

## Notes on Stack Area:

- With this product, a maximum 8 bytes of the user stack is consumed.
- If the user stack does not have enough area, do not use areas which cannot be used as stack (SFR area, RAM area which stores data, or ROM area) as work area. Using areas like this is a cause of user program crashes and destabilized emulator control. Therefore, ensure the +8 bytes maximum capacity used by the user program as the user stack area.

## Note on Address 0 Access:

- With the M306V2 and M306V5 MCUs, when a maskable interrupt is generated, the interrupt data (interrupt No. and interrupt request level) stored in address 0 is read out. Also, the interrupt request bit is cleared when address 0 is read out. Consequently, when the address 0 readout instruction is executed or when address 0 is read out in the cause of a program runaway, a malfunction occurs in that the interrupt is not executed despite the interrupt request, because the request bit of the highest priority interrupt factor enabled is cleared.

For this malfunction, when the reading out to the 0 address is generated excluding the interrupt, the yellow LED lights up to alarm. When this LED lights, there is a possibility of wrong access, therefore check the program. This LED is turned off by the RESET switch of the emulator main unit.

## Note on Stop and Wait Modes:

- Do not perform step execution at addresses in the stop or wait mode. It may cause communication errors.



# IMPORTANT

## Note on NMI\* Input:

- NMI\* input from the target system is accepted only while a user program is being executed (only while the RUN status LED on the PC4701's front panel is lit).

## Notes on HOLD\* Input:

- Be sure to input "Low" to the HOLD\* pin of the target system during the user program executing (while the RUN status LED on the PC4701's front panel is lit). Inputting "Low" to the HOLD\* pin when stopping the user program or when run-time debugging may cause a malfunction of the emulator.
- When inputting "Low" to the HOLD\* pin to run into the HOLD state, P0<sub>0</sub> to P5<sub>2</sub> will be in the HOLD state delaying by 2.5 cycles than the actual MCU (see Table 5.5, Figure 5.5).

## Notes on Address Match Interrupt:

- Do not set software breaks at the same addresses as address-match interrupts as the program may run out of control.
- Do not set a hardware break within 4 instructions before an address at which an address-match interrupt occurs. If you do set a hardware break in this range, the program will run out of control.
- When an address at which an address-match interrupt occurs is executed in one-step mode, the program stops after executing the first instruction after returning from the address-match interrupt processing.

## Note on Software Reset:

- Do not use a software reset.

## Note on Protect Resister (PRC2):

- Make note of the fact that the protect is not canceled when the protect register (PRC2), which enables writing in the port P9 direction register, is changed with the below procedure.
  - (1) Step execution of the "instruction for setting ("1") PRC2".
  - (2) Setting the break point from the "instruction for setting ("1") PRC2" to the "setting the register for the protect".
  - (3) "Setting ("1") PRC2" from the dump window, script window or others.

## Note on Setting BCLK Output Disable Bit (PM07):

- Do not set the 7th bit (PM07: BCLK output disable bit) of the processor mode register 0 (address 0004<sub>16</sub>) to "1". Otherwise, this emulation pod does not work properly.

# IMPORTANT

## Note on Differences between Actual MCU and Emulator:

- Operations of the emulator differs from those of actual MCUs as listed below.
  - (1) Reset condition  
Set the time for starting up (0.2V<sub>cc</sub> to 0.8V<sub>cc</sub>) 1μs or less.
  - (2) Data values of ROM area at power-on
  - (3) Internal memories (RAM and ROM) capacities etc.
  - (4) Characteristics of Port P0<sub>0</sub> to P5<sub>7</sub>  
Ports P0<sub>0</sub> to P5<sub>7</sub> are connected via port emulation circuits. The device used for the port emulation circuit is:

Device: M60074-0111FP

- (5) A-D input  
As a flexible cable, a pitch converter board and other devices are used between the evaluation MCU and the target system, some characteristics are slightly different from those of the actual MCU. Therefore, be sure to evaluate your system with an evaluation MCU. Before starting mask production, evaluate your system and make final confirmation with an ES (Engineering Sample) version MCU.
- (6) Pull-up control  
Port P0-P5 pullup control in this product is different between modes as shown in Table 1.1. There is not difference for ports P6 to P10.

*Table 1.1 P0-P5 Pullup control*

	Single-chip mode	Memory expansion/microprocessor mode
Actual MCU	(1) Enabled for only input ports (2) Can be set bitwise	Disabled (Enabled if P44 (CS0) to P47 (CS3) are used as input ports, however.)
This emulation pod	(1) Always enabled irrespective of operation mode (Also enabled when used as address/data bus or output ports) (2) Cannot be set bitwise Can only be set in units of 4 bits (P00-P03, P04-P07, ... P50-P53, P54-P57). If any bit in the 4-bit unit is enabled for pullup, all of the four bits are enabled for pullup.	

- (7) Write to pullup control registers 0, 1 (addresses 03FC<sub>16</sub>, 03FD<sub>16</sub>)  
When you write to pullup control registers 0, 1 (addresses 03FC<sub>16</sub>, 03FD<sub>16</sub>), always be sure to write in units of words beginning with address 03FC<sub>16</sub>.  
This paragraph constitutes a limitation on M306V2T-RPD-E.
- (8) Ports P50-P53  
When you enable the pullup resistors of these ports in single-chip mode by setting pullup control register 1 bit 2 (PUR12) to "1", always be sure to set processor mode register 0 bit 2 (PM02) and bit 7 (PM07) both to "0".  
This paragraph constitutes a limitation on M306V2T-RPD-E.

# IMPORTANT

(9) Outputs of the actual MCU and this product

*Table 1.2 Differences of outputs between actual MCU and this product (when executing program)*

Access area	Signal	Actual MCU	This product	* for difference
SFR area (MAP=EXT)	Address BHE*	Outputs	Outputs	
	Data	Outputs (floating during read operating)	Floating	*
	RD* WR*	Outputs (WR*=Low at write cycle, RD*=Low at read cycle)	Does not output	*
	CS*	Does not output (fixed to High output)	Does not output (fixed to High output)	
	ALE	Does not output (fixed to Low output)	Outputs	*
Internal RAM Internal ROM	Address BHE*	Retains previous status	Outputs	*
	Data	Floating	Floating	
	RD* WR*	Does not output (fixed to High output)	Does not output (fixed to High output)	
	CS*	Does not output (fixed to High output)	Does not output (fixed to High output)	
	ALE	Does not output (fixed to Low output)	Outputs	*
External area	Address BHE*	Outputs	Outputs	
	Data	Outputs (inputs external data at read cycle)	Outputs (inputs external data at read cycle)	
	RD* WR*	Outputs (WR*=Low at write cycle, RD*=Low at read cycle)	Outputs (WR*=Low at write cycle, RD*=Low at read cycle)	
	CS*	Outputs	Outputs	
	ALE	Outputs	Outputs	

*Table 1.3 Differences of outputs between actual MCU and this product (when stopping program)*

Access area	Signal	Actual MCU	This product	* for difference
/	Address BHE*	/	Outputs	/
	Data		Floating	
	RD* WR*		Outputs RD* only (WR* is fixed to High output)	
	CS*		Outputs	
	ALE		Outputs	

# IMPORTANT

*Table 1.4 Differences of outputs between actual MCU and this product (in stop mode)*

Access area	Signal	Actual MCU	This product	* for difference
/	Address BHE*	Retains previous status	Retains previous status	
	Data	Retains previous status	Floating	*
	RD* WR*	Does not output (fixed to High output)	Does not output (fixed to High output)	
	CS*	Retains previous status	Retains previous status	
	ALE	Does not output (fixed to High output)	Does not output (fixed to High output)	

*Table 1.5 Differences of outputs between actual MCU and this product (in wait mode)*

Access area	Signal	Actual MCU	This product	* for difference
/	Address BHE*	Retains previous status	Retains previous status	
	Data	Retains previous status	Floating	*
	RD* WR*	Does not output (fixed to High output)	Does not output (fixed to High output)	
	CS*	Retains previous status	Retains previous status	
	ALE	Does not output (fixed to High output)	Does not output (fixed to High output)	



# Chapter 2. Preparation

This chapter describes the package components, the system configuration and the preparation for using this product for the first time.

2.1 Terminology .....	18
2.2 Package Components .....	19
2.3 Other Tool Products Required for Development .....	19
2.4 Name of Each Part .....	20
(1) System Configuration .....	20
(2) Inside of Emulation Pod .....	21
2.5 When Using the Emulator for the First Time .....	22

# Chapter 2. Preparation

## 2.1 Terminology

Some specific words used in this user's manual are defined as follows:

### **Emulator system**

This means an emulator system built around the PC4701 emulator. The PC4701 emulator system is configured with an emulator main unit, emulation pod, host machine and emulator debugger.

### **Emulator main unit (Hereafter PC4701)**

This means a generic name for emulators for 8 and 16-bit MCUs. For details on specific models of PC4701, visit the Renesas Tools Homepage.

<http://www.renesas.com/en/tools>

### **Emulation pod**

This means M306V2T-RPD-E (this product). This emulation pod is for M306V2 and M306V5 MCUs.

### **Host machine**

This means a personal computer used to control the emulator and emulation pod.

### **Emulator debugger**

This means a software tool M3T-PD30 to control the emulator from the host machine through an interface.

### **Firmware**

Program that analyzes contents of communication with the emulator debugger and controls the emulator hardware. This program is installed in the EEPROM. This program is downloadable from the emulator debugger to upgrade the firmware or to support other MCUs.

### **Evaluation MCU**

This means the microcomputer mounted on the emulation pod which is operated in the specific mode for tools.

### **Target MCU**

This means the microcomputer you are going to debug.

### **Target system**

This means a user's application system using the microcomputer to be debugged.

\*

In this user's manual, this symbol is used to show active "Low". (e.g. RESET\*: Reset signal)

## 2.2 Package Components

The M306V2T-RPD-E package consists of the following items. When unpacking, check to see if your M306V2T-RPD-E contains all of these items.

Item	Quantity
M306V2T-RPD-E emulation pod main unit	1
FLX120-RPD flexible cable for connecting PC4701	1
FLX100 flexible cable for connecting pitch converter board (pre-installed in emulation pod)	1
FLX-100LCC pitch converter board for connecting target system	1
OSC-3 (10MHz) oscillator circuit board (pre-installed in emulation pod)	1
OSC-2 (32.768kHz) oscillator circuit board (pre-installed in emulation pod)	1
OSC-2 oscillator circuit board	1
Hardware tool user registration FAX sheet (English)	1
Hardware tool user registration FAX sheet (Japanese)	1
M306V2T-RPD-E user's manual (this manual)	1
M306V2T-RPD-E user's manual (Japanese)	1

Please keep the M306V2T-RPD-E's packing box and cushion material in your place for reuse at a later time when sending your product for repair or other purposes. Always use these packing box and cushion material when transporting this product.

If any of these items are missing or found faulty, please contact your local distributor. Also, if there is any question or doubt about the packaged product, contact your local distributor.

## 2.3 Other Tool Products Required for Development

To bring forward programs development on the M306V2 and M306V5 MCUs, the products listed below are necessary in addition to those contained package above. Get them separately.

Emulator main unit		PC4701	
Emulator debugger		M3T-PD30	
Pitch converter board (Required for M306V5 MCU)		M306V5T-PTC	
Programming adapter	M306V2	100D0	PCA7412L-100 (necessary for OSD ROM)
		100P6S	PCA7412F-100 (necessary for OTP version)
	M306V5		PCA7412L-100 (necessary for OSD ROM)
			PCA7412E4S-64 (necessary for EPROM version or OTP version)

To purchase these products, contact your nearest distributor.

## 2.4 Name of Each Part

### (1) System Configuration

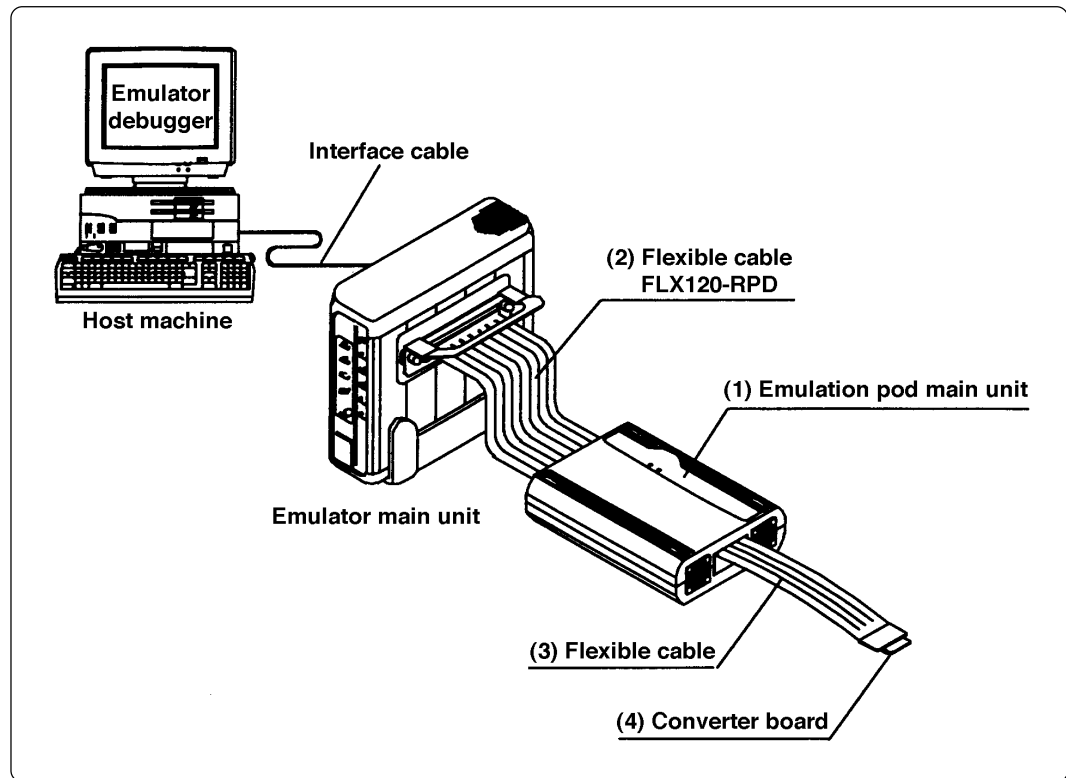


Figure 2.1 System configuration

(1) to (4) in Figure 2.1 are included with this product package.

(1) Emulation pod (M306V2T-RPD-E)

This emulation pod contains an evaluation MCU, emulation memory and circuit to feature the debugging functions.

(2) Flexible cable (FLX120-RPD)

This is a 120-pin flexible cable for connecting the PC4701 emulator and the emulation pod.

(3) Flexible cable (FLX100)

This is a 100-pin flexible cable for connecting the emulation pod and the target system.

(4) Pitch converter board

This is a pitch converter board for connecting to the target system. For details, refer to "3.7 Connecting the Target System" (page 38).

## (2) Inside of Emulation Pod

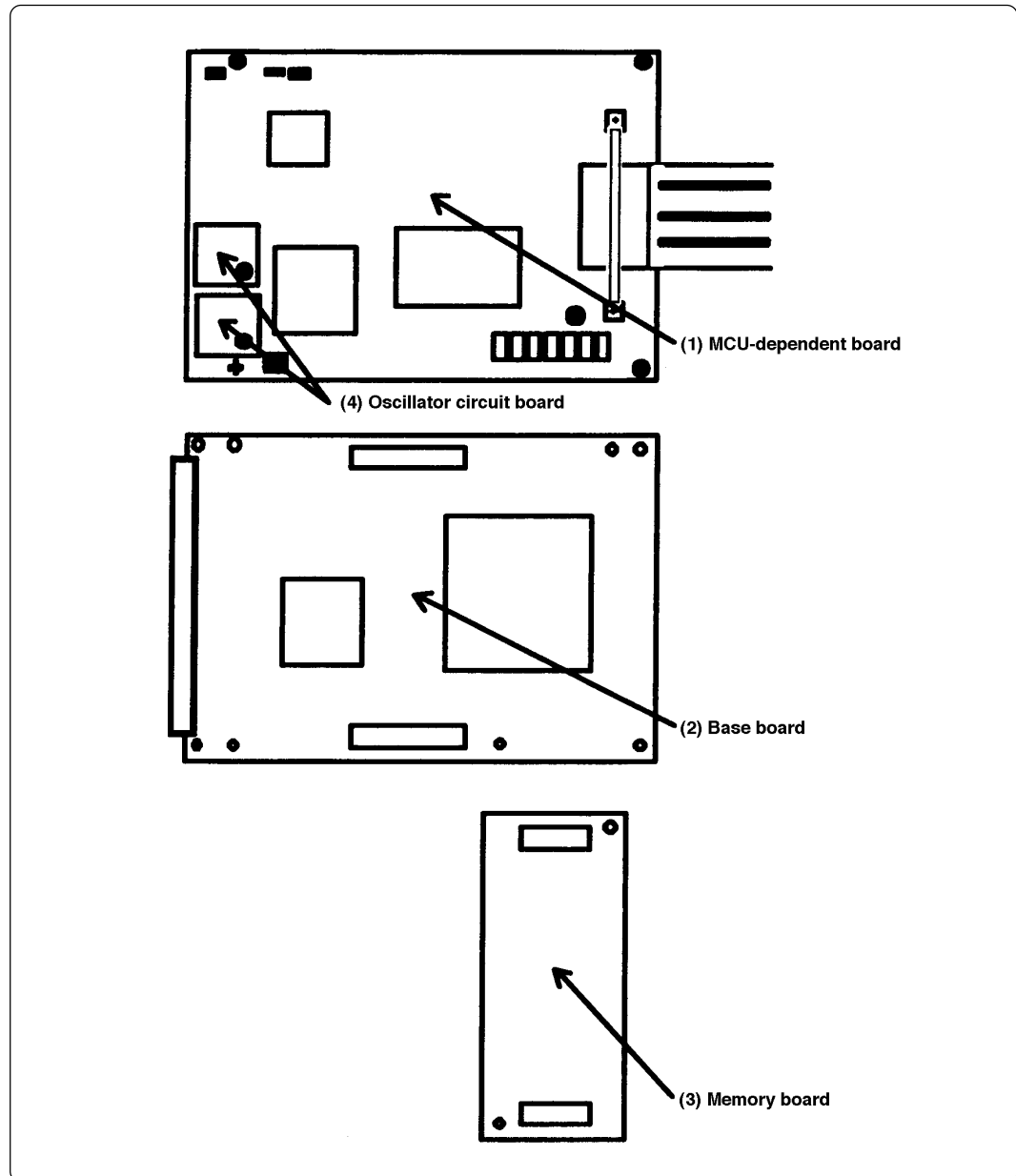


Figure 2.2 Internal view of emulation pod

### (1) MCU-dependent board

Board which groups parts (pins and added functions) which vary according to MCU model.

### (2) Base board

Board for the M16C/60 Series MCUs which controls the interface with the PC4701 and the evaluation MCU.

### (3) Memory board

Board on which is mounted the emulation memory (1MB) and the map memory (4 bits×1M) for the M16C/60 Series MCUs.

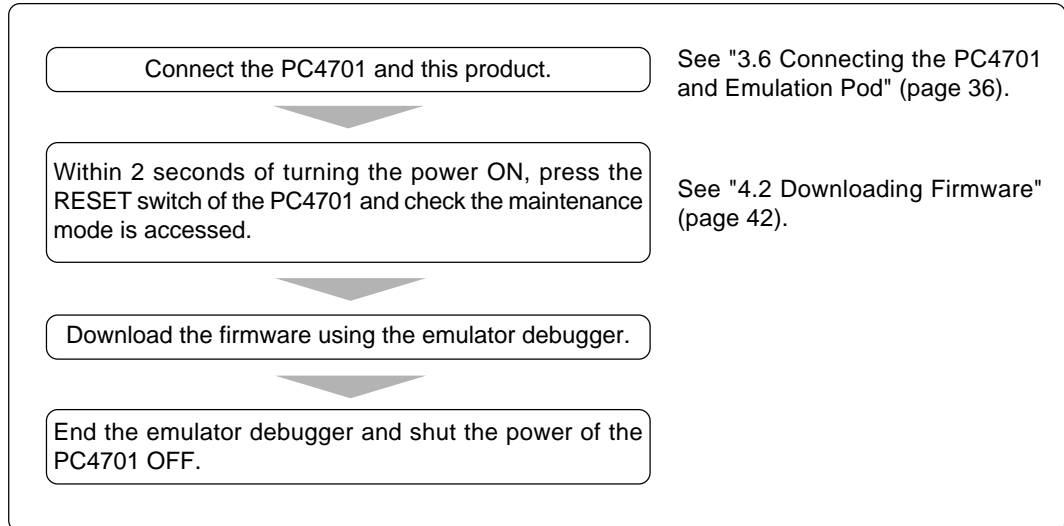
### (4) Oscillation circuit board

Oscillator circuit board on which the 10.000MHz of oscillation module device and 32.768kHz of crystal oscillator are mounted.

## 2.5 When Using the Emulator for the First Time

If you have purchased this emulation pod newly, it is necessary to download the firmware. The download procedure is given in Figure 2.3.

Before attempting to download the firmware, check the emulator debugger is installed and the emulator is connected to the host machine. For more information, see each user's manual of the emulator debugger and the PC4701.



*Figure 2.3 Firmware download procedure when emulator is used for the first time*

To make sure the emulation pod works properly, run the self-checks. For self-check procedures, see "4.3 Self-checks" (page 43).

# Chapter 3. Setting Up

This chapter describes switch settings required for using this product and how to connect this product to the PC4701 and the target system.

3.1 Removing the Upper Cover .....	24
3.2 Switch Settings .....	25
3.3 Selecting Clock Supply .....	29
(1) Using the Oscillator Circuit on the Target System .....	30
(2) Changing the Internal Oscillator Circuit of Emulation Pod .....	31
(3) Replacing the Oscillator Circuit Boards .....	32
3.4 Circuits of Data Slicer I/O Signal and OSD Clock I/O Signal .....	33
3.5 A-D Conversion Bypass Capacitor .....	35
3.6 Connecting the PC4701 and Emulation Pod .....	36
(1) Connecting the Cable to the PC4701 .....	36
(2) Connecting the Cable to the Emulation Pod .....	37
3.7 Connecting the Target System.....	38

## Chapter 3. Setting Up

To use this emulation pod with your target system, it is necessary to set as follows. Set the following after removing the upper cover.

- Set the switches in the emulation pod corresponding to the condition of the target system.
- Change the oscillation frequency of the emulation pod.
- Change the input frequency of the OSD oscillation.
- Change the constant number of the data slicer I/O signal circuit.
- Install the A-D conversion bypass capacitor.

### 3.1 Removing the Upper Cover

The procedure of removing the upper cover is shown below.

- (1) Remove the four screws of both sides of this product and lift off the upper cover. (see Figure 3.1)
- (2) Set the switches following the descriptions below.
- (3) Replace the upper cover and secure the four screws.

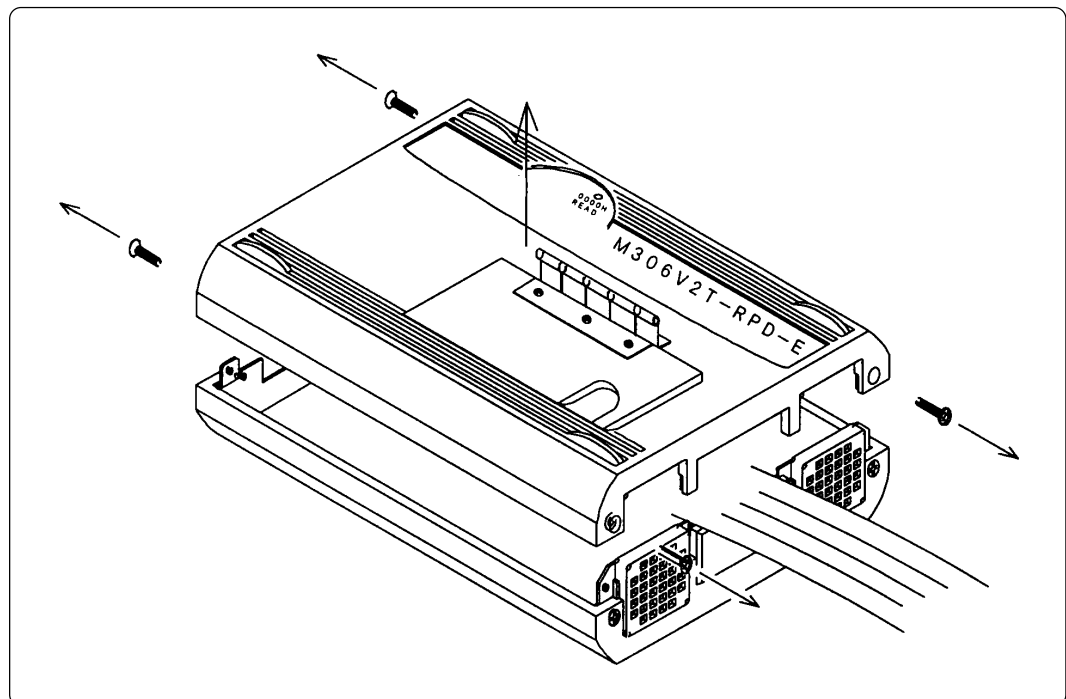


Figure 3.1 Removing the upper cover

### CAUTION

#### Notes on Removing the Upper Cover:

- Always shut OFF power when removing the upper cover or setting the switches.
- Do not touch the connector pins of the emulator main unit and the target MCU connector pins. Static electricity may damage the internal circuits.



### 3.2 Switch Settings

Figure 3.2 shows the positions of switches of the M306V2T-RPD-E. Table 3.1 lists how to set switches.

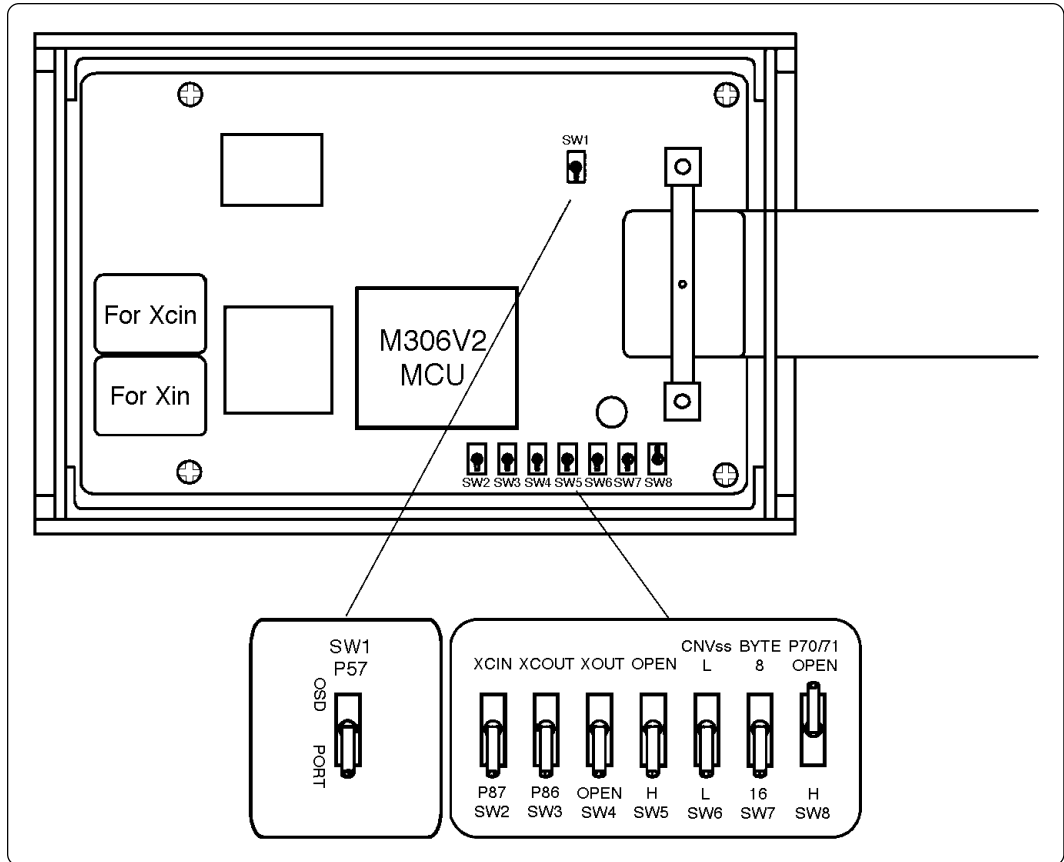


Figure 3.2 Positions of switches and their factory-settings

Table 3.1 Switch settings of M306V2T-RPD-E (part 1)

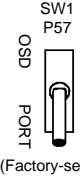
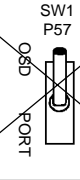

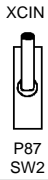



Signal	Switch	Setting	Description
P57/OSD	SW1	 <p>(Factory-setting)</p>	Be sure to use this switch in the factory-setting.
			Can not be used.
P87/XCIN	SW2	 <p>(Factory-setting)</p>	Connects P87/XCIN pin of MCU to the target system. (Uses P87/XCIN pin as port P87.)
			Uses P87/XCIN pin as XCIN.
P86/XCOUT	SW3	 <p>(Factory-setting)</p>	Connects P86/XCOUT pin of MCU to the target system. (Uses P86/XCOUT pin as port P86.)
			Does not connect P86/XCOUT pin of MCU to the target system. (Uses P86/XCOUT pin as XCOUT and opens XCOUT.)
			Connects P86/XCOUT pin of MCU to the target system. (Uses P86/XCOUT pin as XCOUT and connects XCOUT to the target system.)

Table 3.1 Switch settings of M306V2T-RPD-E (part 2)


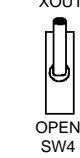
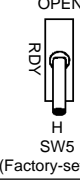
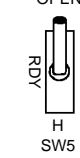
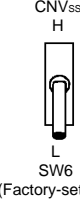

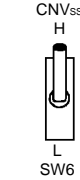





Signal	Switch	Setting	Description
X <sub>OUT</sub>	SW4	 <p>X<sub>OUT</sub> OPEN SW4 (Factory-setting)</p>	Does not connect X <sub>OUT</sub> pin of MCU to the target system.
		 <p>X<sub>OUT</sub> OPEN SW4</p>	Connects X <sub>OUT</sub> pin of MCU to the target system.
HOLD/RDY	SW5	 <p>OPEN RDY HOLD H SW5 (Factory-setting)</p>	Pulls up HOLD/RDY pin of MCU at 33kΩ.
		 <p>OPEN RDY HOLD H SW5</p>	Opens HOLD/RDY pin of MCU.
CNV <sub>SS</sub>	SW6	 <p>CNV<sub>SS</sub> H L SW6 (Factory-setting)</p>	Pulls down CNV <sub>SS</sub> pin of MCU at 33kΩ.
		 <p>CNV<sub>SS</sub> H L SW6</p>	Does not pull down/up CNV <sub>SS</sub> pin of MCU.
		 <p>CNV<sub>SS</sub> H L SW6</p>	Pulls up CNV <sub>SS</sub> pin of MCU at 33kΩ.

Table 3.1 Switch settings of M306V2T-RPD-E (part 3)

Signal	Switch	Setting	Description
BYTE	SW7	BYTE 8  16 SW7 (Factory-setting)	Pulls down BYTE pin of MCU at 33kΩ.
		BYTE 8  16 SW7	Does not pull down/up BYTE pin of MCU.
		BYTE 8  16 SW7	Pulls up BYTE pin of MCU at 33kΩ.
P7 <sub>0</sub> /P7 <sub>1</sub>	SW8	P70/71 OPEN  H SW8 (Factory-setting)	Does not pull up P7 <sub>0</sub> and P7 <sub>1</sub> .
		P70/71 OPEN  H SW8	Pulls up P7 <sub>0</sub> and P7 <sub>1</sub> at 470Ω.

### 3.3 Selecting Clock Supply

There are two ways to supply a clock to the MCU, using the oscillator circuit of the emulation pod or using the oscillator circuit on the target system. Table 3.2 lists the factory-settings of each clock supply.

Table 3.2 Clock supply to the MCU

Clock	Description	Display of emulator debugger	Default setting
X <sub>IN</sub> -X <sub>OUT</sub>	Internal oscillator circuit of emulation pod (OSC-3: 10MHz)	Internal	0
	Target System	External	-
X <sub>CIN</sub> -X <sub>COU</sub>	Internal oscillator circuit of emulation pod (OSC-2: 32.768kHz)	Internal	0
	Target System	External	-

## IMPORTANT

### Notes on Changing the Clock Supply:

- The clock supply can be set by the Init dialog when starting up the emulator debugger or inputting CLK command on the script window.
- For X<sub>CIN</sub>-X<sub>COU</sub> pins, it is necessary to set switches in the emulation pod. For details, refer to "3.2 Switch Settings" (page 25).

### (1) Using the Oscillator Circuit on the Target System

When turning on the power, the internal clock of emulation pod is selected to supply the clock to the MCU. To use the external clock on the target system, change the clock by the Init dialog when starting up the emulator debugger or the CLK command on the script window. (For details, refer to the user's manual of the emulator debugger.)

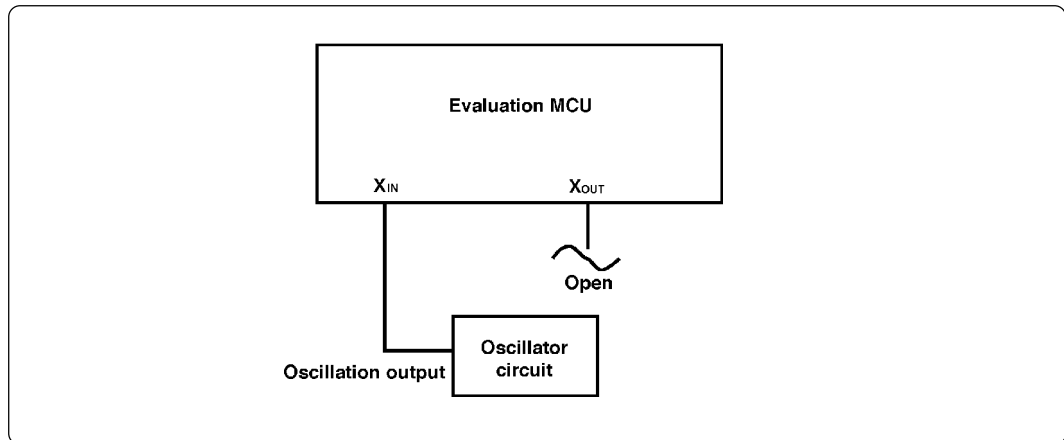


Figure 3.3 External oscillator circuit

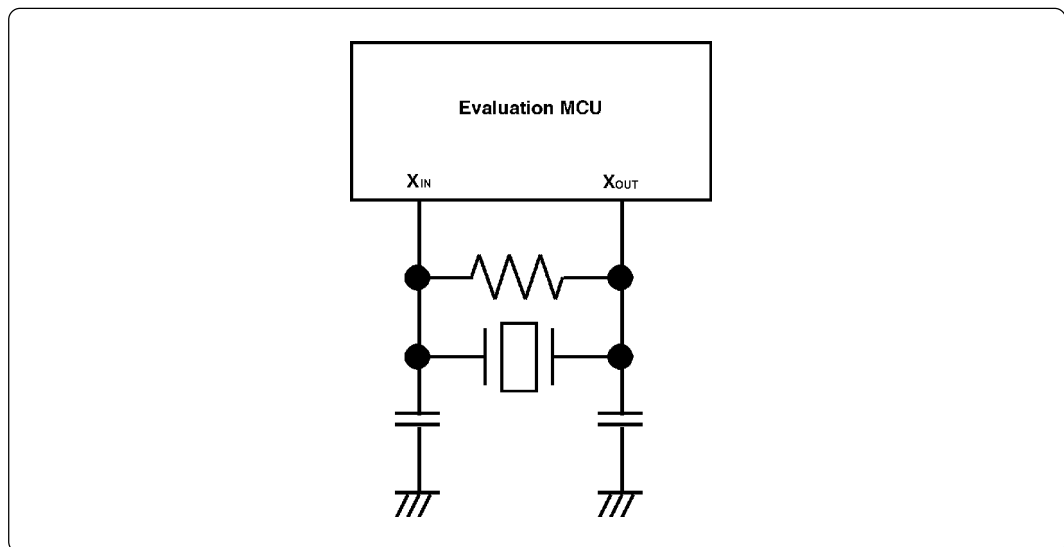


Figure 3.4 Circuit in which oscillation does not occur (same for  $X_{CIN}$ - $X_{COUT}$ )

## IMPORTANT

### Notes on Using the Oscillator Circuit on the Target System:

- To operate the emulation pod with an external clock, construct the oscillator circuit as shown in Figure 3.3 in the target system and input the oscillator output at 50% duty (within the operating range of the evaluation MCU) into the  $X_{IN}$  pin. And the  $X_{OUT}$  pin should be open.
- Make note of the fact that in the oscillator circuit shown in Figure 3.4 where a resonator is connected between the  $X_{IN}$  and  $X_{OUT}$  pins, oscillation does not occur because a flexible cable, pitch converter board and other devices are used between the evaluation MCU and the target system. It is same for sub-clock oscillator circuits ( $X_{CIN}$  and  $X_{COUT}$ ).

## (2) Changing the Internal Oscillator Circuit of Emulation Pod

An oscillator circuit board for 10MHz is mounted on this product. To use the emulation pod at a frequency other than 10MHz, build the desired oscillator circuit on the included OSC-2 oscillator circuit board (bare board) and replace the board installed in the emulation pod when shipped from the factory.

Figure 3.5 shows a view of the OSC-2 oscillator circuit board (bare board) and where connector pins are located. Figure 3.6 shows the circuitry of the OSC-2 oscillator circuit board (bare board). Use the number of oscillator circuits recommended by the oscillator manufacturer.

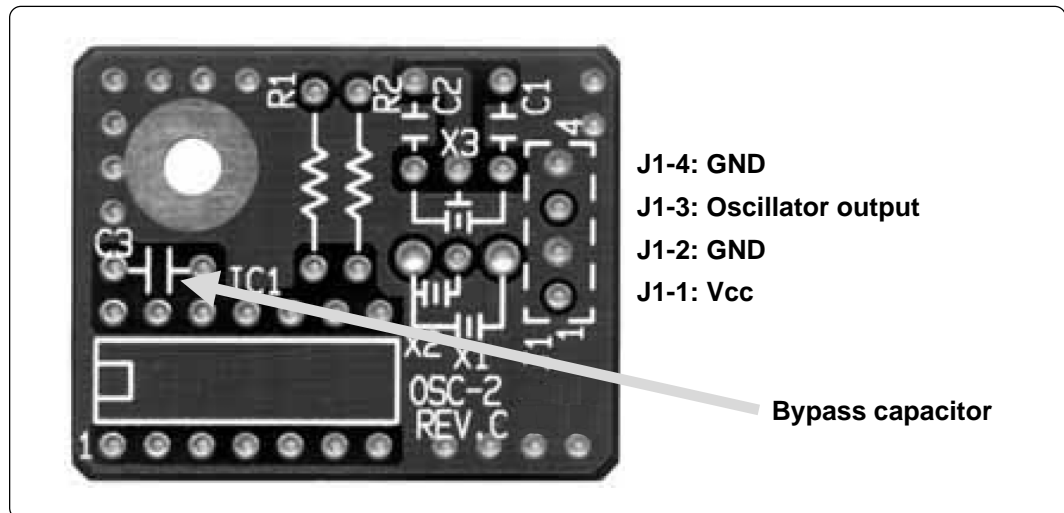


Figure 3.5 External view of oscillator board (OSC-2) and connector pin assignment

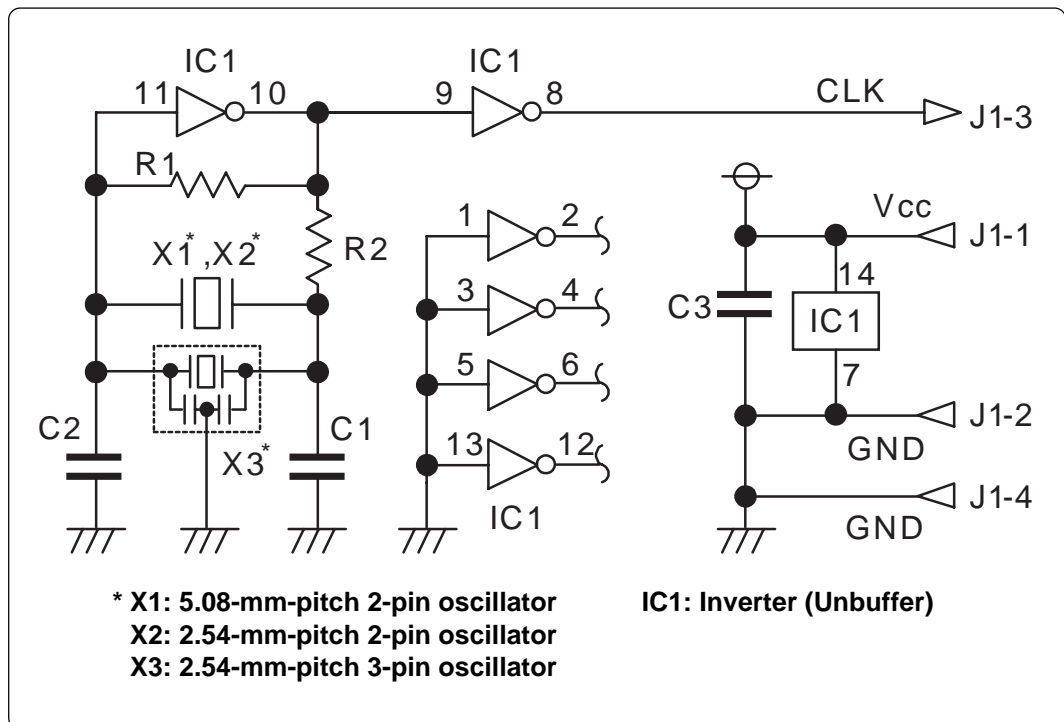


Figure 3.6 Circuit of oscillator board (OSC-2)

### (3) Replacing the Oscillator Circuit Boards

Figure 3.7 shows how to replace the oscillator circuit boards. For the position of the oscillator circuit board, see Figure 2.2.

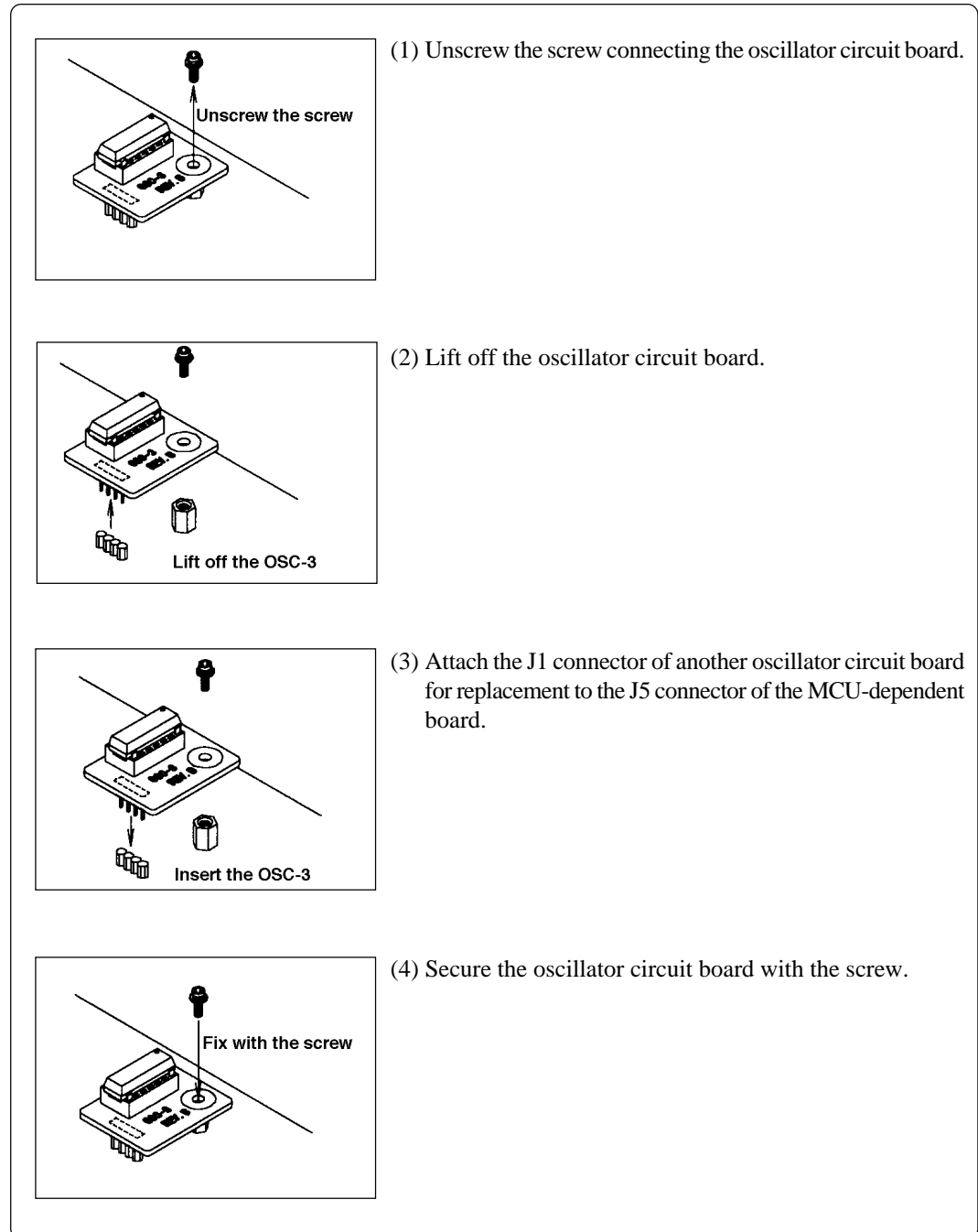


Figure 3.7 Replacing the oscillator circuit boards



### 3.4 Circuits of Data Slicer I/O Signal and OSD Clock I/O Signal

With this product, the parts used for the data slicer and OSD clock circuit are attached by sockets for replacement. Figure 3.8 shows the position of each part used for the data slicer and OSD clock circuits, and Figures 3.9 to 3.12 show the circuit diagram and the constants of board-mounted parts.

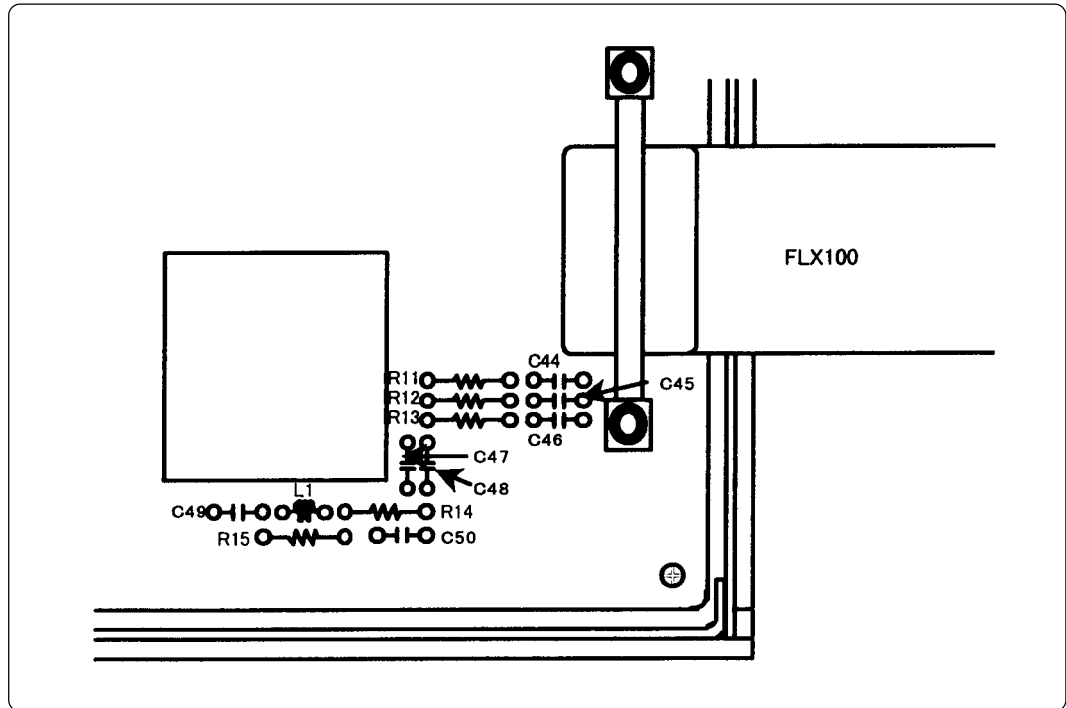


Figure 3.8 Position of each part

(1) Figure 3.9 shows the numbers of parts which are connected to the CVIN pin, the constants of parts and the connection circuits.

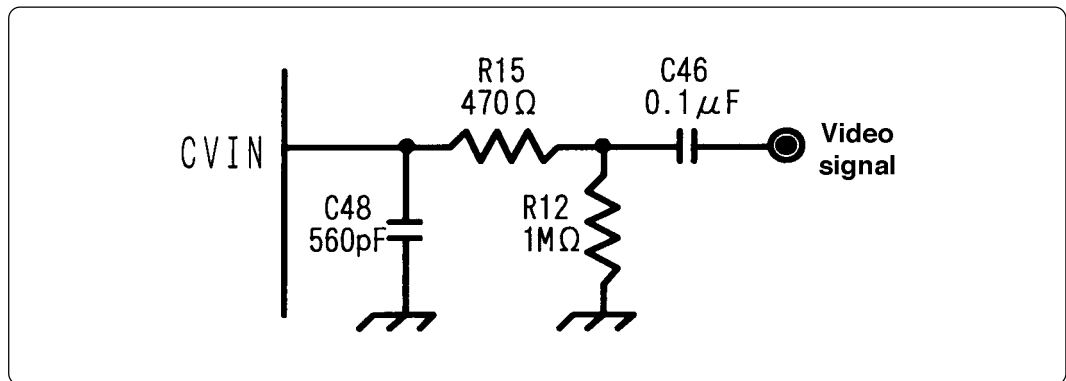


Figure 3.9 Signal circuits of CVIN pin

(2) Figure 3.10 shows the numbers of parts which are connected to HLF pin, the constants of parts and the connection circuits.

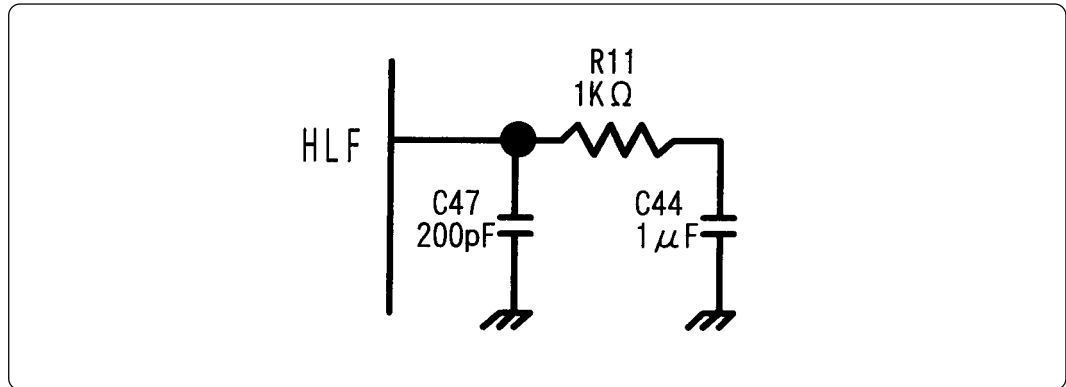


Figure 3.10 Signal circuits of HLF pin

(3) Figure 3.11 shows the number of part which is connected to VHOLD pin, the constant of part and the connection circuit.

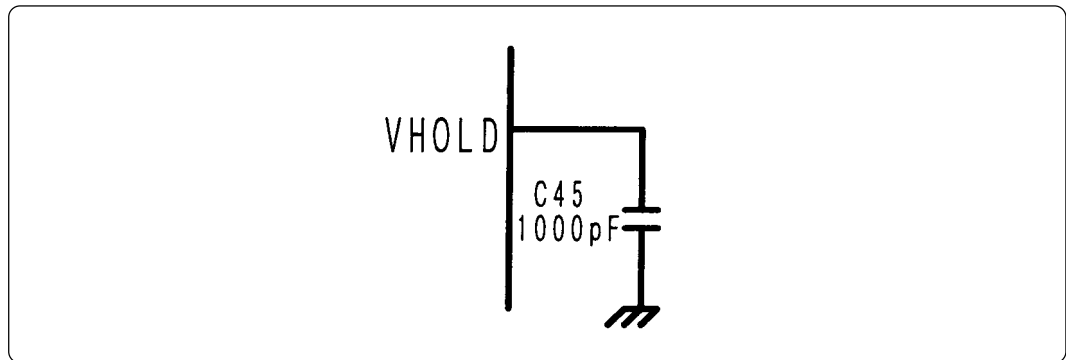


Figure 3.11 Signal circuit of VHOLD pin

(4) Figure 3.12 shows the numbers of parts which are connected to OSC1 and OSC2 pins, the constants of parts and the connection circuits.

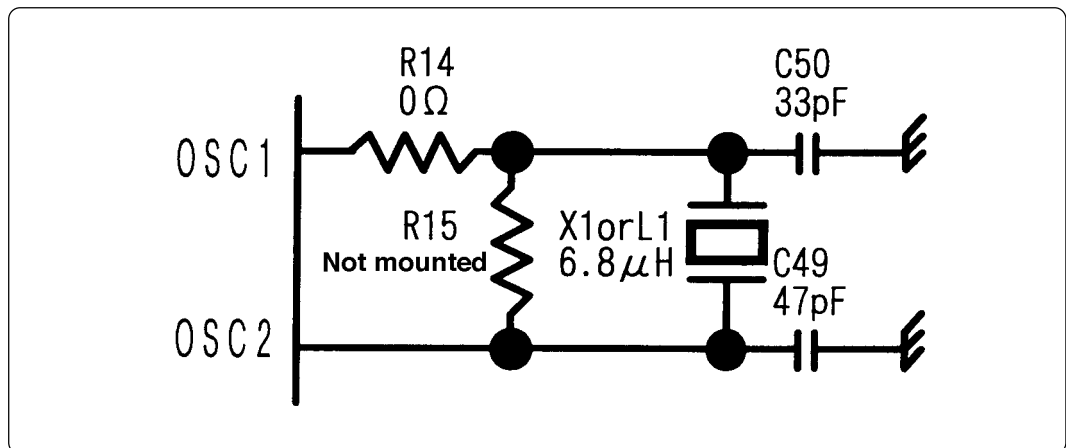


Figure 3.12 Signal circuits of OSC1 and OSC2 pins

### 3.5 A-D Conversion Bypass Capacitor

Figure 3.13 shows the foot pattern of the A-D conversion bypass capacitor. The emulation pod has foot patterns between  $AV_{CC}$  and  $AV_{SS}$  (C54) on the reverse side of the M306V0T-PRT for mounting a bypass capacitor. Mount a suitable bypass capacitor as occasion demands.

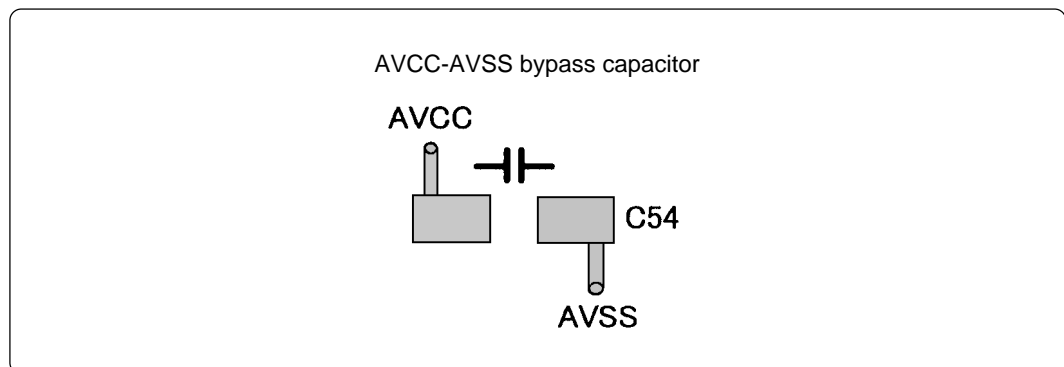


Figure 3.13 Foot patterns of A-D conversion bypass capacitor

## IMPORTANT

### Note on the A-D Converter:

- Because a flexible board and other devices are used between the emulator MCU and the target system, the A-D converter operates differently from the actual MCU. Make the final evaluation of the A-D converter using the actual MCU.

### 3.6 Connecting the PC4701 and Emulation Pod

To connect the emulation pod to the PC4701, use the FLX120-RPD 120-pin flexible cable included in this product package. Connect the PC4701 side connector of FLX120-RPD to the cable connector of the PC4701, then secure the FLX120-RPD with the screws.

#### (1) Connecting the Cable to the PC4701

Figure 3.14 shows how to connect the PC4701 and FLX120-RPD.

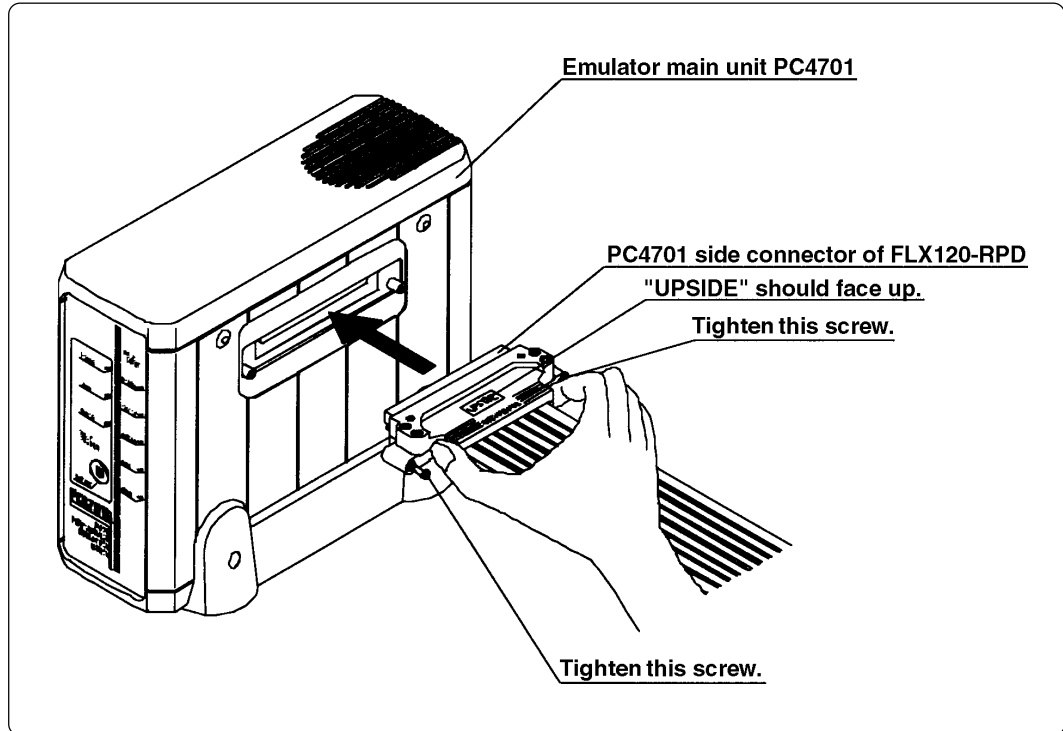


Figure 3.14 Connecting PC4701 and FLX120-RPD

## CAUTION

### Note on Connecting the Cable:

- Always shut OFF power before connecting the cable. The power ON state could destroy internal circuits.

### Note on Tightening the Screws:

- After connecting the cable to the emulator main unit PC4701, be sure to tighten the screws mounted in both sides of the connector.

## (2) Connecting the Cable to the Emulation Pod

Figure 3.15 shows how to connect the FLX120-RPD and the emulation pod.

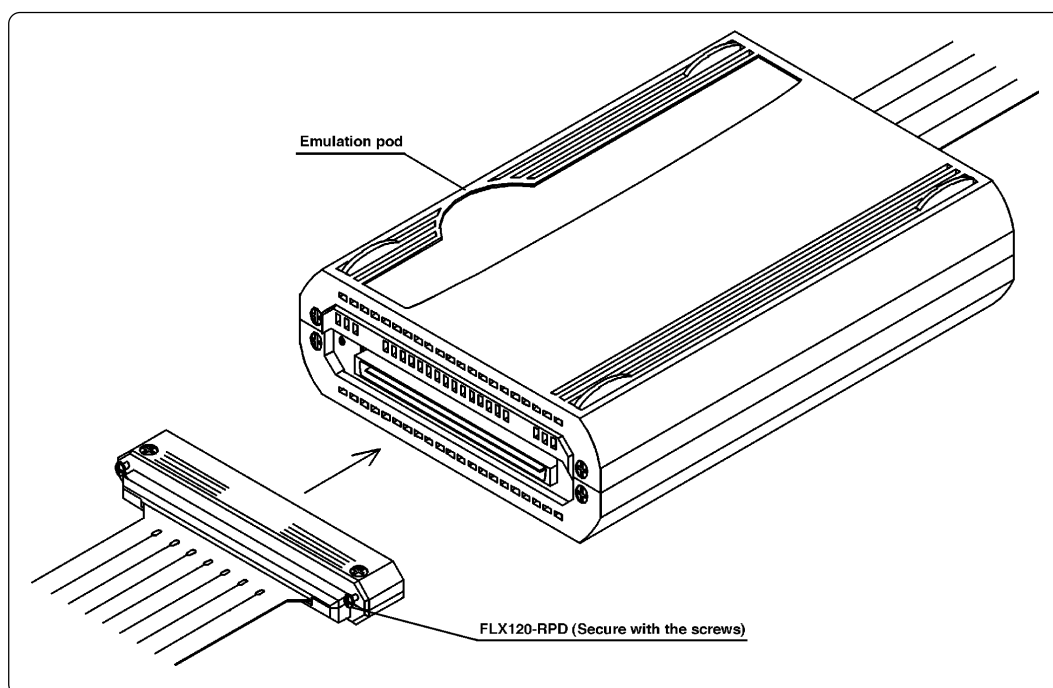


Figure 3.15 Connecting FLX120-RPD and emulation pod

### CAUTION

#### Note on Connecting the Cable:

- Always shut OFF power before connecting the cable. The power ON state could destroy internal circuits.

#### Note on Tightening the Screws:

- After connecting the cable to the emulation pod, be sure to tighten the screws.

### 3.7 Connecting the Target System

There are five ways available to connect the emulation pod to target systems as shown in Figure 3.16.

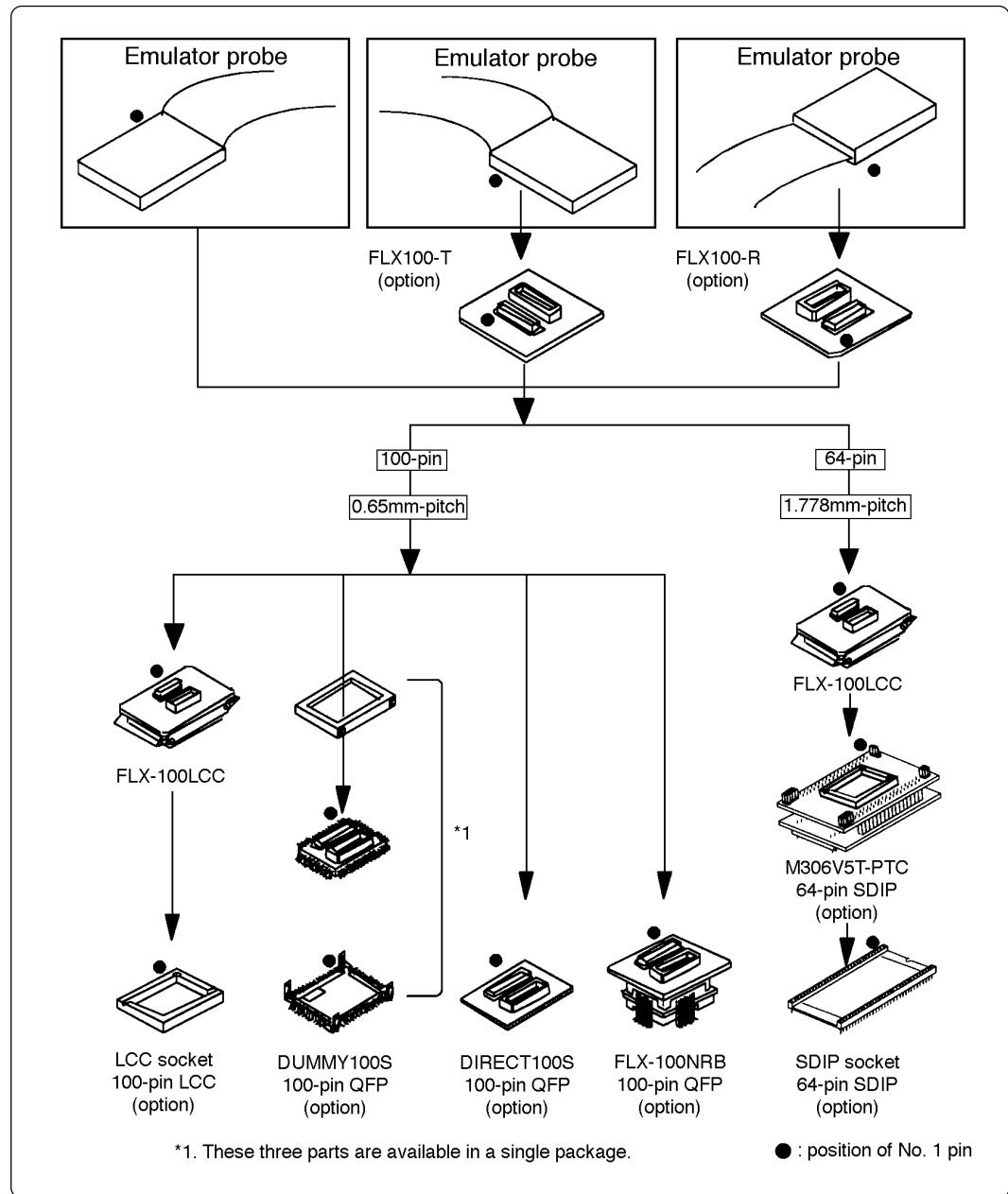


Figure 3.16 Connecting emulation pod and target systems

## CAUTION

### Notes on Connecting Target Systems:

- Take care not to attach the converter board in a wrong direction. It may cause a fatal damage to the emulation pod.
- The small connectors of FLX100 and FLX-100LCC are guaranteed for only 20 insertion/removal iterations.

# Chapter 4. Usage

This chapter describes from turning on the power of this product to starting up the emulator debugger.

4.1	Turning On the Power .....	40
	(1) Checking the Connection of Emulator System .....	40
	(2) Turning On the Power .....	40
	(3) LED Display When PC4701 Starts Up Normally .....	41
4.2	Downloading Firmware .....	42
	(1) When It is Necessary to Download Firmware .....	42
	(2) Downloading Firmware in Maintenance Mode .....	42
4.3	Self-checks .....	43
	(1) Self-check Procedure .....	43
	(2) If an Error is Detected in Self-checks .....	43

# Chapter 4. Usage

## 4.1 Turning On the Power

### (1) Checking the Connection of Emulator System

Before turning the power ON, check the connection of the PC4701, emulation pod, converter board and target system.

### (2) Turning On the Power

Power ON/OFF the target system and the PC4701 as simultaneously as possible.



#### Notes on Power Supply:

- The emulator's  $V_{CC}$  pin is connected to the target system in order to monitor target system voltage. For this reason, the emulator cannot supply power to the target system. Therefore, provide the target system with a separate power supply from that of the emulator.
- Keep target system power supply voltage within the MCU's specified range.
- Do not change target system power supply voltage after power has been activated.



### (3) LED Display When PC4701 Starts Up Normally

After the emulator starts up, check the status of the LEDs on the front panel to see whether emulation pod operation is enabled or not. Figure 4.1 shows front panel LED lighting status when the emulator is turned ON.

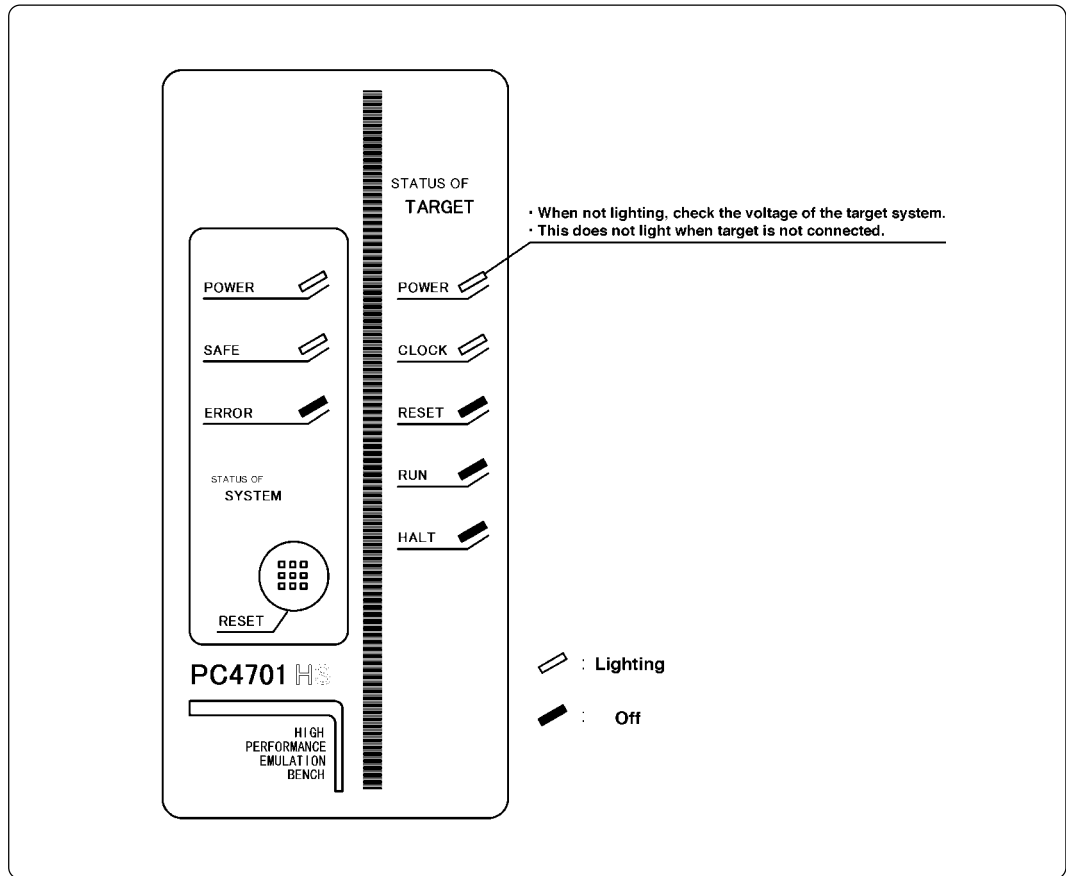


Figure 4.1 LED display when PC4701 turned on

## 4.2 Downloading Firmware

### (1) When It is Necessary to Download Firmware

It is necessary to download firmware when;

- (1) you use this product for the first time.
- (2) the firmware has been upgraded.
- (3) the emulator debugger has been upgraded.
- (4) you use this product with a PC4701 which was used with other emulation pod before.

### (2) Downloading Firmware in Maintenance Mode

Download the firmware in the maintenance mode as explained here following. The target system must not be connected when downloading the firmware.

- (1) Within 2 seconds of activating power to the emulator, press the RESET switch on the emulator front panel. This will switch the emulator to the maintenance mode.
- (2) Start up the emulator debugger. When the Init dialog box setup is complete, the dialog which urges to download the firmware will appear. Download the firmware following messages. Required time for downloading the firmware depends on the connection of the interface.
  - For the serial interface ..... approx. 7 minutes
  - For the parallel interface ..... approx. 30 seconds

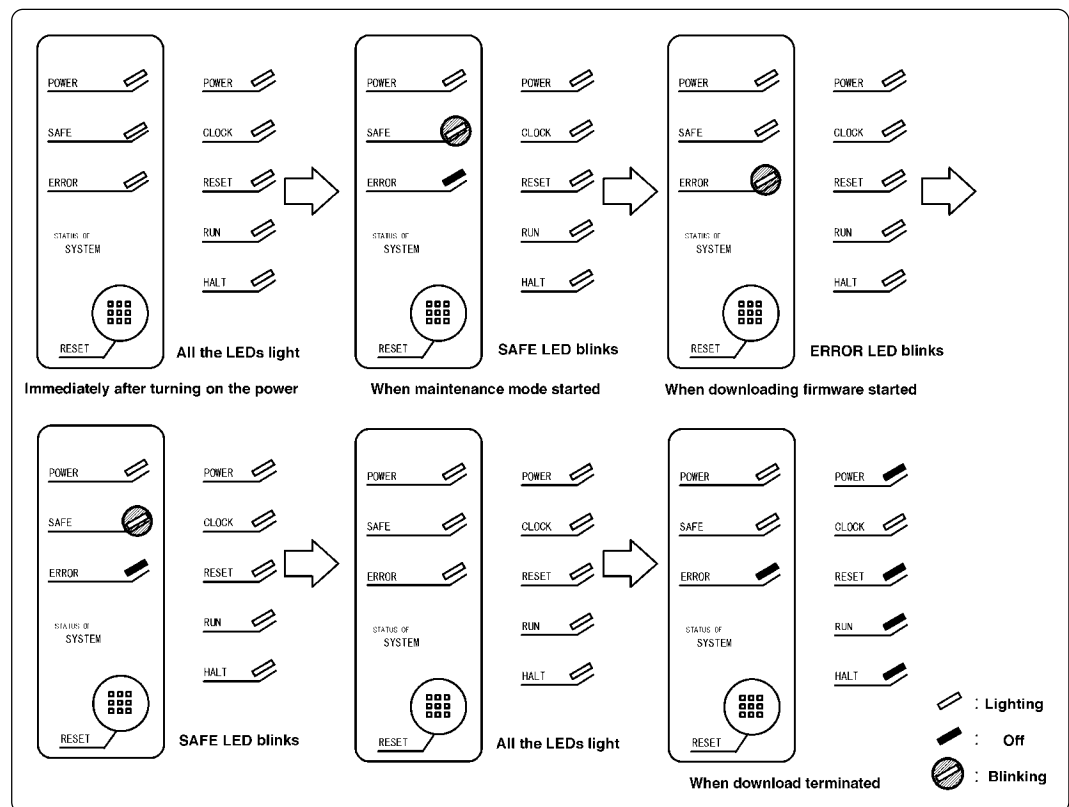


Figure 4.2 Downloading firmware in maintenance mode

## ! CAUTION

### Note on Downloading Firmware:

- Do not shut OFF power while the firmware is being downloaded. Doing so, the emulator will not start up properly. If power is shut OFF by mistake, redownload the firmware in the maintenance mode.

## 4.3 Self-checks

### (1) Self-check Procedure

To run the emulator self-checks, do so as explained here below. While self-checks are in progress, LEDs will change as shown in Figure 4.4.

- (1) Set the switches in the emulation pod same as the factory setting (see Figure 4.3).
- (2) When the target system is connected, disconnect it.
- (3) Within 2 seconds of activating power to the emulator, press the RESET switch on the emulator front panel to switch the emulator to the maintenance mode.
- (4) Check the "SAFE" LED starts blinking and then press the RESET switch again.
- (5) The self-checks will start. If the normal result is displayed in about 2 minutes, self-checks terminated normally.

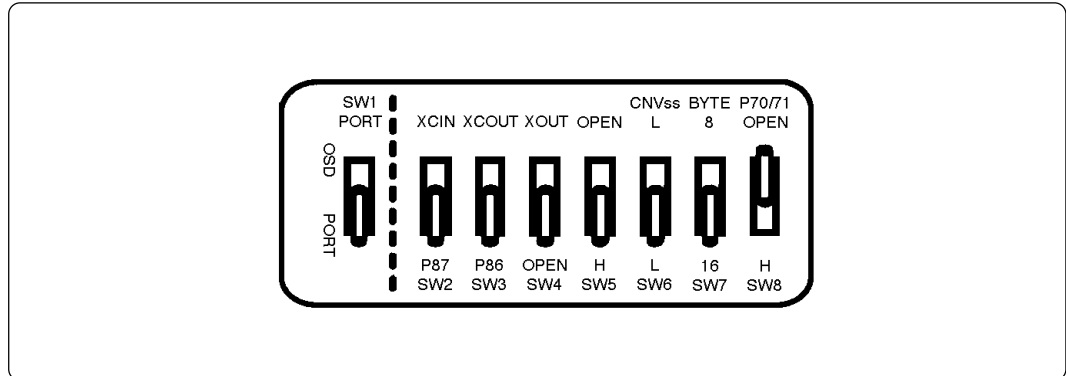


Figure 4.3 Switch settings when running self-checks (factory-settings)

### (2) If an Error is Detected in Self-checks

If self-checks do not result normally (ERROR 1 and ERROR 2 in Figure 4.4), check the following.

- Check the connection of the emulation pod and the PC4701.
- Download the proper firmware.
- Check if the switches in this product are set same as the factory-settings (Figure 4.3).

## CAUTION

### Note on Self-checks:

- If self-checks do not result normally (excluding target system errors), the emulation pod may be damaged. Then contact your local distributor.

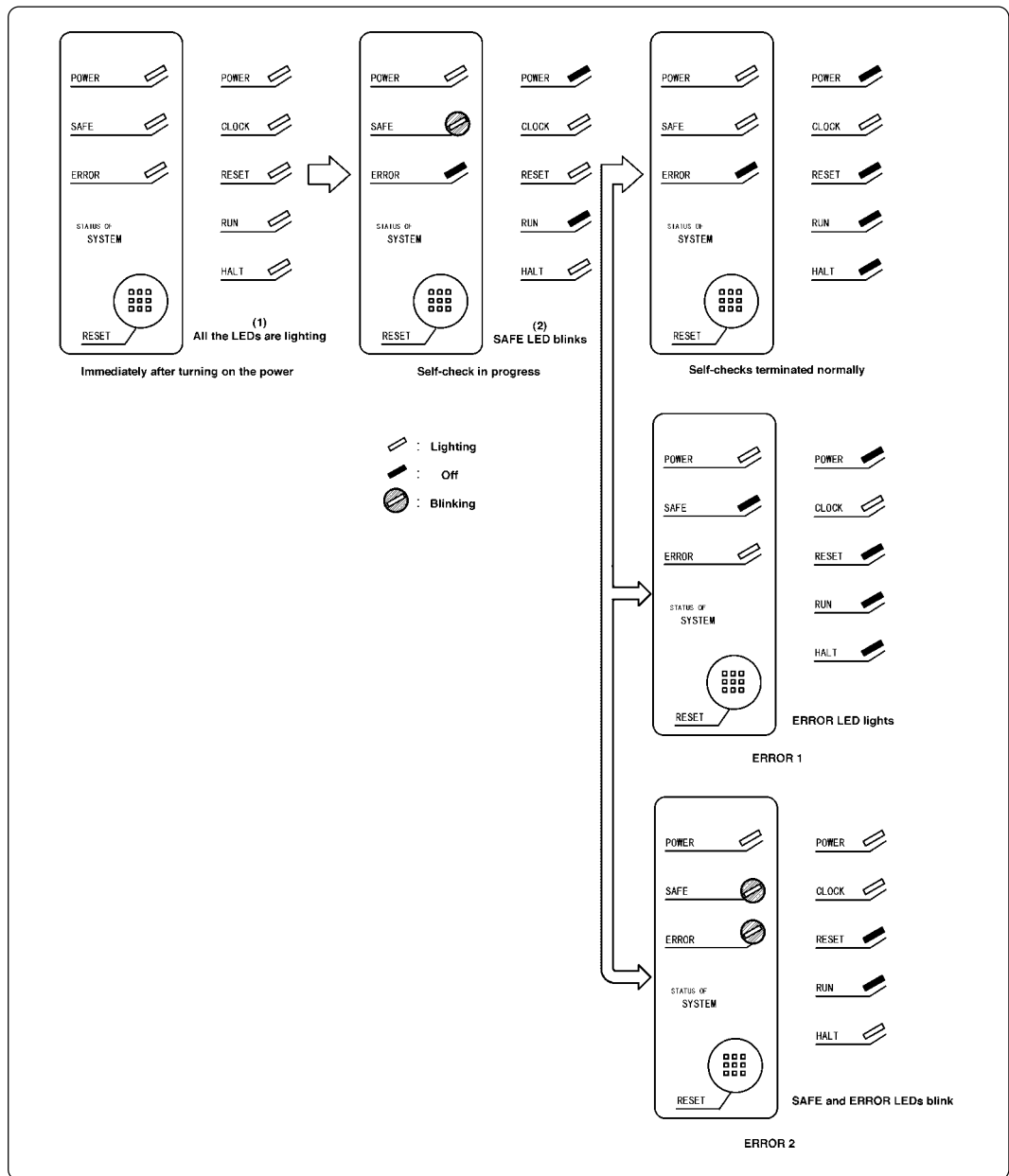


Figure 4.4 Self-check procedure

# Chapter 5. Specifications

This chapter describes specifications of this product.

5.1 Specifications .....	46
5.2 Operation Timing in Memory Expansion and Microprocessor Modes (5V) .....	47
(1) Separate Bus, No-Wait .....	47
(2) Separate Bus, With Wait, Accessing External Memory Area .....	49
(3) Multiplex Bus, With Wait, Accessing External Memory Area .....	51
(4) Timing Requirements .....	53
5.3 Electrical Characteristics .....	55
5.4 Connection Diagram .....	56
5.5 External Dimensions .....	58
(1) External Dimensions of Emulation Pod .....	58
(2) External Dimensions of Pitch Converter Board (FLX-100LCC) .....	59

# Chapter 5. Specifications

## 5.1 Specifications

Table 5.1 lists the specifications of M306V2T-RPD-E.

*Table 5.1 Specifications of M306V2T-RPD-E*

Emulators	PC4701	
Applicable MCUs	M306V2 and M306V5 MCUs	
Evaluation MCU	M306V2EEFP and M306V2EEFS	
Usable modes	Single-chip mode Memory expansion mode Microprocessor mode	
Emulation memory	1MB	
Maximum operating frequency	10MHz	
Clock supply	X <sub>IN</sub> -X <sub>OUT</sub>	Internal oscillator circuit board (OSC-3) Switchable to external oscillator input.
	X <sub>CIN</sub> -X <sub>COU</sub> T	Internal oscillator circuit board (OSC-2) Switchable to external oscillator input.
Operating voltage	4.5 to 5.5V	
Operating temperature	5 to 35°C (no dew)	
Storage temperature	-10 to 60°C (no dew)	
Power supply to emulation pod	Supplied from PC4701	
Connection to target system	See "3.7 Connecting the Target System" (page 38).	
Overseas standards	<ul style="list-style-type: none"> <li>• U.S. EMI standards (FCC part 15 Class A)</li> <li>• CE marking (EN55022, EN50082-1)</li> </ul>	

## 5.2 Operation Timing in Memory Expansion and Microprocessor Modes (5V)

### (1) Separate Bus, No-Wait

Table 5.2 and Figure 5.1 show the bus timing in the memory expansion mode and the microprocessor mode (separate bus, no-wait).

Table 5.2 Memory expansion mode and microprocessor mode (separate bus, no-wait)

Symbol	Item	Actual MCU [ns]		This product [ns]	
		Min.	Max.	Min.	Max.
Td (BCLK-AD)	Address output delay time		25		52
Th (BCLK-AD)	Address output hold time (BCLK standard)	4		See left	
Th (RD-AD)	Address output hold time (RD standard)	0		See left	
Th (WR-AD)	Address output hold time (WR standard)	0		See left	
Td (BCLK-CS)	Chip-select output delay time		25		34
Th (BCLK-CS)	Chip-select output hold time (BCLK standard)	4		See left	
Td (BCLK-ALE)	ALE signal output delay time		25		See left
Th (BCLK-ALE)	ALE signal output hold time	-4		See left	
Td (BCLK-RD)	RD signal output delay time		25		32
Th (BCLK-RD)	RD signal output hold time	0		See left	
Td (BCLK-WR)	WR signal output delay time		25		32
Th (BCLK-WR)	WR signal output hold time	0		See left	
Td (BCLK-DB)	Data output delay time (BCLK standard)		40		57
Th (BCLK-DB)	Data output hold time (BCLK standard)	4		See left	
Td (DB-WR)	Data output delay time (WR standard)	(*1)		(*2)	
Th (WR-DB)	Data output hold time (WR standard)	0		See left	

\*1 Calculated by the following formula according to the frequency of BCLK.

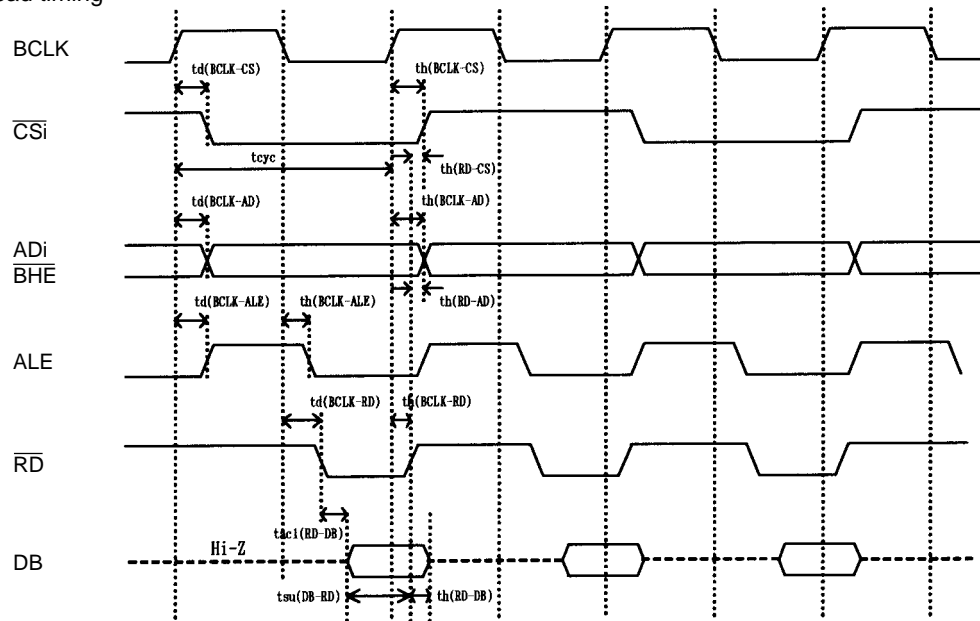
$$T_d(\text{DB-WR}) = \frac{10^9}{f(\text{BCLK}) \times 2} - 40 \text{ [ns]}$$

\*2 Calculated by the following formula according to the frequency of BCLK.

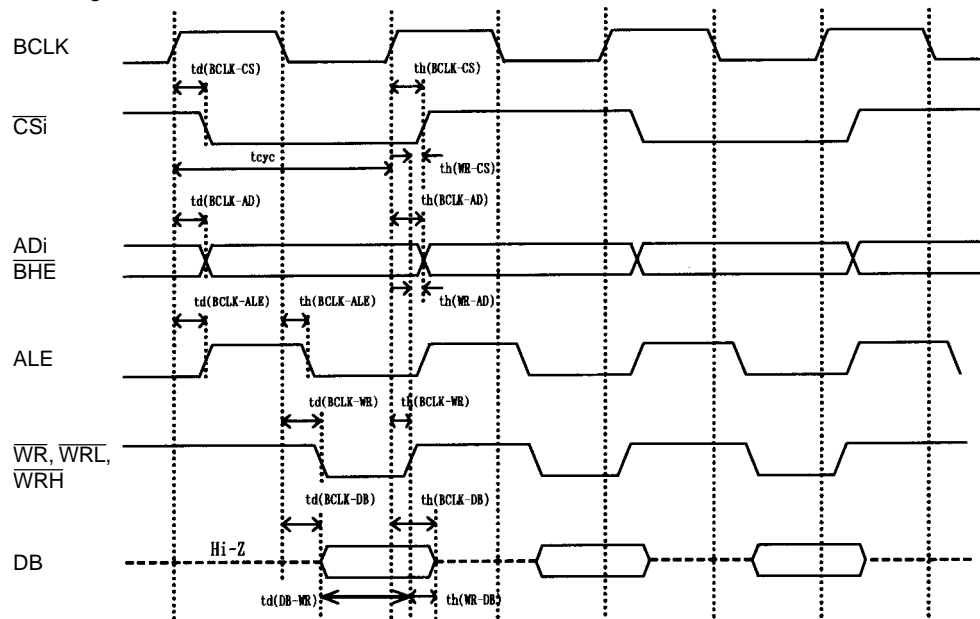
$$T_d(\text{DB-WR}) = \frac{10^9}{f(\text{BCLK}) \times 2} - 42 \text{ [ns]}$$

Memory expansion mode and microprocessor mode (no-wait)

Read timing



Write timing



Conditions:

- $V_{\text{CC}}=5\text{V}$
- Input timing voltage:  $V_{\text{IL}}=0.8\text{V}$ ,  $V_{\text{IH}}=2.5\text{V}$
- Output timing voltage:  $V_{\text{OL}}=0.8\text{V}$ ,  $V_{\text{OH}}=2.0\text{V}$

Figure 5.1 Memory expansion mode and microprocessor mode (no-wait)



## (2) Separate Bus, With Wait, Accessing External Memory Area

Table 5.3 and Figure 5.2 show the bus timing in the memory expansion mode and the microprocessor mode (with wait, accessing external memory area).

Table 5.3 Memory expansion mode and microprocessor mode (with wait, external memory area)

Symbol	Item	Actual MCU [ns]		This product [ns]	
		Min.	Max.	Min.	Max.
Td (BCLK-AD)	Address output delay time		25		52
Th (BCLK-AD)	Address output hold time (BCLK standard)	4		See left	
Th (RD-AD)	Address output hold time (RD standard)	0		See left	
Th (WR-AD)	Address output hold time (WR standard)	0		See left	
Td (BCLK-CS)	Chip-select output delay time		25		34
Th (BCLK-CS)	Chip-select output hold time (BCLK standard)	4		See left	
Td (BCLK-ALE)	ALE signal output delay time		25		See left
Th (BCLK-ALE)	ALE signal output hold time	-4		See left	
Td (BCLK-RD)	RD signal output delay time		25		32
Th (BCLK-RD)	RD signal output hold time	0		See left	
Td (BCLK-WR)	WR signal output delay time		25		32
Th (BCLK-WR)	WR signal output hold time	0		See left	
Td (BCLK-DB)	Data output delay time (BCLK standard)		40		57
Th (BCLK-DB)	Data output hold time (BCLK standard)	4		See left	
Td (DB-WR)	Data output delay time (WR standard)	(*1)		(*2)	
Th (WR-DB)	Data output hold time (WR standard)	0		See left	

\*1 Calculated by the following formula according to the frequency of BCLK.

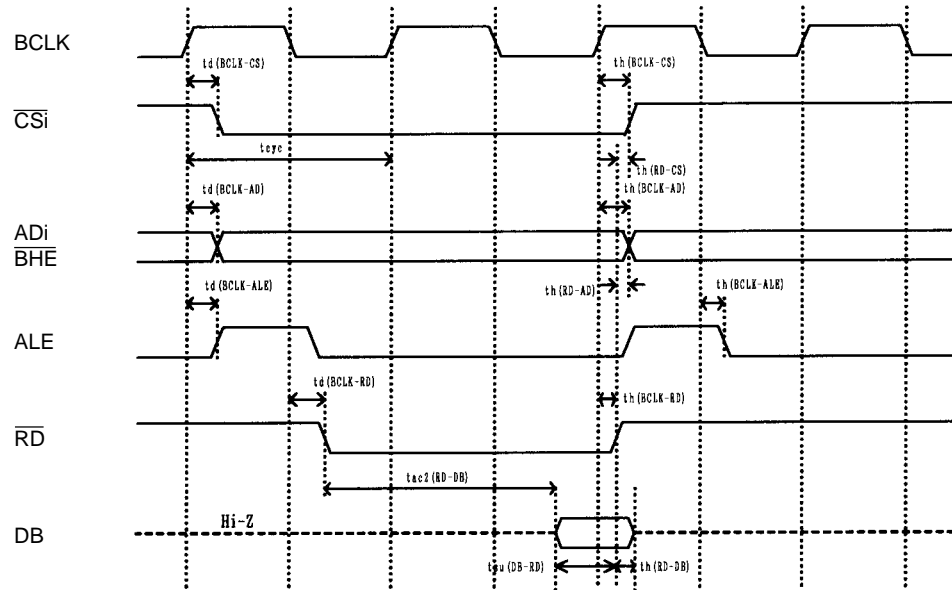
$$T_d(\text{DB-WR}) = \frac{10^9}{f(\text{BCLK})} - 40 \text{ [ns]}$$

\*2 Calculated by the following formula according to the frequency of BCLK.

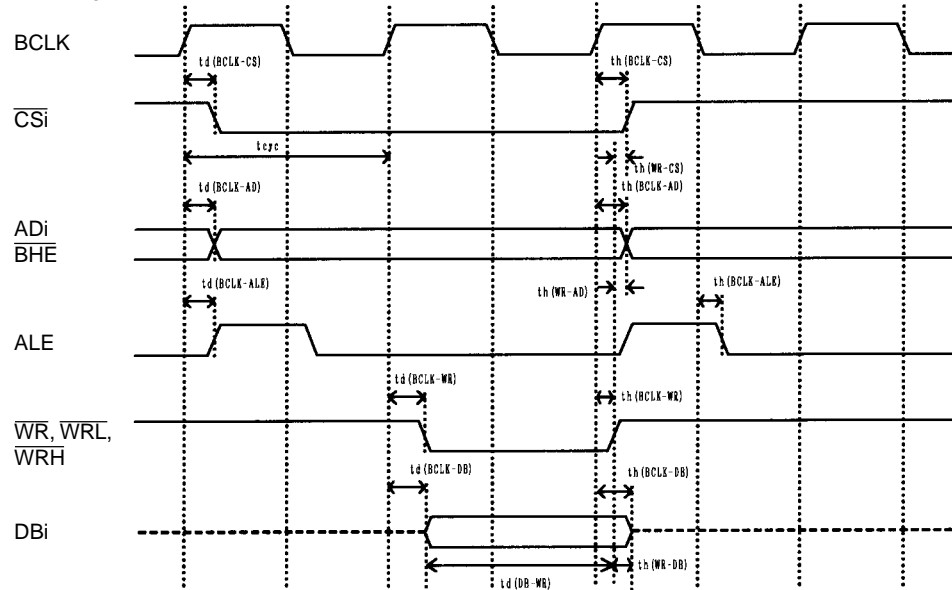
$$T_d(\text{DB-WR}) = \frac{10^9}{f(\text{BCLK})} - 42 \text{ [ns]}$$

Memory expansion mode and microprocessor mode  
(with wait, accessing external memory area)

Read timing



Write timing



Conditions:

- $V_{\text{CC}}=5\text{V}$
- Input timing voltage:  $V_{\text{IL}}=0.8\text{V}$ ,  $V_{\text{IH}}=2.5\text{V}$
- Output timing voltage:  $V_{\text{OL}}=0.8\text{V}$ ,  $V_{\text{OH}}=2.0\text{V}$

Figure 5.2 Memory expansion mode and microprocessor mode (with wait)

### (3) Multiplex Bus, With Wait, Accessing External Memory Area

Table 5.4 and Figure 5.3 show the bus timing in the memory expansion mode and the microprocessor mode (with wait, accessing external memory area and using multiplex bus).

Table 5.4 Memory expansion mode and microprocessor mode (with wait, multiplex bus)

Symbol	Item	Actual MCU [ns]		This product [ns]	
		Min.	Max.	Min.	Max.
Td (BCLK-AD)	Address output delay time		25		52
Th (BCLK-AD)	Address output hold time (BCLK standard)	4		See left	
Th (RD-AD)	Address output hold time (RD standard)	(*1)		(*2)	
Th (WR-AD)	Address output hold time (WR standard)	(*1)		(*2)	
Td (BCLK-CS)	Chip-select output delay time		25		34
Th (BCLK-CS)	Chip-select output hold time (BCLK standard)	4		See left	
Th (RD-CS)	Chip-select output hold time (RD standard)	(*1)		See left	
Th (WR-CS)	Chip-select output hold time (WR standard)	(*1)		See left	
Td (BCLK-RD)	RD signal output delay time		25		35
Th (BCLK-RD)	RD signal output hold time	0		See left	
Td (BCLK-WR)	WR signal output delay time		25		37
Th (BCLK-WR)	WR signal output hold time	0		See left	
Td (BCLK-DB)	Data output delay time (BCLK standard)		40		See left
Th (BCLK-DB)	Data output hold time (BCLK standard)	4		See left	
Td (DB-WR)	Data output delay time (WR standard)	(*1)		See left	
Th (WR-DB)	Data output hold time (WR standard)	(*1)		See left	
Td (BCLK-ALE)	ALE output delay time (BCLK standard)		25		See left
Th (BCLK-ALE)	ALE output hold time (BCLK standard)	-4		See left	
Td (AD-ALE)	ALE output delay time (Address standard)	(*1)		See left	
Th (ALE-AD)	ALE output hold time (Address standard)	30		See left	
Td (AD-RD)	After address RD signal output delay time	0		See left	
Td (AD-WR)	After address WR signal output delay time	0		See left	
Tdz (RD-AD)	Address output floating start time		8		See left

\*1 Calculated by the following formulas according to the frequency of BCLK.

$$Th (RD-AD) = \frac{10^9}{f(BCLK) \times 2} \quad [ns]$$

$$Th (WR-AD) = \frac{10^9}{f(BCLK) \times 2} \quad [ns]$$

$$Th (RD-CS) = \frac{10^9}{f(BCLK) \times 2} \quad [ns]$$

$$Th (WR-CS) = \frac{10^9}{f(BCLK) \times 2} \quad [ns]$$

$$Td (DB-WR) = \frac{10^9 \times 3}{f(BCLK) \times 2} - 40 \quad [ns]$$

$$Th (WR-DB) = \frac{10^9}{f(BCLK) \times 2} \quad [ns]$$

$$Td (AD-ALE) = \frac{10^9}{f(BCLK) \times 2} - 25 \quad [ns]$$

\*2 Calculated by the following formulas according to the frequency of BCLK.

$$Th (RD-AD) = \frac{10^9}{f(BCLK) \times 2} - 14 \quad [ns]$$

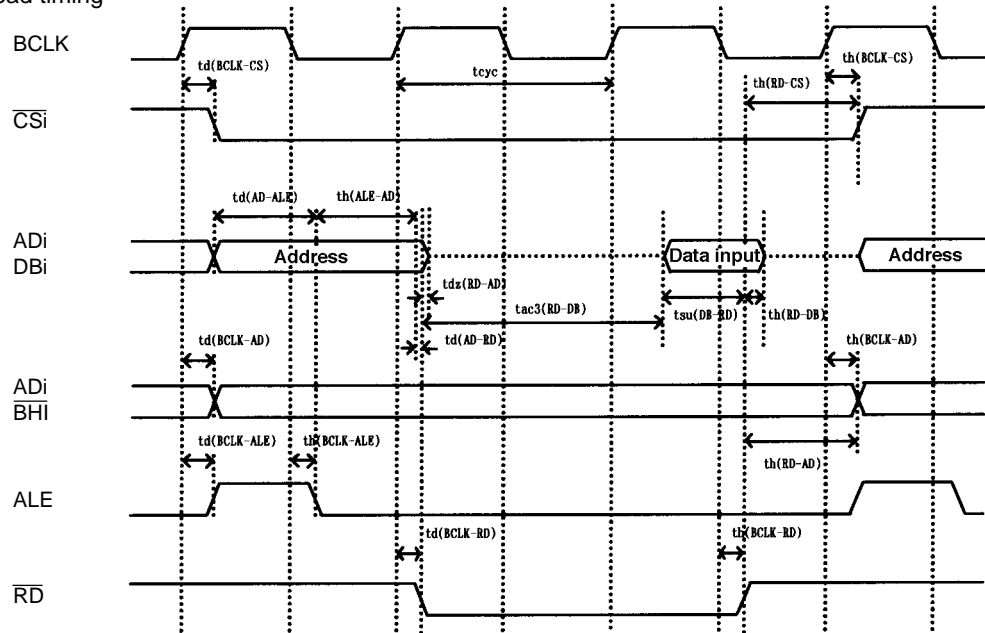
$$Th (WR-AD) = \frac{10^9}{f(BCLK) \times 2} - 14 \quad [ns]$$

$$Th (RD-CS) = \frac{10^9}{f(BCLK) \times 2} - 12 \quad [ns]$$

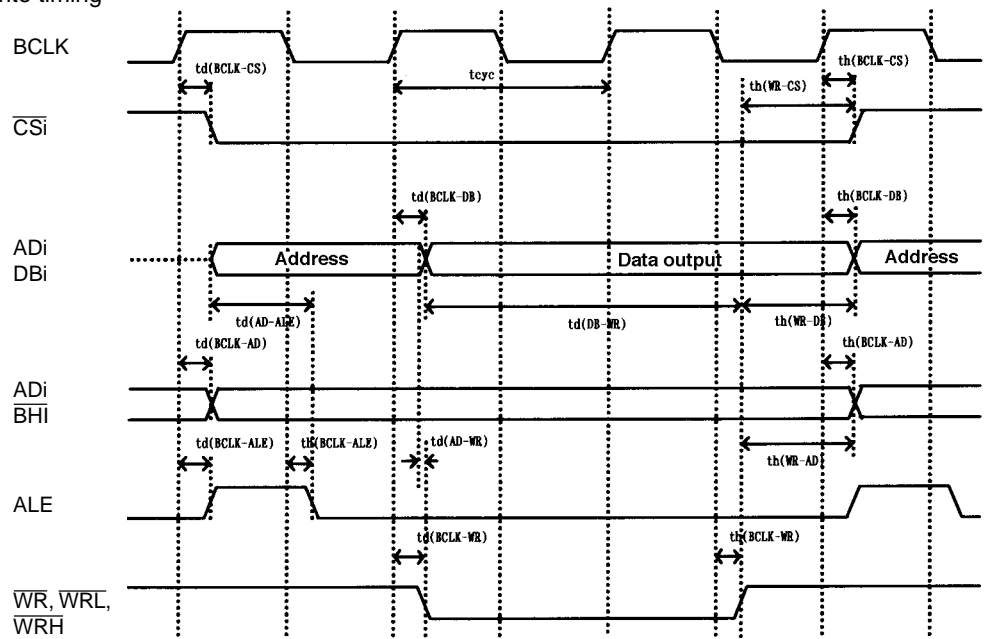
$$Th (WR-CS) = \frac{10^9}{f(BCLK) \times 2} - 12 \quad [ns]$$

Memory expansion mode and microprocessor mode  
(with wait, accessing external memory area and using multiplex bus)

Read timing



Write timing



Conditions:

- $V_{CC}=5V$
- Input timing voltage:  $V_{IL}=0.8V$ ,  $V_{IH}=2.5V$
- Output timing voltage:  $V_{OL}=0.8V$ ,  $V_{OH}=2.0V$

Figure 5.3 Memory expansion mode and microprocessor mode (with wait, multiplex bus)

#### (4) Timing Requirements

Table 5.5, Figures 5.4 and 5.5 show timing requirements in the memory expansion mode and the microprocessor mode.

Table 5.5 Timing requirements ( $V_{CC}=5V$ )

Symbol	Item	Actual MCU [ns]		This product [ns]	
		Min.	Max.	Min.	Max.
Tsu (DB-RD)	Data input setup time	40		See left	
Tsu (RDY-BCLK)	RDY* input setup time	30		50	
Tsu (HOLD-BCLK)	HOLD* input setup time	40		(*1)	
Th (RD-DB)	Data input hold time	0		See left	
Th (BCLK-RDY)	RDY* input hold time	0		See left	
Th (BCLK-HOLD)	HOLD* input hold time	0		See left	
Td (BCLK-HLDA)	HLDA* output delay time		40		See left

\*1 Minimum 13ns (The definition is different from that of the actual MCU. For details, see Figure 5.5.)

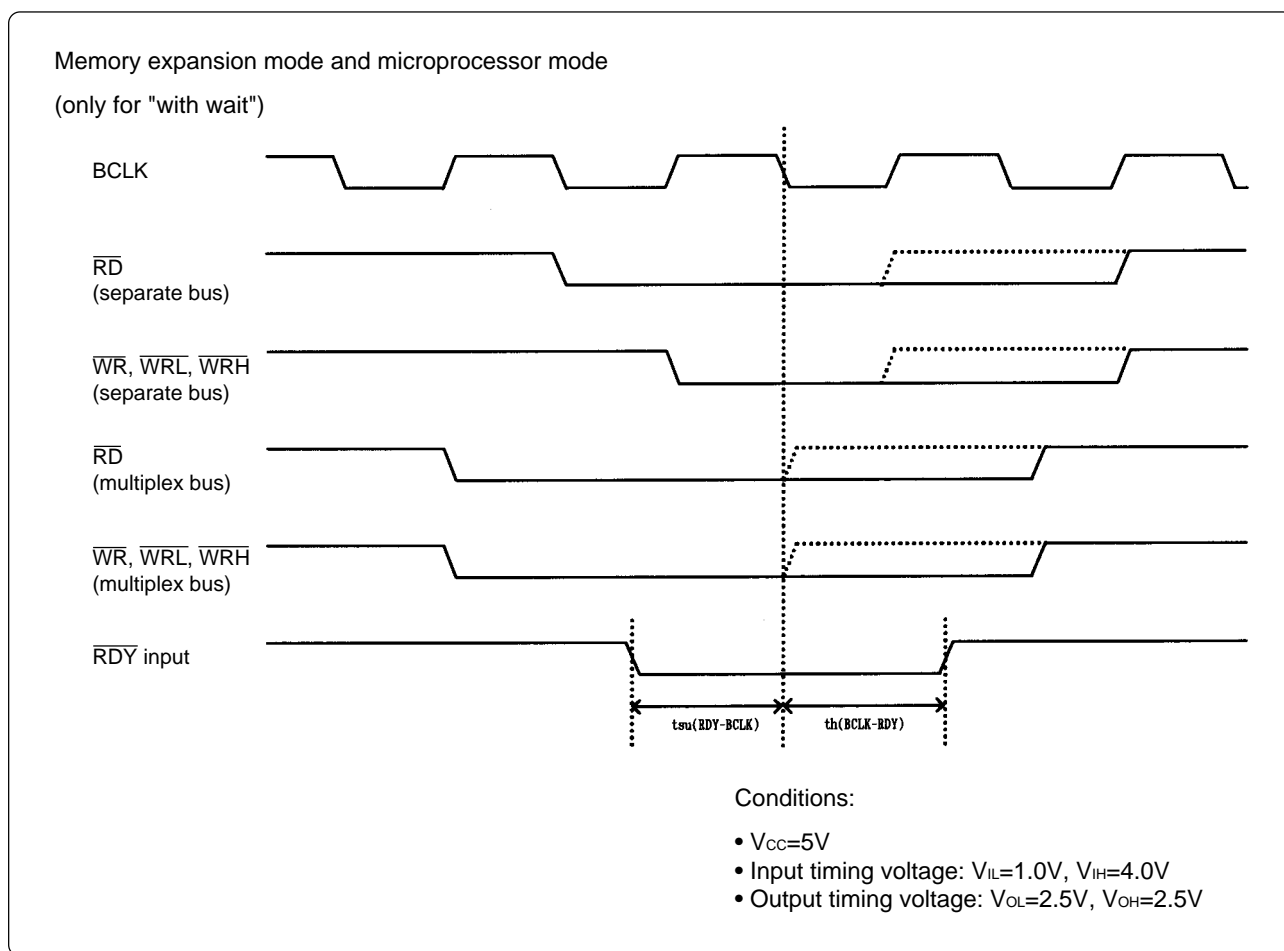
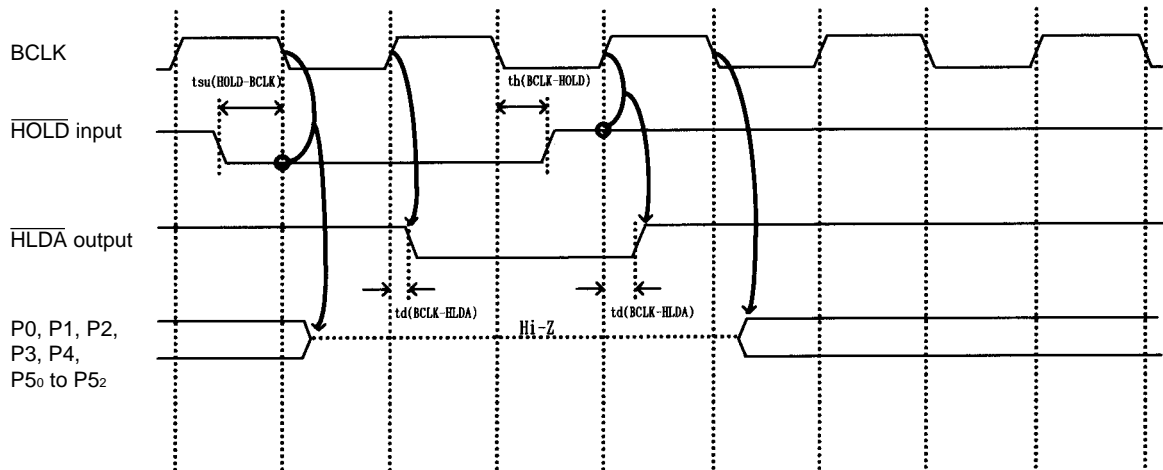
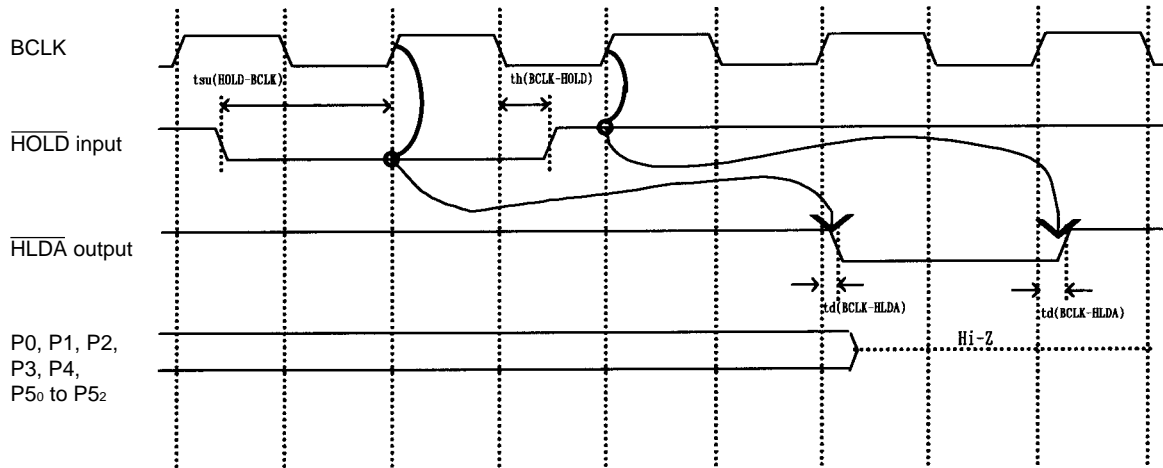


Figure 5.4 Timing requirements

Common to "with wait" and "no-wait" (actual MCU)



Common to "with wait" and "no-wait" (this product)



Note 1. P0<sub>0</sub> to P5<sub>2</sub> will be high-impedance regardless of the input level of BYTE pin and ports P4<sub>0</sub> to P4<sub>3</sub> function selection bit (PM06) of the processor mode register 0.

Note 2. This product will be high-impedance delaying by 2.5 cycles than the actual MCU.

Note 3. The setup time of HOLD is defined by the startup of BCLK, differently from that of actual MCUs.

Conditions:

- $V_{CC}=5V$
- Input timing voltage:  $V_{IL}=1.0V$ ,  $V_{IH}=4.0V$
- Output timing voltage:  $V_{OL}=2.5V$ ,  $V_{OH}=2.5V$

Figure 5.5 Timing requirements

### 5.3 Electrical Characteristics

Tables 5.6 and 5.7 list IC electrical characteristics of the user interface.

Table 5.6 Electrical characteristics of 74HC4066AFT (P10<sub>0</sub> to P10<sub>7</sub>, AN0 to AN7)

Symbol	Parameter	V <sub>CC</sub>	Standard values			Unit
			Min.	Standard	Max.	
V <sub>IHC</sub>	High level control input voltage	4.5	3.15			V
V <sub>ILC</sub>	Low level control input voltage	4.5			1.35	V
R <sub>ON</sub>	ON resistance	4.5		96	200	Ω
R <sub>ON</sub>	Difference of ON resistances	4.5		10		Ω

Table 5.7 Electrical characteristics of M60074-0111FP (P0<sub>0</sub> to P5<sub>7</sub>)

Symbol	Parameter	Condition	Standard values			Unit
			Min.	Standard	Max.	
V <sub>IL</sub>	Input voltage	V <sub>CC</sub> =4.5V	0		1.35	V
V <sub>IH</sub>		V <sub>CC</sub> =5.5V	3.85		5.5	
V <sub>OH</sub>	Output voltage	V <sub>CC</sub> =5.0V			0.05	V
V <sub>OL</sub>		I <sub>O</sub>  <1μA	4.95			V
I <sub>OL</sub>	Output current	V <sub>CC</sub> =4.5V V <sub>OL</sub> =0.4V	8			mA
I <sub>OH</sub>		V <sub>CC</sub> =4.5V V <sub>OH</sub> =4.1V			-8	mA
I <sub>IL</sub>	Input leak current	V <sub>CC</sub> =5.5V V <sub>I</sub> =0V	-1		+1	μA
I <sub>IH</sub>		V <sub>CC</sub> =5.5V V <sub>I</sub> =5.5V	-1		+1	μA
I <sub>OZL</sub>	OFF state output leak current	V <sub>CC</sub> =5.5V V <sub>O</sub> =0V	-1		+1	μA
I <sub>OZH</sub>		V <sub>CC</sub> =5.5V V <sub>O</sub> =5.5V	-1		+1	μA
C <sub>IO</sub>	I/O pin capacity	f=1MHz V <sub>CC</sub> =0V		7	15	pF

## 5.4 Connection Diagram

Figures 5.6 and 5.7 show the connection diagram of M306V2T-RPD-E. This connection diagram mainly shows the interface section, and the circuits which are not connected to the target system such as the emulator's control system are omitted.

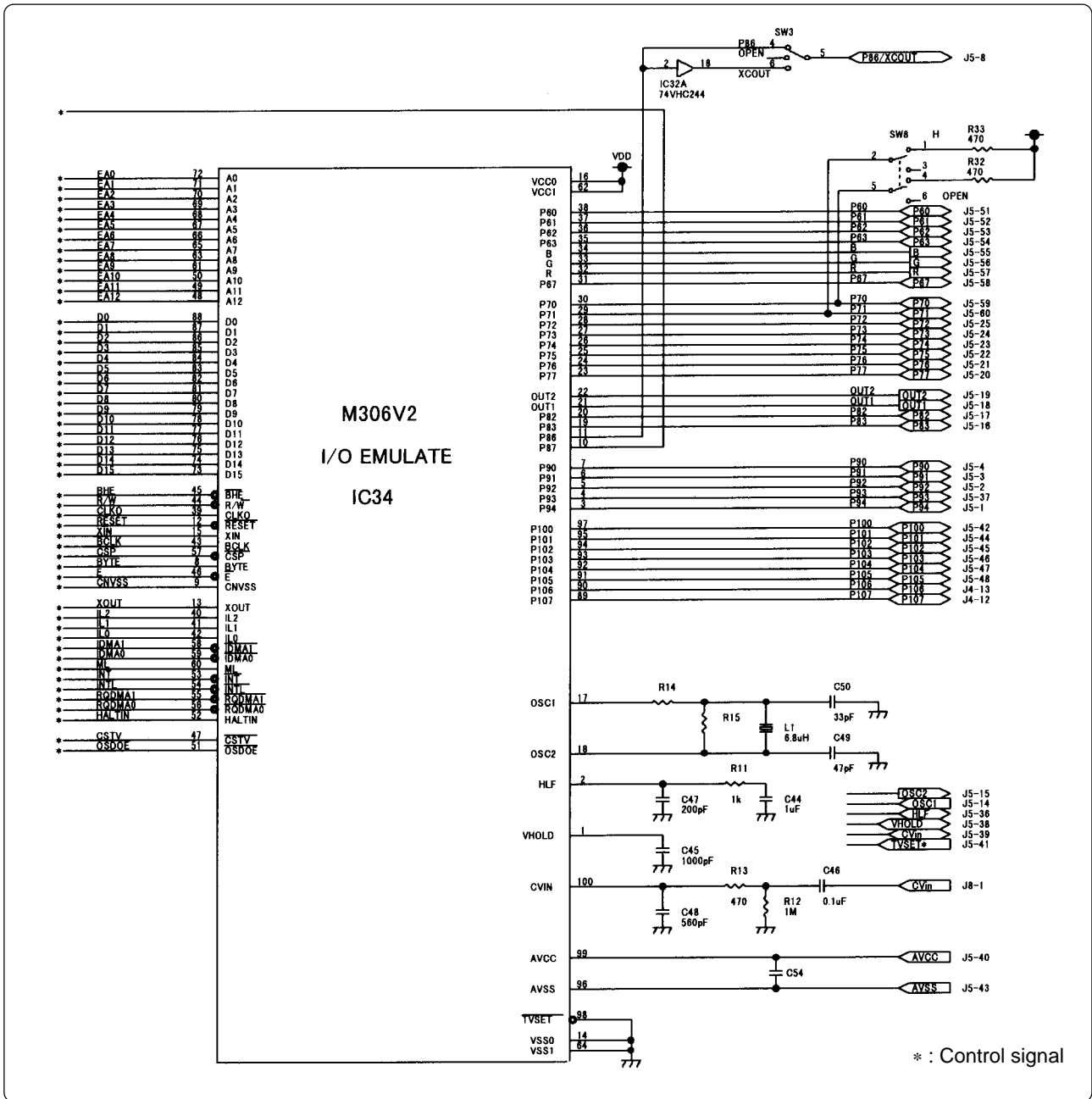
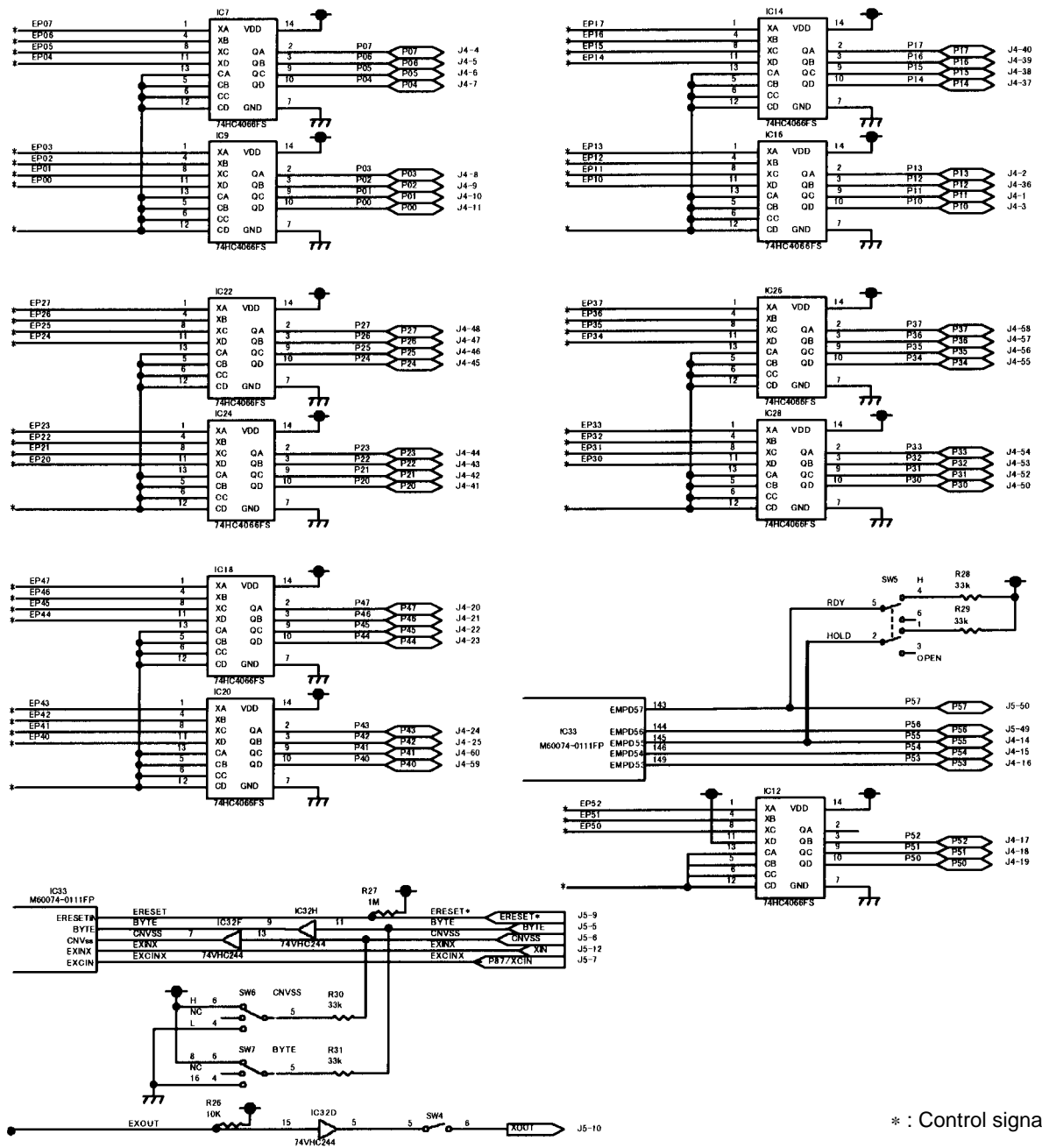


Figure 5.6 Connection diagram 1





\* : Control signal

Figure 5.7 Connection diagram 2

## 5.5 External Dimensions

### (1) External Dimensions of Emulation Pod

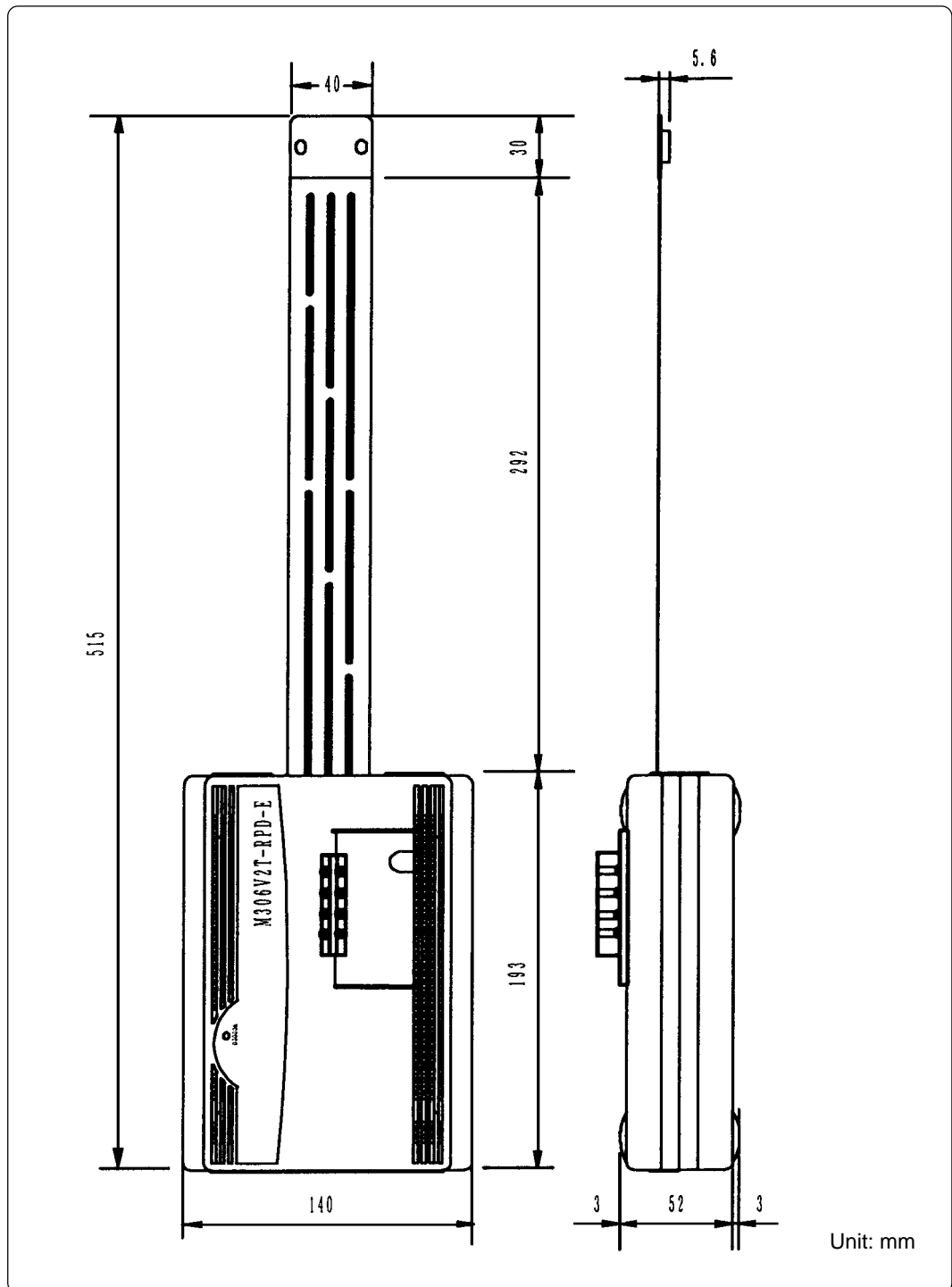


Figure 5.8 External dimensions of emulation pod

## (2) External Dimensions of Pitch Converter Board (FLX-100LCC)

Figure 5.9 shows the external dimensions of the pitch converter board FLX-100LCC for 100-pin LQFP (100D0).

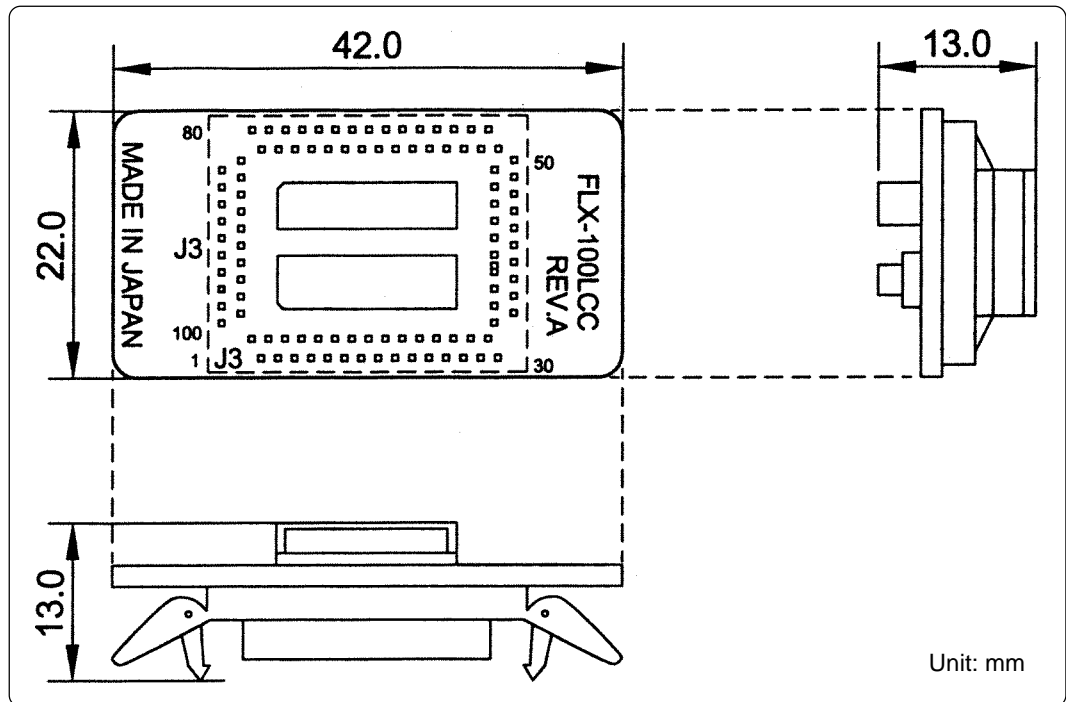


Figure 5.9 External dimensions of pitch converter board (FLX-100LCC)

# MEMO

# Chapter 6. Troubleshooting

This chapter describes how to troubleshoot when this product does not work properly.

6.1 Flowchart to Remedy the Troubles .....	62
6.2 When the Emulator Debugger Does Not Start Up Properly .....	63
(1) When the LED Display of PC4701 is Abnormal .....	63
(2) Errors Occur When the Emulator Debugger Starts Up (When the target system is connected) .....	64
(3) Errors Occur When the Emulator Debugger Starts Up (When the target system is not connected) .....	65
6.3 Operation Differs from That of Actual MCUs .....	65
(1) A-D Conversion Values are Different from Expected Values .....	65

# Chapter 6. Troubleshooting

## 6.1 Flowchart to Remedy the Troubles

Figure 6.1 shows the flowchart to remedy the troubles from when power to the emulator is activated until the emulator debugger starts up. Check this while the target system is disconnected.

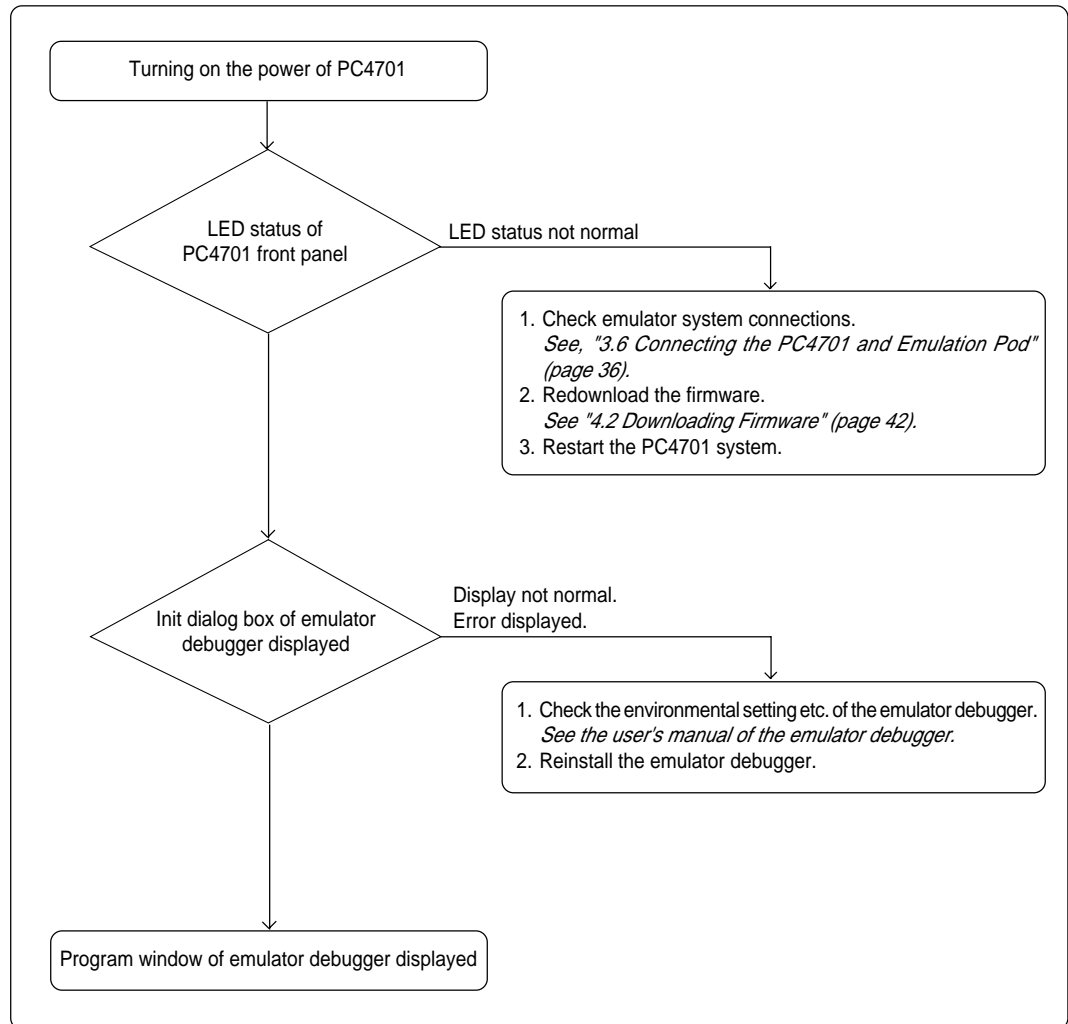


Figure 6.1 Flowchart to remedy the troubles

## 6.2 When the Emulator Debugger Does Not Start Up Properly

### (1) When the LED Display of PC4701 is Abnormal

Table 6.1 LED's abnormal display and its checkpoints

Error	Connection to the target system	Checkpoint
LEDs do not light up.	-	Recheck the power cable is connected to the PC4701. <i>See the instruction manual of the PC4701.</i>
All LEDs remain lit.	-	Recheck the connection between the PC4701 and this product. <i>See "3.6 Connecting the PC4701 and Emulation Pod" (page 36).</i>
The "POWER" LED of "STATUS OF TARGET" does not light up.	Connected	Check power is properly supplied to the target system and that the target system is properly grounded.
The "CLOCK" LED of "STATUS OF TARGET" does not light up.	Disconnected	(1) Check both the main and sub clocks of the emulator debugger are not set to "EXT". <i>See the CLK command of the emulator debugger.</i> (2) Check the oscillation circuit in the emulation pod is oscillating. <i>See "3.3 Selecting Clock Supply" (page 29).</i>
	Connected	(1) Check the oscillation circuit in the target system is oscillating. (2) Check the switches in the emulation pod are correctly set. <i>See "3.2 Switch Settings" (page 25).</i>

**(2) Errors Occur When the Emulator Debugger Starts Up  
(When the target system is connected)**

Table 6.2 Checkpoints of errors when starting up the emulator debugger (target is connected)

Error	Checkpoint
Communication error occurred Data was not sent to the target	Check all emulator debugger settings, interface cable connection and switches on the rear of the PC4701 match. <i>See the instruction manuals of the PC4701 and the emulator debugger.</i>
Target system cannot be properly built	(1) Download the proper firmware. <i>See "4.2 Downloading Firmware" (page 42).</i> (2) Recheck the connection between the PC4701 and this product. <i>See "3.6 Connecting the PC4701 and Emulation Pod" (page 36).</i>
M3T-PD30 version is not the same version as the firmware in the target	Download the proper firmware. <i>See "4.2 Downloading Firmware" (page 42).</i>
Target MCU is in the reset state	Check the reset pin of the target system has changed from "Low" to "High" level.
Target MCU cannot be reset	(1) If the reset circuit of the target system has a watchdog timer, disable the timer. (2) Check power is properly supplied to the target system and that the target system is properly grounded. (3) The program may be uncontrollable in areas where memory not allocated. Recheck the map setting.
Target is in HOLD state	(1) The MCU is either in the stop mode or wait mode. Either reset the MCU or cancel the mode with an interrupt. <i>See the MCU specifications.</i> (2) The program may be uncontrollable in areas where memory not allocated. Recheck the map setting.
Target clock is stopped	(1) Check the oscillation circuit of the target system is oscillating properly. (2) Check the switches in the emulation pod are correctly set. <i>See "3.2 Switch Settings" (page 25).</i>
Target MCU is not receiving power	Check power is properly supplied to the target system and that the target system is properly grounded.



**(3) Errors Occur When the Emulator Debugger Starts Up  
(When the target system is not connected)**

*Table 6.3 Checkpoints of errors when starting up the emulator debugger (target is not connected)*

Error	Checkpoint
Communication error occurred Data was not sent to the target	Check all emulator debugger settings, interface cable connection and switches on the rear of the PC4701 match. <i>See the instruction manuals of the PC4701 and the emulator debugger.</i>
Target system cannot be properly built	(1) Download the proper firmware. <i>See "4.2 Downloading Firmware" (page 42).</i> (2) Recheck the connection between the PC4701 and this product. <i>See "3.6 Connecting the PC4701 and Emulation Pod" (page 36).</i>
M3T-PD30 version is not the same version as the firmware in the target	Download the proper firmware. <i>See "4.2 Downloading Firmware" (page 42).</i>
Target MCU cannot be reset	The program may be uncontrollable in areas where memory not allocated. Recheck the map setting.
Target is in HOLD state	(1) The MCU is either in the stop mode or wait mode. Either reset the MCU or cancel the mode with an interrupt. <i>See the MCU specifications.</i> (2) The program may be uncontrollable in areas where memory not allocated. Recheck the map setting.
Target clock is stopped	Check the switches in the emulation pod are correctly set. <i>See "3.2 Switch Settings" (page 25).</i>

**6.3 Operation Differs from That of Actual MCUs**

**(1) A-D Conversion Values are Different from Expected Values**

As a flexible cable, a pitch converter board and other devices are used between the evaluation MCU and the target system, the A-D converter operates differently from the actual MCU. Make the final evaluation of the A-D converter from the actual MCU.

# MEMO

# Chapter 7. Maintenance and Guarantee

This chapter describes how to maintenance, repair provisions and how to request for repair.

7.1 Maintenance .....	68
7.2 Guarantee .....	68
7.3 Repair Provisions.....	68
7.4 How to Request for Repair .....	69

# Chapter 7. Maintenance and Guarantee

## 7.1 Maintenance

If dust or dirt collects on any equipment of your emulation system, wipe it off with a dry soft cloth. Do not use thinner or other solvents because these chemicals can cause the equipment's surface coating to separate.

## 7.2 Guarantee

If your product becomes faulty within twelve months after its purchase while being used under good conditions by observing "Precautions for Safety" described in Chapter 1 of this user's manual, we will repair or replace your faulty product free of charge. Note, however, that if your product's fault is raised by any one of the following causes, we will repair it or replace it with new one with extra-charge:

- Misuse, abuse, or use under extraordinary conditions
- Unauthorized repair, remodeling, maintenance, and so on
- Inadequate user's system or misuse of it
- Fires, earthquakes, and other unexpected disasters

In the above cases, contact your local distributor. If your product is being leased, consult the leasing company or the owner.

## 7.3 Repair Provisions

### (1) Repair with extra-charge

The products elapsed more than twelve months after purchase can be repaired with extra-charge.

### (2) Replacement with extra-charge

If your product's fault falls in any of the following categories, the fault will be corrected by replacing the entire product instead of repair, or you will be advised to purchase new one, depending on the severity of the fault.

- Faulty or broken mechanical portions
- Flaw, separation, or rust in coated or plated portions
- Flaw or cracks in plastic portions
- Faults or breakage caused by improper use or unauthorized repair or modification
- Heavily damaged electric circuits due to overvoltage, overcurrent or shorting of power supply
- Cracks in the printed circuit board or burnt-down patterns
- Wide range of faults that makes replacement less expensive than repair
- Unlocatable or unidentified faults

### (3) Expiration of the repair period

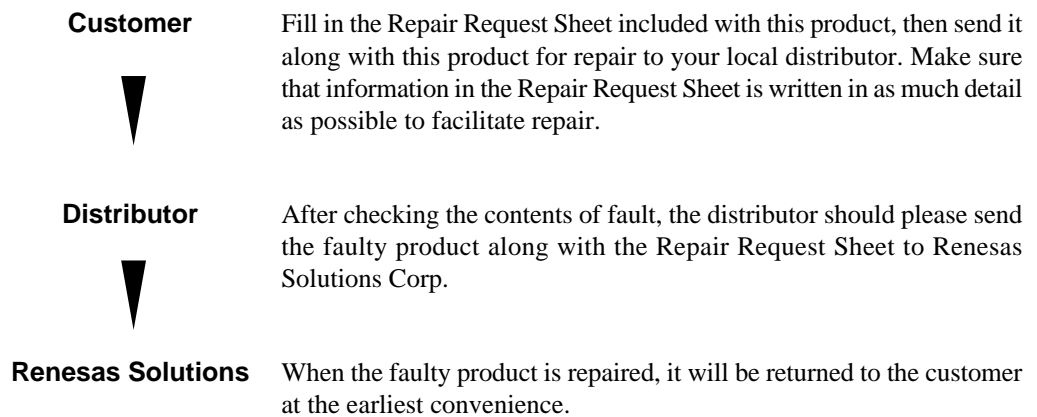
When a period of twelve months elapses after the model was dropped from production, repairing products of the model may become impossible.

### (4) Transportation fees at sending your product for repair

Please send your product to us for repair at your expense.

## 7.4 How to Request for Repair

If your product is found faulty, follow the procedure below to send your product for repair.



### CAUTION

#### Note on Transporting the Product:



- When sending your product for repair, use the packing box and cushion material supplied with this product when delivered to you and specify handling caution for it to be handled as precision equipment. If packing of your product is not complete, it may be damaged during transportation. When you pack your product in a bag, make sure to use conductive polyvinyl supplied with this product (usually a blue bag). When you use other bags, they may cause a trouble on your product because of static electricity.

# MEMO

# M306V2T-RPD-E User's Manual

---

Rev.1.00  
September 1, 2003  
REJ10J0266-0100Z

**COPYRIGHT ©2003 RENESAS TECHNOLOGY CORPORATION  
AND RENESAS SOLUTIONS CORPORATION ALL RIGHTS RESERVED**



**RenesasTechnology Corp.**

2-6-2, Ote-machi, Chiyoda-ku, Tokyo, 100-0004, Japan



## Free Manuals Download Website

<http://myh66.com>

<http://usermanuals.us>

<http://www.somanuals.com>

<http://www.4manuals.cc>

<http://www.manual-lib.com>

<http://www.404manual.com>

<http://www.luxmanual.com>

<http://aubethermostatmanual.com>

Golf course search by state

<http://golfingnear.com>

Email search by domain

<http://emailbydomain.com>

Auto manuals search

<http://auto.somanuals.com>

TV manuals search

<http://tv.somanuals.com>