

# WARNINGS AND CAUTIONS

## Warnings:

- The humidifier is for single-person use only.
- Do not allow water from the humidifier to spill through the air tubing into the flow generator as this could result in electrical shock hazard and may damage the unit. To prevent this:
  - do not overfill the humidifier
  - disconnect the air tubing from the flow generator when not in use
  - do not fill the humidifier while it is attached to the flow generator
  - only use the humidifier when it is sitting underneath the flow generator.
- If water does enter the flow generator, switch off the power and disconnect the flow generator. Return it to your equipment supplier for inspection.
- Always use the outlet connector - it is designed to help prevent water from entering the air tubing that leads to your mask.

## Cautions:

- Do not use bleach, chlorine-, alcohol-, or aromatic-based solutions to clean the humidifier. These solutions may damage or otherwise reduce the life of the product.
- Do not use a mixture of vinegar and disinfectant to clean the humidifier.

Manufactured by ResMed Ltd 97 Waterloo Road North Ryde 2113 Australia Tel: +61 (2) 9886 5000 or 1 800 658 189 Fax: +61 (2) 9878 0120 Distributed by • ResMed Ltd 97 Waterloo Road North Ryde 2113 Australia Tel: +61 (2) 9886 5000 or 1 800 658 189 Fax: +61 (2) 9878 0120 • ResMed (UK) Limited 65 Milton Park Abingdon Oxfordshire OX14 4RX UK Tel: +44 (1235) 862 997 Fax: +44 (1235) 831 336 • ResMed GmbH & Co KG Rudolfstrasse 10 D-41068 Moenchengladbach Germany Tel: +49 (0) 2161-3521-0 Fax: +49 (0) 2161-3521-1499 • ResMed SA Parc de la Bandonnière 2, rue Maurice Audibert 69800 Saint Priest France Tel: +33 (0) 437 251 251 Fax: +33 (0) 437 251 260 • ResMed Singapore Pte Ltd 57 Ubi Avenue 1 #07-09 Ubi Centre Singapore 408936 Tel: +65 6284 7177 Fax: +65 6284 7787

Internet: <http://www.resmed.com>

AutoSCAN™, AutoSet®, AutoSet T™, AutoView™, Bubble Mask®, Bubble Cushion®, HumidAire™, IPAP MAX™, Mirage®, ResCap®, SCAN™, SmartStart®, SULLIVAN®, VPAP®, and VPAP MAX™ are trademarks of ResMed Ltd.

© 2003 ResMed. Reorder No: 18805/9 03 09



# RESMED

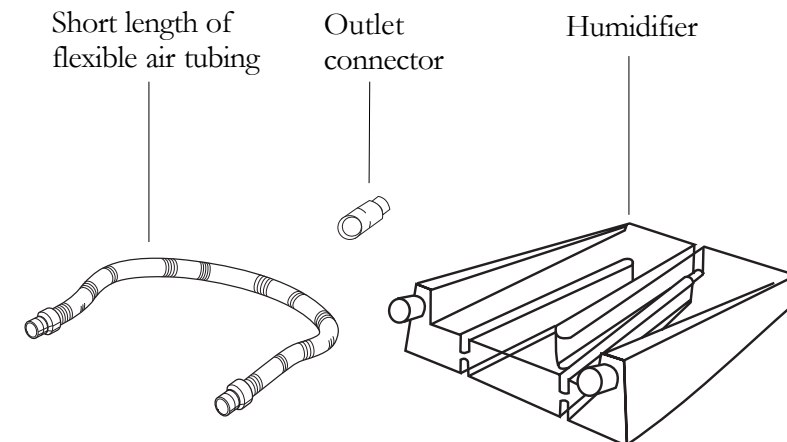
## RESMED PASSOVER HUMIDIFIER

### HOW THE RESMED PASSOVER HUMIDIFIER WORKS

The ResMed Passover Humidifier relieves the symptoms of a dry nose and throat which some people experience during Continuous and Variable Positive Airway Pressure (CPAP and VPAP) treatment. It is for use with ResMed CPAP and VPAP systems.

The ResMed Passover Humidifier is a water filled container which fits underneath your flow generator. Air from the flow generator passes over the water before being delivered to you through your mask in the usual way. The air picks up moisture from the water which makes it more comfortable to breathe.

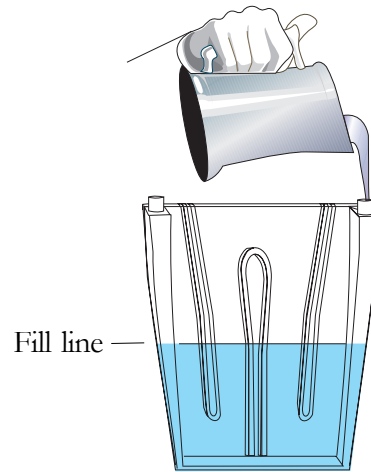
Your humidifier kit contains:



USER GUIDE

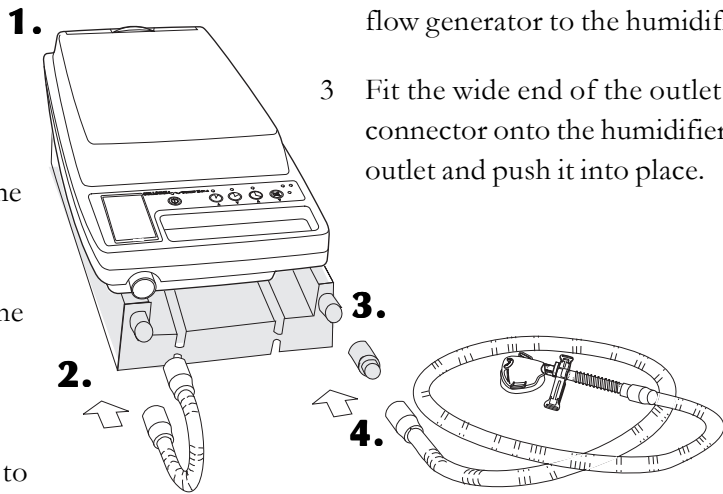
## FILLING THE HUMIDIFIER

- 1 Ensure that the humidifier is clean.
- 2 Do not fill the humidifier with hot or chilled water - use room temperature water.
- 3 Hold the humidifier upright and pour water through either the inlet or the outlet until it reaches the fill line (as shown opposite).
- 4 Fill the humidifier with fresh water every night.



## CONNECTING THE FLOW GENERATOR

- 1 Position your flow generator on top of the humidifier. The front of the flow generator should sit between the inlet and outlet of the humidifier.
- 2 Connect the short air tube from the flow generator to the humidifier.
- 3 Fit the wide end of the outlet connector onto the humidifier outlet and push it into place.
- 4 Connect one end of the long air tubing to the outlet connector, and attach your mask to the other end.
- 5 Check that both the short and long air tubing are securely connected to the humidifier and the flow generator. The humidifier is now ready to use.



## CLEANING INSTRUCTIONS

### DAILY

Clean the humidifier every day after you use it. Follow these steps:

- 1 Ensure that the flow generator is switched off. Disconnect the short air tubing. Remove the outlet connector from the humidifier. Lift the flow generator off the humidifier.
- 2 Drain any remaining water from the humidifier.
- 3 Wash the humidifier, outlet connector, and air tubing in warm water, using a mild detergent. **Do not use hot water.** Partly fill the humidifier and shake vigorously.
- 4 Rinse thoroughly with clean water and allow the humidifier to air dry completely in a warm place (not in direct sunlight).

### WEEKLY

Clean the humidifier thoroughly every week as follows:

- 1 Soak the humidifier in a solution of one part vinegar and 3 parts warm water for 1 hour.
- 2 Rinse thoroughly with clean water and allow the humidifier to air dry completely in a warm place (not in direct sunlight).

### CAUTION:

Do not use bleach, chlorine-, alcohol-, or aromatic-based solutions on the air tubing or connector as these could cause some deterioration in the materials.

Do not hang the air tubing in direct sunlight as the tubing may harden over time and eventually crack.

## Free Manuals Download Website

<http://myh66.com>

<http://usermanuals.us>

<http://www.somanuals.com>

<http://www.4manuals.cc>

<http://www.manual-lib.com>

<http://www.404manual.com>

<http://www.luxmanual.com>

<http://aubethermostatmanual.com>

Golf course search by state

<http://golfingnear.com>

Email search by domain

<http://emailbydomain.com>

Auto manuals search

<http://auto.somanuals.com>

TV manuals search

<http://tv.somanuals.com>