



PACKAGE HEAT PUMP UNITS

FORM NO. P11-763 REV. 1
Supersedes Form No. P11-763

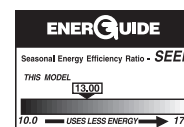
RJNA- HIGH EFFICIENCY SERIES NOMINAL SIZES 3-5 TONS [10.6-17.6 kW]



*Unit shown with optional louver panels installed.



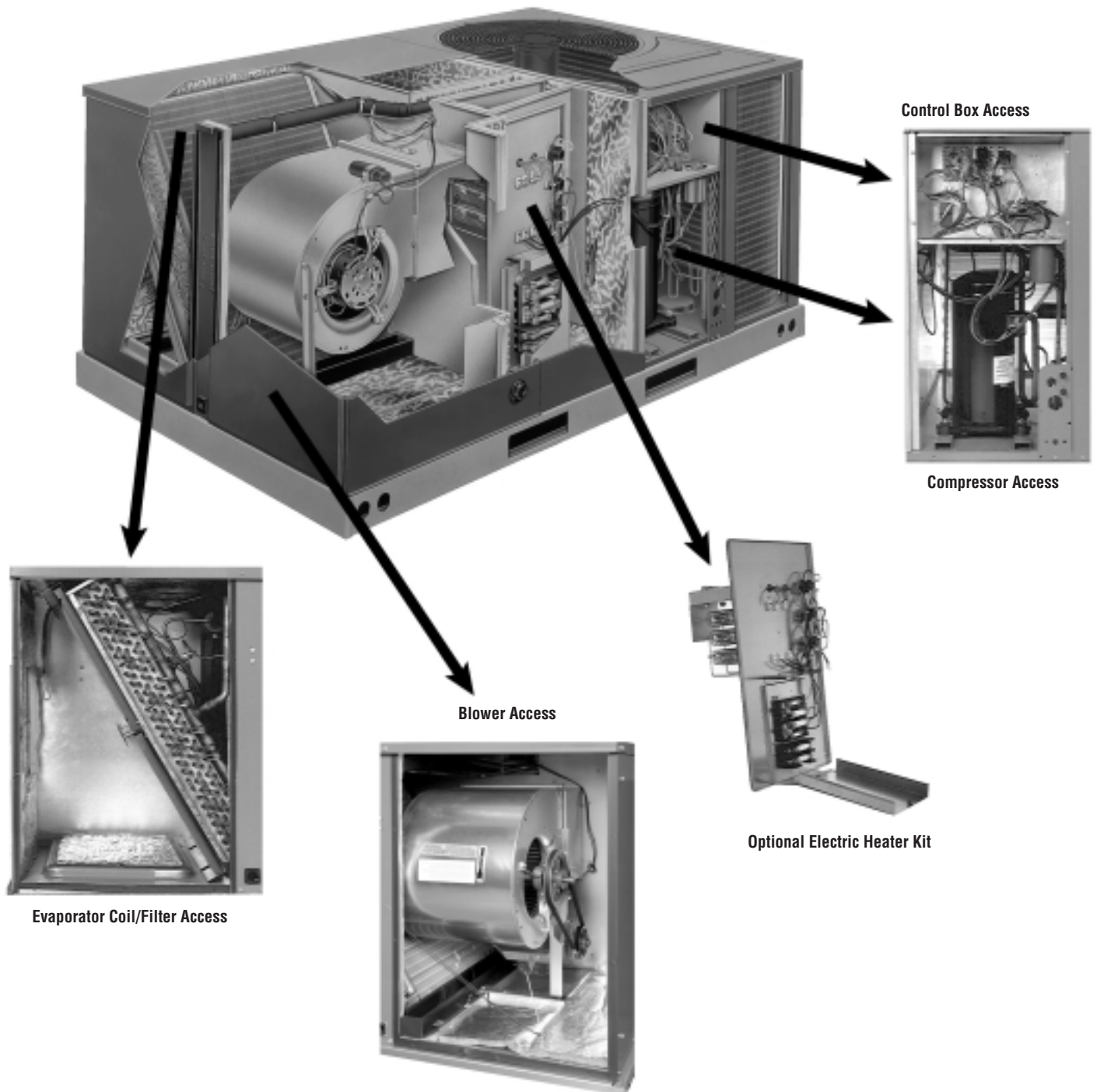
"CERTIFIED UNDER THE
A.R.I. CERTIFICATION
PROGRAM—A.R.I.
STANDARD 240"





Introduction	3-4
Model Identification Options.....	5-6
General Data	
RJNA- Series	7-13
General Data Notes	14
Performance Data	
RJNA- Series	15-18
Airflow Performance	
RJNA- Series	19-21
Electrical Data	
RJNA- Series	22-23
Units with Heater Kits	
RJNA- Series	24-30
Dimensional Data	31-33
Accessories	34-41
Mechanical Specifications	42
Typical Wiring	43-49
Limited Warranty	50

These quality features are included in the Rheem Outdoor Package Heat Pumps



ENGINEERING FEATURES

RJNA- Series Package Heat Pumps

1. All models feature Copeland® Scroll® compressors offering maximum reliability, efficiency, and quiet operation.
2. One-piece top over the indoor section with drip lip, drawn painted base pan, and 1" [25.4 mm] raised flanges for supply/return air connections provides superior water management.
3. Convertible horizontal and vertical airflow design allows maximum field flexibility and minimizes inventory requirements.
4. Standard full perimeter forkable baserail with lifting holes for easier maneuvering and installations.
5. Factory installed one-inch [25.4 mm] throw away filter with provisions for two-inch [50.8 mm] filter.
6. Direct or belt drive options to accommodate a wide range of design conditions as high as 1.5 inches [37 kPa] of external static pressure.
7. Easily removable filter, blower, electric heat, and compressor/control access panels permits prompt service.
8. Number and color coded wiring helps facilitate service and maintenance.
9. Common cabinet and components allows for installation flexibility and fewer parts to inventory.
10. Standard high pressure control on all models.
11. Externally mounted refrigerant gauge ports for easy service diagnostics.
12. Side and base electric power entry helps minimize roof penetrations.
13. Quick assembly common roof curbs helps save field labor and maximize size flexibility.
14. Factory or field installed electric heat kits available up to 24 KW.
15. Easy to install plug-in, slip-in economizers; 100% fully modulating, single enthalpy.
16. Quality powder paint finish offers long lasting protection against extreme weather conditions and is able to withstand 1000 HR salt spray test.

[] Designates Metric Conversions





MODEL IDENTIFICATION—RJNA- SERIES



R J N A — A 036 J K 000

Electric Heat
000 = No Resistance Heat
010 = 10 kW Resistance Heat
015 = 15 kW Resistance Heat
020 = 20 kW Resistance Heat

Drive Package
K = Direct Drive
L = Belt Drive
M = Belt Drive—High Static

Electrical Designation
J = 208-230 V, 1 PH, 60 Hz
C = 208-230 V, 3 PH, 60 Hz
D = 460 V, 3 PH, 60 Hz

Nominal Cooling Capacity
(BTUH) [kW]
036 = 36,000 [10.55]
042 = 42,000 [12.31]
048 = 48,000 [14.07]
060 = 60,000 [17.58]

Future Technical Variations

Design Series
A = 1st Design

Efficiency Designation
N = 13 SEER

Product Classification
J = Package Heat Pump—
Light Commercial

Tradebrand
R = Rheem

[] Designates Metric Conversions



FACTORY INSTALLED OPTION CODES FOR RJNA (3-5 Ton) [10.6-17.6 kW] (A036, A042, A048, A060)

Option Code	Hail Guard	Low Ambient	Side Flow	Reduced Height Baseraills
		Time Delay		
		Freeze Stat		
AA		No Options		
AD	x			
AF		x		
AK			x	
AL				x
BD	x	x		
BS	x		x	
BX	x			x
CK	x	x	x	

Example: RJNA-A060CK000**XX** (where **XX** is factory installed option)

Example: No Options

RJNA-A060CK000

Example: No Options with Factory Installed Economizer

RJNA-A060CK000AAB

Example: Options with Hail Guard, Low Ambient, Time Delay and Freeze Stat with No Factory Installed Economizer

RJNA-A060CK000BDA

Example: Options same as above with Factory Installed Economizer

RJNA-A060CK000BDB

ECONOMIZER SELECTION FOR RJNA-

	No Economizer	Single Enthalpy Economizer With Barometric Relief
A	x	
B		x

"x" indicates factory installed option.

[] Designates Metric Conversions



NOMINAL SIZES 3-5 TONS [10.6-17.6 kW]

Model RJNA- Series	A036CK	A036CL	A036CM	A036DK
Cooling Performance¹				CONTINUED →
Gross Cooling Capacity Btu [kW]	37,600 [11]	37,600 [11]	37,600 [11]	37,600 [11]
EER/SEER ²	11.6/13	11.6/13	11.6/13	11.6/13
Nominal CFM/ARI Rated CFM [L/s]	1200/1200 [566/566]	1200/1200 [566/566]	1200/1200 [566/566]	1200/1200 [566/566]
ARI Net Cooling Capacity Btu [kW]	36,000 [10.5]	36,000 [10.5]	36,000 [10.5]	36,000 [10.5]
Net Sensible Capacity Btu [kW]	26,823 [7.9]	26,823 [7.9]	26,823 [7.9]	26,823 [7.9]
Net Latent Capacity Btu [kW]	9177 [2.7]	9177 [2.7]	9177 [2.7]	9177 [2.7]
Net System Power kW	3.1	3.1	3.1	3.1
Heating Performance (Heat Pumps)				
Heating Temp. Btuh [kW] Rating	35,600 [10.4]	35,600 [10.4]	35,600 [10.4]	35,600 [10.4]
System Power KW/COP	3.2/3.3	3.2/3.3	3.2/3.3	3.2/3.3
Low Temp. Btuh [kW] Rating	21,200 [6.2]	21,200 [6.2]	21,200 [6.2]	21,200 [6.2]
System Power KW/COP	3/2.08	3/2.08	3/2.08	3/2.08
HSPF (Btu/Watts-hr)	7.7	7.7	7.7	7.7
Compressor				
No./Type	1/Copeland Scroll	1/Copeland Scroll	1/Copeland Scroll	1/Copeland Scroll
Outdoor Sound Rating (dB)³	83	83	83	83
Outdoor Coil—Fin Type	Louvered	Louvered	Louvered	Louvered
Tube Type	Rifled	Rifled	Rifled	Rifled
Tube Size in. [mm] OD	0.375 [9.5]	0.375 [9.5]	0.375 [9.5]	0.375 [9.5]
Face Area sq. ft. [sq. m]	16.56 [1.54]	16.56 [1.54]	16.56 [1.54]	16.56 [1.54]
Rows / FPI [FPcm]	2 / 22 [9]	2 / 22 [9]	2 / 22 [9]	2 / 22 [9]
Refrigerant Control	TX Valves	TX Valves	TX Valves	TX Valves
Indoor Coil—Fin Type	Louvered	Louvered	Louvered	Louvered
Tube Type	Rifled	Rifled	Rifled	Rifled
Tube Size in. [mm]	0.375 [9.5]	0.375 [9.5]	0.375 [9.5]	0.375 [9.5]
Face Area sq. ft. [sq. m]	5.16 [0.48]	5.16 [0.48]	5.16 [0.48]	5.16 [0.48]
Rows / FPI [FPcm]	3 / 13 [5]	3 / 13 [5]	3 / 13 [5]	3 / 13 [5]
Refrigerant Control	TX Valves	TX Valves	TX Valves	TX Valves
Drain Connection No./Size in. [mm]	1/1 [25.4]	1/1 [25.4]	1/1 [25.4]	1/1 [25.4]
Outdoor Fan—Type	Propeller	Propeller	Propeller	Propeller
No. Used/Diameter in. [mm]	1/24 [609.6]	1/24 [609.6]	1/24 [609.6]	1/24 [609.6]
Drive Type/No. Speeds	Direct/1	Direct/1	Direct/1	Direct/1
CFM [L/s]	4000 [1888]	4000 [1888]	4000 [1888]	4000 [1888]
No. Motors/HP	1 at 1/3 HP	1 at 1/3 HP	1 at 1/3 HP	1 at 1/3 HP
Motor RPM	1075	1075	1075	1075
Indoor Fan—Type	FC Centrifugal	FC Centrifugal	FC Centrifugal	FC Centrifugal
No. Used/Diameter in. [mm]	1/10x10 [254x254]	1/10x10 [254x254]	1/10x10 [254x254]	1/10x10 [254x254]
Drive Type/No. Speeds	Direct/3	Belt/Variable	Belt/Variable	Direct/3
No. Motors	1	1	1	1
Motor HP	1/2	1/2	3/4	1/2
Motor RPM	1075	1725	1725	1075
Motor Frame Size	48	56	56	48
Filter—Type	Disposable	Disposable	Disposable	Disposable
Furnished	Yes	Yes	Yes	Yes
(No.) Size Recommended in. [mm]	(2)1x25x16 [25x635x406]	(2)1x25x16 [25x635x406]	(2)1x25x16 [25x635x406]	(2)1x25x16 [25x635x406]
Refrigerant Charge Oz. [g]	182 [5160]	182 [5160]	182 [5160]	182 [5160]
Weights				
Net Weight lbs. [kg]	517 [235]	517 [235]	517 [235]	517 [235]
Ship Weight lbs. [kg]	532 [241]	532 [241]	532 [241]	532 [241]

See Page 14 for Notes.

[] Designates Metric Conversions



NOMINAL SIZES 3-5 TONS [10.6-17.6 kW]

Model RJNA- Series	A036DL	A036DM	A036JK	A042CK
Cooling Performance¹				CONTINUED →
Gross Cooling Capacity Btu [kW]	37,600 [11]	37,600 [11]	37,600 [11]	42,500 [12.5]
EER/SEER ²	11.6/13	11.6/13	11.6/13	11.8/13
Nominal CFM/ARI Rated CFM [L/s]	1200/1200 [566/566]	1200/1200 [566/566]	1200/1200 [566/566]	1400/1400 [661/661]
ARI Net Cooling Capacity Btu [kW]	36,000 [10.5]	36,000 [10.5]	36,000 [10.5]	40,500 [11.9]
Net Sensible Capacity Btu [kW]	26,823 [7.9]	26,823 [7.9]	26,823 [7.9]	30,124 [8.8]
Net Latent Capacity Btu [kW]	9177 [2.7]	9177 [2.7]	9177 [2.7]	10,376 [3]
Net System Power kW	3.1	3.1	3.1	3.4
Heating Performance (Heat Pumps)				
Heating Temp. Btuh [kW] Rating	35,600 [10.4]	35,600 [10.4]	35,600 [10.4]	40,000 [11.7]
System Power KW/COP	3.2/3.3	3.2/3.3	3.2/3.3	3.6/3.28
Low Temp. Btuh [kW] Rating	21,200 [6.2]	21,200 [6.2]	21,200 [6.2]	23,200 [6.8]
System Power KW/COP	3/2.08	3/2.08	3/2.08	3.3/2.06
HSPF (Btu/Watts-hr)	7.7	7.7	7.7	7.7
Compressor				
No./Type	1/Copeland Scroll	1/Copeland Scroll	1/Copeland Scroll	1/Copeland Scroll
Outdoor Sound Rating (dB)³	83	83	83	83
Outdoor Coil—Fin Type	Louvered	Louvered	Louvered	Louvered
Tube Type	Rifled	Rifled	Rifled	Rifled
Tube Size in. [mm] OD	0.375 [9.5]	0.375 [9.5]	0.375 [9.5]	0.375 [9.5]
Face Area sq. ft. [sq. m]	16.56 [1.54]	16.56 [1.54]	16.56 [1.54]	16.56 [1.54]
Rows / FPI [FPcm]	2 / 22 [9]	2 / 22 [9]	2 / 22 [9]	2 / 22 [9]
Refrigerant Control	TX Valves	TX Valves	TX Valves	TX Valves
Indoor Coil—Fin Type	Louvered	Louvered	Louvered	Louvered
Tube Type	Rifled	Rifled	Rifled	Rifled
Tube Size in. [mm]	0.375 [9.5]	0.375 [9.5]	0.375 [9.5]	0.375 [9.5]
Face Area sq. ft. [sq. m]	5.16 [0.48]	5.16 [0.48]	5.16 [0.48]	5.16 [0.48]
Rows / FPI [FPcm]	3 / 13 [5]	3 / 13 [5]	3 / 13 [5]	3 / 13 [5]
Refrigerant Control	TX Valves	TX Valves	TX Valves	TX Valves
Drain Connection No./Size in. [mm]	1/1 [25.4]	1/1 [25.4]	1/1 [25.4]	1/1 [25.4]
Outdoor Fan—Type	Propeller	Propeller	Propeller	Propeller
No. Used/Diameter in. [mm]	1/24 [609.6]	1/24 [609.6]	1/24 [609.6]	1/24 [609.6]
Drive Type/No. Speeds	Direct/1	Direct/1	Direct/1	Direct/1
CFM [L/s]	4000 [1888]	4000 [1888]	4000 [1888]	4000 [1888]
No. Motors/HP	1 at 1/3 HP	1 at 1/3 HP	1 at 1/3 HP	1 at 1/3 HP
Motor RPM	1075	1075	1075	1075
Indoor Fan—Type	FC Centrifugal	FC Centrifugal	FC Centrifugal	FC Centrifugal
No. Used/Diameter in. [mm]	1/10x10 [254x254]	1/10x10 [254x254]	1/10x10 [254x254]	1/10x10 [254x254]
Drive Type/No. Speeds	Belt/Variable	Belt/Variable	Direct/3	Direct/3
No. Motors	1	1	1	1
Motor HP	1/2	3/4	1/2	1/2
Motor RPM	1725	1725	1075	1075
Motor Frame Size	56	56	48	48
Filter—Type	Disposable	Disposable	Disposable	Disposable
Furnished	Yes	Yes	Yes	Yes
(No.) Size Recommended in. [mm]	(2)1x25x16 [25x635x406]	(2)1x25x16 [25x635x406]	(2)1x25x16 [25x635x406]	(2)1x25x16 [25x635x406]
Refrigerant Charge Oz. [g]	182 [5160]	182 [5160]	182 [5160]	177 [5018]
Weights				
Net Weight lbs. [kg]	517 [235]	517 [235]	517 [235]	521 [236]
Ship Weight lbs. [kg]	532 [241]	532 [241]	532 [241]	536 [243]

See Page 14 for Notes.

[] Designates Metric Conversions



NOMINAL SIZES 3-5 TONS [10.6-17.6 kW]

Model RJNA- Series	A042CL	A042CM	A042DK	A042DL
Cooling Performance¹				CONTINUED →
Gross Cooling Capacity Btu [kW]	42,500 [12.5]	42,500 [12.5]	42,500 [12.5]	42,500 [12.5]
EER/SEER ²	11.8/13	11.8/13	11.8/13	11.8/13
Nominal CFM/ARI Rated CFM [L/s]	1400/1400 [661/661]	1400/1400 [661/661]	1400/1400 [661/661]	1400/1400 [661/661]
ARI Net Cooling Capacity Btu [kW]	40,500 [11.9]	40,500 [11.9]	40,500 [11.9]	40,500 [11.9]
Net Sensible Capacity Btu [kW]	30,124 [8.8]	30,124 [8.8]	30,124 [8.8]	30,124 [8.8]
Net Latent Capacity Btu [kW]	10,376 [3]	10,376 [3]	10,376 [3]	10,376 [3]
Net System Power kW	3.4	3.4	3.4	3.4
Heating Performance (Heat Pumps)				
Heating Temp. Btuh [kW] Rating	40,000 [11.7]	40,000 [11.7]	40,000 [11.7]	40,000 [11.7]
System Power KW/COP	3.6/3.28	3.6/3.28	3.6/3.28	3.6/3.28
Low Temp. Btuh [kW] Rating	23,200 [6.8]	23,200 [6.8]	23,200 [6.8]	23,200 [6.8]
System Power KW/COP	3.3/2.06	3.3/2.06	3.3/2.06	3.3/2.06
HSPF (Btu/Watts-hr)	7.7	7.7	7.7	7.7
Compressor				
No./Type	1/Copeland Scroll	1/Copeland Scroll	1/Copeland Scroll	1/Copeland Scroll
Outdoor Sound Rating (dB)³	83	83	83	83
Outdoor Coil—Fin Type	Louvered	Louvered	Louvered	Louvered
Tube Type	Rifled	Rifled	Rifled	Rifled
Tube Size in. [mm] OD	0.375 [9.5]	0.375 [9.5]	0.375 [9.5]	0.375 [9.5]
Face Area sq. ft. [sq. m]	16.56 [1.54]	16.56 [1.54]	16.56 [1.54]	16.56 [1.54]
Rows / FPI [FPcm]	2 / 22 [9]	2 / 22 [9]	2 / 22 [9]	2 / 22 [9]
Refrigerant Control	TX Valves	TX Valves	TX Valves	TX Valves
Indoor Coil—Fin Type	Louvered	Louvered	Louvered	Louvered
Tube Type	Rifled	Rifled	Rifled	Rifled
Tube Size in. [mm]	0.375 [9.5]	0.375 [9.5]	0.375 [9.5]	0.375 [9.5]
Face Area sq. ft. [sq. m]	5.16 [0.48]	5.16 [0.48]	5.16 [0.48]	5.16 [0.48]
Rows / FPI [FPcm]	3 / 13 [5]	3 / 13 [5]	3 / 13 [5]	3 / 13 [5]
Refrigerant Control	TX Valves	TX Valves	TX Valves	TX Valves
Drain Connection No./Size in. [mm]	1/1 [25.4]	1/1 [25.4]	1/1 [25.4]	1/1 [25.4]
Outdoor Fan—Type	Propeller	Propeller	Propeller	Propeller
No. Used/Diameter in. [mm]	1/24 [609.6]	1/24 [609.6]	1/24 [609.6]	1/24 [609.6]
Drive Type/No. Speeds	Direct/1	Direct/1	Direct/1	Direct/1
CFM [L/s]	4000 [1888]	4000 [1888]	4000 [1888]	4000 [1888]
No. Motors/HP	1 at 1/3 HP	1 at 1/3 HP	1 at 1/3 HP	1 at 1/3 HP
Motor RPM	1075	1075	1075	1075
Indoor Fan—Type	FC Centrifugal	FC Centrifugal	FC Centrifugal	FC Centrifugal
No. Used/Diameter in. [mm]	1/10x10 [254x254]	1/10x10 [254x254]	1/10x10 [254x254]	1/10x10 [254x254]
Drive Type/No. Speeds	Belt/Variable	Belt/Variable	Direct/3	Belt/Variable
No. Motors	1	1	1	1
Motor HP	1/2	3/4	1/2	1/2
Motor RPM	1725	1725	1075	1725
Motor Frame Size	56	56	48	56
Filter—Type	Disposable	Disposable	Disposable	Disposable
Furnished	Yes	Yes	Yes	Yes
(No.) Size Recommended in. [mm]	(2)1x25x16 [25x635x406]	(2)1x25x16 [25x635x406]	(2)1x25x16 [25x635x406]	(2)1x25x16 [25x635x406]
Refrigerant Charge Oz. [g]	177 [5018]	177 [5018]	177 [5018]	177 [5018]
Weights				
Net Weight lbs. [kg]	521 [236]	521 [236]	521 [236]	521 [236]
Ship Weight lbs. [kg]	536 [243]	536 [243]	536 [243]	536 [243]

See Page 14 for Notes.

[] Designates Metric Conversions



NOMINAL SIZES 3-5 TONS [10.6-17.6 kW]

Model RJNA- Series	A042DM	A042JK	A048CK	A048CL
Cooling Performance¹				CONTINUED →
Gross Cooling Capacity Btu [kW]	42,500 [12.5]	42,500 [12.5]	49,500 [14.5]	49,500 [14.5]
EER/SEER ²	11.8/13	11.8/13	11.65/13	11.65/13
Nominal CFM/ARI Rated CFM [L/s]	1400/1400 [661/661]	1400/1400 [661/661]	1600/1600 [755/755]	1600/1600 [755/755]
ARI Net Cooling Capacity Btu [kW]	40,500 [11.9]	40,500 [11.9]	47,000 [13.8]	47,000 [13.8]
Net Sensible Capacity Btu [kW]	30,124 [8.8]	30,124 [8.8]	34,700 [10.2]	34,700 [10.2]
Net Latent Capacity Btu [kW]	10,376 [3]	10,376 [3]	12,300 [3.6]	12,300 [3.6]
Net System Power kW	3.4	3.4	4	4
Heating Performance (Heat Pumps)				
Heating Temp. Btuh [kW] Rating	40,000 [11.7]	40,000 [11.7]	46,500 [13.6]	46,500 [13.6]
System Power KW/COP	3.6/3.28	3.6/3.28	3.9/3.5	3.9/3.5
Low Temp. Btuh [kW] Rating	23,200 [6.8]	23,200 [6.8]	27,800 [8.1]	27,800 [8.1]
System Power KW/COP	3.3/2.06	3.3/2.06	3.7/2.22	3.7/2.22
HSPF (Btu/Watts-hr)	7.7	7.7	7.7	7.7
Compressor				
No./Type	1/Copeland Scroll	1/Copeland Scroll	1/Copeland Scroll	1/Copeland Scroll
Outdoor Sound Rating (dB)³	83	83	83	83
Outdoor Coil—Fin Type	Louvered	Louvered	Louvered	Louvered
Tube Type	Rifled	Rifled	Rifled	Rifled
Tube Size in. [mm] OD	0.375 [9.5]	0.375 [9.5]	0.375 [9.5]	0.375 [9.5]
Face Area sq. ft. [sq. m]	16.56 [1.54]	16.56 [1.54]	16.56 [1.54]	16.56 [1.54]
Rows / FPI [FPcm]	2 / 22 [9]	2 / 22 [9]	2 / 22 [9]	2 / 22 [9]
Refrigerant Control	TX Valves	TX Valves	TX Valves	TX Valves
Indoor Coil—Fin Type	Louvered	Louvered	Louvered	Louvered
Tube Type	Rifled	Rifled	Rifled	Rifled
Tube Size in. [mm]	0.375 [9.5]	0.375 [9.5]	0.375 [9.5]	0.375 [9.5]
Face Area sq. ft. [sq. m]	5.16 [0.48]	5.16 [0.48]	5.16 [0.48]	5.16 [0.48]
Rows / FPI [FPcm]	3 / 13 [5]	3 / 13 [5]	4 / 13 [5]	4 / 13 [5]
Refrigerant Control	TX Valves	TX Valves	TX Valves	TX Valves
Drain Connection No./Size in. [mm]	1/1 [25.4]	1/1 [25.4]	1/1 [25.4]	1/1 [25.4]
Outdoor Fan—Type	Propeller	Propeller	Propeller	Propeller
No. Used/Diameter in. [mm]	1/24 [609.6]	1/24 [609.6]	1/24 [609.6]	1/24 [609.6]
Drive Type/No. Speeds	Direct/1	Direct/1	Direct/1	Direct/1
CFM [L/s]	4000 [1888]	4000 [1888]	4000 [1888]	4000 [1888]
No. Motors/HP	1 at 1/3 HP	1 at 1/3 HP	1 at 1/3 HP	1 at 1/3 HP
Motor RPM	1075	1075	1075	1075
Indoor Fan—Type	FC Centrifugal	FC Centrifugal	FC Centrifugal	FC Centrifugal
No. Used/Diameter in. [mm]	1/10x10 [254x254]	1/10x10 [254x254]	1/10x10 [254x254]	1/10x10 [254x254]
Drive Type/No. Speeds	Belt/Variable	Direct/3	Direct/3	Belt/Variable
No. Motors	1	1	1	1
Motor HP	3/4	1/2	1/2	1/2
Motor RPM	1725	1075	1075	1725
Motor Frame Size	56	48	48	56
Filter—Type	Disposable	Disposable	Disposable	Disposable
Furnished	Yes	Yes	Yes	Yes
(No.) Size Recommended in. [mm]	(2)1x25x16 [25x635x406]	(2)1x25x16 [25x635x406]	(2)1x25x16 [25x635x406]	(2)1x25x16 [25x635x406]
Refrigerant Charge Oz. [g]	177 [5018]	177 [5018]	206 [5840]	206 [5840]
Weights				
Net Weight lbs. [kg]	521 [236]	521 [236]	535 [243]	535 [243]
Ship Weight lbs. [kg]	536 [243]	536 [243]	550 [249]	550 [249]

See Page 14 for Notes.

[] Designates Metric Conversions



NOMINAL SIZES 3-5 TONS [10.6-17.6 kW]

Model RJNA- Series	A048CM	A048DK	A048DL	A048DM
Cooling Performance¹				CONTINUED →
Gross Cooling Capacity Btu [kW]	49,500 [14.5]	49,500 [14.5]	49,500 [14.5]	49,500 [14.5]
EER/SEER ²	11.65/13	11.65/13	11.65/13	11.65/13
Nominal CFM/ARI Rated CFM [L/s]	1600/1600 [755/755]	1600/1600 [755/755]	1600/1600 [755/755]	1600/1600 [755/755]
ARI Net Cooling Capacity Btu [kW]	47,000 [13.8]	47,000 [13.8]	47,000 [13.8]	47,000 [13.8]
Net Sensible Capacity Btu [kW]	34,700 [10.2]	34,700 [10.2]	34,700 [10.2]	34,700 [10.2]
Net Latent Capacity Btu [kW]	12,300 [3.6]	12,300 [3.6]	12,300 [3.6]	12,300 [3.6]
Net System Power kW	4	4	4	4
Heating Performance (Heat Pumps)				
Heating Temp. Btuh [kW] Rating	46,500 [13.6]	46,500 [13.6]	46,500 [13.6]	46,500 [13.6]
System Power KW/COP	3.9/3.5	3.9/3.5	3.9/3.5	3.9/3.5
Low Temp. Btuh [kW] Rating	27,800 [8.1]	27,800 [8.1]	27,800 [8.1]	27,800 [8.1]
System Power KW/COP	3.7/2.22	3.7/2.22	3.7/2.22	3.7/2.22
HSPF (Btu/Watts-hr)	7.7	7.7	7.7	7.7
Compressor				
No./Type	1/Copeland Scroll	1/Copeland Scroll	1/Copeland Scroll	1/Copeland Scroll
Outdoor Sound Rating (dB)³	83	83	83	83
Outdoor Coil—Fin Type	Louvered	Louvered	Louvered	Louvered
Tube Type	Rifled	Rifled	Rifled	Rifled
Tube Size in. [mm] OD	0.375 [9.5]	0.375 [9.5]	0.375 [9.5]	0.375 [9.5]
Face Area sq. ft. [sq. m]	16.56 [1.54]	16.56 [1.54]	16.56 [1.54]	16.56 [1.54]
Rows / FPI [FPcm]	2 / 22 [9]	2 / 22 [9]	2 / 22 [9]	2 / 22 [9]
Refrigerant Control	TX Valves	TX Valves	TX Valves	TX Valves
Indoor Coil—Fin Type	Louvered	Louvered	Louvered	Louvered
Tube Type	Rifled	Rifled	Rifled	Rifled
Tube Size in. [mm]	0.375 [9.5]	0.375 [9.5]	0.375 [9.5]	0.375 [9.5]
Face Area sq. ft. [sq. m]	5.16 [0.48]	5.16 [0.48]	5.16 [0.48]	5.16 [0.48]
Rows / FPI [FPcm]	4 / 13 [5]	4 / 13 [5]	4 / 13 [5]	4 / 13 [5]
Refrigerant Control	TX Valves	TX Valves	TX Valves	TX Valves
Drain Connection No./Size in. [mm]	1/1 [25.4]	1/1 [25.4]	1/1 [25.4]	1/1 [25.4]
Outdoor Fan—Type	Propeller	Propeller	Propeller	Propeller
No. Used/Diameter in. [mm]	1/24 [609.6]	1/24 [609.6]	1/24 [609.6]	1/24 [609.6]
Drive Type/No. Speeds	Direct/1	Direct/1	Direct/1	Direct/1
CFM [L/s]	4000 [1888]	4000 [1888]	4000 [1888]	4000 [1888]
No. Motors/HP	1 at 1/3 HP	1 at 1/3 HP	1 at 1/3 HP	1 at 1/3 HP
Motor RPM	1075	1075	1075	1075
Indoor Fan—Type	FC Centrifugal	FC Centrifugal	FC Centrifugal	FC Centrifugal
No. Used/Diameter in. [mm]	1/10x10 [254x254]	1/10x10 [254x254]	1/10x10 [254x254]	1/10x10 [254x254]
Drive Type/No. Speeds	Belt/Variable	Direct/3	Belt/Variable	Belt/Variable
No. Motors	1	1	1	1
Motor HP	3/4	1/2	1/2	3/4
Motor RPM	1725	1075	1725	1725
Motor Frame Size	56	48	56	56
Filter—Type	Disposable	Disposable	Disposable	Disposable
Furnished	Yes	Yes	Yes	Yes
(No.) Size Recommended in. [mm]	(2)1x25x16 [25x635x406]	(2)1x25x16 [25x635x406]	(2)1x25x16 [25x635x406]	(2)1x25x16 [25x635x406]
Refrigerant Charge Oz. [g]	206 [5840]	206 [5840]	206 [5840]	206 [5840]
Weights				
Net Weight lbs. [kg]	535 [243]	535 [243]	535 [243]	535 [243]
Ship Weight lbs. [kg]	550 [249]	550 [249]	550 [249]	550 [249]

See Page 14 for Notes.

[] Designates Metric Conversions



NOMINAL SIZES 3-5 TONS [10.6-17.6 kW]

Model RJNA- Series	A048JK	A060CK	A060CL	A060CM
Cooling Performance¹				
	CONTINUED →			
Gross Cooling Capacity Btu [kW]	49,500 [14.5]	63,500 [18.6]	64,000 [18.8]	64,000 [18.8]
EER/SEER ²	11.65/13	11.55/13	11.55/13	11.55/13
Nominal CFM/ARI Rated CFM [L/s]	1600/1600 [755/755]	2000/2000 [944/944]	2000/2000 [944/944]	2000/2000 [944/944]
ARI Net Cooling Capacity Btu [kW]	47,000 [13.8]	61,500 [18]	61,500 [18]	61,500 [18]
Net Sensible Capacity Btu [kW]	34,700 [10.2]	43,800 [12.8]	43,800 [12.8]	43,800 [12.8]
Net Latent Capacity Btu [kW]	12,300 [3.6]	17,700 [5.2]	17,700 [5.2]	17,700 [5.2]
Net System Power kW	4	5.3	5.3	5.3
Heating Performance (Heat Pumps)				
Heating Temp. Btuh [kW] Rating	46,500 [13.6]	60,500 [17.7]	60,500 [17.7]	60,500 [17.7]
System Power KW/COP	3.9/3.5	5/3.5	5/3.5	5/3.5
Low Temp. Btuh [kW] Rating	27,800 [8.1]	36,000 [10.5]	36,000 [10.5]	36,000 [10.5]
System Power KW/COP	3.7/2.22	4.4/2.3	4.4/2.3	4.4/2.3
HSPF (Btu/Watts-hr)	7.7	7.7	7.7	7.7
Compressor				
No./Type	1/Copeland Scroll	1/Copeland Scroll	1/Copeland Scroll	1/Copeland Scroll
Outdoor Sound Rating (dB)³				
	83	83	83	83
Outdoor Coil—Fin Type				
Tube Type	Louvered	Louvered	Louvered	Louvered
Tube Size in. [mm] OD	Rifled	Rifled	Rifled	Rifled
Tube Size in. [mm] OD	0.375 [9.5]	0.375 [9.5]	0.375 [9.5]	0.375 [9.5]
Face Area sq. ft. [sq. m]	16.56 [1.54]	16.56 [1.54]	16.56 [1.54]	16.56 [1.54]
Rows / FPI [FPcm]	2 / 22 [9]	2 / 22 [9]	2 / 22 [9]	2 / 22 [9]
Refrigerant Control	TX Valves	TX Valves	TX Valves	TX Valves
Indoor Coil—Fin Type				
Tube Type	Louvered	Louvered	Louvered	Louvered
Tube Type	Rifled	Rifled	Rifled	Rifled
Tube Size in. [mm]	0.375 [9.5]	0.375 [9.5]	0.375 [9.5]	0.375 [9.5]
Face Area sq. ft. [sq. m]	5.16 [0.48]	5.16 [0.48]	5.16 [0.48]	5.16 [0.48]
Rows / FPI [FPcm]	4 / 13 [5]	4 / 13 [5]	4 / 13 [5]	4 / 13 [5]
Refrigerant Control	TX Valves	TX Valves	TX Valves	TX Valves
Drain Connection No./Size in. [mm]	1/1 [25.4]	1/1 [25.4]	1/1 [25.4]	1/1 [25.4]
Outdoor Fan—Type				
Type	Propeller	Propeller	Propeller	Propeller
No. Used/Diameter in. [mm]	1/24 [609.6]	1/24 [609.6]	1/24 [609.6]	1/24 [609.6]
Drive Type/No. Speeds	Direct/1	Direct/1	Direct/1	Direct/1
CFM [L/s]	4000 [1888]	4000 [1888]	4000 [1888]	4000 [1888]
No. Motors/HP	1 at 1/3 HP	1 at 1/3 HP	1 at 1/3 HP	1 at 1/3 HP
Motor RPM	1075	1075	1075	1075
Indoor Fan—Type				
Type	FC Centrifugal	FC Centrifugal	FC Centrifugal	FC Centrifugal
No. Used/Diameter in. [mm]	1/10x10 [254x254]	1/11x9 [279.4x228.6]	1/10x10 [254x254]	1/10x10 [254x254]
Drive Type/No. Speeds	Direct/3	Direct/2	Belt/Variable	Belt/Variable
No. Motors	1	1	1	1
Motor HP	1/2	1	3/4	1
Motor RPM	1075	1100	1725	1725
Motor Frame Size	48	48	56	56
Filter—Type				
Type	Disposable	Disposable	Disposable	Disposable
Furnished	Yes	Yes	Yes	Yes
(No.) Size Recommended in. [mm]	(2)1x25x16 [25x635x406]	(2)1x25x16 [25x635x406]	(2)1x25x16 [25x635x406]	(2)1x25x16 [25x635x406]
Refrigerant Charge Oz. [g]				
	206 [5840]	184 [5216]	184 [5216]	184 [5216]
Weights				
Net Weight lbs. [kg]	535 [243]	565 [256]	565 [256]	565 [256]
Ship Weight lbs. [kg]	550 [249]	580 [263]	580 [263]	580 [263]

See Page 14 for Notes.

[] Designates Metric Conversions



NOMINAL SIZES 3-5 TONS [10.6-17.6 kW]

Model RJNA- Series	A060DL	A060DM	A060JK
Cooling Performance¹			
Gross Cooling Capacity Btu [kW]	64,000 [18.8]	64,000 [18.8]	63,500 [18.6]
EER/SEER ²	11.55/13	11.55/13	11.55/13
Nominal CFM/ARI Rated CFM [L/s]	2000/2000 [944/944]	2000/2000 [944/944]	2000/2000 [944/944]
ARI Net Cooling Capacity Btu [kW]	61,500 [18]	61,500 [18]	61,500 [18]
Net Sensible Capacity Btu [kW]	43,800 [12.8]	43,800 [12.8]	43,800 [12.8]
Net Latent Capacity Btu [kW]	17,700 [5.2]	17,700 [5.2]	17,700 [5.2]
Net System Power kW	5.3	5.3	5.3
Heating Performance (Heat Pumps)			
Heating Temp. Btuh [kW] Rating	60,500 [17.7]	60,500 [17.7]	60,500 [17.7]
System Power KW/COP	5/3.5	5/3.5	5/3.5
Low Temp. Btuh [kW] Rating	36,000 [10.5]	36,000 [10.5]	36,000 [10.5]
System Power KW/COP	4.4/2.3	4.4/2.3	4.4/2.3
HSPF (Btu/Watts-hr)	7.7	7.7	7.7
Compressor			
No./Type	1/Copeland Scroll	1/Copeland Scroll	1/Copeland Scroll
Outdoor Sound Rating (dB)³			
	83	83	83
Outdoor Coil—Fin Type			
Tube Type	Louvered	Louvered	Louvered
Tube Size in. [mm] OD	Rifled	Rifled	Rifled
Tube Size in. [mm] OD	0.375 [9.5]	0.375 [9.5]	0.375 [9.5]
Face Area sq. ft. [sq. m]	16.56 [1.54]	16.56 [1.54]	16.56 [1.54]
Rows / FPI [FPcm]	2 / 22 [9]	2 / 22 [9]	2 / 22 [9]
Refrigerant Control	TX Valves	TX Valves	TX Valves
Indoor Coil—Fin Type			
Tube Type	Louvered	Louvered	Louvered
Tube Type	Rifled	Rifled	Rifled
Tube Size in. [mm]	0.375 [9.5]	0.375 [9.5]	0.375 [9.5]
Face Area sq. ft. [sq. m]	5.16 [0.48]	5.16 [0.48]	5.16 [0.48]
Rows / FPI [FPcm]	4 / 13 [5]	4 / 13 [5]	4 / 13 [5]
Refrigerant Control	TX Valves	TX Valves	TX Valves
Drain Connection No./Size in. [mm]	1/1 [25.4]	1/1 [25.4]	1/1 [25.4]
Outdoor Fan—Type			
	Propeller	Propeller	Propeller
No. Used/Diameter in. [mm]	1/24 [609.6]	1/24 [609.6]	1/24 [609.6]
Drive Type/No. Speeds	Direct/1	Direct/1	Direct/1
CFM [L/s]	4000 [1888]	4000 [1888]	4000 [1888]
No. Motors/HP	1 at 1/3 HP	1 at 1/3 HP	1 at 1/3 HP
Motor RPM	1075	1075	1075
Indoor Fan—Type			
	FC Centrifugal	FC Centrifugal	FC Centrifugal
No. Used/Diameter in. [mm]	1/10x10 [254x254]	1/10x10 [254x254]	1/11x9 [279.4x228.6]
Drive Type/No. Speeds	Belt/Variable	Belt/Variable	Direct/2
No. Motors	1	1	1
Motor HP	3/4	1	1
Motor RPM	1725	1725	1100
Motor Frame Size	56	56	48
Filter—Type			
	Disposable	Disposable	Disposable
Furnished	Yes	Yes	Yes
(No.) Size Recommended in. [mm]	(2)1x25x16 [25x635x406]	(2)1x25x16 [25x635x406]	(2)1x25x16 [25x635x406]
Refrigerant Charge Oz. [g]			
	184 [5216]	184 [5216]	184 [5216]
Weights			
Net Weight lbs. [kg]	565 [256]	565 [256]	565 [256]
Ship Weight lbs. [kg]	580 [263]	580 [263]	580 [263]

See Page 14 for Notes.

[] Designates Metric Conversions



NOTES:

1. Cooling Performance is rated at 95° F ambient, 80° F entering dry bulb, 67° F entering wet bulb. Gross capacity does not include the effect of fan motor heat. ARI capacity is net and includes the effect of fan motor heat. Units are suitable for operation to $\pm 20\%$ of nominal cfm. Units are certified in accordance with the Unitary Air Conditioner Equipment certification program, which is based on ARI Standard 210/240 or 360.
2. EER and/or SEER are rated at ARI conditions and in accordance with DOE test procedures.
3. Outdoor Sound Rating shown is tested in accordance with ARI Standard 270.

[] Designates Metric Conversions



COOLING PERFORMANCE DATA—RJNA-A036

		ENTERING INDOOR AIR @ 80°F [26.7°C] dbE ①									
		71°F [21.7°C]			67°F [19.4°C]			63°F [17.2°C]			
		1440 [680]	1200 [566]	960 [453]	1440 [680]	1200 [566]	960 [453]	1440 [680]	1200 [566]	960 [453]	
		DR ①	.16	.13	.08	.16	.13	.08	.16	.13	.08
OUTDOOR DRY BULB TEMPERATURE °F [°C]	75 [23.9]	Total BTUH [kW]	46.4 [13.60]	44.8 [13.13]	43.1 [12.63]	43.4 [12.72]	41.9 [12.28]	40.4 [11.84]	41.1 [12.05]	39.7 [11.63]	38.2 [11.20]
		Sens BTUH [kW]	27.9 [8.18]	25.5 [7.47]	23.1 [6.77]	33.5 [9.82]	30.6 [8.97]	27.7 [8.12]	34.8 [10.20]	31.8 [9.32]	28.8 [8.44]
		Power	2.2	2.2	2.2	2.2	2.2	2.1	2.2	2.2	2.1
	80 [26.7]	Total BTUH [kW]	45.5 [13.33]	43.9 [12.87]	42.3 [12.40]	42.6 [12.48]	41.1 [12.05]	39.6 [11.61]	40.2 [11.78]	38.8 [11.37]	37.4 [10.96]
		Sens BTUH [kW]	27.3 [8.00]	25.0 [7.33]	22.6 [6.62]	32.9 [9.64]	30.0 [8.79]	27.2 [7.97]	34.2 [10.02]	31.3 [9.17]	28.3 [8.29]
		Power	2.3	2.3	2.3	2.3	2.3	2.3	2.3	2.3	2.3
	85 [29.4]	Total BTUH [kW]	44.5 [13.04]	42.9 [12.57]	41.3 [12.10]	41.5 [12.16]	40.0 [11.72]	38.6 [11.31]	39.2 [11.49]	37.8 [11.08]	36.4 [10.67]
		Sens BTUH [kW]	26.7 [7.83]	24.4 [7.15]	22.1 [6.48]	32.3 [9.47]	29.5 [8.65]	26.8 [7.85]	33.6 [9.85]	30.7 [9.00]	27.9 [8.18]
		Power	2.5	2.4	2.4	2.4	2.4	2.4	2.4	2.4	2.4
	90 [32.2]	Total BTUH [kW]	43.3 [12.69]	41.7 [12.22]	40.2 [11.78]	40.3 [11.81]	38.9 [11.40]	37.5 [10.99]	38.0 [11.14]	36.6 [10.73]	35.3 [10.35]
Sens BTUH [kW]		26.1 [7.65]	23.9 [7.00]	21.7 [6.36]	31.7 [9.29]	29.0 [8.50]	26.3 [7.71]	33.0 [9.67]	30.2 [8.85]	27.4 [8.03]	
Power		2.6	2.5	2.5	2.6	2.5	2.5	2.6	2.5	2.5	
95 [35]	Total BTUH [kW]	42.0 [12.31]	40.5 [11.87]	39.0 [11.43]	39.0 [11.43]	37.6 [11.02]	36.3 [10.64]	36.7 [10.76]	35.4 [10.37]	34.1 [9.99]	
	Sens BTUH [kW]	25.6 [7.50]	23.4 [6.86]	21.2 [6.21]	31.1 [9.11]	28.5 [8.35]	25.8 [7.56]	32.4 [9.50]	29.7 [8.70]	26.9 [7.88]	
	Power	2.7	2.6	2.6	2.7	2.6	2.6	2.7	2.6	2.6	
100 [37.8]	Total BTUH [kW]	40.7 [11.93]	39.3 [11.52]	37.8 [11.08]	37.7 [11.05]	36.4 [10.67]	35.1 [10.29]	35.4 [10.37]	34.2 [10.02]	32.9 [9.64]	
	Sens BTUH [kW]	25.0 [7.33]	22.8 [6.68]	20.7 [6.07]	30.5 [8.94]	27.9 [8.18]	25.3 [7.41]	31.9 [9.35]	29.1 [8.53]	26.4 [7.74]	
	Power	2.8	2.8	2.7	2.8	2.7	2.7	2.8	2.7	2.7	
105 [40.6]	Total BTUH [kW]	39.5 [11.58]	38.1 [11.17]	36.7 [10.76]	36.5 [10.70]	35.2 [10.32]	33.9 [9.94]	34.2 [10.02]	33.0 [9.67]	31.8 [9.32]	
	Sens BTUH [kW]	24.4 [7.15]	22.3 [6.54]	20.2 [5.92]	30.0 [8.79]	27.4 [8.03]	24.8 [7.27]	31.3 [9.17]	28.6 [8.38]	25.9 [7.59]	
	Power	2.9	2.9	2.8	2.9	2.9	2.8	2.9	2.9	2.8	
110 [43.3]	Total BTUH [kW]	38.4 [11.25]	37.0 [10.84]	35.7 [10.46]	35.4 [10.37]	34.2 [10.02]	32.9 [9.64]	33.1 [9.70]	31.9 [9.35]	30.8 [9.03]	
	Sens BTUH [kW]	23.8 [6.98]	21.8 [6.39]	19.7 [5.77]	29.3 [8.59]	26.8 [7.85]	24.3 [7.12]	30.7 [9.00]	28.0 [8.21]	25.4 [7.44]	
	Power	3.0	3.0	2.9	3.0	3.0	2.9	3.0	3.0	2.9	
115 [46.1]	Total BTUH [kW]	37.5 [10.99]	36.1 [10.58]	34.8 [10.20]	34.5 [10.11]	33.3 [9.76]	32.1 [9.41]	32.2 [9.44]	31.0 [9.09]	29.9 [8.76]	
	Sens BTUH [kW]	23.2 [6.80]	21.2 [6.21]	19.2 [5.63]	28.7 [8.41]	26.3 [7.71]	23.8 [6.98]	30.0 [8.79]	27.5 [8.06]	24.9 [7.30]	
	Power	3.1	3.1	3.0	3.1	3.1	3.0	3.1	3.1	3.0	

DR —Depression ratio
dbE—Entering air dry bulb
wbE—Entering air wet bulb

Total —Total capacity x 1000 BTUH
Sens —Sensible capacity x 1000 BTUH
Power—KW input

NOTES:
① When the entering air dry bulb is other than 80°F [27°C], adjust the sensible capacity from the table by adding [1.10 x CFM x (1 - DR) x (dbE - 80)].

HEATING PERFORMANCE DATA—RJNA-A036

		60°F [15.5°C]			70°F [21.1°C]			80°F [26.7°C]			
		1440 [680]	1200 [566]	960 [453]	1440 [680]	1200 [566]	960 [453]	1440 [680]	1200 [566]	960 [453]	
OUTDOOR DRY BULB TEMPERATURE °F [°C]	0 [-17.8]	Total BTUH [kW]	8.9 [2.61]	8.7 [2.55]	8.6 [2.52]	7.0 [2.05]	6.9 [2.02]	6.8 [1.99]	5.3 [1.55]	5.2 [1.52]	5.1 [1.49]
		Power	2.1	2.1	2.2	2.3	2.4	2.4	2.6	2.6	2.7
	5 [26.7]	Total BTUH [kW]	12.2 [3.58]	12.0 [3.52]	11.9 [3.49]	10.4 [3.05]	10.2 [2.99]	10.1 [2.96]	8.6 [2.52]	8.5 [2.49]	8.4 [2.46]
		Power	2.1	2.2	2.2	2.4	2.4	2.5	2.6	2.7	2.7
	10 [-12.2]	Total BTUH [kW]	15.5 [4.54]	15.3 [4.48]	15.1 [4.43]	13.6 [3.99]	13.5 [3.96]	13.3 [3.90]	11.9 [3.49]	11.8 [3.46]	11.6 [3.40]
		Power	2.2	2.2	2.3	2.4	2.5	2.5	2.6	2.7	2.8
	15 [32.2]	Total BTUH [kW]	18.7 [5.48]	18.5 [5.42]	18.2 [5.33]	16.9 [4.95]	16.6 [4.86]	16.4 [4.81]	15.1 [4.43]	14.9 [4.37]	14.7 [4.31]
		Power	2.2	2.3	2.3	2.4	2.5	2.6	2.7	2.8	2.8
	20 [-6.6]	Total BTUH [kW]	21.8 [6.39]	21.5 [6.30]	21.2 [6.21]	20.0 [5.86]	19.7 [5.77]	19.4 [5.69]	18.3 [5.36]	18.0 [5.28]	17.7 [5.19]
		Power	2.2	2.3	2.4	2.5	2.5	2.6	2.7	2.8	2.9
25 [37.8]	Total BTUH [kW]	24.8 [7.27]	24.5 [7.18]	24.1 [7.06]	23.0 [6.74]	22.7 [6.65]	22.3 [6.54]	21.3 [6.24]	21.0 [6.15]	20.7 [6.07]	
	Power	2.3	2.3	2.4	2.5	2.6	2.6	2.8	2.8	2.9	
30 [-1.1]	Total BTUH [kW]	27.7 [8.12]	27.3 [8.00]	26.9 [7.88]	25.9 [7.59]	25.5 [7.47]	25.1 [7.36]	24.1 [7.06]	23.8 [6.98]	23.5 [6.89]	
	Power	2.3	2.4	2.4	2.5	2.6	2.7	2.8	2.9	2.9	
35 [43.3]	Total BTUH [kW]	30.5 [8.94]	30.0 [8.79]	29.6 [8.67]	28.6 [8.38]	28.2 [8.26]	27.8 [8.15]	26.9 [7.88]	26.5 [7.77]	26.1 [7.65]	
	Power	2.4	2.4	2.5	2.6	2.6	2.7	2.8	2.9	3.0	
40 [4.4]	Total BTUH [kW]	33.0 [9.67]	32.6 [9.55]	32.1 [9.41]	31.2 [9.14]	30.7 [9.00]	30.3 [8.88]	29.5 [8.65]	29.0 [8.50]	28.6 [8.38]	
	Power	2.4	2.5	2.5	2.6	2.7	2.7	2.9	2.9	3.0	
45 [46.1]	Total BTUH [kW]	35.4 [10.37]	34.9 [10.23]	34.4 [10.08]	33.6 [9.85]	33.1 [9.70]	32.6 [9.55]	31.9 [9.35]	31.4 [9.20]	31.0 [9.09]	
	Power	2.4	2.5	2.6	2.7	2.7	2.8	2.9	3.0	3.1	
50 [10]	Total BTUH [kW]	37.6 [11.02]	37.1 [10.87]	36.6 [10.73]	35.8 [10.49]	35.3 [10.35]	34.8 [10.20]	34.1 [9.99]	33.6 [9.85]	33.1 [9.70]	
	Power	2.5	2.5	2.6	2.7	2.8	2.8	2.9	3.0	3.1	

IDB—Indoor air dry bulb

[] Designates Metric Conversions



COOLING PERFORMANCE DATA—RJNA-A042

		ENTERING INDOOR AIR @ 80°F [26.7°C] dbE ①									
		71°F [21.7°C]			67°F [19.4°C]			63°F [17.2°C]			
wbE		1680 [793]	1400 [661]	1120 [529]	1680 [793]	1400 [661]	1120 [529]	1680 [793]	1400 [661]	1120 [529]	
CFM [L/s]		1680 [793]	1400 [661]	1120 [529]	1680 [793]	1400 [661]	1120 [529]	1680 [793]	1400 [661]	1120 [529]	
DR ①		.18	.15	.11	.18	.15	.11	.18	.15	.11	
OUTDOOR DRY BULB TEMPERATURE °F [°C]	75 [23.9]	Total BTUH [kW] Sens BTUH [kW] Power	50.3 [14.74] 30.8 [9.03] 2.3	48.5 [14.21] 28.2 [8.26] 2.3	46.8 [13.72] 25.6 [7.50] 2.2	47.6 [13.95] 37.2 [10.90] 2.3	46.0 [13.48] 34.0 [9.96] 2.3	44.3 [12.98] 30.8 [9.03] 2.2	45.0 [13.19] 38.6 [11.31] 2.3	43.4 [12.72] 35.3 [10.35] 2.3	41.9 [12.28] 32.0 [9.38] 2.2
	80 [26.7]	Total BTUH [kW] Sens BTUH [kW] Power	50.3 [14.74] 30.8 [9.03] 2.4	48.5 [14.21] 28.1 [8.24] 2.4	46.8 [13.72] 25.5 [7.47] 2.4	47.7 [13.98] 37.1 [10.87] 2.4	46.0 [13.48] 33.9 [9.94] 2.4	44.3 [12.98] 30.8 [9.03] 2.4	45.1 [13.22] 38.5 [11.28] 2.4	43.5 [12.75] 35.2 [10.32] 2.4	41.9 [12.28] 31.9 [9.35] 2.4
	85 [29.4]	Total BTUH [kW] Sens BTUH [kW] Power	49.6 [14.54] 30.3 [8.88] 2.6	47.8 [14.01] 27.7 [8.12] 2.5	46.1 [13.51] 25.1 [7.36] 2.5	46.9 [13.75] 36.6 [10.73] 2.6	45.3 [13.28] 33.5 [9.82] 2.5	43.6 [12.78] 30.4 [8.91] 2.5	44.3 [12.98] 38.1 [11.17] 2.6	42.8 [12.54] 34.8 [10.20] 2.5	41.2 [12.07] 31.6 [9.26] 2.5
	90 [32.2]	Total BTUH [kW] Sens BTUH [kW] Power	48.3 [14.16] 29.6 [8.67] 2.7	46.6 [13.66] 27.1 [7.94] 2.7	44.9 [13.16] 24.5 [7.18] 2.6	45.6 [13.36] 35.9 [10.52] 2.7	44.0 [12.90] 32.9 [9.64] 2.7	42.4 [12.43] 29.8 [8.73] 2.6	43.0 [12.60] 37.4 [10.96] 2.7	41.5 [12.16] 34.2 [10.02] 2.7	40.0 [11.72] 31.0 [9.09] 2.6
	95 [35]	Total BTUH [kW] Sens BTUH [kW] Power	46.7 [13.69] 28.8 [8.44] 2.9	45.0 [13.19] 26.3 [7.71] 2.8	43.4 [12.72] 23.9 [7.00] 2.8	44.0 [12.90] 35.1 [10.29] 2.9	42.5 [12.46] 32.1 [9.41] 2.8	40.9 [11.99] 29.1 [8.53] 2.8	41.4 [12.13] 36.5 [10.70] 2.9	40.0 [11.72] 33.4 [9.79] 2.8	38.5 [11.28] 30.3 [8.88] 2.8
	100 [37.8]	Total BTUH [kW] Sens BTUH [kW] Power	45.0 [13.19] 27.9 [8.18] 3.0	43.4 [12.72] 25.5 [7.47] 3.0	41.8 [12.25] 23.1 [6.77] 2.9	42.4 [12.43] 34.3 [10.05] 3.0	40.9 [11.99] 31.3 [9.17] 3.0	39.4 [11.55] 28.4 [8.32] 2.9	39.8 [11.66] 35.7 [10.46] 3.0	38.4 [11.25] 32.6 [9.55] 3.0	37.0 [10.84] 29.6 [8.67] 2.9
	105 [40.6]	Total BTUH [kW] Sens BTUH [kW] Power	43.5 [12.75] 27.2 [7.97] 3.1	42.0 [12.31] 24.9 [7.30] 3.1	40.4 [11.84] 22.5 [6.59] 3.0	40.8 [11.96] 33.5 [9.82] 3.1	39.4 [11.55] 30.7 [9.00] 3.1	38.0 [11.14] 27.8 [8.15] 3.0	38.2 [11.20] 34.9 [10.23] 3.1	36.9 [10.81] 32.0 [9.38] 3.1	35.6 [10.43] 29.0 [8.50] 3.0
	110 [43.3]	Total BTUH [kW] Sens BTUH [kW] Power	42.4 [12.43] 26.7 [7.83] 3.3	40.9 [11.99] 24.4 [7.15] 3.2	39.4 [11.55] 22.1 [6.48] 3.2	39.7 [11.63] 33.0 [9.67] 3.3	38.3 [11.22] 30.2 [8.85] 3.2	36.9 [10.81] 27.4 [8.03] 3.2	37.1 [10.87] 34.4 [10.08] 3.3	35.8 [10.49] 31.5 [9.23] 3.2	34.5 [10.11] 28.6 [8.38] 3.2
	115 [46.1]	Total BTUH [kW] Sens BTUH [kW] Power	41.9 [12.28] 26.5 [7.77] 3.4	40.4 [11.84] 24.3 [7.12] 3.4	39.0 [11.43] 22.0 [6.45] 3.3	39.3 [11.52] 32.9 [9.64] 3.4	37.9 [11.11] 30.1 [8.82] 3.4	36.5 [10.70] 27.3 [8.00] 3.3	36.7 [10.76] 34.3 [10.05] 3.4	35.4 [10.37] 31.4 [9.20] 3.4	34.1 [9.99] 28.4 [8.32] 3.3

DR —Depression ratio
dbE—Entering air dry bulb
wbE—Entering air wet bulb

Total —Total capacity x 1000 BTUH
Sens —Sensible capacity x 1000 BTUH
Power—KW input

NOTES:

① When the entering air dry bulb is other than 80°F [27°C], adjust the sensible capacity from the table by adding [1.10 x CFM x (1 - DR) x (dbE - 80)].

HEATING PERFORMANCE DATA—RJNA-A042

		60°F [15.5°C]			70°F [21.1°C]			80°F [26.7°C]			
IDB		1680 [793]	1400 [661]	1120 [529]	1680 [793]	1400 [661]	1120 [529]	1680 [793]	1400 [661]	1120 [529]	
CFM [L/s]		1680 [793]	1400 [661]	1120 [529]	1680 [793]	1400 [661]	1120 [529]	1680 [793]	1400 [661]	1120 [529]	
OUTDOOR DRY BULB TEMPERATURE °F [°C]	0 [-17.8]	Total BTUH [kW] Power	9.5 [2.78] 2.0	9.4 [2.75] 2.1	9.3 [2.73] 2.1	8.7 [2.55] 2.3	8.6 [2.52] 2.4	8.5 [2.49] 2.5	7.1 [2.08] 2.6	7.0 [2.05] 2.7	6.9 [2.02] 2.7
	5 [26.7]	Total BTUH [kW] Power	13.9 [4.07] 2.1	13.7 [4.02] 2.1	13.5 [3.96] 2.2	13.1 [3.84] 2.4	12.9 [3.78] 2.5	12.7 [3.72] 2.5	11.5 [3.37] 2.7	11.4 [3.34] 2.7	11.2 [3.28] 2.8
	10 [-12.2]	Total BTUH [kW] Power	17.1 [5.01] 2.2	16.9 [4.95] 2.2	16.7 [4.89] 2.3	16.3 [4.78] 2.5	16.1 [4.72] 2.5	15.9 [4.66] 2.6	14.8 [4.34] 2.7	14.6 [4.28] 2.8	14.3 [4.19] 2.9
	15 [32.2]	Total BTUH [kW] Power	19.5 [5.71] 2.2	19.3 [5.66] 2.3	19.0 [5.57] 2.3	18.7 [5.48] 2.5	18.4 [5.39] 2.6	18.2 [5.33] 2.7	17.2 [5.04] 2.8	16.9 [4.95] 2.9	16.7 [4.89] 2.9
	20 [-6.6]	Total BTUH [kW] Power	21.5 [6.30] 2.3	21.2 [6.21] 2.3	20.9 [6.13] 2.4	20.6 [6.04] 2.6	20.4 [5.98] 2.7	20.1 [5.89] 2.7	19.1 [5.60] 2.9	18.8 [5.51] 2.9	18.6 [5.45] 3.0
	25 [37.8]	Total BTUH [kW] Power	23.3 [6.83] 2.3	23.0 [6.74] 2.4	22.7 [6.65] 2.5	22.5 [6.59] 2.7	22.2 [6.51] 2.7	21.8 [6.39] 2.8	20.9 [6.13] 2.9	20.6 [6.04] 3.0	20.3 [5.95] 3.1
	30 [-1.1]	Total BTUH [kW] Power	25.4 [7.44] 2.4	25.1 [7.36] 2.5	24.7 [7.24] 2.5	24.6 [7.21] 2.7	24.2 [7.09] 2.8	23.9 [7.00] 2.9	23.0 [6.74] 3.0	22.7 [6.65] 3.1	22.4 [6.56] 3.2
	35 [43.3]	Total BTUH [kW] Power	28.1 [8.24] 2.5	27.8 [8.15] 2.5	27.4 [8.03] 2.6	27.3 [8.00] 2.8	26.9 [7.88] 2.9	26.5 [7.77] 2.9	25.8 [7.56] 3.1	25.4 [7.44] 3.1	25.0 [7.33] 3.2
	40 [4.4]	Total BTUH [kW] Power	31.9 [9.35] 2.5	31.4 [9.20] 2.6	31.0 [9.09] 2.7	31.0 [9.09] 2.9	30.6 [8.97] 2.9	30.2 [8.85] 3.0	29.5 [8.65] 3.1	29.1 [8.53] 3.2	28.7 [8.41] 3.3
	45 [46.1]	Total BTUH [kW] Power	36.9 [10.81] 2.6	36.4 [10.67] 2.7	35.9 [10.52] 2.7	36.1 [10.58] 2.9	35.6 [10.43] 3.0	35.1 [10.29] 3.1	34.6 [10.14] 3.2	34.1 [9.99] 3.3	33.6 [9.85] 3.4
50 [10]	Total BTUH [kW] Power	43.7 [12.81] 2.7	43.1 [12.63] 2.7	42.5 [12.46] 2.8	42.9 [12.57] 3.0	42.3 [12.40] 3.1	41.7 [12.22] 3.1	41.3 [12.10] 3.3	40.8 [11.96] 3.3	40.2 [11.78] 3.4	

IDB—Indoor air dry bulb

[] Designates Metric Conversions



SYSTEMS PERFORMANCE—RJNA- SERIES

COOLING PERFORMANCE DATA—RJNA-A048

		ENTERING INDOOR AIR @ 80°F [26.7°C] dbE ①									
wbE		71°F [21.7°C]			67°F [19.4°C]			63°F [17.2°C]			
CFM [L/s]		1920 [906]	1600 [755]	1280 [604]	1920 [906]	1600 [755]	1280 [604]	1920 [906]	1600 [755]	1280 [604]	
DR ①		.18	.15	.11	.18	.15	.11	.18	.15	.11	
OUTDOOR DRY BULB TEMPERATURE °F [°C]	75 [23.9]	Total BTUH [kW] Sens BTUH [kW] Power	59.9 [17.55] 35.6 [10.43] 2.7	57.8 [16.94] 32.6 [9.55] 2.6	55.7 [16.32] 29.5 [8.65] 2.6	56.2 [16.47] 43.0 [12.60] 2.7	54.3 [15.91] 39.3 [11.52] 2.7	52.3 [15.33] 35.6 [10.43] 2.6	53.5 [15.68] 46.0 [13.48] 2.7	51.7 [15.15] 42.0 [12.31] 2.6	49.8 [14.59] 38.1 [11.17] 2.6
	80 [26.7]	Total BTUH [kW] Sens BTUH [kW] Power	58.7 [17.20] 35.1 [10.29] 2.9	56.6 [16.59] 32.1 [9.41] 2.8	54.5 [15.97] 29.1 [8.53] 2.8	55.0 [16.12] 42.5 [12.46] 2.9	53.1 [15.56] 38.8 [11.37] 2.8	51.2 [15.01] 35.2 [10.32] 2.8	52.3 [15.33] 45.5 [13.33] 2.9	50.5 [14.80] 41.6 [12.19] 2.8	48.7 [14.27] 37.7 [11.05] 2.8
	85 [29.4]	Total BTUH [kW] Sens BTUH [kW] Power	57.4 [16.82] 34.6 [10.14] 3.0	55.4 [16.24] 31.6 [9.26] 3.0	53.4 [15.65] 28.7 [8.41] 3.0	53.8 [15.77] 41.9 [12.28] 3.1	51.9 [15.21] 38.3 [11.22] 3.0	50.0 [14.65] 34.7 [10.17] 3.0	51.1 [14.98] 44.9 [13.16] 3.0	49.3 [14.45] 41.1 [12.05] 3.0	47.5 [13.92] 37.2 [10.90] 2.9
	90 [32.2]	Total BTUH [kW] Sens BTUH [kW] Power	56.1 [16.44] 33.9 [9.94] 3.2	54.1 [15.86] 31.0 [9.09] 3.2	52.1 [15.27] 28.1 [8.24] 3.1	52.5 [15.39] 41.2 [12.07] 3.2	50.6 [14.83] 37.7 [11.05] 3.2	48.8 [14.30] 34.2 [10.02] 3.1	49.8 [14.59] 44.2 [12.95] 3.2	48.0 [14.07] 40.4 [11.84] 3.2	46.3 [13.57] 36.7 [10.76] 3.1
	95 [35]	Total BTUH [kW] Sens BTUH [kW] Power	54.7 [16.03] 33.1 [9.70] 3.4	52.8 [15.47] 30.3 [8.88] 3.4	50.9 [14.92] 27.5 [8.06] 3.3	51.1 [14.98] 40.4 [11.84] 3.4	49.3 [14.45] 37.0 [10.84] 3.4	47.5 [13.92] 33.5 [9.82] 3.3	48.4 [14.18] 43.5 [12.75] 3.4	46.7 [13.69] 39.7 [11.63] 3.3	45.0 [13.19] 36.0 [10.55] 3.3
	100 [37.8]	Total BTUH [kW] Sens BTUH [kW] Power	53.3 [15.62] 32.3 [9.47] 3.6	51.4 [15.06] 29.6 [8.67] 3.5	49.5 [14.51] 26.8 [7.85] 3.5	49.6 [14.54] 39.6 [11.61] 3.6	47.9 [14.04] 36.3 [10.64] 3.5	46.2 [13.54] 32.9 [9.64] 3.5	46.9 [13.75] 42.7 [12.51] 3.6	45.3 [13.28] 39.0 [11.43] 3.5	43.6 [12.78] 35.4 [10.37] 3.5
	105 [40.6]	Total BTUH [kW] Sens BTUH [kW] Power	51.7 [15.15] 31.5 [9.23] 3.8	49.9 [14.62] 28.8 [8.44] 3.7	48.1 [14.10] 26.1 [7.65] 3.6	48.1 [14.10] 38.8 [11.37] 3.8	46.4 [13.60] 35.5 [10.40] 3.7	44.7 [13.10] 32.2 [9.44] 3.7	45.4 [13.31] 41.9 [12.28] 3.7	43.8 [12.84] 38.3 [11.22] 3.7	42.2 [12.37] 34.7 [10.17] 3.6
	110 [43.3]	Total BTUH [kW] Sens BTUH [kW] Power	50.2 [14.71] 30.7 [9.00] 3.9	48.4 [14.18] 28.1 [8.24] 3.9	46.6 [13.66] 25.5 [7.47] 3.8	46.5 [13.63] 38.0 [11.14] 4.0	44.9 [13.16] 34.8 [10.20] 3.9	43.3 [12.69] 31.5 [9.23] 3.8	43.8 [12.84] 41.0 [12.02] 3.9	42.3 [12.40] 37.5 [10.99] 3.9	40.8 [11.96] 34.0 [9.96] 3.8
	115 [46.1]	Total BTUH [kW] Sens BTUH [kW] Power	48.5 [14.21] 29.9 [8.76] 4.1	46.8 [13.72] 27.4 [8.03] 4.0	45.1 [13.22] 24.8 [7.27] 4.0	44.9 [13.16] 37.2 [10.90] 4.1	43.3 [12.69] 34.1 [9.99] 4.1	41.7 [12.22] 30.9 [9.06] 4.0	42.2 [12.37] 40.3 [11.81] 4.1	40.7 [11.93] 36.8 [10.79] 4.0	39.2 [11.49] 33.4 [9.79] 4.0

DR —Depression ratio
dbE—Entering air dry bulb
wbE—Entering air wet bulb

Total —Total capacity x 1000 BTUH
Sens —Sensible capacity x 1000 BTUH
Power—KW input

NOTES:

① When the entering air dry bulb is other than 80°F [27°C], adjust the sensible capacity from the table by adding [1.10 x CFM x (1 - DR) x (dbE - 80)].

HEATING PERFORMANCE DATA—RJNA-A048

		60°F [15.5°C]			70°F [21.1°C]			80°F [26.7°C]			
IDB		1440 [680]	1200 [566]	960 [453]	1440 [680]	1200 [566]	960 [453]	1440 [680]	1200 [566]	960 [453]	
CFM [L/s]											
OUTDOOR DRY BULB TEMPERATURE °F [°C]	0 [-17.8]	Total BTUH [kW] Power	13.5 [3.96] 2.4	13.3 [3.90] 2.4	13.1 [3.84] 2.5	13.0 [3.81] 2.7	12.8 [3.75] 2.8	12.6 [3.69] 2.8	12.0 [3.52] 3.1	11.8 [3.46] 3.1	11.6 [3.40] 3.2
	5 [26.7]	Total BTUH [kW] Power	17.3 [5.07] 2.4	17.1 [5.01] 2.5	16.8 [4.92] 2.6	16.8 [4.92] 2.8	16.5 [4.84] 2.8	16.3 [4.78] 2.9	15.8 [4.63] 3.1	15.5 [4.54] 3.2	15.3 [4.48] 3.3
	10 [12.2]	Total BTUH [kW] Power	21.0 [6.15] 2.5	20.7 [6.07] 2.5	20.4 [5.98] 2.6	20.5 [6.01] 2.8	20.2 [5.92] 2.9	19.9 [5.83] 2.9	19.5 [5.71] 3.2	19.2 [5.63] 3.2	18.9 [5.54] 3.3
	15 [32.2]	Total BTUH [kW] Power	24.6 [7.21] 2.5	24.3 [7.12] 2.6	23.9 [7.00] 2.6	24.1 [7.06] 2.8	23.7 [6.95] 2.9	23.4 [6.86] 3.0	23.1 [6.77] 3.2	22.7 [6.65] 3.3	22.4 [6.56] 3.4
	20 [-6.6]	Total BTUH [kW] Power	28.1 [8.24] 2.6	27.7 [8.12] 2.6	27.3 [8.00] 2.7	27.6 [8.09] 2.9	27.2 [7.97] 3.0	26.8 [7.85] 3.0	26.6 [7.80] 3.3	26.2 [7.68] 3.3	25.8 [7.56] 3.4
	25 [37.8]	Total BTUH [kW] Power	31.5 [9.23] 2.6	31.1 [9.11] 2.7	30.6 [8.97] 2.7	31.0 [9.09] 2.9	30.6 [8.97] 3.0	30.1 [8.82] 3.1	30.0 [8.79] 3.3	29.6 [8.67] 3.4	29.1 [8.53] 3.5
	30 [-1.1]	Total BTUH [kW] Power	34.8 [10.20] 2.7	34.3 [10.05] 2.7	33.9 [9.94] 2.8	34.3 [10.05] 3.0	33.8 [9.91] 3.1	33.3 [9.76] 3.1	33.3 [9.76] 3.3	32.8 [9.61] 3.4	32.4 [9.50] 3.5
	35 [43.3]	Total BTUH [kW] Power	38.1 [11.17] 2.7	37.5 [10.99] 2.8	37.0 [10.84] 2.8	37.5 [10.99] 3.0	37.0 [10.84] 3.1	36.5 [10.70] 3.2	36.5 [10.70] 3.4	36.0 [10.55] 3.5	35.5 [10.40] 3.6
	40 [4.4]	Total BTUH [kW] Power	41.2 [12.07] 2.8	40.6 [11.90] 2.8	40.0 [11.72] 2.9	40.7 [11.93] 3.1	40.1 [11.75] 3.2	39.5 [11.58] 3.2	39.7 [11.63] 3.4	39.1 [11.46] 3.5	38.5 [11.28] 3.6
	45 [46.1]	Total BTUH [kW] Power	44.2 [12.95] 2.8	43.6 [12.78] 2.9	43.0 [12.60] 2.9	43.7 [12.81] 3.1	43.1 [12.63] 3.2	42.5 [12.46] 3.3	42.7 [12.51] 3.5	42.1 [12.34] 3.6	41.5 [12.16] 3.7
50 [10]	Total BTUH [kW] Power	47.2 [13.83] 2.8	46.5 [13.63] 2.9	45.8 [13.42] 3.0	46.6 [13.66] 3.2	46.0 [13.48] 3.3	45.3 [13.28] 3.3	45.6 [13.36] 3.5	45.0 [13.19] 3.6	44.3 [12.98] 3.7	

IDB—Indoor air dry bulb

[] Designates Metric Conversions



COOLING PERFORMANCE DATA—RJNA-A060

		ENTERING INDOOR AIR @ 80°F [26.7°C] dbE ①									
		71°F [21.7°C]			67°F [19.4°C]			63°F [17.2°C]			
		2500 [1180]	2000 [944]	1500 [708]	2500 [1180]	2000 [944]	1500 [708]	2500 [1180]	2000 [944]	1500 [708]	
		CFM [L/s]									
		DR ①	.22	.19	.15	.22	.19	.15	.22	.19	.15
OUTDOOR DRY BULB TEMPERATURE °F [°C]	75 [23.9]	Total BTUH [kW] Sens BTUH [kW] Power	74.9 [21.95] 44.2 [12.95] 4.0	71.6 [20.98] 39.6 [11.61] 3.9	68.4 [20.05] 35.0 [10.26] 3.8	71.3 [20.90] 53.4 [15.65] 3.9	68.2 [19.99] 47.8 [14.01] 3.9	65.1 [19.08] 42.3 [12.40] 3.8	67.6 [19.81] 57.5 [16.85] 3.9	64.6 [18.93] 51.5 [15.09] 3.8	61.7 [18.08] 45.5 [13.33] 3.8
	80 [26.7]	Total BTUH [kW] Sens BTUH [kW] Power	74.4 [21.80] 44.3 [12.98] 4.2	71.2 [20.87] 39.7 [11.63] 4.1	67.9 [19.90] 35.0 [10.26] 4.1	70.8 [20.75] 53.5 [15.68] 4.2	67.7 [19.84] 47.9 [14.04] 4.1	64.6 [18.93] 42.3 [12.40] 4.0	67.1 [19.67] 57.6 [16.88] 4.1	64.2 [18.82] 51.5 [15.09] 4.1	61.2 [17.94] 45.5 [13.33] 4.0
	85 [29.4]	Total BTUH [kW] Sens BTUH [kW] Power	73.3 [21.48] 43.8 [12.84] 4.5	70.2 [20.57] 39.2 [11.49] 4.4	67.0 [19.64] 34.7 [10.17] 4.3	69.7 [20.43] 53.0 [15.53] 4.4	66.7 [19.55] 47.5 [13.92] 4.3	63.6 [18.64] 41.9 [12.28] 4.2	66.0 [19.34] 57.1 [16.73] 4.4	63.1 [18.49] 51.1 [14.98] 4.3	60.3 [17.67] 45.2 [13.25] 4.2
	90 [32.2]	Total BTUH [kW] Sens BTUH [kW] Power	71.8 [21.04] 43.0 [12.60] 4.7	68.7 [20.13] 38.5 [11.28] 4.6	65.6 [19.23] 34.0 [9.96] 4.5	68.2 [19.99] 52.2 [15.30] 4.6	65.2 [19.11] 46.7 [13.69] 4.5	62.3 [18.26] 41.3 [12.10] 4.4	64.5 [18.90] 56.3 [16.50] 4.6	61.7 [18.08] 50.4 [14.77] 4.5	58.9 [17.26] 44.5 [13.04] 4.4
	95 [35]	Total BTUH [kW] Sens BTUH [kW] Power	70.0 [20.51] 41.9 [12.28] 4.9	67.0 [19.64] 37.5 [10.99] 4.8	63.9 [18.73] 33.2 [9.73] 4.7	66.4 [19.46] 51.1 [14.98] 4.8	63.5 [18.61] 45.8 [13.42] 4.7	60.6 [17.76] 40.4 [11.84] 4.6	62.7 [18.38] 55.2 [16.18] 4.8	60.0 [17.58] 49.4 [14.48] 4.7	57.2 [16.76] 43.7 [12.81] 4.6
	100 [37.8]	Total BTUH [kW] Sens BTUH [kW] Power	68.0 [19.93] 40.7 [11.93] 5.1	65.1 [19.08] 36.5 [10.70] 5.0	62.1 [18.20] 32.2 [9.44] 4.9	64.4 [18.87] 49.9 [14.62] 5.1	61.6 [18.05] 44.7 [13.10] 5.0	58.8 [17.23] 39.5 [11.58] 4.9	60.7 [17.79] 54.0 [15.83] 5.0	58.1 [17.03] 48.4 [14.18] 4.9	55.4 [16.24] 42.7 [12.51] 4.8
	105 [40.6]	Total BTUH [kW] Sens BTUH [kW] Power	66.0 [19.34] 39.6 [11.61] 5.4	63.1 [18.49] 35.4 [10.37] 5.3	60.3 [17.67] 31.3 [9.17] 5.1	62.4 [18.29] 48.8 [14.30] 5.3	59.7 [17.50] 43.7 [12.81] 5.2	56.9 [16.68] 38.6 [11.31] 5.1	58.7 [17.20] 52.8 [15.47] 5.3	56.1 [16.44] 47.3 [13.86] 5.2	53.6 [15.71] 41.8 [12.25] 5.1
	110 [43.3]	Total BTUH [kW] Sens BTUH [kW] Power	64.1 [18.79] 38.5 [11.28] 5.6	61.3 [17.97] 34.5 [10.11] 5.5	58.5 [17.14] 30.5 [8.94] 5.4	60.5 [17.73] 47.7 [13.98] 5.5	57.8 [16.94] 42.7 [12.51] 5.4	55.2 [16.18] 37.8 [11.08] 5.3	56.8 [16.65] 51.8 [15.18] 5.5	54.3 [15.91] 46.4 [13.60] 5.4	51.8 [15.18] 41.0 [12.02] 5.3
	115 [46.1]	Total BTUH [kW] Sens BTUH [kW] Power	62.4 [18.29] 37.8 [11.08] 5.8	59.7 [17.50] 33.8 [9.91] 5.7	57.0 [16.71] 29.9 [8.76] 5.6	58.8 [17.23] 47.0 [13.77] 5.7	56.2 [16.47] 42.1 [12.34] 5.6	53.7 [15.74] 37.2 [10.90] 5.5	55.1 [16.15] 51.1 [14.98] 5.7	52.7 [15.44] 45.7 [13.39] 5.6	50.3 [14.74] 40.4 [11.84] 5.5

DR —Depression ratio
dbE—Entering air dry bulb
wbE—Entering air wet bulb

Total —Total capacity x 1000 BTUH
Sens —Sensible capacity x 1000 BTUH
Power—KW input

NOTES:

① When the entering air dry bulb is other than 80°F [27°C], adjust the sensible capacity from the table by adding [1.10 x CFM x (1 - DR) x (dbE - 80)].

HEATING PERFORMANCE DATA—RJNA-A060

		IDB	60°F [15.5°C]			70°F [21.1°C]			80°F [26.7°C]		
		CFM [L/s]	2500 [1180]	2000 [944]	1500 [708]	2500 [1180]	2000 [944]	1500 [708]	2500 [1180]	2000 [944]	1500 [708]
OUTDOOR DRY BULB TEMPERATURE °F [°C]	0 [-17.8]	Total BTUH [kW] Power	16.6 [4.86] 3.0	16.3 [4.78] 3.1	16.0 [4.69] 3.2	15.0 [4.40] 3.4	14.7 [4.31] 3.5	14.4 [4.22] 3.7	14.9 [4.37] 3.9	14.6 [4.28] 4.1	14.4 [4.22] 4.2
	5 [26.7]	Total BTUH [kW] Power	22.7 [6.65] 3.1	22.3 [6.54] 3.2	21.9 [6.42] 3.3	21.1 [6.18] 3.5	20.7 [6.07] 3.6	20.3 [5.95] 3.7	21.0 [6.15] 4.0	20.6 [6.04] 4.2	20.3 [5.95] 4.3
	10 [-12.2]	Total BTUH [kW] Power	28.5 [8.35] 3.2	28.0 [8.21] 3.3	27.5 [8.06] 3.4	26.9 [7.88] 3.6	26.4 [7.74] 3.7	25.9 [7.59] 3.8	26.8 [7.85] 4.1	26.3 [7.71] 4.2	25.9 [7.59] 4.4
	15 [32.2]	Total BTUH [kW] Power	34.0 [9.96] 3.3	33.4 [9.79] 3.4	32.8 [9.61] 3.5	32.3 [9.47] 3.7	31.8 [9.32] 3.8	31.2 [9.14] 3.9	32.3 [9.47] 4.2	31.7 [9.29] 4.3	31.1 [9.11] 4.5
	20 [-6.6]	Total BTUH [kW] Power	39.1 [11.46] 3.4	38.4 [11.25] 3.5	37.7 [11.05] 3.6	37.5 [10.99] 3.8	36.8 [10.79] 3.9	36.2 [10.61] 4.0	37.4 [10.96] 4.3	36.8 [10.79] 4.4	36.1 [10.58] 4.6
	25 [37.8]	Total BTUH [kW] Power	43.9 [12.87] 3.5	43.2 [12.66] 3.6	42.4 [12.43] 3.7	42.3 [12.40] 3.9	41.5 [12.16] 4.0	40.8 [11.96] 4.1	42.2 [12.37] 4.4	41.5 [12.16] 4.5	40.7 [11.93] 4.7
	30 [-1.1]	Total BTUH [kW] Power	48.4 [14.18] 3.5	47.6 [13.95] 3.7	46.7 [13.69] 3.8	46.8 [13.72] 4.0	46.0 [13.48] 4.1	45.1 [13.22] 4.2	46.7 [13.69] 4.5	45.9 [13.45] 4.6	45.1 [13.22] 4.8
	35 [43.3]	Total BTUH [kW] Power	52.6 [15.42] 3.6	51.7 [15.15] 3.7	50.7 [14.86] 3.9	50.9 [14.92] 4.0	50.1 [14.68] 4.2	49.2 [14.42] 4.3	50.9 [14.92] 4.6	50.0 [14.65] 4.7	49.1 [14.39] 4.8
	40 [4.4]	Total BTUH [kW] Power	56.4 [16.53] 3.7	55.4 [16.24] 3.8	54.5 [15.97] 4.0	54.8 [16.06] 4.1	53.8 [15.77] 4.3	52.9 [15.50] 4.4	54.7 [16.03] 4.6	53.8 [15.77] 4.8	52.8 [15.47] 4.9
	45 [46.1]	Total BTUH [kW] Power	59.9 [17.55] 3.8	58.9 [17.26] 3.9	57.8 [16.94] 4.1	58.3 [17.09] 4.2	57.3 [16.79] 4.4	56.3 [16.50] 4.5	58.2 [17.06] 4.7	57.2 [16.76] 4.9	56.2 [16.47] 5.0
50 [10]	Total BTUH [kW] Power	63.1 [18.49] 3.9	62.0 [18.17] 4.0	60.9 [17.85] 4.1	61.5 [18.02] 4.3	60.4 [17.70] 4.5	59.3 [17.38] 4.6	61.4 [17.99] 4.8	60.4 [17.70] 5.0	59.3 [17.38] 5.1	

IDB—Indoor air dry bulb

[] Designates Metric Conversions



DIRECT-DRIVE BLOWER 208 AIRFLOW PERFORMANCE

Nominal Cooling Capacity Tons [kW]	Factory Motor Speed	Manufacturer Recommended Air-Flow Range (Min/Max) CFM	Blower Size/ Motor HP [w] & # of Speeds	Motor Speed	CFM [L/s] Air Delivery/RPM/Watts—208 Volts Side Discharge—Wet Coil													
					External Static Pressure—Inches W.C. [kPa]													
					0.1 [0.02]	0.2 [0.05]	0.3 [0.07]	0.4 [0.10]	0.5 [0.12]	0.6 [0.15]	0.7 [0.17]	0.8 [0.20]	0.9 [0.22]	1.0 [0.25]				
3.0 [10.55]	Low	1050/1350	10x10 1/2 HP [373] 3 Speed Motor	Low	1275 [602]	1235 [583]	1210 [571]	1181 [557]	1132 [534]	1045 [493]								
				Watts	493	481	468	452	431	402								
3.5 [12.30]	Low	1225/1575	10x10 1/2 HP [373] 3 Speed Motor	Med	1397 [659]	1344 [634]	1319 [622]	1297 [612]	1249 [589]	1147 [541]								
				Watts	561	537	522	508	488	454								
4.0 [14.07]	Low	1400/1800	10x10 1/2 HP [373] 3 Speed Motor	High	1766 [833]	1719 [811]	1671 [789]	1617 [763]	1550 [732]	1465 [691]								
				Watts	735	719	697	671	639	603								
5.0 [17.6]	Low	1750/2250	11x9 1 HP [746] 2 Speed Motor	Low	1974 [932]	1935 [913]	1897 [895]	1860 [878]	1823 [860]	1788 [844]	1753 [827]	1719 [811]	1686 [796]					
				Watts	490	505	510	545	555	575	600	605	625					
				High	2185 [1031]	2148 [1014]	2112 [997]	2076 [980]	2040 [963]	2005 [946]	1970 [930]	1935 [913]	1900 [897]					
					Watts	675	685	700	720	735	750	770	780	805				

DIRECT-DRIVE BLOWER 230/460 AIRFLOW PERFORMANCE

Nominal Cooling Capacity Tons [kW]	Factory Motor Speed	Manufacturer Recommended Air-Flow Range (Min/Max) CFM	Blower Size/ Motor HP [w] & # of Speeds	Motor Speed	CFM [L/s] Air Delivery/RPM/Watts—230/460 Volts Side Discharge—Wet Coil													
					External Static Pressure—Inches W.C. [kPa]													
					0.1 [0.02]	0.2 [0.05]	0.3 [0.07]	0.4 [0.10]	0.5 [0.12]	0.6 [0.15]	0.7 [0.17]	0.8 [0.20]	0.9 [0.22]	1.0 [0.25]				
3.0 [10.55]	Low	1050/1350	10x10 1/2 HP [373] 3 Speed Motor	Low	1455 [687]	1423 [672]	1388 [655]	1345 [635]	1289 [608]	1214 [573]								
				Watts	578	565	549	528	502	472								
3.5 [12.30]	Med.	1225/1575	10x10 1/2 HP [373] 3 Speed Motor	Med	1601 [756]	1561 [737]	1517 [716]	1466 [692]	1401 [661]	1317 [622]								
				Watts	659	636	613	589	562	529								
4.0 [14.07]	High	1400/1800	10x10 1/2 HP [373] 3 Speed Motor	Med	1964 [927]	1902 [898]	1839 [868]	1771 [836]	1693 [799]	1602 [756]								
				Watts	847	811	780	751	721	688								
5.0* [17.6]	Low	1750/2250	11x9 1 HP [746] 2 Speed Motor	Low	1974 [932]	1935 [913]	1897 [895]	1860 [878]	1823 [860]	1788 [844]	1753 [827]	1719 [811]	1686 [796]					
				Watts	490	505	510	545	555	575	600	605	625					
				High	2185 [1031]	2148 [1014]	2112 [997]	2076 [980]	2040 [963]	2005 [946]	1970 [930]	1935 [913]	1900 [897]					
					Watts	675	685	700	720	735	750	770	780	805				

*There is not a 5-ton 460 Volt Direct Drive.

[] Designates Metric Conversions



BELT-DRIVE AIRFLOW PERFORMANCE

Air Flow CFM [L/s]		External Static Pressure—Inches of Water [kPa]																													
		0.1 [0.02]		0.2 [0.05]		0.3 [0.07]		0.4 [0.10]		0.5 [0.12]		0.6 [0.15]		0.7 [0.17]		0.8 [0.20]		0.9 [0.22]		1.0 [0.25]		1.1 [0.27]		1.2 [0.30]		1.3 [0.32]		1.4 [0.35]		1.5 [0.37]	
Models RJNA-A036 [10.55 kW] & A042 [12.31 kW]—Heat Pump (13 SEER)		Voltage 208/230-460—3 Phase		RPM		W		RPM		W		RPM		W		RPM		W		RPM		W		RPM		W		RPM		W	
900 [425]	—	—	—	665	290	730	300	830	330	875	360	920	375	960	390	990	410	1040	445	1080	470	1140	510	1190	540	1235	590	—	—	—	—
1000 [472]	—	—	625	275	680	295	750	310	805	345	895	375	935	390	970	410	1015	435	1065	465	1100	500	1160	530	1210	560	1255	610	—	—	—
1100 [519]	—	—	640	300	710	315	780	325	830	340	875	365	915	390	955	405	1040	450	1080	485	1115	540	1180	540	1230	600	1270	630	—	—	—
1200 [566]	—	—	670	315	735	330	800	345	850	365	890	385	935	410	975	430	1010	1060	1100	1145	1180	1200	1250	1290	1335	1385	1435	1485	1535	1585	1635
1300 [614]	625	315	700	330	770	350	830	370	875	400	915	415	965	440	990	450	1040	1085	1125	1165	1200	1220	1255	1290	1335	1385	1435	1485	1535	1585	1635
1400 [661]	655	340	730	365	795	385	850	400	890	430	935	445	975	470	1010	500	1070	1115	1155	1195	1230	1255	1290	1335	1385	1435	1485	1535	1585	1635	1685
1500 [708]	685	380	755	390	825	415	870	435	915	455	955	480	990	505	1040	545	1090	1135	1175	1215	1250	1270	1310	1350	1390	1435	1485	1535	1585	1635	1685
1600 [755]	730	420	790	435	850	455	890	490	935	505	970	525	1005	550	1100	640	1160	1200	1240	1280	1320	1360	1400	1440	1485	1535	1585	1635	1685	1735	1785
1700 [802]	755	465	825	475	875	505	915	535	955	550	985	570	1040	630	1100	685	1135	1175	1215	1255	1295	1335	1375	1415	1455	1495	1545	1595	1645	1695	1745
1800 [850]	790	500	850	530	890	550	935	570	1020	600	1080	690	1125	740	1165	770	1210	1250	1290	1330	1370	1410	1450	1490	1530	1570	1610	1650	1690	1730	1770

NOTE: Bold lines separate L, M and N drives respectively.

Drive Package	L						M						N (Field-Supplied)																
	1/2 [373] (3/4 [559] - 575V)						3/4 [559]						3/4 [559]																
Motor H.P. [w]	6.9 Pitch Diameter						6.4 Pitch Diameter						6.4 Pitch Diameter																
Blower Sheave	Adjustable 2.4-3.4 Pitch Diameter						Adjustable 3.4-4.4 Pitch Diameter						Adjustable 4.0-5.0 Pitch Diameter																
Motor Sheave	Adjustable 2.4-3.4 Pitch Diameter						Adjustable 3.4-4.4 Pitch Diameter						Adjustable 4.0-5.0 Pitch Diameter																
Turns Open	0	1	2	3	4	5	6	0	1	2	3	4	5	6	0	1	2	3	4	5	6	0	1	2	3	4	5	6	
RPM	935	875	830	780	730	680	625	1295	1230	1185	1135	1085	1000	955	1090	1035	990	945	900	855	810	765	720	675	630	585	540	495	450

Factory sheave settings are shown in bold print.

BELT-DRIVE AIRFLOW PERFORMANCE

Air Flow CFM [L/s]		External Static Pressure—Inches of Water [kPa]																													
		0.1 [0.02]		0.2 [0.05]		0.3 [0.07]		0.4 [0.10]		0.5 [0.12]		0.6 [0.15]		0.7 [0.17]		0.8 [0.20]		0.9 [0.22]		1.0 [0.25]		1.1 [0.27]		1.2 [0.30]		1.3 [0.32]		1.4 [0.35]		1.5 [0.37]	
Models RJNA-A048 [14.06 kW]—Heat Pump (13 SEER)		Voltage 208/230-460—3 Phase		RPM		W		RPM		W		RPM		W		RPM		W		RPM		W		RPM		W		RPM		W	
1200 [566]	—	—	—	745	340	810	375	865	390	900	400	945	420	1000	440	1040	460	1075	490	1115	540	1170	580	1215	620	1260	650	1300	685		
1300 [614]	—	—	695	330	770	365	835	395	880	415	920	435	975	455	1010	470	1060	490	1100	530	1140	570	1190	600	1235	640	1270	685	1315	740	
1400 [661]	—	—	725	350	795	395	855	420	895	435	945	455	995	470	1030	500	1070	520	1115	560	1160	600	1205	640	1250	685	1290	745	1335	810	
1500 [708]	690	360	750	390	820	425	875	450	920	465	970	480	1010	505	560	1055	560	1100	580	1140	630	1180	660	1230	700	1270	760	1315	815	1350	865
1600 [755]	720	390	780	430	850	460	895	480	945	500	990	530	1035	565	1075	590	1115	635	1160	680	1205	725	1250	770	1290	830	880	935	990	1045	
1700 [802]	750	430	810	465	870	485	920	500	970	530	1015	570	1055	600	1090	645	1140	695	1180	735	1225	790	1270	845	1315	910	1350	960	1015	1070	
1800 [850]	780	475	840	515	895	540	945	555	990	600	1035	625	1080	660	1115	710	1155	740	1205	800	1250	860	1295	930	1340	995	1365	1030	1090	1150	
1900 [897]	820	520	870	560	925	580	970	600	1015	640	1060	690	1115	750	1145	790	1185	835	1225	880	1275	900	1315	1010	1355	1060	1120	1180	1240		
2000 [944]	850	585	900	610	950	630	1000	665	1045	715	1090	760	1130	810	1170	865	1205	900	1255	965	1300	1050	1340	1100	1365	1440	1500	1560	1620		

NOTE: Bold lines separate L, M and N drives respectively.

Drive Package	L						M						N (Field-Supplied)																
	1/2 [373] (3/4 [559] - 575V)						3/4 [559]						3/4 [559]																
Motor H.P. [w]	6.9 Pitch Diameter						6.4 Pitch Diameter						6.4 Pitch Diameter																
Blower Sheave	Adjustable 2.8-3.8 Pitch Diameter						Adjustable 3.4-4.4 Pitch Diameter						Adjustable 4.0-5.0 Pitch Diameter																
Motor Sheave	Adjustable 2.8-3.8 Pitch Diameter						Adjustable 3.4-4.4 Pitch Diameter						Adjustable 4.0-5.0 Pitch Diameter																
Turns Open	0	1	2	3	4	5	6	0	1	2	3	4	5	6	0	1	2	3	4	5	6	0	1	2	3	4	5	6	
RPM	990	945	895	850	800	750	695	1270	1225	1170	1115	1065	1015	965	1100	1045	995	945	895	845	795	745	695	645	595	545	495	445	395

Factory sheave settings are shown in bold print.

Note: See component air resistance table in this manual.

[] Designates Metric Conversions



BELT-DRIVE AIRFLOW PERFORMANCE

Air Flow CFM [L/s]	Model RJNA-A060 [17.58 kW]—Heat Pump (13 SEER)																												
	External Static Pressure—Inches of Water [kPa]																												
	0.1 [.02]		0.2 [.05]		0.3 [.07]		0.4 [.10]		0.5 [.12]		0.6 [.15]		0.7 [.17]		0.8 [.20]		0.9 [.22]		1.0 [.25]		1.1 [.27]		1.2 [.30]		1.3 [.32]		1.4 [.35]		1.5 [.37]
RPM	W	RPM	W	RPM	W	RPM	W	RPM	W	RPM	W	RPM	W	RPM	W	RPM	W	RPM	W	RPM	W	RPM	W	RPM	W	RPM	W	RPM	W
1400 [661]	—	—	780	370	815	385	875	425	930	460	970	490	1030	540	1065	570	1105	595	1150	615	1195	645	1235	660	1300	705	1340	745	
1500 [708]	—	—	795	405	840	415	895	440	945	500	995	540	1045	595	1080	615	1135	650	1165	675	1215	700	1255	735	1320	775	1355	805	
1600 [755]	—	—	780	390	805	425	870	470	915	510	965	560	1015	600	1060	640	1105	680	1145	705	1180	730	1225	750	1340	840	1365	880	
1700 [802]	—	—	795	450	840	490	895	530	940	570	990	605	1035	640	1075	680	1120	725	1160	755	1200	790	1245	815	1300	855	1375	940	
1800 [850]	780	455	815	470	870	540	915	540	965	675	1010	660	1055	710	1100	760	1140	785	1175	810	1225	850	1260	880	1320	930	1365	985	1020
1900 [897]	800	485	850	530	895	590	945	640	995	675	1035	720	1070	775	1120	810	1160	850	1200	890	1245	915	1290	960	1335	1000	1375	1050	1100
2000 [944]	830	550	880	605	930	655	970	700	1015	730	1055	790	1105	830	1145	875	1180	910	1225	950	1260	1060	1320	1035	1350	1075	1400	1200	—
2100 [991]	860	615	915	655	955	705	1005	760	1040	820	1090	870	1130	910	1170	950	1210	995	1250	1020	1290	1060	1335	1100	1370	1150	1400	1200	—
2200 [1038]	895	680	945	735	995	780	1030	830	1060	880	1120	940	1155	980	1195	1020	1240	1055	1275	1100	1320	1140	1360	1180	1385	1225	—	—	—
2300 [1085]	940	755	975	795	1015	830	1065	910	1100	965	1150	1025	1180	1050	1225	1095	1265	1125	1310	1175	1350	1230	1375	1260	1405	1320	—	—	—
2400 [1133]	970	825	1015	880	1040	925	1100	1005	1145	1055	1175	1085	1225	1140	1260	1175	1300	1210	1340	1255	1370	1315	1400	1375	—	—	—	—	—

NOTE: L-Drive left of bold line, M-Drive right of bold line.

Drive Package	L						M							
	0	1	2	3	4	5	0	1	2	3	4	5		
Motor H.P. [w]	3/4 [559]						1 [746]							
Blower Sheave	6.4 Pitch Diameter						6.4 Pitch Diameter							
Motor Sheave	Adjustable 2.8-3.8 Pitch Diameter						Adjustable 3.4-4.4 Pitch Diameter							
Turns Open	0	1	2	3	4	5	6	0	1	2	3	4	5	6
RPM	1095	1040	995	940	890	835	780	1405	1360	1305	1250	1195	1145	1095

Factory sheave settings are shown in bold print.

COMPONENT AIR RESISTANCE

Component	Standard Indoor Airflow—CFM [L/s]						Resistance—Inches Water [kPa]					
	1000 [472]	1200 [566]	1400 [661]	1600 [755]	1800 [850]	2000 [944]	2200 [1038]	2400 [1133]	2600 [1227]	2800 [1321]	3000 [1415]	
Wet Coil	.035	.040	.060	.070	.085	.100	.110	.120	.130	.140	.150	
Downflow	.055	.060	.066	.072	.080	.086	.093	.100	.107	.114	.121	
Economizer R.A. Damper	.05	.06	.07	.08	.09	.10	.11	.12	.13	.14	.15	

NOTES:

- Performance shown with dry coil, standard 1" [25.4 mm] filters & side discharge. Add component resistance to determine total E.S.P.
- Standard CFM @ .075 lbs./cu. ft.
- Motor efficiency = 80%
- BHP = $\frac{\text{Watts} \times \text{Motor Eff.}}{746}$

[] Designates Metric Conversions



ELECTRICAL DATA – RJNA SERIES															
		-A036CK	-A036CL	-A036CM	-A036DK	-A036DL	-A036DM	-A036JK	-A042CK	-A042CL	-A042CM	-A042DK	-A042DL	-A042DM	-A042JK
Unit Information	Unit Operating Voltage Range	187-253	187-253	187-253	414-506	414-506	414-506	187-253	187-253	187-253	187-253	414-506	414-506	414-506	187-253
	Minimum Circuit Ampacity	19/19	18/18	19/19	9	9	9	25/25	20/20	19/19	20/20	10	10	10	27/27
	Minimum Overcurrent Protection Device Size	25/25	20/20	25/25	15	15	15	30/30	25/25	25/25	25/25	15	15	15	35/35
	Maximum Overcurrent Protection Device Size	25/25	25/25	25/25	15	15	15	35/35	25/25	25/25	25/25	15	15	15	40/40
Compressor Motor	No.	1	1	1	1	1	1	1	1	1	1	1	1	1	1
	Volts	208/230	208/230	208/230	460	460	460	208/230	208/230	208/230	208/230	460	460	460	208/230
	Phase	3	3	3	3	3	3	1	3	3	3	3	3	3	1
	HP	2.5	2.5	2.5	2.5	2.5	2.5	2.5	3	3	3	3	3	3	3
	RPM	3450	3450	3450	3450	3450	3450	3450	3450	3450	3450	3450	3450	3450	3450
	Amps (RLA)	9.6/9.6	9.6/9.6	9.6/9.6	4.8	4.8	4.8	15/15	10.3/10.3	10.3/10.3	10.3/10.3	5.1	5.1	5.1	16.5/16.5
	Amps (LRA)	77/77	77/77	77/77	35	35	35	83/83	77/77	77/77	77/77	39	39	39	95/95
Condenser Motor	No.	1	1	1	1	1	1	1	1	1	1	1	1	1	1
	Volts	208/230	208/230	208/230	460	460	460	208/230	208/230	208/230	208/230	460	460	460	208/230
	Phase	1	1	1	1	1	1	1	1	1	1	1	1	1	1
	HP	1/3	1/3	1/3	1/3	1/3	1/3	1/3	1/3	1/3	1/3	1/3	1/3	1/3	1/3
	Amps (FLA)	2.2	2.2	2.2	1	1	1	2.2	2.2	2.2	2.2	1	1	1	2.2
	Amps (LRA)	4.7	4.7	4.7	2.4	2.4	2.4	4.7	4.7	4.7	4.7	2.4	2.4	2.4	4.7
Evaporator Fan	No.	1	1	1	1	1	1	1	1	1	1	1	1	1	1
	Volts	208/230	208/230	208/230	460	460	460	208/230	208/230	208/230	208/230	460	460	460	208/230
	Phase	1	3	3	1	3	3	1	1	3	3	1	3	3	1
	HP	1/2	1/2	3/4	1/2	1/2	3/4	1/2	1/2	1/2	3/4	1/2	1/2	3/4	1/2
	Amps (FLA)	2.7	2.2	3.2	1.5	1.1	1.6	2.7	2.7	2.2	3.2	1.5	1.1	1.6	2.7
	Amps (LRA)	6.5	10.6	16.8	3.6	5.3	8.4	6.5	6.5	10.6	16.8	3.6	5.3	8.4	6.5

1. Horsepower Per Compressor.
2. Amp Draw Per Motor. Multiply Value By Number of Motors to Determine Total Amps.



ELECTRICAL DATA – RJNA SERIES														
		-A048CK	-A048CL	-A048CM	-A048DK	-A048DL	-A048DM	-A048JK	-A060CK	-A060CL	-A060CM	-A060DL	-A060DM	-A060JK
Unit Information	Unit Operating Voltage Range	187-253	187-253	187-253	414-506	414-506	414-506	187-253	187-253	187-253	187-253	414-506	414-506	187-253
	Minimum Circuit Ampacity	22/22	21/21	22/22	11	11	11	30/30	32/32	28/28	28/28	14	14	46/46
	Minimum Overcurrent Protection Device Size	25/25	25/25	25/25	15	15	15	35/35	40/40	35/35	35/35	20	20	60/60
	Maximum Overcurrent Protection Device Size	30/30	30/30	30/30	15	15	15	45/45	45/45	45/45	45/45	20	20	60/60
Compressor Motor	No.	1	1	1	1	1	1	1	1	1	1	1	1	1
	Volts	208/230	208/230	208/230	460	460	460	208/230	208/230	208/230	208/230	460	460	208/230
	Phase	3	3	3	3	3	3	1	3	3	3	3	3	1
	HP	3.5	3.5	3.5	3.5	3.5	3.5	3.5	5	5	5	5	5	5
	RPM	3450	3450	3450	3450	3450	3450	3450	3450	3450	3450	3450	3450	3450
	Amps (RLA)	12.4/12.4	12.4/12.4	12.4/12.4	6.4	6.4	6.4	18.3/18.3	17.3/17.3	17.3/17.3	17.3/17.3	8.2	8.2	28.8/28.8
	Amps (LRA)	88/88	88/88	88/88	44	44	44	109/109	123/123	123/123	123/123	62	62	148/148
Condenser Motor	No.	1	1	1	1	1	1	1	1	1	1	1	1	1
	Volts	208/230	208/230	208/230	460	460	460	208/230	208/230	208/230	208/230	460	460	208/230
	Phase	1	1	1	1	1	1	1	1	1	1	1	1	1
	HP	1/3	1/3	1/3	1/3	1/3	1/3	1/3	1/3	1/3	1/3	1/3	1/3	1/3
	Amps (FLA)	2.2	2.2	2.2	1	1	1	2.2	2.2	2.2	2.2	1	1	2.2
	Amps (LRA)	4.7	4.7	4.7	2.4	2.4	2.4	4.7	4.7	4.7	4.7	2.4	2.4	4.7
Evaporator Fan	No.	1	1	1	1	1	1	1	1	1	1	1	1	1
	Volts	208/230	208/230	208/230	460	460	460	208/230	208/230	208/230	208/230	460	460	208/230
	Phase	1	3	3	1	3	3	1	1	3	3	3	3	1
	HP	1/2	1/2	3/4	1/2	1/2	3/4	1/2	1	3/4	1	3/4	1	1
	Amps (FLA)	2.7	2.2	3.2	1.5	1.1	1.6	2.7	7.6	3.2	3.8	1.6	1.9	7.6
	Amps (LRA)	6.5	10.6	16.8	3.6	5.3	8.4	6.5	0	16.8	24	8.4	12	0

1. Horsepower Per Compressor.

2. Amp Draw Per Motor. Multiply Value By Number of Motors to Determine Total Amps.



208-240 VOLT, THREE PHASE, 60 HZ, AUXILIARY ELECTRIC HEATER KITS CHARACTERISTICS AND APPLICATION													
Model No. RJNA-	RXJ- Heater Kit Nominal kW	Rated Heater kW @ 208-240 V	Heater KBTU/Hr @ 208-240 V	Heater Amp. @ 208-240 V	Unit Min. Ckt. Ampacity @ 208-240 V	Over Current Protective Device Size @ 240 V		Separate Power Supply For Both Unit and Heater Kit					
						Min./Max. @ 208 V	Min./Max. @ 240 V	Heater Kit Min. Ckt. Ampacity	Heater Kit Max. Fuse Size	Heat Pump Min. Ckt. Ampacity 208-240 V	Heat Pump Over Current Protective Device Size Min./Max. @ 208 V	Heat Pump Over Current Protective Device Size Min./Max. @ 240 V	
A036CK	No Heat	—	—	—	19/19	25/25	25/25	19/19	—	—	19/19	25/25	25/25
	A06C+	4.2/5.6	14.33/19.10	11.7/13.5	33/36	35/35	40/40	33/36	15/17	15/20	15/17	25/25	25/25
	A10C+	7.2/9.6	24.56/32.75	20.0/23.1	44/48	45/45	50/50	44/48	25/29	25/30	25/29	25/25	25/30
	*A11C+	7.2/9.6	24.56/32.75	20.0/23.1	44/48	45/45	50/50	44/48	25/29	25/30	25/29	25/25	25/30
	A12C+	8.4/11.2	28.66/38.21	23.4/27.0	48/52	50/50	60/60	48/52	30/34	30/35	30/34	—	—
	A15C+	10.8/14.4	36.84/49.13	30.1/34.7	56/62	60/60	70/70	56/62	38/44	40/45	38/44	—	—
A042CK	A20C+	14.4/19.2	49.13/65.51	40.1/46.2	69/76	70/70	80/80	69/76	50/58	50/60	50/58	—	—
	*A21C+	14.4/19.2	49.13/65.51	40.1/46.2	69/76	70/70	80/80	69/76	50/58	50/60	50/58	—	—
	No Heat	—	—	—	20/20	25/25	25/25	20/20	—	—	—	25/25	25/25
	A06C+	4.2/5.6	14.33/19.10	11.7/13.5	34/36	35/40	40/40	34/36	15/17	15/20	15/17	25/25	25/25
	A10C+	7.2/9.6	24.56/32.75	20.0/23.1	45/48	45/45	50/50	45/48	25/29	25/30	25/29	25/25	25/30
	*A11C+	7.2/9.6	24.56/32.75	20.0/23.1	45/48	45/45	50/50	45/48	25/29	25/30	25/29	25/25	25/30
A048CK	A12C+	8.4/11.2	28.66/38.21	23.4/27.0	49/53	50/50	60/60	49/53	30/34	30/35	30/34	—	—
	A15C+	10.8/14.4	36.84/49.13	30.1/34.7	57/63	60/60	70/70	57/63	38/44	40/45	38/44	—	—
	A20C+	14.4/19.2	49.13/65.51	40.1/46.2	70/77	70/70	80/80	70/77	50/58	50/60	50/58	—	—
	*A21C+	14.4/19.2	49.13/65.51	40.1/46.2	70/77	70/70	80/80	70/77	50/58	50/60	50/58	—	—
	No Heat	—	—	—	22/22	25/30	25/30	22/22	—	—	—	25/30	25/30
	A06C+	4.2/5.6	14.33/19.10	11.7/13.5	37/39	40/45	40/45	37/39	15/17	15/20	15/17	25/30	25/30
A060CK	A10C+	7.2/9.6	24.56/32.75	20.0/23.1	47/51	50/50	60/60	47/51	25/29	25/30	25/29	25/30	25/30
	*A11C+	7.2/9.6	24.56/32.75	20.0/23.1	47/51	50/50	60/60	47/51	25/29	25/30	25/29	25/30	25/30
	A12C+	8.4/11.2	28.66/38.21	23.4/27.0	51/56	60/60	60/60	51/56	30/34	30/35	30/34	—	—
	A15C+	10.8/14.4	36.84/49.13	30.1/34.7	60/66	60/60	70/70	60/66	38/44	40/45	38/44	—	—
	A20C+	14.4/19.2	49.13/65.51	40.1/46.2	72/80	80/80	80/80	72/80	50/58	50/60	50/58	—	—
	*A21C+	14.4/19.2	49.13/65.51	40.1/46.2	72/80	80/80	80/80	72/80	50/58	50/60	50/58	—	—
A060CK	No Heat	—	—	—	32/32	40/45	40/45	32/32	—	—	—	40/45	40/45
	A06C+	4.2/5.6	14.33/19.10	11.7/13.5	47/49	50/60	50/60	47/49	15/17	15/20	15/17	25/30	25/30
	A10C+	7.2/9.6	24.56/32.75	20.0/23.1	57/61	60/60	70/70	57/61	25/29	25/30	25/29	25/30	25/30
	*A11C+	7.2/9.6	24.56/32.75	20.0/23.1	57/61	60/60	70/70	57/61	25/29	25/30	25/29	25/30	25/30
	A12C+	8.4/11.2	28.66/38.21	23.4/27.0	61/66	70/70	70/70	61/66	30/34	30/35	30/34	—	—
	A15C+	10.8/14.4	36.84/49.13	30.1/34.7	70/75	70/70	80/80	70/75	38/44	40/45	38/44	—	—
A060CK	A20C+	14.4/19.2	49.13/65.51	40.1/46.2	82/90	90/90	90/90	82/90	50/58	50/60	50/58	—	—
	*A21C+	14.4/19.2	49.13/65.51	40.1/46.2	82/90	90/90	90/90	82/90	50/58	50/60	50/58	—	—

+ Field Installed Only
 * = For Canadian Use Only. Uses "P" Fuses for Inductive Circuit.



UNITS WITH HEATER KITS—RJNA- SERIES

208-240 VOLT, THREE PHASE, 60 HZ, AUXILIARY ELECTRIC HEATER KITS CHARACTERISTICS AND APPLICATION												
Single Power Supply For Both Unit and Heater Kit					Separate Power Supply For Both Unit and Heater Kit							
Model No. RJNA-	RX&J- Heater Kit Nominal kW	Rated Heater kW @ 208-240 V	Heater KBTU/Hr @ 208-240 V	Heater Amp. @ 208-240 V	Unit Min. Ckt. Ampacity @ 208-240 V	Over Current Protective Device Size		Heater Kit Min. Ckt. Ampacity	Heater Kit Max. Fuse Size	Heat Pump Min. Ckt. Ampacity 208-240 V	Heat Pump Over Current Protective Device Size	
						Min. @ 208 V	Max. @ 240 V				Min. @ 208 V	Max. @ 240 V
A036CL	No Heat	—	—	—	18/18	20/25	20/25	—	—	18/18	20/25	20/25
	A06C+	4.2/5.6	14.33/19.10	11.7/13.5	32/35	35/35	35/40	15/17	15/20	—	—	—
	A10C+	7.2/9.6	24.56/32.75	20.0/23.1	43/47	45/45	50/50	25/29	25/30	—	—	—
	A11C+	7.2/9.6	24.56/32.75	20.0/23.1	43/47	45/45	50/50	25/29	25/30	—	—	—
	A12C+	8.4/11.2	28.66/38.21	23.4/27.0	47/51	50/50	60/60	30/34	30/35	—	—	—
	A15C+	10.8/14.4	36.84/49.13	30.1/34.7	55/61	60/60	70/70	38/44	40/45	—	—	—
	A20C+	14.4/19.2	49.13/65.51	40.1/46.2	68/75	70/70	80/80	50/58	50/60	—	—	—
A21C+	14.4/19.2	49.13/65.51	40.1/46.2	68/75	70/70	80/80	50/58	50/60	—	—	—	
A042CL	No Heat	—	—	—	19/19	25/25	25/25	—	—	19/19	25/25	25/25
	A06C+	4.2/5.6	14.33/19.10	11.7/13.5	33/35	35/40	35/40	15/17	15/20	—	—	—
	A10C+	7.2/9.6	24.56/32.75	20.0/23.1	44/47	45/45	50/50	25/29	25/30	—	—	—
	A11C+	7.2/9.6	24.56/32.75	20.0/23.1	44/47	45/45	50/50	25/29	25/30	—	—	—
	A12C+	8.4/11.2	28.66/38.21	23.4/27.0	48/52	50/50	60/60	30/34	30/35	—	—	—
	A15C+	10.8/14.4	36.84/49.13	30.1/34.7	56/62	60/60	70/70	38/44	40/45	—	—	—
	A20C+	14.4/19.2	49.13/65.51	40.1/46.2	69/76	70/70	80/80	50/58	50/60	—	—	—
A21C+	14.4/19.2	49.13/65.51	40.1/46.2	69/76	70/70	80/80	50/58	50/60	—	—	—	
A048CL	No Heat	—	—	—	21/21	25/30	25/30	—	—	21/21	25/30	25/30
	A06C+	4.2/5.6	14.33/19.10	11.7/13.5	36/38	40/40	40/45	15/17	15/20	—	—	—
	A10C+	7.2/9.6	24.56/32.75	20.0/23.1	46/50	50/50	50/50	25/29	25/30	—	—	—
	*A11C+	7.2/9.6	24.56/32.75	20.0/23.1	46/50	50/50	50/50	25/29	25/30	—	—	—
	A12C+	8.4/11.2	28.66/38.21	23.4/27.0	50/55	50/50	60/60	30/34	30/35	—	—	—
	A15C+	10.8/14.4	36.84/49.13	30.1/34.7	59/65	60/60	70/70	38/44	40/45	—	—	—
	A20C+	14.4/19.2	49.13/65.51	40.1/46.2	71/79	80/80	80/80	50/58	50/60	—	—	—
*A21C+	14.4/19.2	49.13/65.51	40.1/46.2	71/79	80/80	80/80	50/58	50/60	—	—	—	
A060CL	No Heat	—	—	—	28/28	35/45	35/45	—	—	28/28	35/45	35/45
	A06C+	4.2/5.6	14.33/19.10	11.7/13.5	43/45	45/50	45/50	15/17	15/20	—	—	—
	A10C+	7.2/9.6	24.56/32.75	20.0/23.1	53/57	60/60	60/60	25/29	25/30	—	—	—
	*A11C+	7.2/9.6	24.56/32.75	20.0/23.1	53/57	60/60	60/60	25/29	25/30	—	—	—
	A12C+	8.4/11.2	28.66/38.21	23.4/27.0	58/62	60/60	70/70	30/34	30/35	—	—	—
	A15C+	10.8/14.4	36.84/49.13	30.1/34.7	66/72	70/70	80/80	38/44	40/45	—	—	—
	A20C+	14.4/19.2	49.13/65.51	40.1/46.2	78/86	80/80	90/90	50/58	50/60	—	—	—
*A21C+	14.4/19.2	49.13/65.51	40.1/46.2	78/86	80/80	90/90	50/58	50/60	—	—	—	
A24C+	18.0/24.0	61.41/81.88	50.1/57.8	78/86	100/100	110/110	50/58	50/60	—	—	—	

+ Field Installed Only

* = For Canadian Use Only. Uses "P" Fuses for Inductive Circuit.



208-240 VOLT, THREE PHASE, 60 HZ, AUXILIARY ELECTRIC HEATER KITS CHARACTERISTICS AND APPLICATION												
Model No. RJNA-	Single Power Supply For Both Unit and Heater Kit						Separate Power Supply For Both Unit and Heater Kit					
	RXJ- Heater Kit Nominal kW	Rated Heater kW @ 208-240 V	Heater KBTU/Hr @ 208-240 V	Heater Amp. @ 208-240 V	Unit Min. Ckt. Ampacity @ 208-240 V	Over Current Protective Device Size		Heater Kit Min. Ckt. Ampacity	Heater Kit Max. Fuse Size	Heat Pump Min. Ampacity @ 208-240 V	Heat Pump Over Current Protective Device Size	
						Min./Max. @ 208 V	Min./Max. @ 240 V				Min./Max. @ 208 V	Min./Max. @ 240 V
A036CM	No Heat	—	—	—	19/19	25/25	25/25	—	—	19/19	25/25	25/25
	A06C+	4.2/5.6	14.33/19.10	11.7/13.5	33/36	35/35	40/40	15/17	15/20	—	—	—
	A10C+	7.2/9.6	24.56/32.75	20.0/23.1	44/48	45/45	50/50	25/29	25/30	—	—	—
	A11C+	7.2/9.6	24.56/32.75	20.0/23.1	44/48	45/45	50/50	25/29	25/30	—	—	—
	A12C+	8.4/11.2	28.66/38.21	23.4/27.0	48/52	50/50	60/60	30/34	30/35	—	—	—
	A15C+	10.8/14.4	36.84/49.13	30.1/34.7	56/62	60/60	70/70	38/44	40/45	—	—	—
A042CM	A20C+	14.4/19.2	49.13/65.51	40.1/46.2	69/76	70/70	80/80	50/58	50/60	—	—	—
	A21C+	14.4/19.2	49.13/65.51	40.1/46.2	69/76	70/70	80/80	50/58	50/60	—	—	—
	No Heat	—	—	—	20/20	25/25	25/25	—	—	20/20	25/25	25/25
	A06C+	4.2/5.6	14.33/19.10	11.7/13.5	34/36	35/40	40/40	15/17	15/20	—	—	—
	A10C+	7.2/9.6	24.56/32.75	20.0/23.1	45/48	45/45	50/50	25/29	25/30	—	—	—
	A11C+	7.2/9.6	24.56/32.75	20.0/23.1	45/48	45/45	50/50	25/29	25/30	—	—	—
A048CM	A12C+	8.4/11.2	28.66/38.21	23.4/27.0	49/53	50/50	60/60	30/34	30/35	—	—	—
	A15C+	10.8/14.4	36.84/49.13	30.1/34.7	57/63	60/60	70/70	38/44	40/45	—	—	—
	A20C+	14.4/19.2	49.13/65.51	40.1/46.2	70/77	70/70	80/80	50/58	50/60	—	—	—
	A21C+	14.4/19.2	49.13/65.51	40.1/46.2	70/77	70/70	80/80	50/58	50/60	—	—	—
	No Heat	—	—	—	22/22	25/30	25/30	—	—	22/22	25/30	25/30
	A06C+	4.2/5.6	14.33/19.10	11.7/13.5	37/39	40/45	40/45	15/17	15/20	—	—	—
A060CM	A10C+	7.2/9.6	24.56/32.75	20.0/23.1	47/51	50/50	60/60	25/29	25/30	—	—	—
	A11C+	7.2/9.6	24.56/32.75	20.0/23.1	47/51	50/50	60/60	25/29	25/30	—	—	—
	A12C+	8.4/11.2	28.66/38.21	23.4/27.0	51/56	60/60	60/60	30/34	30/35	—	—	—
	A15C+	10.8/14.4	36.84/49.13	30.1/34.7	60/66	60/60	70/70	38/44	40/45	—	—	—
	A20C+	14.4/19.2	49.13/65.51	40.1/46.2	72/80	80/80	80/80	50/58	50/60	—	—	—
	A21C+	14.4/19.2	49.13/65.51	40.1/46.2	72/80	80/80	80/80	50/58	50/60	—	—	—
A24C+	No Heat	—	—	—	28/28	35/45	35/45	—	—	28/28	35/45	35/45
	A06C+	4.2/5.6	14.33/19.10	11.7/13.5	43/45	45/50	45/50	15/17	15/20	—	—	—
	A10C+	7.2/9.6	24.56/32.75	20.0/23.1	53/57	60/60	60/60	25/29	25/30	—	—	—
	A11C+	7.2/9.6	24.56/32.75	20.0/23.1	53/57	60/60	60/60	25/29	25/30	—	—	—
	A12C+	8.4/11.2	28.66/38.21	23.4/27.0	58/62	60/60	70/70	30/34	30/35	—	—	—
	A15C+	10.8/14.4	36.84/49.13	30.1/34.7	66/72	70/70	80/80	38/44	40/45	—	—	—
A24C+	A20C+	14.4/19.2	49.13/65.51	40.1/46.2	78/86	80/80	90/90	50/58	50/60	—	—	—
	A21C+	14.4/19.2	49.13/65.51	40.1/46.2	78/86	80/80	90/90	50/58	50/60	—	—	—
	A24C+	18.0/24.0	61.41/81.88	50.1/57.8	78/86	100/100	110/110	50/58	50/60	—	—	—

+ Field Installed Only
 * = For Canadian Use Only. Uses "P" Fuses for Inductive Circuit.

480 VOLT, THREE PHASE, 60 HZ, AUXILIARY ELECTRIC HEATER KITS CHARACTERISTICS AND APPLICATION																								
Model No. RJNA-	RXJJ- Heater Kit Nominal kW	Rated Heater kW @ 480 V	Heater KBTU/Hr @ 480 V	Heater Amp. @ 480 V	Unit Min. Ckt. Ampacity @ 480 V	Over Current Protective Device Size		Separate Power Supply For Both Unit and Heater Kit																
						Min./Max. @ 480 V	Min./Max. @ 480 V	Heater Kit Min. Ckt. Ampacity	Heater Kit Max. Fuse Size	Heat Pump Min. Ckt. Ampacity @ 480 V	Heat Pump Over Current Protective Device Size Min./Max. @ 480 V	Min./Max. @ 480 V	Min./Max. @ 480 V											
A036DK	No Heat	—	—	—	9	15	15	—	—	—	—	—	—	—	—	—	—	—	—	—				
	A06D+	5.6	19.10	6.7	18	20	20	15	9	15	15	15	15	15	15	15	15	15	15	15				
	A10D+	9.6	32.75	11.6	24	25	25	25	15	15	15	15	15	15	15	15	15	15	15	15	15			
	*A11C+	9.6	32.75	11.6	24	25	25	25	15	15	15	15	15	15	15	15	15	15	15	15	15	15		
	A12D+	11.2	38.21	13.5	26	30	30	30	17	20	20	20	20	20	20	20	20	20	20	20	20	20	20	
	A15D+	14.4	49.13	17.3	31	35	35	35	22	25	25	25	25	25	25	25	25	25	25	25	25	25	25	
A20D+	19.2	65.51	23.1	38	40	40	40	29	30	30	30	30	30	30	30	30	30	30	30	30	30	30		
*A21D+	19.2	65.51	23.1	38	40	40	40	29	30	30	30	30	30	30	30	30	30	30	30	30	30	30	30	
A042DK	No Heat	—	—	—	10	15	15	—	—	—	—	—	—	—	—	—	—	—	—	—	—	—	—	
	A06D+	5.6	19.10	6.7	18	20	20	20	10	15	15	15	15	15	15	15	15	15	15	15	15	15	15	
	A10D+	9.6	32.75	11.6	24	25	25	25	15	15	15	15	15	15	15	15	15	15	15	15	15	15	15	
	*A11C+	9.6	32.75	11.6	24	25	25	25	15	15	15	15	15	15	15	15	15	15	15	15	15	15	15	
	A12D+	11.2	38.21	13.5	27	30	30	30	17	20	20	20	20	20	20	20	20	20	20	20	20	20	20	20
	A15D+	14.4	49.13	17.3	31	35	35	35	22	25	25	25	25	25	25	25	25	25	25	25	25	25	25	25
A20D+	19.2	65.51	23.1	39	40	40	40	29	30	30	30	30	30	30	30	30	30	30	30	30	30	30	30	
*A21D+	19.2	65.51	23.1	39	40	40	40	29	30	30	30	30	30	30	30	30	30	30	30	30	30	30	30	
A048DK	No Heat	—	—	—	11	15	15	—	—	—	—	—	—	—	—	—	—	—	—	—	—	—	—	—
	A06D+	5.6	19.10	6.7	20	20	20	20	11	15	15	15	15	15	15	15	15	15	15	15	15	15	15	15
	A10D+	9.6	32.75	11.6	26	30	30	30	15	15	15	15	15	15	15	15	15	15	15	15	15	15	15	15
	*A11C+	9.6	32.75	11.6	26	30	30	30	15	15	15	15	15	15	15	15	15	15	15	15	15	15	15	15
	A12D+	11.2	38.21	13.5	28	30	30	30	17	20	20	20	20	20	20	20	20	20	20	20	20	20	20	20
	A15D+	14.4	49.13	17.3	33	35	35	35	22	25	25	25	25	25	25	25	25	25	25	25	25	25	25	25
A20D+	19.2	65.51	23.1	40	40	40	40	29	30	30	30	30	30	30	30	30	30	30	30	30	30	30	30	
*A21D+	19.2	65.51	23.1	40	40	40	40	29	30	30	30	30	30	30	30	30	30	30	30	30	30	30	30	

+ Field Installed Only

* = For Canadian Use Only. Uses "P" Fuses for Inductive Circuit.



480 VOLT, THREE PHASE, 60 HZ, AUXILIARY ELECTRIC HEATER KITS CHARACTERISTICS AND APPLICATION												
Model No. RJNA-	RXJL- Heater Kit Nominal kW	Rated Heater kW @ 480 V	Heater KBTU/Hr @ 480 V	Heater Amp. @ 480 V	Unit Min. Ckt. Ampacity @ 480 V	Over Current Protective Device Size @ 480 V		Separate Power Supply For Both Unit and Heater Kit				
						Min./Max.	Min./Max.	Heater Kit Min. Ckt. Ampacity	Heater Kit Max. Fuse Size	Heat Pump Ckt. Ampacity @ 480 V	Heat Pump Min. Ampacity @ 480 V	Heat Pump Over Current Protective Device Size Min./Max. @ 480 V
A036DL	No Heat	—	—	—	9	15	15	—	—	9	15	15
	A06D+	5.6	19.10	6.7	18	20	20	—	9	15	15	15
	A10D+	9.6	32.75	11.6	24	25	25	15	15	15	15	15
	*A11C+	9.6	32.75	11.6	24	25	25	15	15	15	15	15
	A12D+	11.2	38.21	13.5	26	30	30	20	20	20	20	20
	A15D+	14.4	49.13	17.3	31	35	35	25	25	25	25	25
A042DL	A20D+	19.2	65.51	23.1	38	40	40	30	30	—	—	—
	*A21D+	19.2	65.51	23.1	38	40	40	30	30	—	—	—
	No Heat	—	—	—	10	15	15	—	—	10	15	15
	A06D+	5.6	19.10	6.7	18	20	20	15	15	15	15	15
	A10D+	9.6	32.75	11.6	24	25	25	15	15	15	15	15
	*A11C+	9.6	32.75	11.6	24	25	25	15	15	15	15	15
A048DL	A12D+	11.2	38.21	13.5	27	30	30	20	20	17	20	20
	A15D+	14.4	49.13	17.3	31	35	35	25	25	22	25	25
	A20D+	19.2	65.51	23.1	39	40	40	30	30	30	30	30
	*A21D+	19.2	65.51	23.1	39	40	40	30	30	29	30	30
	No Heat	—	—	—	11	15	15	—	—	11	15	15
	A06D+	5.6	19.10	6.7	20	20	20	15	15	9	15	15
A060DL	A10D+	9.6	32.75	11.6	26	30	30	30	15	15	15	15
	*A11C+	9.6	32.75	11.6	26	30	30	30	15	15	15	15
	A12D+	11.2	38.21	13.5	28	30	30	30	17	20	20	20
	A15D+	14.4	49.13	17.3	33	35	35	35	22	25	25	25
	A20D+	19.2	65.51	23.1	40	40	40	40	30	30	30	30
	*A21D+	19.2	65.51	23.1	40	40	40	40	29	30	29	30
A060DL	No Heat	—	—	—	14	20	20	20	—	14	20	20
	A06D+	5.6	19.10	6.7	22	25	25	25	9	15	15	15
	A10D+	9.6	32.75	11.6	28	30	30	30	15	15	15	15
	*A11C+	9.6	32.75	11.6	28	30	30	30	15	15	15	15
	A12D+	11.2	38.21	13.5	31	35	35	35	17	20	20	20
	A15D+	14.4	49.13	17.3	35	35	35	35	22	25	25	25
A060DL	A20D+	19.2	65.51	23.1	43	45	45	45	30	30	30	30
	*A21D+	19.2	65.51	23.1	43	45	45	45	29	30	29	30
	A24D+	24.0	81.88	28.9	50	50	50	50	37	40	37	40
	No Heat	—	—	—	14	20	20	20	—	14	20	20
	A06D+	5.6	19.10	6.7	22	25	25	25	9	15	15	15
	A10D+	9.6	32.75	11.6	28	30	30	30	15	15	15	15

+ Field Installed Only
 * = For Canadian Use Only. Uses "P" Fuses for Inductive Circuit.



480 VOLT, THREE PHASE, 60 HZ, AUXILIARY ELECTRIC HEATER KITS CHARACTERISTICS AND APPLICATION												
Separate Power Supply For Both Unit and Heater Kit												
Model No. RJNA-	RXJJ- Heater Kit Nominal kW	Rated Heater kW @ 480 V	Heater KBTU/Hr @ 480 V	Heater Amp. @ 480 V	Unit Min. Ckt. Ampacity @ 480 V	Over Current Protective Device Size		Heat Pump Min. Ckt. Ampacity @ 480 V	Heater Kit Max. Fuse Size	Heater Kit Min. Ckt. Ampacity	Over Current Protective Device Size	
						Min./Max. @ 480 V	Min./Max. @ 480 V				Min./Max. @ 480 V	Min./Max. @ 480 V
A036DM	No Heat	—	—	—	9	15	15	9	—	—	15	15
	A06D+	5.6	19.10	6.7	18	20	20	15	15	9	15	15
	A10D+	9.6	32.75	11.6	24	25	25	15	15	15	15	15
	*A11D+	9.6	32.75	11.6	24	25	25	15	15	15	15	15
	A12D+	11.2	38.21	13.5	26	30	30	17	20	17	20	20
	A15D+	14.4	49.13	17.3	31	35	35	22	25	22	25	25
A042DM	A20D+	19.2	65.51	23.1	38	40	40	—	—	30	—	—
	*A21D+	19.2	65.51	23.1	38	40	40	—	—	29	—	—
	No Heat	—	—	—	10	15	15	10	—	—	15	15
	A06D+	5.6	19.10	6.7	18	20	20	15	15	9	15	15
	A10D+	9.6	32.75	11.6	24	25	25	15	15	15	15	15
	*A11D+	9.6	32.75	11.6	24	25	25	15	15	15	15	15
A048DM	A12D+	11.2	38.21	13.5	27	30	30	17	20	17	20	20
	A15D+	14.4	49.13	17.3	31	35	35	22	25	22	25	25
	A20D+	19.2	65.51	23.1	39	40	40	—	—	30	—	—
	*A21D+	19.2	65.51	23.1	39	40	40	—	—	29	—	—
	No Heat	—	—	—	11	15	15	11	—	—	15	15
	A06D+	5.6	19.10	6.7	20	20	20	15	15	9	15	15
A060DM	A10D+	9.6	32.75	11.6	26	30	30	15	15	15	15	15
	*A11D+	9.6	32.75	11.6	26	30	30	15	15	15	15	15
	A12D+	11.2	38.21	13.5	28	30	30	17	20	17	20	20
	A15D+	14.4	49.13	17.3	33	35	35	22	25	22	25	25
	A20D+	19.2	65.51	23.1	40	40	40	—	—	30	—	—
	*A21D+	19.2	65.51	23.1	40	40	40	—	—	29	—	—
A060DM	No Heat	—	—	—	14	20	20	14	—	—	20	20
	A06D+	5.6	19.10	6.7	22	25	25	15	15	9	15	15
	A10D+	9.6	32.75	11.6	28	30	30	15	15	15	15	15
	*A11D+	9.6	32.75	11.6	28	30	30	15	15	15	15	15
	A12D+	11.2	38.21	13.5	31	35	35	17	20	17	20	20
	A15D+	14.4	49.13	17.3	35	35	35	22	25	22	25	25
A060DM	A20D+	19.2	65.51	23.1	43	45	45	—	—	30	—	—
	*A21D+	19.2	65.51	23.1	43	45	45	—	—	29	—	—
	*A24D+	24.0	81.88	28.9	50	50	50	—	—	37	—	—

+ Field Installed Only
* = For Canadian Use Only. Uses "P" Fuses for Inductive Circuit.

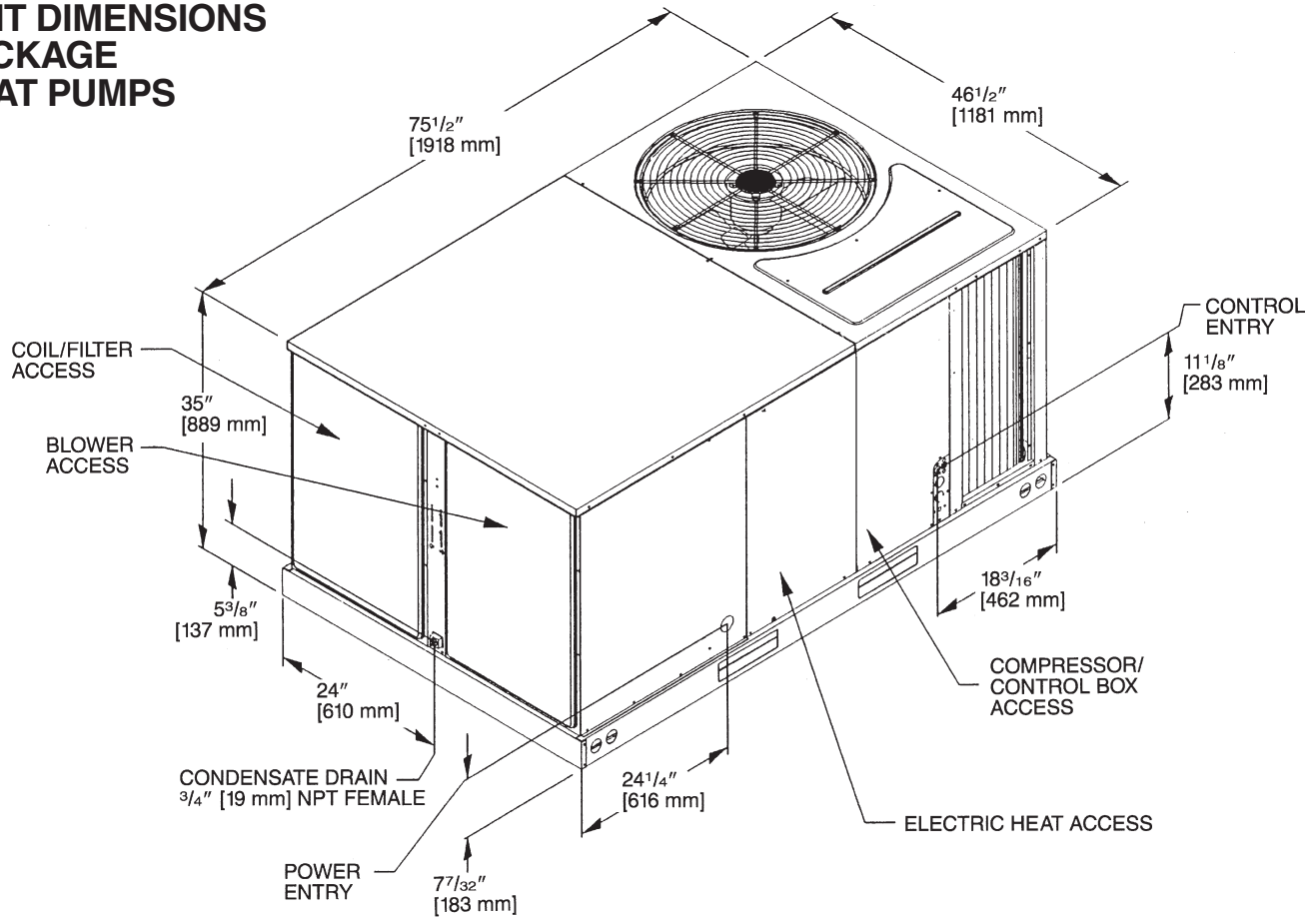


208-240 VOLT, SINGLE PHASE, 60 HZ, AUXILIARY ELECTRIC HEATER KITS CHARACTERISTICS AND APPLICATION													
Separate Power Supply For Both Unit and Heater Kit													
Model No. RJNA-	RXJJ- Heater Kit Nominal kW	Rated Heater kW @ 208-240 V	Heater KBTU/Hr @ 208-240 V	Heater Amp. @ 208-240 V	Unit Min. Ckt. Ampacity @ 208-240 V	Over Current Protective Device Size @ 240 V		Heater Kit Max. Fuse Size	Heater Kit Min. Ckt. Ampacity	Heat Pump Min. Ckt. Ampacity 208-240 V	Heat Pump Over Current Protective Device Size @ 240 V		
						Min./Max. @ 208 V	Min./Max. @ 240 V				Min./Max. @ 208 V	Min./Max. @ 240 V	
A036JK	No Heat	—	—	—	25/25	30/35	30/35	—	—	25/25	30/35	30/35	—
	A06J+	4.2/5.6	14.33/19.10	20.2/23.3	51/55	60/60	60/60	30/30	26/30	—	—	—	—
	A10J+	7.2/9.6	24.56/32.75	34.7/40.0	69/75	70/70	80/80	45/50	44/50	—	—	—	—
	*A11J+	7.2/9.6	24.56/32.75	34.7/40.0	69/75	70/70	80/80	45/50	44/50	—	—	—	—
	A12J+	8.4/11.2	28.66/38.21	40.4/46.7	76/84	80/80	90/90	60/60	51/59	—	—	—	—
	A15J+	10.8/14.4	36.84/49.13	52.0/60.0	90/100	90/90	100/100	70/80	65/75	—	—	—	—
A042JK	A20J+	14.4/19.2	49.13/65.51	69.3/80.0	112/125	125/125	125/125	90/100	87/100	—	—	—	—
	*A21J+	14.4/19.2	49.13/65.51	69.3/80.0	112/125	125/125	125/125	90/100	87/100	—	—	—	—
	No Heat	—	—	—	27/27	35/40	35/40	—	—	27/27	35/40	35/40	—
	A06J+	4.2/5.6	14.33/19.10	20.2/23.3	53/56	60/60	60/60	30/30	26/30	—	—	—	—
	A10J+	7.2/9.6	24.56/32.75	34.7/40.0	71/77	80/80	80/80	45/50	44/50	—	—	—	—
	*A11J+	7.2/9.6	24.56/32.75	34.7/40.0	71/77	80/80	80/80	45/50	44/50	—	—	—	—
A048JK	A12J+	8.4/11.2	28.66/38.21	40.4/46.7	78/86	80/80	90/90	60/60	51/59	—	—	—	—
	A15J	10.8/14.4	36.84/49.13	52.0/60.0	92/102	100/100	110/110	70/80	65/75	—	—	—	—
	A20J	14.4/19.2	49.13/65.51	69.3/80.0	114/127	125/125	150/150	90/100	87/100	—	—	—	—
	*A21J+	14.4/19.2	49.13/65.51	69.3/80.0	114/127	125/125	150/150	90/100	87/100	—	—	—	—
	No Heat	—	—	—	30/30	35/45	35/45	—	—	30/30	35/45	35/45	—
	A06J+	4.2/5.6	14.33/19.10	20.2/23.3	55/59	60/60	60/70	30/30	26/30	—	—	—	—
A060JK	A10J+	7.2/9.6	24.56/32.75	34.7/40.0	73/80	80/80	80/80	45/50	44/50	—	—	—	—
	*A11J+	7.2/9.6	24.56/32.75	34.7/40.0	73/80	80/80	80/80	45/50	44/50	—	—	—	—
	A12J+	8.4/11.2	28.66/38.21	40.4/46.7	80/88	80/80	90/90	60/60	51/59	—	—	—	—
	A15J	10.8/14.4	36.84/49.13	52.0/60.0	95/105	100/100	110/110	70/80	65/75	—	—	—	—
	A20J	14.4/19.2	49.13/65.51	69.3/80.0	116/130	125/125	150/150	90/100	87/100	—	—	—	—
	*A21J+	14.4/19.2	49.13/65.51	69.3/80.0	116/130	125/125	150/150	90/100	87/100	—	—	—	—
A066JK	No Heat	—	—	—	46/46	60/60	60/60	—	—	46/46	60/60	60/60	—
	A06J+	4.2/5.6	14.33/19.10	20.2/23.3	72/75	80/90	80/90	30/30	26/30	—	—	—	—
	A10J+	7.2/9.6	24.56/32.75	34.7/40.0	90/96	100/110	100/110	45/50	44/50	—	—	—	—
	*A11J+	7.2/9.6	24.56/32.75	34.7/40.0	90/96	100/110	100/110	45/50	44/50	—	—	—	—
	A12J+	8.4/11.2	28.66/38.21	40.4/46.7	97/105	100/110	110/110	60/60	51/59	—	—	—	—
	A15J	10.8/14.4	36.84/49.13	52.0/60.0	111/121	125/125	125/125	70/80	65/75	—	—	—	—
A072JK	A20J	14.4/19.2	49.13/65.51	69.3/80.0	133/146	150/150	150/150	90/100	87/100	—	—	—	—
	*A21J+	14.4/19.2	49.13/65.51	69.3/80.0	133/146	150/150	150/150	90/100	87/100	—	—	—	—

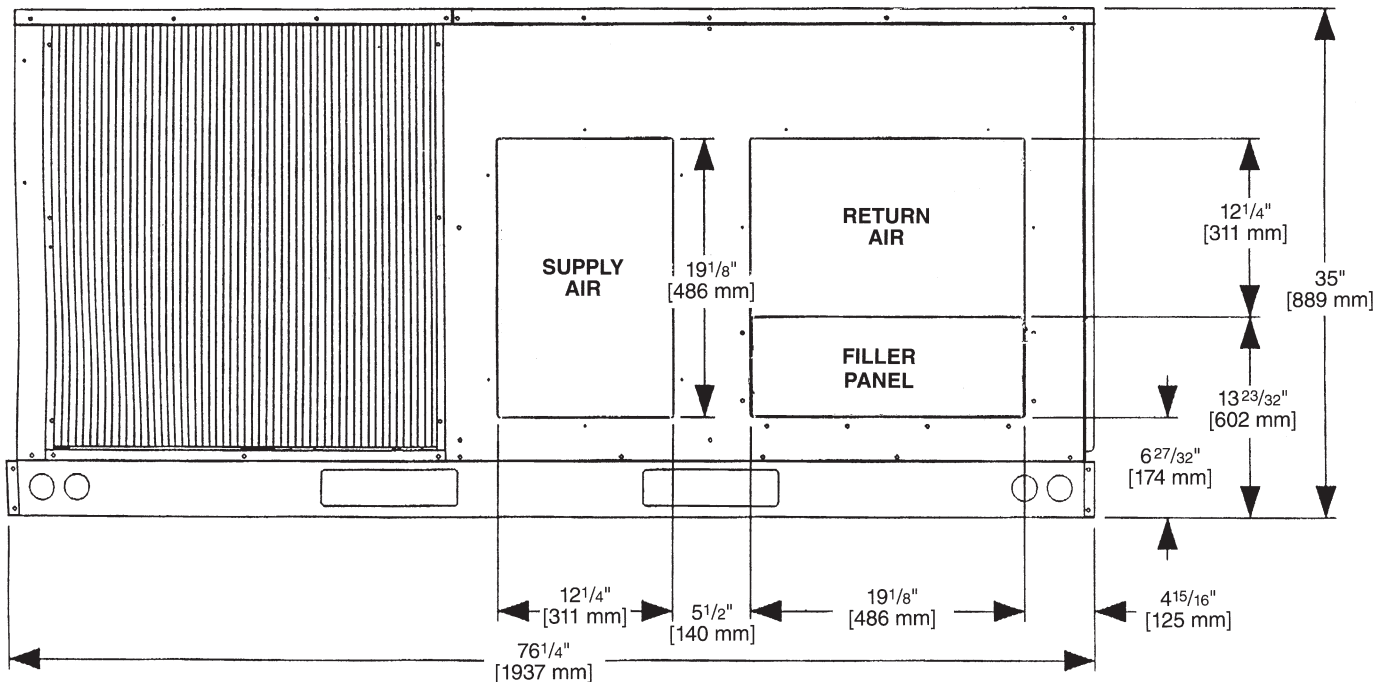
+ Field Installed Only
 * = For Canadian Use Only. Uses "P" Fuses for Inductive Circuit.



UNIT DIMENSIONS PACKAGE HEAT PUMPS

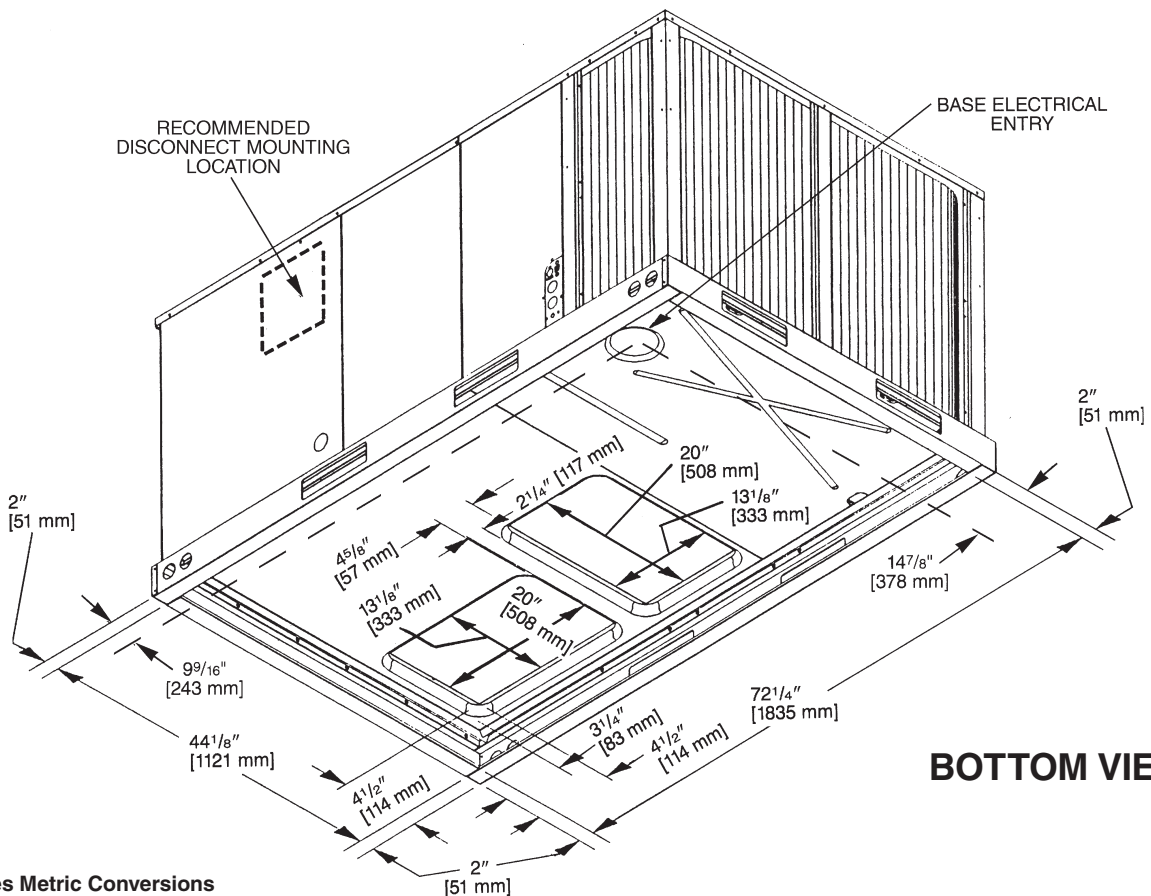
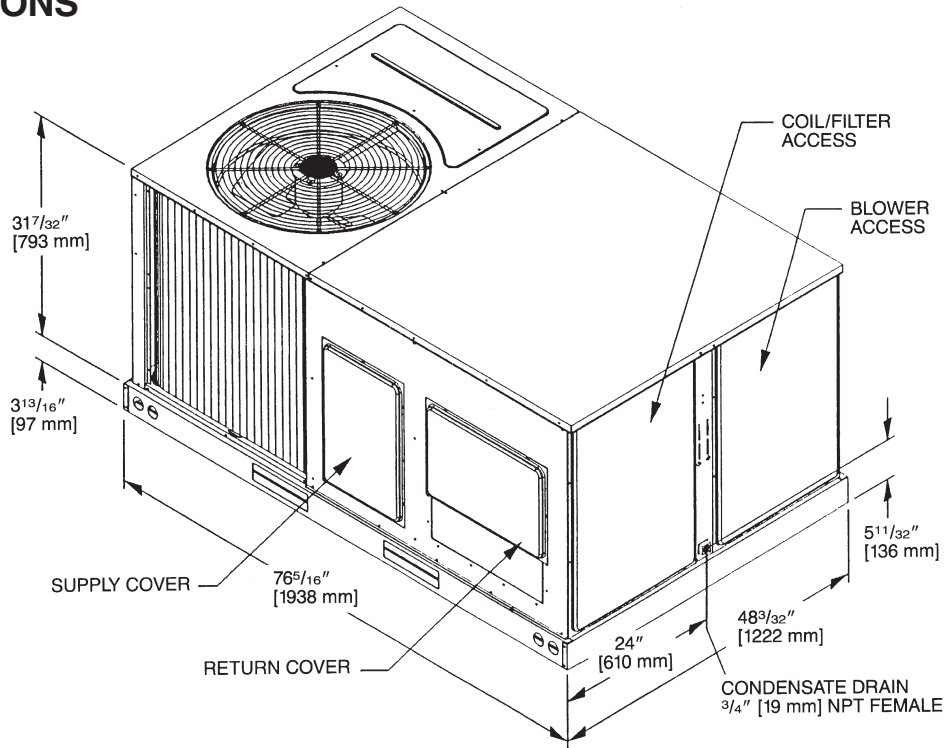


SUPPLY AND RETURN DIMENSIONS



[] Designates Metric Conversions

UNIT DIMENSIONS PACKAGE HEAT PUMPS



BOTTOM VIEW

[] Designates Metric Conversions

SELECTION PROCEDURE

1. Determine cooling and heating requirements at design conditions.

Example:

Total cooling capacity43,600 BTUH [12.78 kW]
 Sensible cooling capacity34,000 BTUH [9.96 kW]
 Condenser entering air95°F [35°C]
 Evaporator entering air63°F [17°C] wb/76°F [24°C] db
 Indoor air flow1600 CFM [755 L/s]
 External static pressure1.1 in wg
 Required efficiency13 SEER

2. Select unit to meet cooling requirements.

Since total cooling is within the range of 4 ton [14.07 kW] unit and requires 13 SEER efficiency level, enter cooling performance table, at 95°F [35°C] outdoor temperature, 63°F [17°C] wb entering indoor air, and 1600 CFM [755 L/s]:

Total capacity46,700 BTUH [13.68 kW]
 Power input3.3 kW

And also, at 76°F [24°C] db indoor entering air, and using the formula at the bottom of the page:

Sensible capacity33,710 BTUH [9.87 kW]

3. Determine blower speed and power to meet the system requirements.

At the given external static pressure of 1.1 in wg, the belt model must be selected. Enter the belt drive blower performance table at 1600 CFM [755 L/s] and 1.1 in wg ESP:

RPM1205
 Watts725
 DriveM

4. Calculate indoor blower BTUH heat effect.

BTUH = Watts x 3.413 = 2474

5. Calculate net cooling capacities.

Net total cooling = 46,700 – 2474 = 44,226 BTUH [12.96 kW]
 Net sensible cooling = 33,716 – 2474 = 31,242 BTUH [9.16 kW]

WEIGHTS

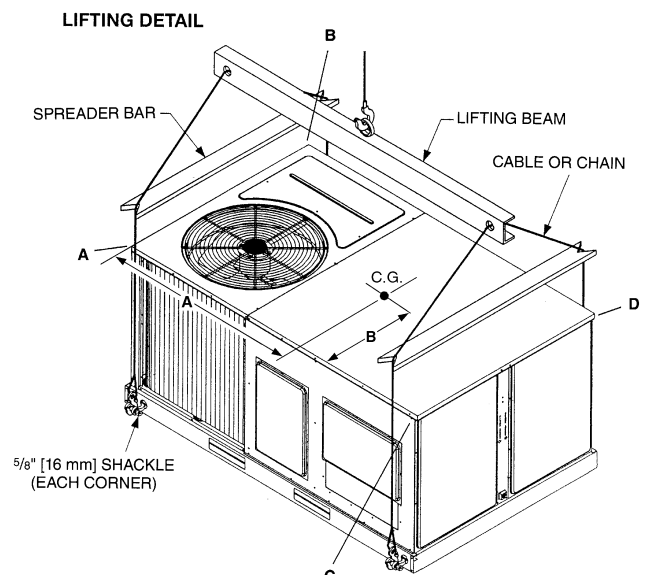
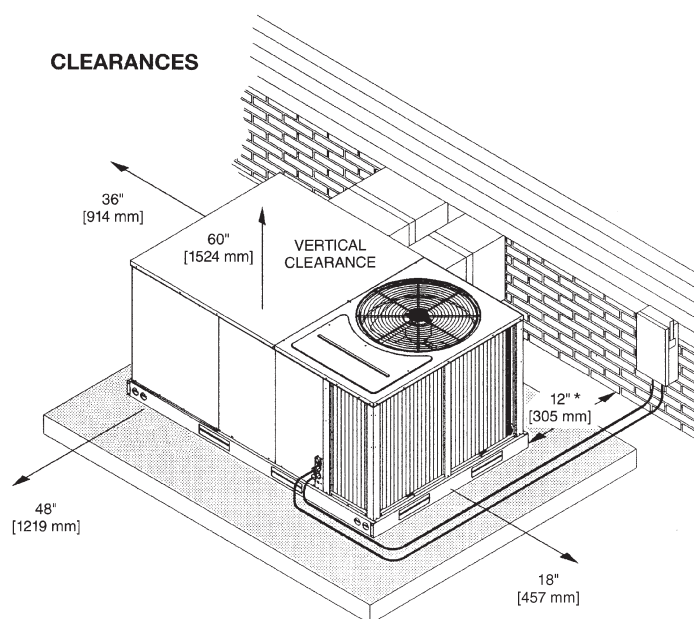
Accessory	Shipping—lbs [kg]	Operating—lbs [kg]
Economizer	142 [64]	130 [59]
Power Exhaust	30 Est. [13]	25 Est. [11]
Horizontal Economizer	90 [41]	80 [36]
Fresh Air Damper (Manual)	11 [5]	9 [4]
Fresh Air Damper (Motorized)	13 [6]	11 [5]
Roof Curb 8"	84 [38]	80 [36]
Roof Curb 14"	92 [42]	88 [40]
Roof Curb 24"	108 [49]	104 [47]

CENTER OF GRAVITY (C.G.)

Capacity Tons [kW]	A in. [mm]	B in. [mm]
3-5 [10.6-17.6]	38 ¹ / ₄ [972]	25 ³ / ₄ [654]

Capacity Tons [kW]	Corner Weights by Percentage			
	A	B	C	D
3-5 [10.6-17.6]	23%	27%	23%	27%

[] Designates Metric Conversions



*Allow 57" for economizer on duct side.



ACCESSORY EQUIPMENT

Accessory Description	Model Application 3 to 5 Ton [10.6 to 17.6 kW]	Accessory Model No. 3 to 5 Ton [10.6 to 17.6 kW]	Factory Installed 3 to 5 Ton [10.6 to 17.6 kW]
Electric Heater Kits	RJNA-	RXJJ-A06 (J, C, D) RXJJ-A10 (J, C, D) RXJJ-A11 (J, C, D) RXJJ-A12 (J, C, D) RXJJ-A15 (J, C, D) RXJJ-A20 (J, C, D) RXJJ-A21 (J, C, D) RXJJ-A24 (J, C, D)	See Heater Kit Electric Table
Roofcurb 14"	RJNA-	RXKG-BAD14	No
Roofcurb 24"	RJNA-	RXKG-BAD24	No
Roofcurb Adapters	RJNA-	RXR-BCDB21 RXR-BCDB22 RXR-BCDB23	No
Economizer with Single Enthalpy ①	RJNA-	RXR-KECM3	Yes
Dual Enthalpy Kit	RJNA-	RXR-AV02	No
CO ₂ Sensor	RJNA-	RXR-AR02	No
Power Exhaust	RJNA-	RXR-BFF04C	No
Fresh Air Damper Manual	RJNA-	RXR-FBA1	No
Fresh Air Damper Motorized	RJNA-	RXR-FBB1	No
Rectangular to Round 18" Duct Adapters for Concentric Diffuser	RJNA-	RXMC-CB03	No
Concentric Diffuser 18" Step	RJNA-	RXR-FA60	No
Concentric Diffuser 18" Flush	RJNA-	RXR-FA70	No
Rectangular to Round 16" Side	RJNA-	RXMC-BB01	No
Louver Kit (3 Sides)	All RJNA Models	RXR-AAD01B	Yes
Time Delay	RJNA-	RXMD-B01	Yes
Low Ambient Control to 0°F [-18°C]	RJNA-	RXPZ-C01	Yes

*Voltage
 J = 208-230 VAC-1PH-60HZ D = 460 VAC-3PH-60HZ
 C = 208-230 VAC-3PH-60HZ

NOTES: ① Economizer is designed for downflow or horizontal applications.

Roofcurb Adapters

Old Models

MEDIUM CABINET (3 TON [11 kW])

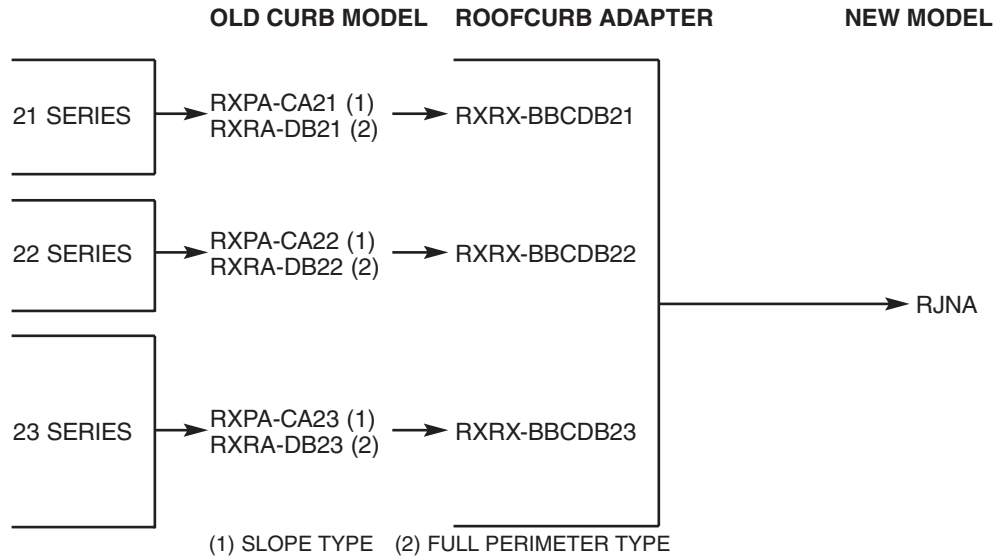
(-)SNC, (-)SND, (-)SNE
 (-)RGE, (-)RGF, (-)RGG
 (-)PNC, (-)PND

LARGE CABINET (3-3.5 TON [11-12 kW])

(-)RGE, (-)RGF, (-)RGG,
 (-)RGH (3 TON [11 kW])

EXTRA LARGE CABINET (3.5-5 TON [12-18 kW])

(-)SNC, (-)SND, (-)SNE
 (-)RGE, (-)RGF,
 (-)RGG (4-5 TON [14-18 kW])
 (-)PNC, (-)PND, (-)RGH
 (3.5, 4 TON [12-14 kW])

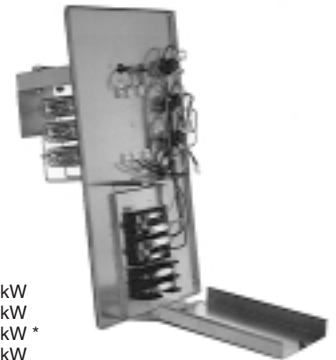
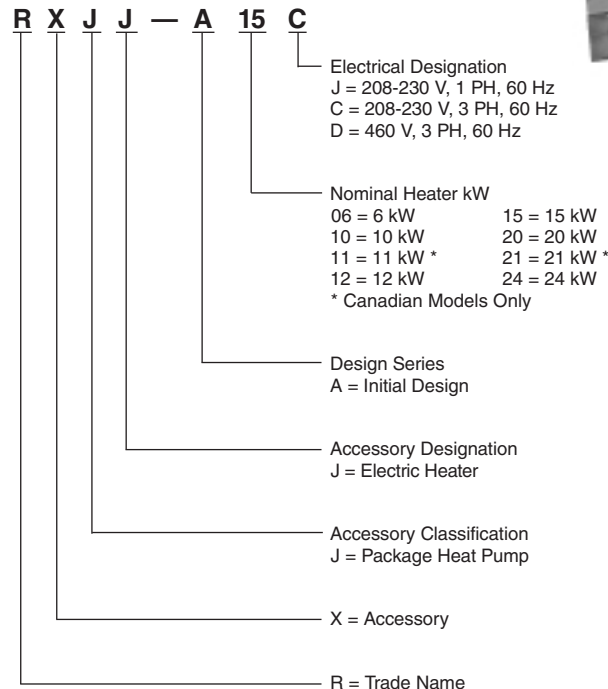


Field Installed Resistance Heater Kits

Electric Heater Kits are designed for field installation using either single-point power wiring or dual circuit wiring. Low voltage plugs are provided to allow for quick connection to the unit. Removing a block-off panel on the unit allows the heater elements to be inserted into the supply air down stream from the indoor coil and supply air blower.

[] Designates Metric Conversions

Model Number Identifier:



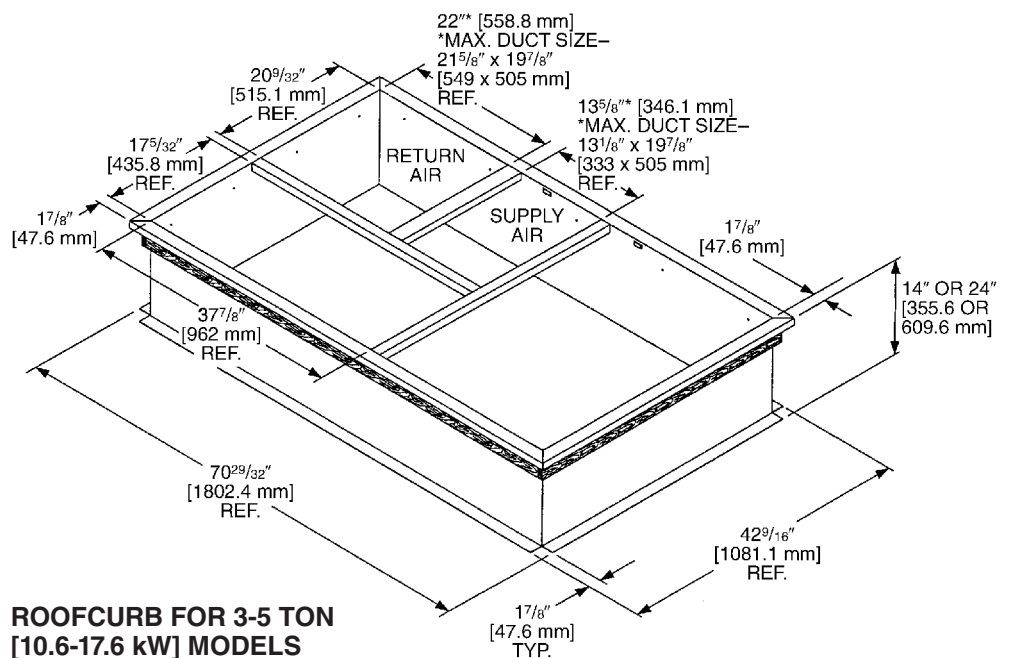
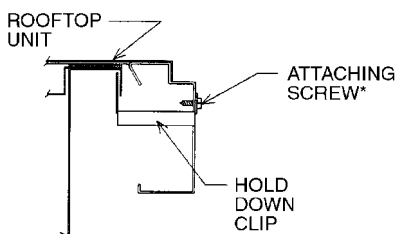
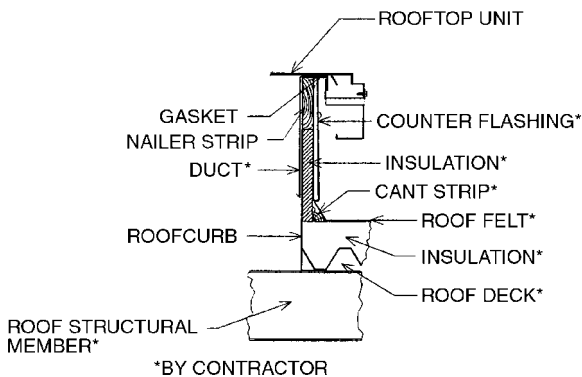
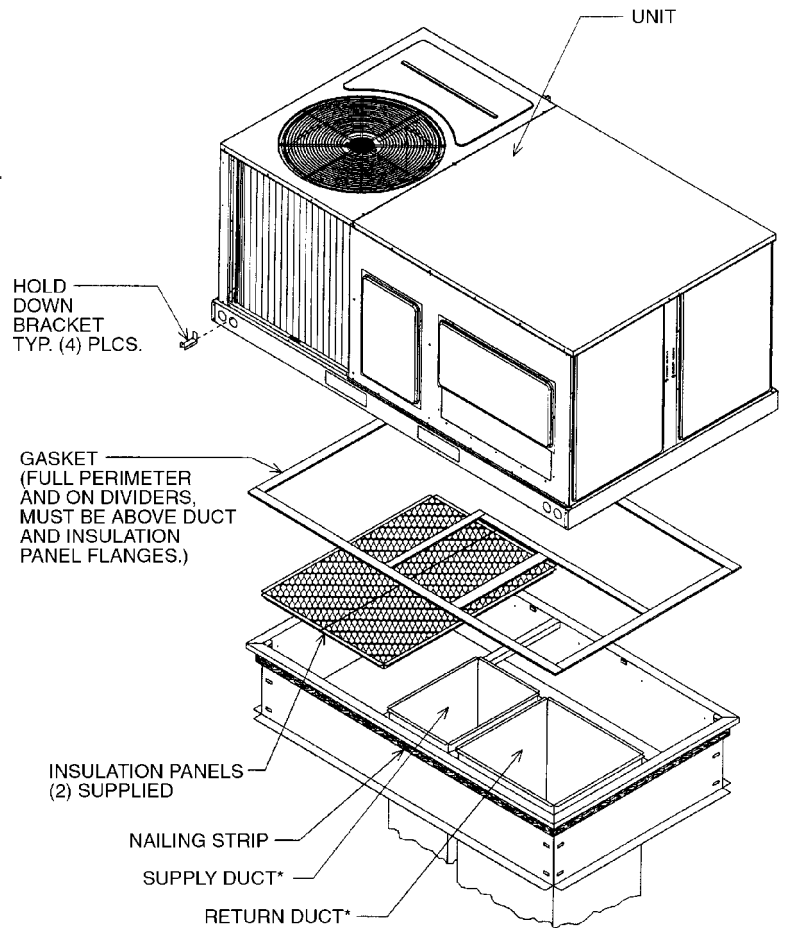
ROOFCURBS (Full Perimeter)

- Rheem's new roofcurb design can be utilized on 3 through 5 ton [10.6-17.6 kW] models.
- Two available heights (14" [356 mm] and 24" [610 mm]) for ALL models.
- Quick assembly corners for simple and fast assembly.
- Opening provided in bottom pan to match the "Thru the Curb" electrical connection opening provided on the unit base pan.
- 2" [51 mm] x 4" [102 mm] Nailer provided.
- Insulating panels provided.
- Sealing gasket (28" [711 mm]) provided with Roofcurb.
- Packaged for easy field assembly.

Roofcurb Model	Height of Curb
RXKG-BAD14	14" [356 mm]
RXKG-BAD24	24" [610 mm]

[] Designates Metric Conversions

TYPICAL INSTALLATION



ROOFCURB FOR 3-5 TON [10.6-17.6 kW] MODELS

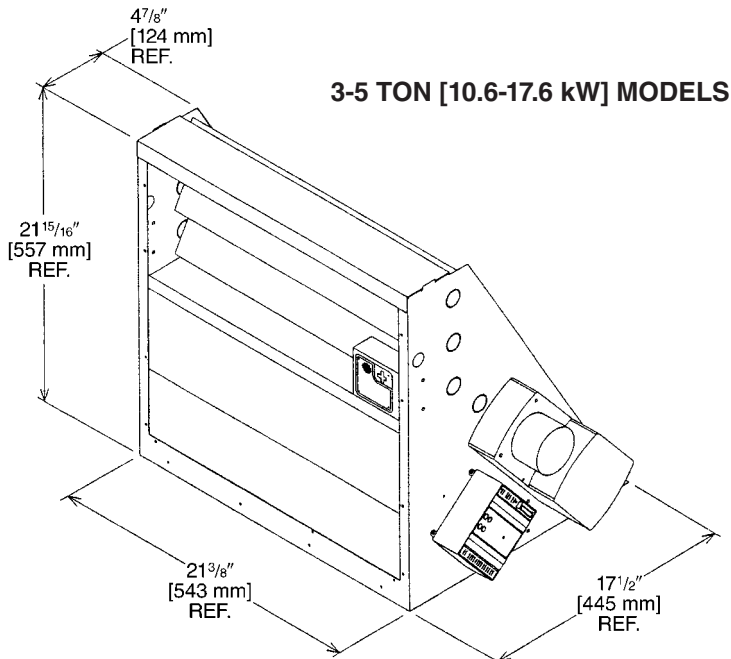
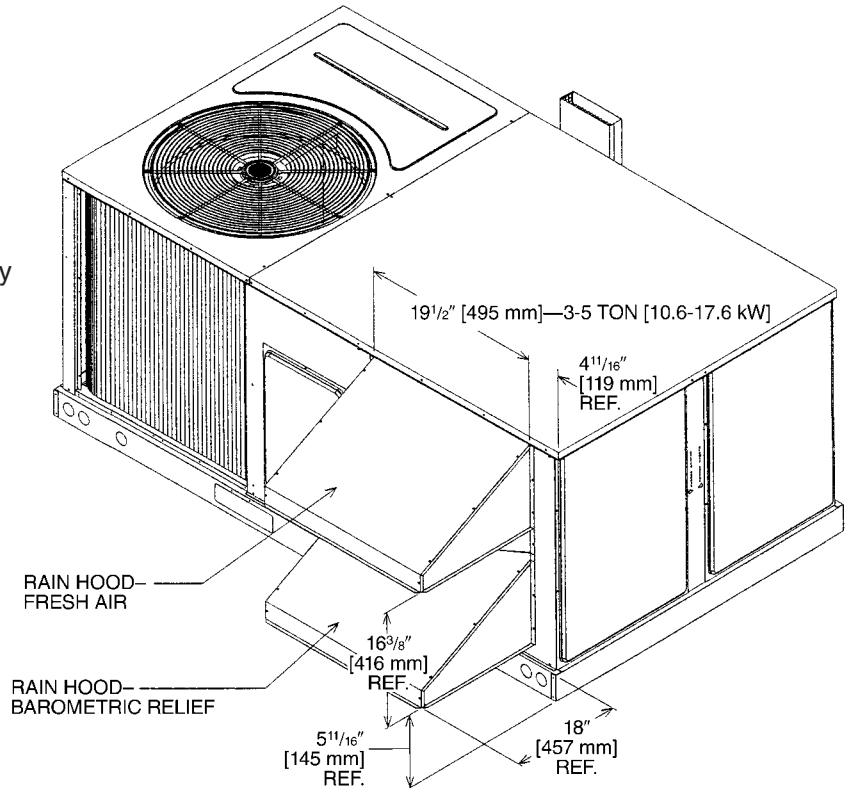
ECONOMIZERS

RXRD-KECM3—3-5 Ton [10.6-17.6 kW] Models Single Enthalpy with Barometric Relief

RXXR-AV02—Dual Enthalpy Kit
3-5 Ton [10.6-17.6 kW] Models

RXXR-AR02—3-5 Ton [10.6-17.6 kW] Models Optional CO₂ Sensor

- Features **Honeywell** Controls
- Available factory installed or field accessory
- Gear Driven Direct Drive Actuator
- Fully Modulating (0-100%)
- Low Leakage Dampers
- Horizontal or Downflow Applications
- Slip-In Design for Easy Installations
- Plug-In Polarized 12-pin Electrical Connections
- Pre-configured—No Field Adjustments Necessary
- Standard Barometric Relief Damper Provided
- Single Enthalpy with Dual Enthalpy Upgrade Kit
- CO₂ Input Sensor Available (Field Installed)
- Economizer slips in complete for Downflow or Horizontal Duct application
- Field Assembled Hood Ships with Economizer
- Optional Remote Minimum Position (Honeywell #S963B1128) is Available from ProStock
- Field Installed Power Exhaust Available

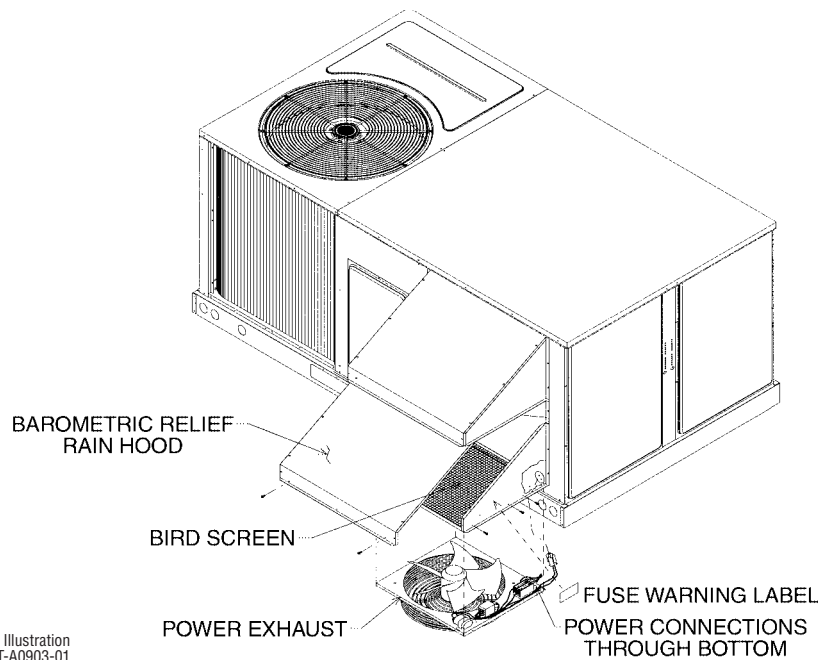


[] Designates Metric Conversions

INTEGRAL POWER EXHAUST FOR ECONOMIZER (FIELD INSTALLED ONLY)

RXRX-BFF04C—3-5 Ton [10.6-17.6 kW] Models 208-230 V, 1 PH, 60 Hz

- For **RXRD-KECM3** Economizer
- Downflow or horizontal applications
- Requires separate power supply with disconnect
- Adjustable switch on economizer, factory preset to energize power exhaust at 95% outside air position
- Polarized plug connects power exhaust relay to economizer



POWER EXHAUST KIT FOR RXRD-ECCM(-), RXRD-EECM(-) ECONOMIZERS

Model No.	No. of Fans	Volts	Phase	Watts (ea.)	High Speed		FLA (ea.)	LRA (ea.)
					CFM ①	RPM		
RXRX-BFF04C	1	208-230	1	240	2600	1700	1.06	1.9

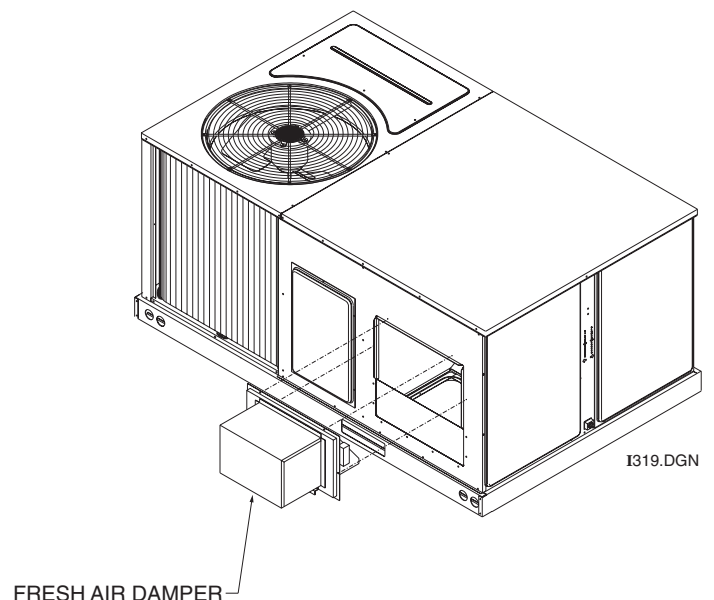
① CFM is at 0" w.c. external static pressure.

FRESH AIR DAMPER

3 to 5 Ton [10.6 to 17.6 kW] Models

RXRF-FBA1 (Manual)

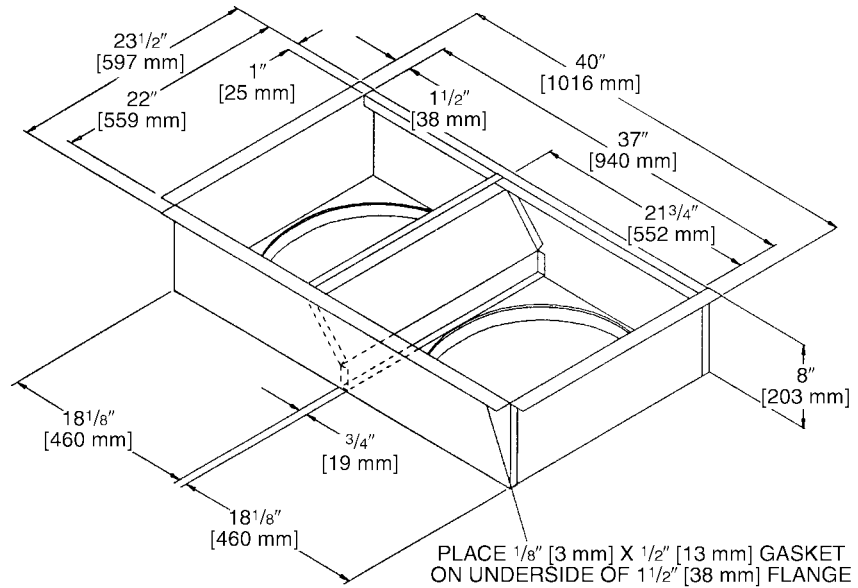
RXRF-FBB1 (Motorized)



[] Designates Metric Conversions

**DUCT ADAPTERS (3 TO 5 TON [10.6 TO 17.6 kW] MODELS)
 Rectangular to Round
 Transitions (Downflow)
 RXMC-CB03 – 18" [457 mm] Round**

Available in 18 inch round to fit all units. Drops into and secures to RXKG- Series Roofcurbs. For use with Concentric Diffusers.

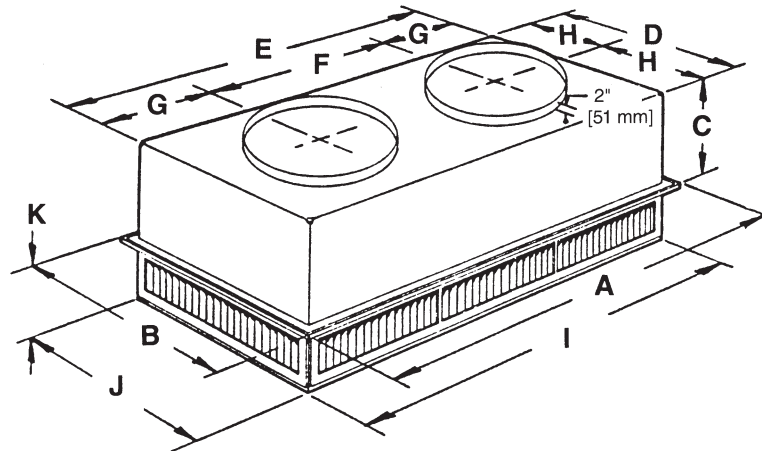


[] Designates Metric Conversions

SIDE DISCHARGE CONCENTRIC DIFFUSER

RXRN-FA60 (3 to 5 Ton [10.6 to 17.6 kW] Models)

For Use With Duct Adapter (RXMC)



DIMENSIONAL DATA

Model No.	A	B	C	D	E	F	G	H	I	J	K	Duct Size
RXRN-FA60	47 ⁵ / ₈ " [1210 mm]	23 ⁵ / ₈ " [600 mm]	11 ³ / ₈ " [289 mm]	21 ¹ / ₂ " [546 mm]	45 ¹ / ₂ " [1156 mm]	22 ¹ / ₂ " [572 mm]	11 ¹ / ₂ " [292 mm]	10 ³ / ₄ " [273 mm]	45 ¹ / ₂ " [1156 mm]	21 ¹ / ₂ " [546 mm]	7 ¹ / ₈ " [181 mm]	18RD

ENGINEERING DATA

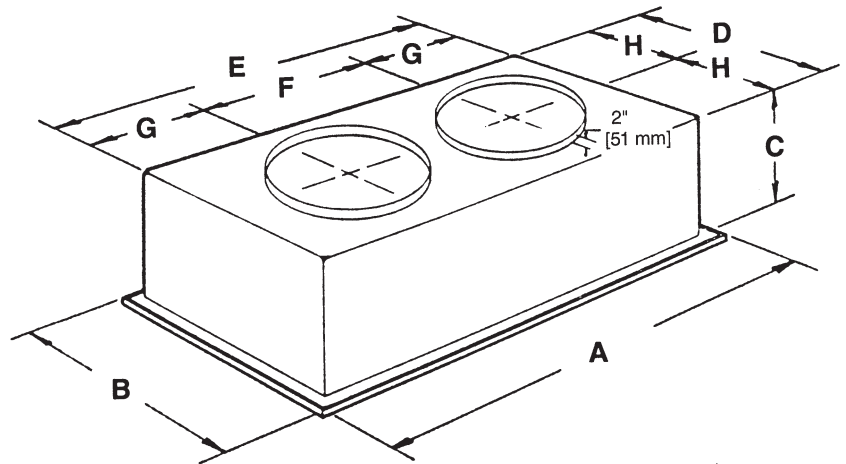
Model No.	CFM [L/s]	Static Pressure	Throw Feet	Neck Vel.	Jet Vel.	Noise Level
RXRN-FA60	1000 [472]	.14	10-17	351	351	20
	1200 [566]	.17	11-18	421	421	20
	1400 [661]	.20	12-19	491	491	20
	1600 [755]	.24	12-20	561	561	20
	1800 [850]	.30	13-21	632	632	20
	2000 [944]	.36	14-23	702	702	20
	2200 [1038]	.40	16-25	772	772	20

[] Designates Metric Conversions

FLUSH MOUNT CONCENTRIC DIFFUSER

RXRN-FA70 (3 to 5 Ton [10.6 to 17.6 kW] Models)

For Use With Duct Adapter (RXMC)



DIMENSIONAL DATA

Model No.	A	B	C	D	E	F	G	H	Duct Size
RXRN-FA70	47 ⁵ / ₈ " [1210 mm]	23 ⁵ / ₈ " [600 mm]	13 ¹ / ₂ " [343 mm]	21" [533 mm]	45" [1143 mm]	22 ¹ / ₂ " [572 mm]	11 ¹ / ₄ " [286 mm]	10 ¹ / ₂ " [267 mm]	18RD

ENGINEERING DATA

Model No.	CFM [L/s]	Static Pressure	Throw Feet	Neck Vel.	Jet Vel.	Noise Level
RXRN-FA70	1000 [472]	.14	15-20	391	694	20
	1200 [566]	.17	16-22	469	833	25
	1400 [661]	.20	17-24	547	972	30
	1600 [755]	.24	18-25	625	1111	30
	1800 [850]	.30	20-28	703	1250	35
	2000 [944]	.36	21-29	781	1389	40
	2200 [1038]	.40	22-30	859	1528	40

[] Designates Metric Conversions



THERMOSTATS—PACKAGE HEAT PUMPS RECOMMENDED HEAT PUMP THERMOSTATS

Units Without Economizer				
Manufacturer	Model	Sub-Base	Cooling Stages	Heating Stages
Honeywell	T7300A1005	Q7300C1006	1	2
	T8611R1166	Included	1	2
	T874R	Q674F1360	1	2
	T841A1209	Included	1	2
	T874G1881	Q674F1360	1	2
	T8141A	Included	1	2
General Electric	3AAT86B8A2	Included	1	2
	3AAT83D9C1	Included	1	2
White-Rodgers	1F59-057	Included	1	2
	1F92-71	Included	2	3
Maple Chase	962-0	Included	1	2
	962-1	Included	1	2
Units With Economizer				
Honeywell	T874W1031	Included	2	3

SAMPLE SPECIFICATIONS

Unit shall be completely factory assembled and performance tested to provide the required cooling and heating functions suitable for outdoor installations. Unit shall be UL/cUL listed and rated in accordance to ARI Standard 210.

Cabinet

Unit casing, base pan and framework shall be manufactured of galvanized sheet metal primed and finished with powder paint capable of withstanding a 1000-hour salt spray test per ASTM B 117. Unit interior cabinet surfaces shall be insulated with a minimum 1/2-inch thick foil faced insulation. Access panels shall be easily removable providing access to the blower, filter, heating compartment, and compressor/control box. Unit base rails shall be provided with fork insertion slots and rigging holes. Condensate drain pan shall be of sloped design to conform to ASHRAE 62. Unit shall be supplied ready for vertical airflow and be easily convertible to horizontal airflow at or before installation.

Compressor(s)

Unit shall be provided with fully hermetic scroll compressor(s) with internally protected safety controls.

Coils

The evaporator and condenser coils shall be fabricated of copper tubes with mechanically bonded aluminum plate fins. They shall be pressure tested prior to assembly into the unit, and electronically leak tested after assembly.

Condenser Fan

A single direct drive propeller fan shall discharge air vertically upward. The fan motor shall be permanently lubricated and have built-in overload protection.

Evaporator Blower

A single, double inlet, centrifugal wheel shall rotate in permanently lubricated ball bearings. The wheel shall be made from steel with corrosion resistant finish and shall be statically and dynamically balanced.

ACCESSORIES

ROOF CURB

Curb shall be full perimeter type, complying with the standards of the National Roofing Contractors Association. Design shall provide for drop-in of supply and return ducts prior to setting unit, and include an insulating panel for the rest of the curb area.

Economizer

Economizer shall be completely assembled for field installation. Unit shall include all controls and dampers including the barometric relief damper.

Manual Fresh Air Damper

Damper shall consist of damper and rainhood which is manually preset to admit up to 35% of outside air for field installation.

Motorized Fresh Air Damper

Damper shall consist of motor, damper, and rainhood which can admit up to 35% of outside air for field installation.

Electric Heat Kits

Electric heat kits shall be available in a wide range of capacity with branch circuit fusing allowing single point wiring. Kits shall be UL/cUL approved. Each kit shall be offered as a field or factory installed option.

Pressure Controls

High and low pressure controls shall be included for field or factory installation.

Low Ambient Control

Low ambient control shall be provided to cycle the condenser fan in response to condensing pressure and allow operation to 0 degrees F. The option shall be field or factory installed.

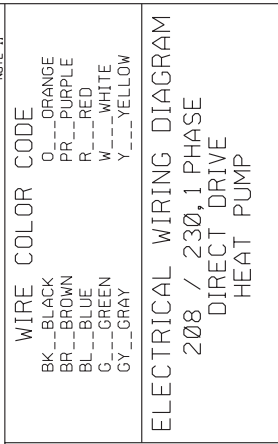
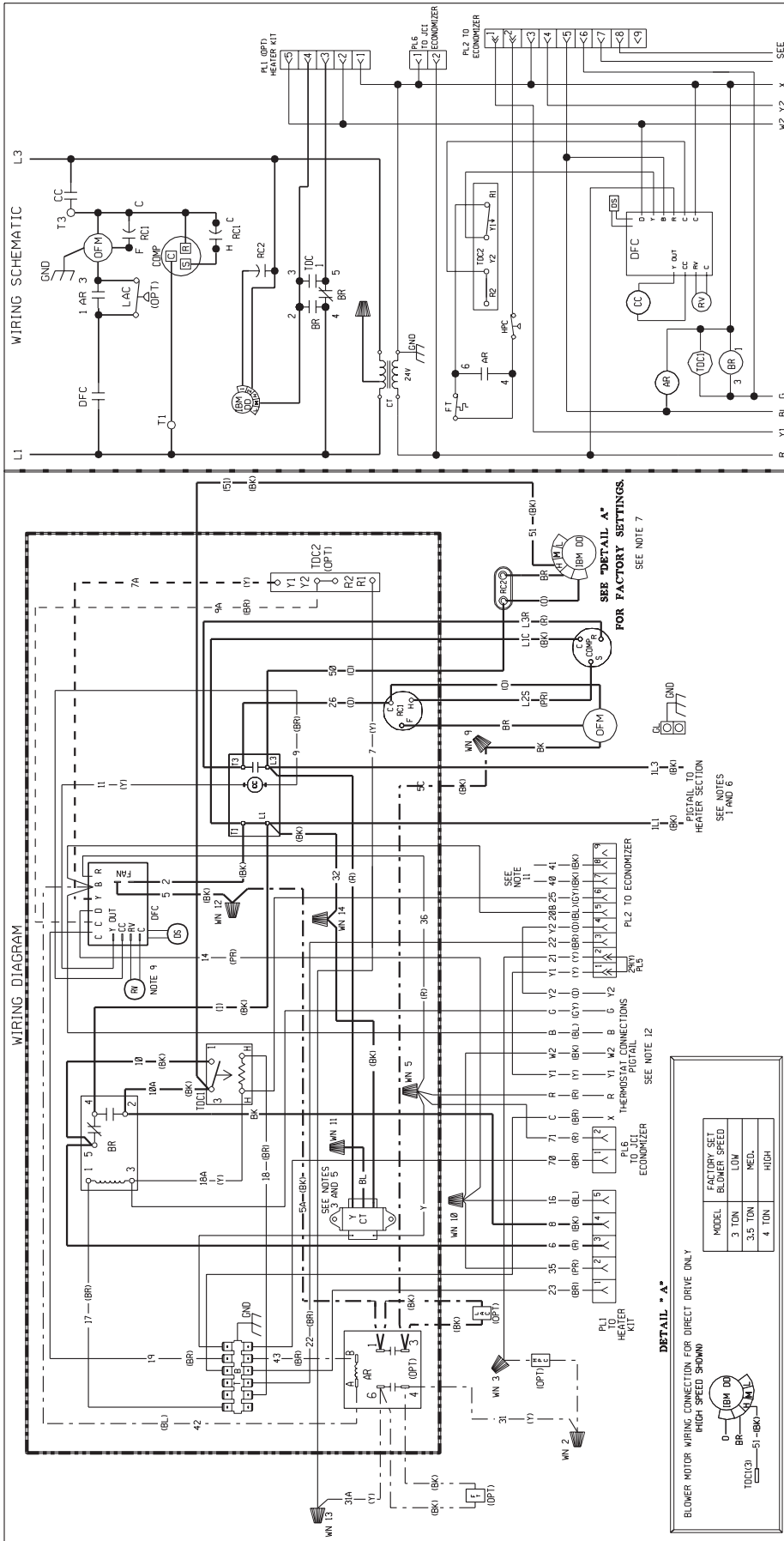
Time Delay Control

Time delay control shall be provided to prevent the compressor from restarting 5 minutes after shutdown. The control shall be field or factory installed.

Louver Panel Kits

Field or factory installed louver kits shall be provided for condenser coil protection against hail or flying debris.

[] Designates Metric Conversions



WIRING INFORMATION

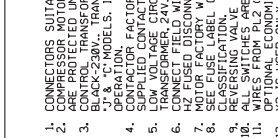
LINE VOLTAGE
 -FACTORY STANDARD
 -FACTORY OPTION
 -FIELD INSTALLED

LOW VOLTAGE
 -FACTORY STANDARD
 -FACTORY OPTION
 -FIELD INSTALLED

REPLACEMENT WIRE
 -MUST BE THE SAME SIZE AND TYPE OF INSULATION AS ORIGINAL (105 C° MIN.)
 -CABINET MUST BE PERMANENTLY GROUNDED AND CONFORM TO I.E.C., N.E.C., C.E.C. AND LOCAL CODES AS APPLICABLE.

NOTES:

- CONNECTORS SUITABLE FOR USE WITH COPPER CONDUCTORS ONLY.
- COMPRESSOR MOTOR THERMALLY PROTECTED. ALL 3 PHASE MODELS ARE PROTECTED UNDER PRIMARY SINGLE PHASE CONDITIONS.
- BLACK-230VOLT TRANSFORMER FACTORY WIRED FOR 230 VOLTS ON 'J' & 'C' MODELS; INTERCHANGE BLACK & BLUE LEADS FOR 208 VOLT OPERATION. FACTORY WIRES IN ELECTRICAL BOX.
- LOW VOLTAGE CIRCUIT IS N.E.C. CLASS 2 WITH A CLASS 2 CLASSIFICATION.
- CONNECT FIELD WIRING IN GROUNDED RAIN TIGHT CONDUIT TO 60 HZ FUSED DISCONNECT.
- MOTOR FACTORY WIRED FOR CORRECT SPEED FOR PULSE SIZING AND REVERSING VALVE ENERGIZED IN HEATING.
- REVERSING VALVE ENERGIZED IN COOLING POSITION.
- WIRES FROM PL 17 & 8 TO 10 TO THE MIXED AIR SENSOR ON THE OPTIONAL ECONOMIZER.
- Y2 IS USED ONLY FOR THE OPTIONAL ECONOMIZER.



COMPONENT CODE

AR	ACCESSORY RELAY	OPT	OPTIONAL
BR	BLOWER RELAY	PL	PLUG
CC	COMPRESSOR CONTACTOR	RC	RUN CAPACITOR
COMP	COMPRESSOR CONTROL	RV	REVERSING VALVE
CT	CONTROL TRANSFORMER	TB	TERMINAL BLOCK
DFC	DEFROST CONTROL	TDC	TIME DELAY CONTROL
DR	DEFROST RELAY	WN	WIRE NUT
DS	DEFROST SENSOR		
FS	FREEZE STAT		
GL	GROUND LUG		
GN	GROUND		
HC	HIGH PRESSURE CONTROL		
IBK	INDOOR BLOWER MOTOR		
LAC	LOW AMBIENT CONTROL		
OFM	OUTDOOR FAN MOTOR		

WIRE COLOR CODE

BK --- BLACK
 BR --- BROWN
 BL --- BLUE
 G --- GREEN
 GY --- GRAY
 O --- ORANGE
 PP --- PURPLE
 R --- RED
 W --- WHITE
 Y --- YELLOW

ELECTRICAL WIRING DIAGRAM
 208 / 230, 1 PHASE
 DIRECT DRIVE
 HEAT PUMP

DWG. NO. 90-23595-09

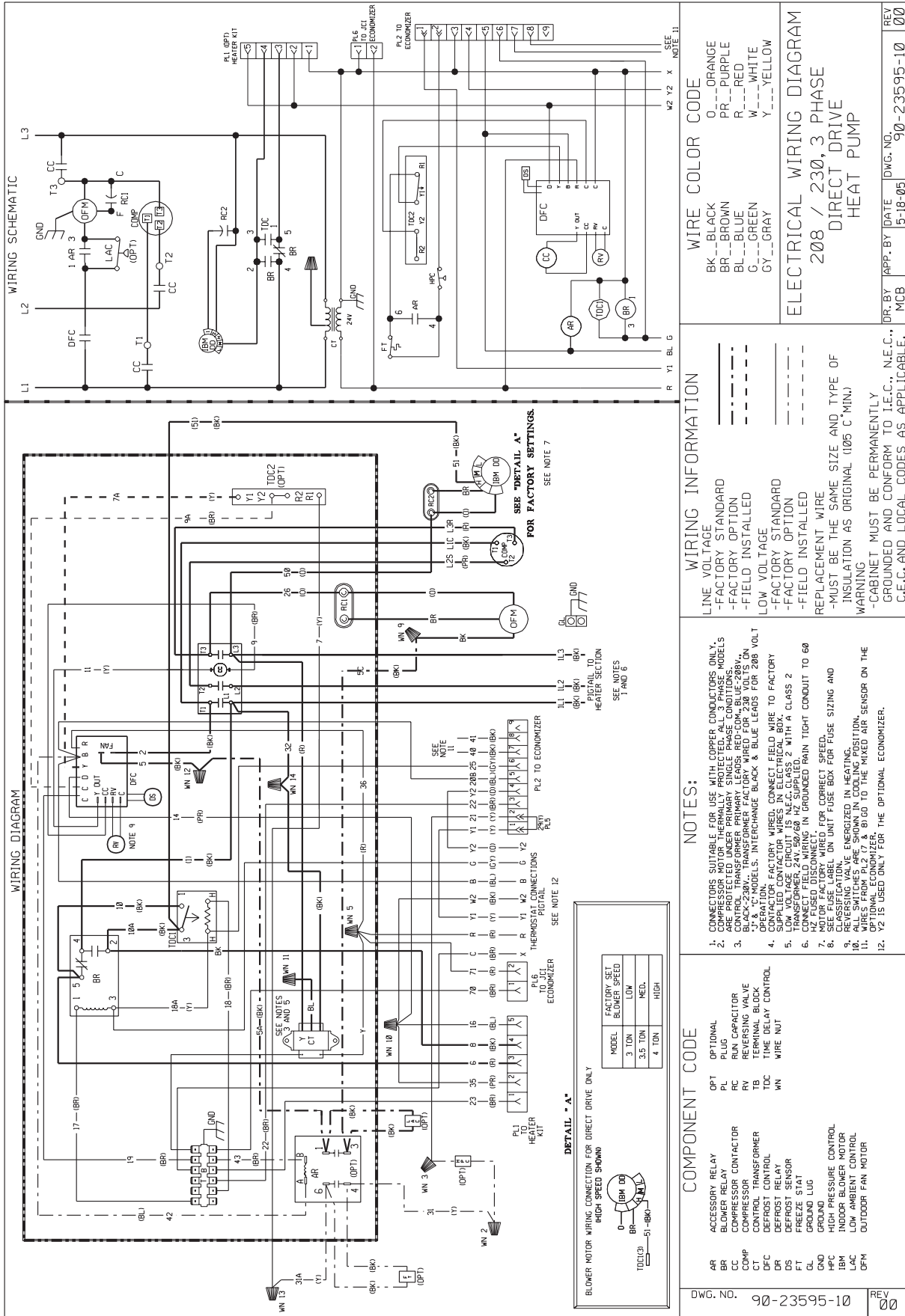
REV 00

DR. BY MCB

APP. BY DATE 5-18-05

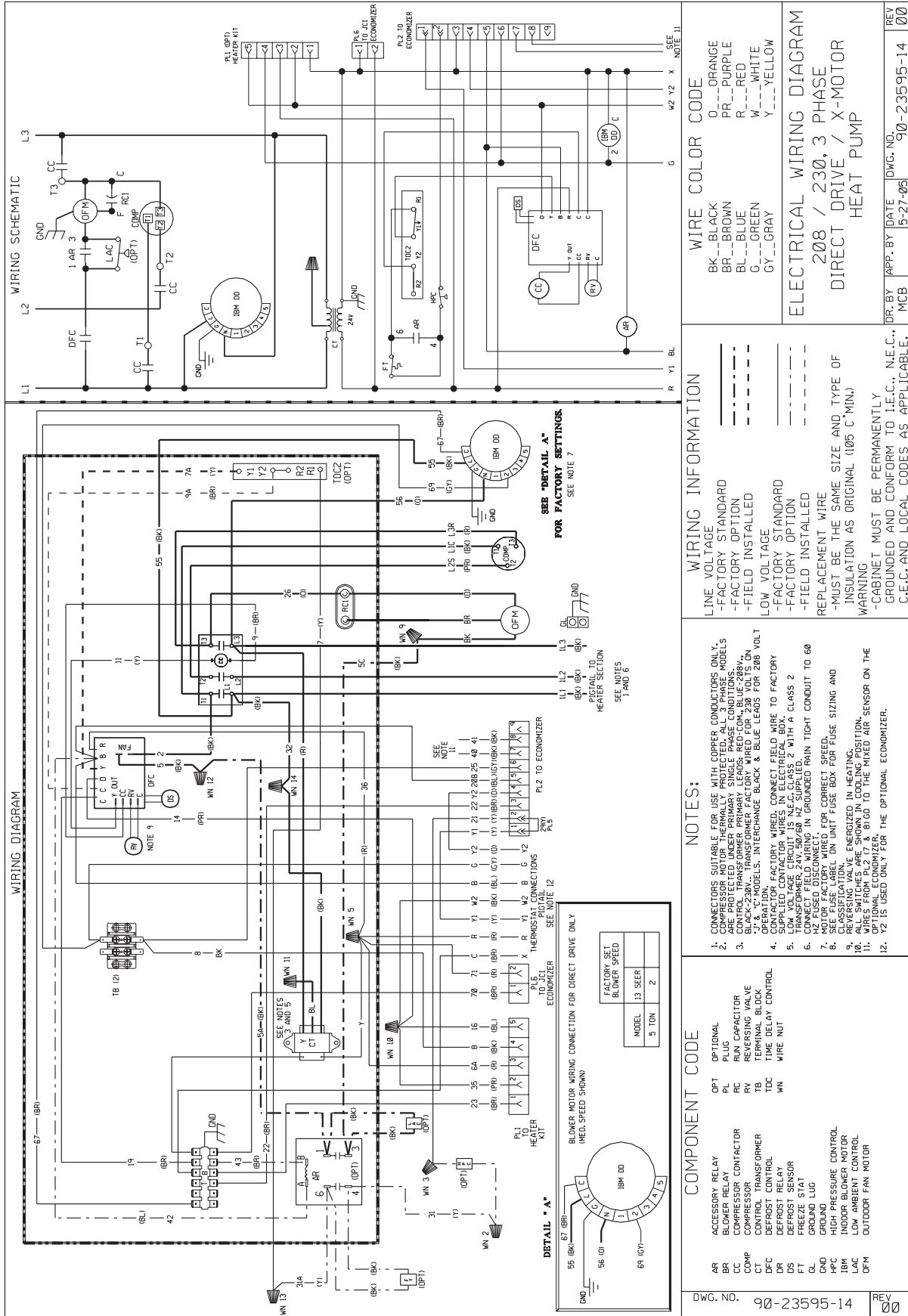
DWG. NO. 90-23595-09

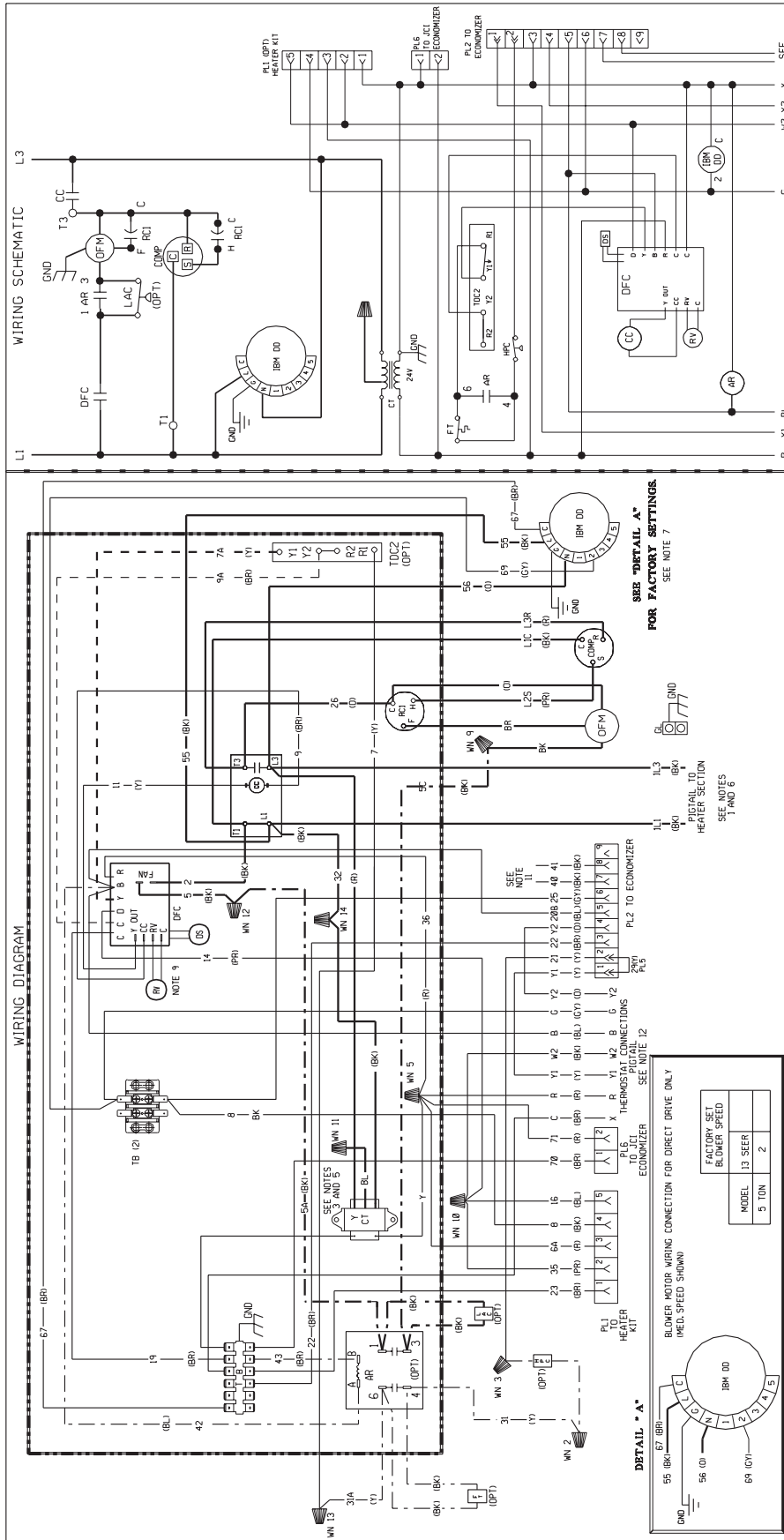
REV 00



DR. BY APP. BY DATE DWG. NO. REV

MCB 15-18-05 90-23595-10 00





WIRING INFORMATION

LINE VOLTAGE
 -FACTORY STANDARD
 -FACTORY OPTION
 -FIELD INSTALLED

LOW VOLTAGE
 -FACTORY STANDARD
 -FACTORY OPTION
 -FIELD INSTALLED

REPLACEMENT WIRE
 -MUST BE THE SAME SIZE AND TYPE OF INSULATION AS ORIGINAL (105 C MIN.)

WARNING
 -CABINET MUST BE PERMANENTLY GROUNDED AND CONFORM TO I.E.C., N.E.C., C.E.C. AND LOCAL CODES AS APPLICABLE.

WIRE COLOR CODE

BK---BLACK
 BR---BROWN
 BL---BLUE
 G---GREEN
 GR---GRAY
 O---ORANGE
 PR---PURPLE
 R---RED
 W---WHITE
 Y---YELLOW

ELECTRICAL WIRING DIAGRAM
 208 / 230, 1 PHASE
 DIRECT DRIVE / X-MOTOR
 HEAT PUMP

NOTES:

- CONNECTORS SUITABLE FOR USE WITH COPPER CONDUCTORS ONLY.
- COMPRESSOR MOTOR THERMALLY PROTECTED. ALL 3 PHASE MODELS ARE PROTECTED UNDER PRIMARY SINGLE PHASE CONDITIONS.
- BLACK-230V, TRANSFORMER FACTORY WIRED FOR 230 VOLTS ON 'J' & 'C' MODELS. INTERCHANGE BLACK & BLUE LEADS FOR 208 VOLT.
- CONTACTOR FACTORY WIRED. CONNECT FIELD WIRE TO FACTORY SUPPLIED CONTACTOR WIRES IN ELECTRICAL BOX.
- LOW VOLTAGE CIRCUITS ARE N.E.C. CLASS 2 WITH A CLASS 2 LABEL.
- WZ FUSED DISCONNECT.
- CONNECT FIELD WIRING IN GROUNDED RAIN TIGHT CONDUIT TO 60 SECONDS.
- SEE FUSE LABEL ON UNIT FUSE BOX FOR FUSE SIZING AND CLASSIFICATION.
- ALL SWITCHES ARE SENSORIZED IN HEATING.
- ALL SWITCHES ARE SHOWN IN COILING POSITION.
- WIRES FROM PL2 17 & 18 GO TO THE MIXED AIR SENSOR ON THE OPTIONAL ECONOMIZER.
- WZ IS USED ONLY FOR THE OPTIONAL ECONOMIZER.

COMPONENT CODE

OPTIONAL
 OPT
 PLUG
 PLUG
 RUN CAPACITOR
 RC
 REVERSING VALVE
 RV
 TERMINAL BLOCK
 TB
 TIME DELAY CONTROL
 TDC
 WIRE NUT
 WN

ACCESSORY RELAY
 AR
 BLOWER RELAY
 BR
 COMPRESSOR CONTACTOR
 CC
 COMPRESSOR
 COMP
 CONTROL TRANSFORMER
 CT
 DEFROST CONTROL
 DFC
 DEFROST RELAY
 DR
 DEFROST SENSOR
 DS
 FREEZE STAT
 FT
 GROUND
 GND
 INDOOR BLOWER MOTOR
 IBM
 LOW AMBIENT CONTROL
 LAC
 OUTDOOR FAN MOTOR
 OFM

WIRING INFORMATION

LINE VOLTAGE
 -FACTORY STANDARD
 -FACTORY OPTION
 -FIELD INSTALLED

LOW VOLTAGE
 -FACTORY STANDARD
 -FACTORY OPTION
 -FIELD INSTALLED

REPLACEMENT WIRE
 -MUST BE THE SAME SIZE AND TYPE OF INSULATION AS ORIGINAL (105 C MIN.)

WARNING
 -CABINET MUST BE PERMANENTLY GROUNDED AND CONFORM TO I.E.C., N.E.C., C.E.C. AND LOCAL CODES AS APPLICABLE.

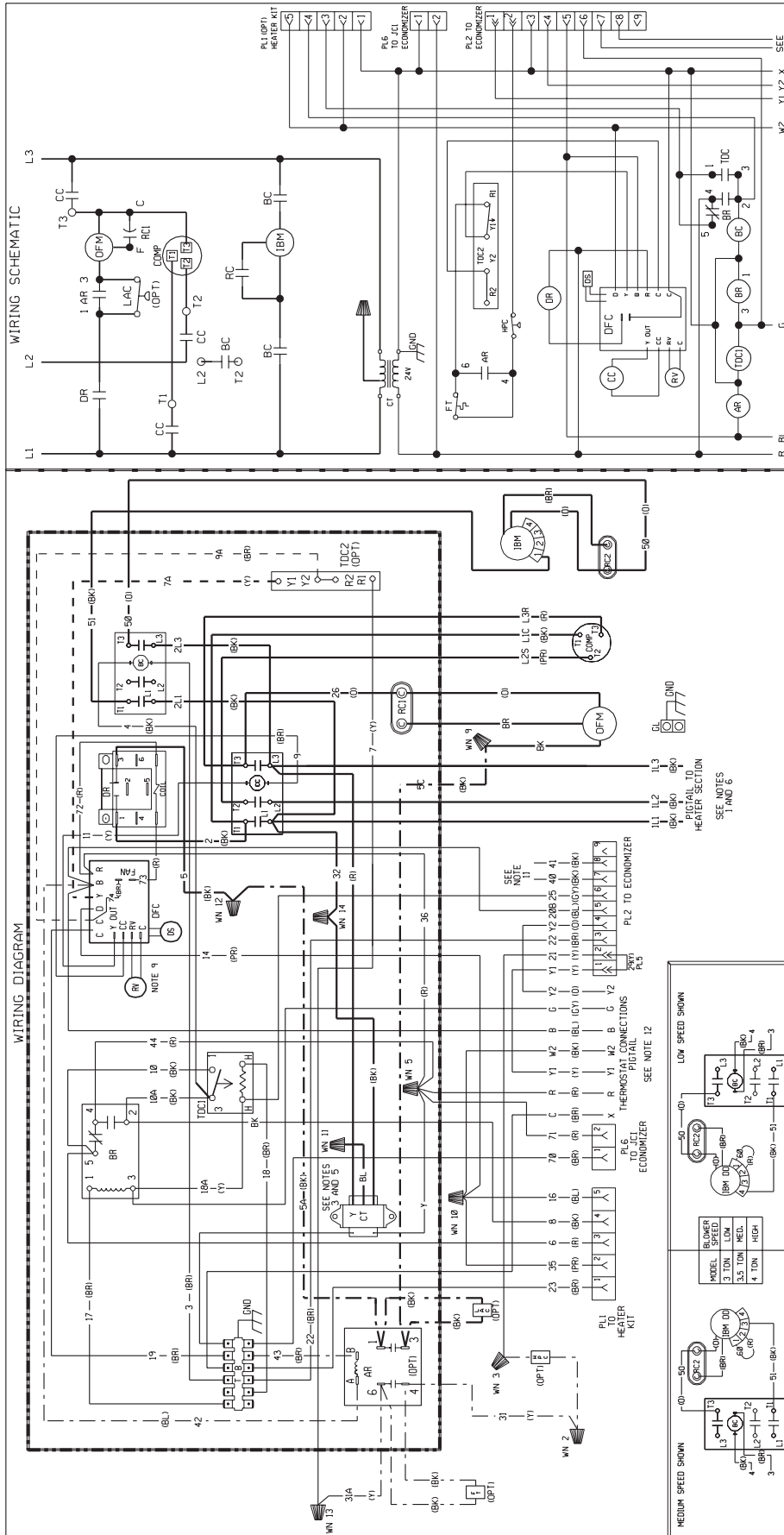
WIRE COLOR CODE

BK---BLACK
 BR---BROWN
 BL---BLUE
 G---GREEN
 GR---GRAY
 O---ORANGE
 PR---PURPLE
 R---RED
 W---WHITE
 Y---YELLOW

ELECTRICAL WIRING DIAGRAM
 208 / 230, 1 PHASE
 DIRECT DRIVE / X-MOTOR
 HEAT PUMP

DWG. NO. 90-23595-13
REV 00

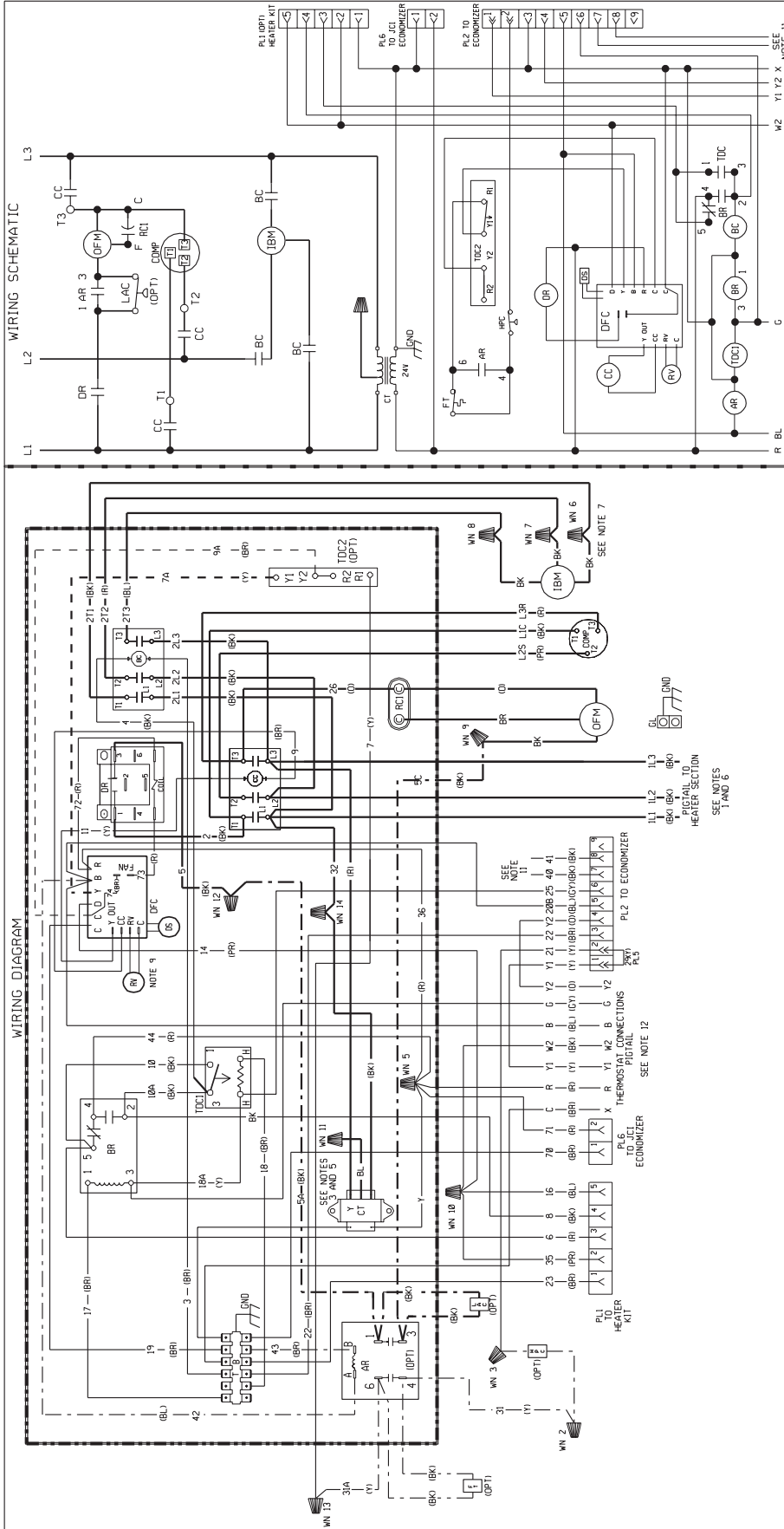
DR. BY MCB
APP. BY DATE 5-18-05
DWG. NO. 90-23595-13
REV 00



WIRING SCHEMATIC

WIRING DIAGRAM

<p>COMPONENT CODE</p> <table style="width: 100%; border-collapse: collapse;"> <tr> <td style="width: 50%;">AR</td> <td>ACCESSORY RELAY</td> <td style="width: 50%;">OPT</td> <td>OPTIONAL</td> </tr> <tr> <td>BR</td> <td>BLOWER RELAY</td> <td>PL</td> <td>PLUG</td> </tr> <tr> <td>CC</td> <td>COMPRESSOR CONTACTOR</td> <td>RC</td> <td>RUN CAPACITOR</td> </tr> <tr> <td>COMP</td> <td>COMPRESSOR</td> <td>RV</td> <td>REVERSING VALVE</td> </tr> <tr> <td>CT</td> <td>CONTROL TRANSFORMER</td> <td>TB</td> <td>TERMINAL BLOCK</td> </tr> <tr> <td>DFC</td> <td>DEFROST CONTROL</td> <td>TDC</td> <td>TIME DELAY CONTROL</td> </tr> <tr> <td>DR</td> <td>DEFROST RELAY</td> <td>WN</td> <td>WIRE NUT</td> </tr> <tr> <td>DS</td> <td>DEFROST SENSOR</td> <td></td> <td></td> </tr> <tr> <td>FT</td> <td>FREESTAT</td> <td></td> <td></td> </tr> <tr> <td>GL</td> <td>GROUND LUG</td> <td></td> <td></td> </tr> <tr> <td>HPD</td> <td>HIGH PRESSURE CONTROL</td> <td></td> <td></td> </tr> <tr> <td>IBM</td> <td>INDOOR BLOWER MOTOR</td> <td></td> <td></td> </tr> <tr> <td>LAC</td> <td>LOW AMBIENT MOTOR</td> <td></td> <td></td> </tr> <tr> <td>DFM</td> <td>OUTDOOR FAN MOTOR</td> <td></td> <td></td> </tr> </table>	AR	ACCESSORY RELAY	OPT	OPTIONAL	BR	BLOWER RELAY	PL	PLUG	CC	COMPRESSOR CONTACTOR	RC	RUN CAPACITOR	COMP	COMPRESSOR	RV	REVERSING VALVE	CT	CONTROL TRANSFORMER	TB	TERMINAL BLOCK	DFC	DEFROST CONTROL	TDC	TIME DELAY CONTROL	DR	DEFROST RELAY	WN	WIRE NUT	DS	DEFROST SENSOR			FT	FREESTAT			GL	GROUND LUG			HPD	HIGH PRESSURE CONTROL			IBM	INDOOR BLOWER MOTOR			LAC	LOW AMBIENT MOTOR			DFM	OUTDOOR FAN MOTOR			<p>WIRING INFORMATION</p> <p>LINE VOLTAGE -FACTORY STANDARD -FACTORY OPTION -FIELD INSTALLED LOW VOLTAGE -FACTORY STANDARD -FACTORY OPTION -FIELD INSTALLED</p> <p>REPLACEMENT WIRE -MUST BE THE SAME SIZE AND TYPE OF INSULATION AS ORIGINAL (105 C MIN.) -CABINET MUST BE PERMANENTLY GROUNDED AND CONFORM TO I.E.C., N.E.C., C.E.C. AND LOCAL CODES AS APPLICABLE.</p>	<p>WIRE COLOR CODE</p> <table style="width: 100%; border-collapse: collapse;"> <tr> <td style="width: 50%;">BK</td> <td>BLACK</td> <td style="width: 50%;">O</td> <td>ORANGE</td> </tr> <tr> <td>BR</td> <td>BROWN</td> <td>PR</td> <td>PURPLE</td> </tr> <tr> <td>BL</td> <td>BLUE</td> <td>R</td> <td>RED</td> </tr> <tr> <td>G</td> <td>GREEN</td> <td>W</td> <td>WHITE</td> </tr> <tr> <td>GY</td> <td>GRAY</td> <td>Y</td> <td>YELLOW</td> </tr> </table>	BK	BLACK	O	ORANGE	BR	BROWN	PR	PURPLE	BL	BLUE	R	RED	G	GREEN	W	WHITE	GY	GRAY	Y	YELLOW
AR	ACCESSORY RELAY	OPT	OPTIONAL																																																																											
BR	BLOWER RELAY	PL	PLUG																																																																											
CC	COMPRESSOR CONTACTOR	RC	RUN CAPACITOR																																																																											
COMP	COMPRESSOR	RV	REVERSING VALVE																																																																											
CT	CONTROL TRANSFORMER	TB	TERMINAL BLOCK																																																																											
DFC	DEFROST CONTROL	TDC	TIME DELAY CONTROL																																																																											
DR	DEFROST RELAY	WN	WIRE NUT																																																																											
DS	DEFROST SENSOR																																																																													
FT	FREESTAT																																																																													
GL	GROUND LUG																																																																													
HPD	HIGH PRESSURE CONTROL																																																																													
IBM	INDOOR BLOWER MOTOR																																																																													
LAC	LOW AMBIENT MOTOR																																																																													
DFM	OUTDOOR FAN MOTOR																																																																													
BK	BLACK	O	ORANGE																																																																											
BR	BROWN	PR	PURPLE																																																																											
BL	BLUE	R	RED																																																																											
G	GREEN	W	WHITE																																																																											
GY	GRAY	Y	YELLOW																																																																											
<p>NOTES:</p> <ol style="list-style-type: none"> CONNECTORS SUITABLE FOR USE WITH COPPER CONDUCTORS ONLY. ARE APPROVED UNDER PRIMARY SINGLE PHASE CONDITIONS. 60 HZ. TRANSFORMER PRIMARY LEADS. RED WIRE IS 200V. BLACK WIRE IS 230V. BLUE WIRE IS 240V. INTERCHANGE BLACK & BLUE LEADS WIRE TO CORRECT VOLTAGE. CONTROL TRANSFORMER WIRE CONNECTIONS TO FACTORY SUPPLIED CONTACTOR Wires IN ELECTRICAL BOX. LOW VOLTAGE CIRCUIT IS NE CLASS 2 WITH A CLASS 2 CONNECT FELD WIRING IN GROUNDED RAIN TIGHT CONDUIT TO 60 HZ. FUSED DISCONNECT FOR CORRECT SPEED CLASSIFICATION. SEE FUSE LABEL ON UNIT FUSE BOX FOR FUSE SIZING AND REVERSING VALVE ENERGIZED IN HEATING. WIRES FROM PL2 17 & 8100 TO THE MIXED AIR SENSOR ON THE OPTIONAL ECONOMIZER. Y2 IS ONLY USED FOR THE OPTIONAL ECONOMIZER. 		<p>ELECTRICAL WIRING DIAGRAM</p> <p>460, 3 PHASE DIRECT DRIVE HEAT PUMP</p>																																																																												
<p>COMPONENT CODE</p> <table style="width: 100%; border-collapse: collapse;"> <tr> <td style="width: 50%;">DR</td> <td>DEFROST RELAY</td> <td style="width: 50%;">PL6</td> <td>PLUG TO ECONOMIZER</td> </tr> <tr> <td>IBM</td> <td>INDOOR BLOWER MOTOR</td> <td>PL7</td> <td>PLUG TO ECONOMIZER</td> </tr> <tr> <td>LAC</td> <td>LOW AMBIENT MOTOR</td> <td>PL8</td> <td>PLUG TO ECONOMIZER</td> </tr> <tr> <td>DFM</td> <td>OUTDOOR FAN MOTOR</td> <td>PL9</td> <td>PLUG TO ECONOMIZER</td> </tr> </table>		DR	DEFROST RELAY	PL6	PLUG TO ECONOMIZER	IBM	INDOOR BLOWER MOTOR	PL7	PLUG TO ECONOMIZER	LAC	LOW AMBIENT MOTOR	PL8	PLUG TO ECONOMIZER	DFM	OUTDOOR FAN MOTOR	PL9	PLUG TO ECONOMIZER	<p>WIRING INFORMATION</p> <p>LINE VOLTAGE -FACTORY STANDARD -FACTORY OPTION -FIELD INSTALLED</p> <p>REPLACEMENT WIRE -MUST BE THE SAME SIZE AND TYPE OF INSULATION AS ORIGINAL (105 C MIN.) -CABINET MUST BE PERMANENTLY GROUNDED AND CONFORM TO I.E.C., N.E.C., C.E.C. AND LOCAL CODES AS APPLICABLE.</p>	<p>WIRE COLOR CODE</p> <table style="width: 100%; border-collapse: collapse;"> <tr> <td style="width: 50%;">BK</td> <td>BLACK</td> <td style="width: 50%;">O</td> <td>ORANGE</td> </tr> <tr> <td>BR</td> <td>BROWN</td> <td>PR</td> <td>PURPLE</td> </tr> <tr> <td>BL</td> <td>BLUE</td> <td>R</td> <td>RED</td> </tr> <tr> <td>G</td> <td>GREEN</td> <td>W</td> <td>WHITE</td> </tr> <tr> <td>GY</td> <td>GRAY</td> <td>Y</td> <td>YELLOW</td> </tr> </table>	BK	BLACK	O	ORANGE	BR	BROWN	PR	PURPLE	BL	BLUE	R	RED	G	GREEN	W	WHITE	GY	GRAY	Y	YELLOW																																							
DR	DEFROST RELAY	PL6	PLUG TO ECONOMIZER																																																																											
IBM	INDOOR BLOWER MOTOR	PL7	PLUG TO ECONOMIZER																																																																											
LAC	LOW AMBIENT MOTOR	PL8	PLUG TO ECONOMIZER																																																																											
DFM	OUTDOOR FAN MOTOR	PL9	PLUG TO ECONOMIZER																																																																											
BK	BLACK	O	ORANGE																																																																											
BR	BROWN	PR	PURPLE																																																																											
BL	BLUE	R	RED																																																																											
G	GREEN	W	WHITE																																																																											
GY	GRAY	Y	YELLOW																																																																											
<p>DWG. NO. 90-23595-12</p>		<p>REV 01</p>																																																																												



BEFORE PURCHASING THIS APPLIANCE, READ IMPORTANT ENERGY COST AND EFFICIENCY INFORMATION AVAILABLE FROM YOUR RETAILER.

GENERAL TERMS OF LIMITED WARRANTY

Rheem will furnish a replacement for any part of this product which fails in normal use and service within the applicable periods stated, in accordance with the terms of the limited warranty.

For Complete Details of the Limited Warranty, Including Applicable Terms and Conditions, See Your Local Installer or Contact the Manufacturer for a Copy.

Compressor	Five (5) Years
Electric Heating Elements	Five (5) Years
Any Other Part	
1-Phase Models	Five (5) Years
3-Phase Models	One (1) Year

Before proceeding with installation, refer to installation instructions packaged with each model, as well as complying with all Federal, State, Provincial, and Local codes, regulations, and practices.

RHEEM AIR CONDITIONING DIVISION

5600 Old Greenwood Road, Fort Smith, Arkansas 72908



"In keeping with its policy of continuous progress and product improvement, Rheem reserves the right to make changes without notice."

Free Manuals Download Website

<http://myh66.com>

<http://usermanuals.us>

<http://www.somanuals.com>

<http://www.4manuals.cc>

<http://www.manual-lib.com>

<http://www.404manual.com>

<http://www.luxmanual.com>

<http://aubethermostatmanual.com>

Golf course search by state

<http://golfingnear.com>

Email search by domain

<http://emailbydomain.com>

Auto manuals search

<http://auto.somanuals.com>

TV manuals search

<http://tv.somanuals.com>