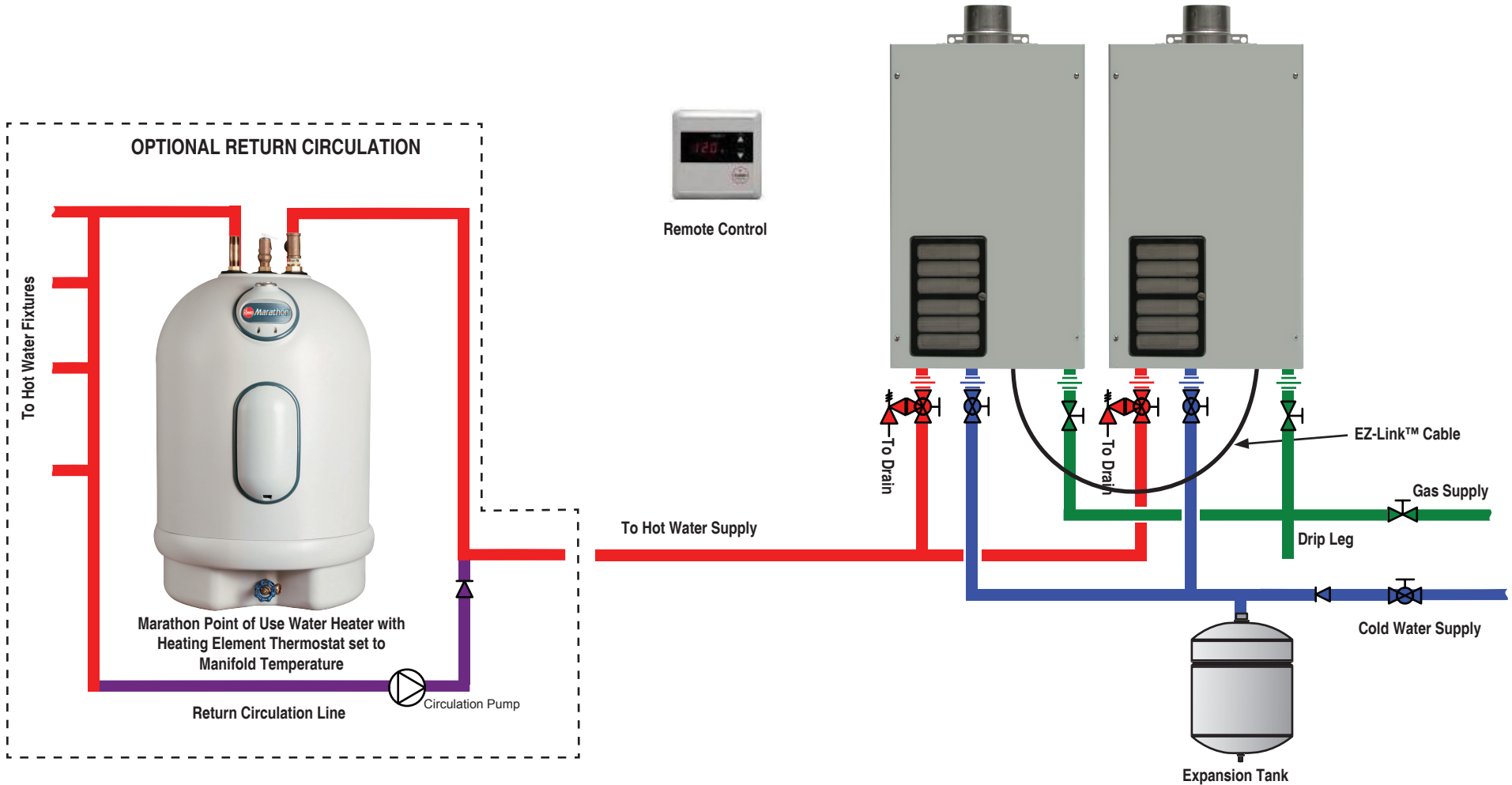


Rheem Tankless Water Heaters • Preferred Piping Installations



EZ-Link™ Manifold Installation With Optional Return Circulation

Drawing Number:	11132
Drawing Date:	August 2006
Drawing by:	SMT



KEY

	Cold Water Isolator Valve Assembly		Pressure Relief Valve		Shut-off Valve		Gas Pipe Line		Cold Water Pipe
	Hot Water Isolator Valve Assembly		Check Valve		Circulation Pump		Union		Hot Water Pipe
							Return Circulation Line		

IMPORTANT

This drawing is intended as a guide only. It is not to be used as an alternative to a professionally engineered project drawing. This drawing does not imply compliance with local building codes. Installation may vary, depending on installation location, and must be done in accordance with all local building codes. Consult with local building officials prior to installation.

Free Manuals Download Website

<http://myh66.com>

<http://usermanuals.us>

<http://www.somanuals.com>

<http://www.4manuals.cc>

<http://www.manual-lib.com>

<http://www.404manual.com>

<http://www.luxmanual.com>

<http://aubethermostatmanual.com>

Golf course search by state

<http://golfingnear.com>

Email search by domain

<http://emailbydomain.com>

Auto manuals search

<http://auto.somanuals.com>

TV manuals search

<http://tv.somanuals.com>