

Not for use with GN or GX models



Manufactured by Tjernlund Products,* Rheem-Ruud commercial gas water heater power vent kits are your best choice for new construction, electric-to-gas conversions and renovations.

Construction Features:

- Certified for use on natural and propane gas models.
- Maximum venting length up to 50 feet equivalent including the vent terminal.
- Vent terminal can be installed through combustible or non-combustible surfaces – heat shield is provided.
- Vent terminal is constructed from heavy-duty corrosion resistant aluminum.
- Venter can be connected to a vent termination on an exterior wall.
- Vibration isolators are supplied to provide quiet operation.
- Safety interlocks standard.
- Complete with mounting hardware.
- Venter is pre-wired with 40 feet of #18-4 copper wire (24 volt) to minimize field connections.

Certifications and Ratings:

- Power vent kits manufactured by Tjernlund Products, Inc. are tested and certified by AGA for use on Rheem-Ruud commercial gas water heaters.

*For technical assistance, please call the Tjernlund Help Line at

1-800-255-4208

Vent Kits

Kit #	Part #	Applicable Rheem-Ruud Water Heater Model
PV Kit 4	AP11646	G50-98, G75-125, G82-156, G76-180
PV Kit 5	AP11645	G37-200, G76-200, G91-200, G100-200(A), G72-250(A), G100-250(A), G100-270(A), G72-300(A), G85-300(A), G100-310(A), G65-360(A), G65-400(A), G85-400(A), G100-400(A)

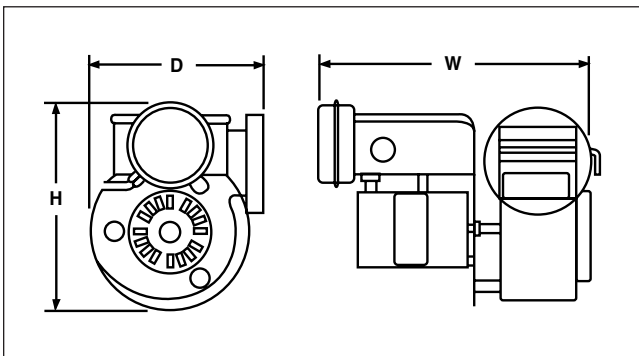
Not for use with GN or GX models.

Dimensions

Power Venter (from Tjernlund)

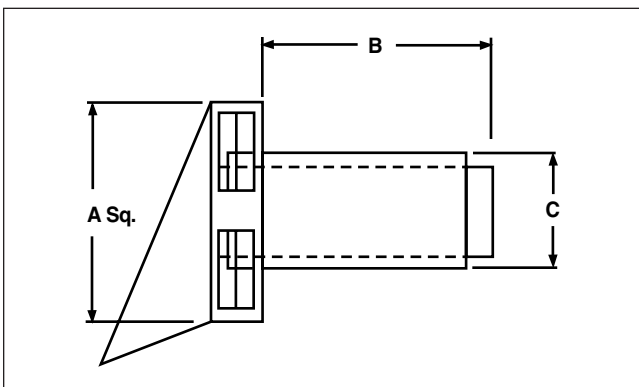
Kit#	Motor Watts	Motor Amps	Max Vent	Height (H)	Width (W)	Depth (D)	Inlet Outlet
4	95	1.26	50 ft	7-7/8"	11"	7"	4"
5	170	1.51	50 ft	9-1/4"	11-5/8"	8-5/8"	6"

Note: Max Vent Length based on total length of straight vent pipe plus 10 feet for each 90 degree elbow and 5 feet for each 45 degree elbow.



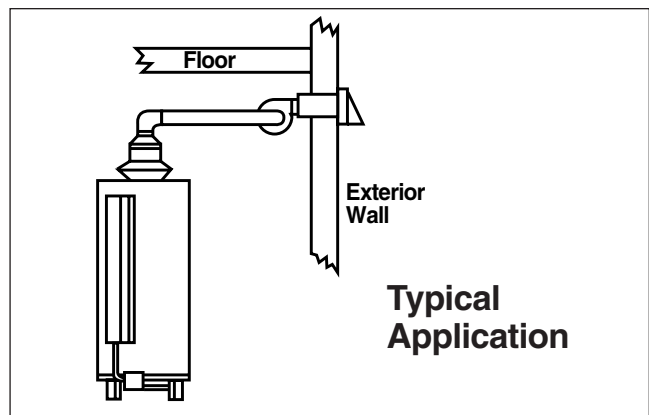
Vent Terminal

Kit#	A	B	C	Rough in Dimension
4	9"	9-1/2"	7" Sq.	8" Sq.
5	10-1/8"	9-1/2"	8-1/2" Dia.	9" Dia.



Model	Vent Kit	Draft Hood Outlet	Vent Size	Vent Adapter*
G50-98	PV Kit 4	5"	4"	5" x 4"
G75-125	PV Kit 4	5"	4"	5" x 4"
G82-156	PV Kit 4	6"	4"	6" x 4"
G76-180	PV Kit 4	6"	4"	6" x 4"
G37-200	PV Kit 5	6"	6"	Not Required
G76-200	PV Kit 5	6"	6"	Not Required
G91-200	PV Kit 5	6"	6"	Not Required
G100-200(A)	PV Kit 5	6"	6"	Not Required
G72-250(A)	PV Kit 5	6"	6"	Not Required
G100-250(A)	PV Kit 5	6"	6"	Not Required
G100-270(A)	PV Kit 5	6"	6"	Not Required
G72-300(A)	PV Kit 5	8"	6"	8" x 6"
G85-300(A)	PV Kit 5	8"	6"	8" x 6"
G100-310(A)	PV Kit 5	7"	6"	7" x 6"
G65-360(A)	PV Kit 5	8"	6"	8" x 6"
G65-400(A)	PV Kit 5	8"	6"	8" x 6"
G85-400(A)	PV Kit 5	10"	6"	10" x 6"
G100-400(A)	PV Kit 5	8"	6"	8" x 6"

*Note: Vent Pipe and Vent Adapter are NOT included.



COMMERCIAL WATER HEATERS

In keeping with its policy of continuous progress and product improvement, Rheem-Ruud reserves the right to make changes without notice.

Rheem Water Heaters • 101 Bell Road, Montgomery, Alabama 36117-4305 • www.rheem.com

Rheem Canada Ltd./Ltée, 128 Barton Street West, Hamilton, Ontario L8N 3P3

Free Manuals Download Website

<http://myh66.com>

<http://usermanuals.us>

<http://www.somanuals.com>

<http://www.4manuals.cc>

<http://www.manual-lib.com>

<http://www.404manual.com>

<http://www.luxmanual.com>

<http://aubethermostatmanual.com>

Golf course search by state

<http://golfingnear.com>

Email search by domain

<http://emailbydomain.com>

Auto manuals search

<http://auto.somanuals.com>

TV manuals search

<http://tv.somanuals.com>