



Setup Guide

Read This First

Trademarks.....	3
Safety Information	4
Positions of ⚠WARNING and ⚠CAUTION labels	8
ENERGY STAR Program	9
How to Read This Manual	10

Guide to the Printer

Exterior: Front View.....	11
Exterior: Rear View	12
Inside.....	14
Control Panel.....	15

Setting Up

Where to Put the Printer.....	17
Checking the Contents of the Box	20
Unpacking.....	22
Installing the Waste Toner Bottle and Photo Conductor Unit	23
Installing the Toner Cartridge.....	29
Loading Paper	33
Turning the Power On	36
Selecting the Display Language.....	38
Test Printing.....	40

Adjusting the Image Density.....	42
---	-----------

Installing Options

Available Options.....	44
Option List.....	44
Option Installation Flow Chart.....	45
Installing Options.....	46
Attaching Paper Feed Unit Type 3000.....	48
Attaching AD440 (Duplex Unit).....	53
Attaching Memory Unit Type D 128MB, Memory Unit Type E 256MB (SDRAM Module).....	56
Attaching Printer Hard Disk Type 3000.....	61
Formatting the Printer Hard Disk.....	65
Attaching User Account Enhance Unit Type E.....	67
Attaching IEEE 1394 Interface Board Type B.....	71
Attaching IEEE 802.11b Interface Unit Type H.....	74
Attaching Bluetooth Interface Unit Type 3245.....	78
Attaching IEEE 1284 Interface Board Type A.....	82
Attaching Network Data Protection Unit Type C.....	84

Connecting the Printer

Network Connection.....	86
USB Connection.....	88
Parallel Connection.....	89
IEEE 1394 Connection.....	90

Configuration

Ethernet Configuration.....	91
IEEE 802.11b (Wireless LAN) Configuration.....	96
IEEE 1394 Configuration.....	102
IP over 1394.....	102
SCSI print.....	104

Installing the Printer Driver

Quick Install.....	106
Install the Operating Instructions.....	108

Trademarks

Microsoft, Windows and Windows NT are registered trademarks of Microsoft Corporation in the United States and/or other countries.

IPS-PRINT Printer Language Emulation Copyright© 1999-2000 Oak Technology, Inc., All rights reserved.

Bluetooth® is a registered trademark of the Bluetooth SIG, Inc. worldwide.

Other product names used herein are for identification purposes only and might be trademarks of their respective companies. We disclaim any and all rights to those marks.

The proper names of the Windows operating systems are as follows:

- Microsoft® Windows® 95 operating system
- Microsoft® Windows® 98 operating system
- Microsoft® Windows® Millennium Edition (Windows Me)
- The product names of Windows® 2000 are as follows:
 - Microsoft® Windows® 2000 Advanced Server
 - Microsoft® Windows® 2000 Server
 - Microsoft® Windows® 2000 Professional
- The product names of Windows® XP are as follows:
 - Microsoft® Windows® XP Professional
 - Microsoft® Windows® XP Home Edition
- The product names of Windows Server™ 2003 are as follows:
 - Microsoft® Windows Server™ 2003 Standard Edition
 - Microsoft® Windows Server™ 2003 Enterprise Edition
 - Microsoft® Windows Server™ 2003 Web Edition
- The product names of Windows NT® 4.0 are as follows:
 - Microsoft® Windows NT® Server 4.0
 - Microsoft® Windows NT® Workstation 4.0

Safety Information

When using your printer, the following safety precautions should always be followed.

In this manual, the following important symbols are used:

 **WARNING**

Indicates a potentially hazardous situation which, if instructions are not followed, could result in death or serious injury.


 **CAUTION**

Indicates a potentially hazardous situation which, if instructions are not followed, may result in minor or moderate injury or damage to property.

 WARNING

- ***Confirm the wall outlet is near the machine and freely accessible, so that in the event of emergency, it can be unplugged easily.***
- ***Plug and unplug the power cable with dry hands, or an electric shock could occur.***
- ***Only connect the machine to the power source described in the manual.***
- ***Avoid multi-wiring.***
- ***Do not damage, break or make any modifications to the power cord. Do not place heavy objects on it, pull it hard or bend it more than necessary. These actions could cause an electric shock or fire.***
- ***Do not incinerate spilled toner or used toner. Toner dust is flammable and might ignite when exposed to an open flame.***
- ***Disposal should take place at an authorized dealer or an appropriate collection site.***
- ***If you dispose of the used toner containers yourself, dispose of them according to local regulations.***
- ***Dispose at an authorized dealer or approved collection site. If you dispose of the used toner containers yourself, do so according to local regulations.***
- ***Do not risk electric shock by handling the power cord or plug with wet hands.***
- ***Do not take apart or attempt any modifications to this machine. There is a risk of fire, electric shock, explosion or loss of sight. If the machine has laser systems, there is a risk of serious eye damage.***
- ***The supplied power cord is for use with this equipment only. Do not use with other appliances. Doing so may result in fire, electric shock, or injury.***
- ***Keep the machine away from flammable liquids, gases, and aerosols. A fire or an electric shock might occur.***

 **CAUTION**

- *Place no objects on the right cover.*
- *Do not pull out the paper tray forcefully. If you do, the tray might fall and cause an injury.*
- *The inside of this printer becomes very hot. Do not touch parts labelled “

Download from www.Somanuals.com. All Manuals Search And Download.*

CAUTION

- *When removing misfed paper, do not touch the fusing unit because it could be very hot.*
- *The printer weights approximately 32 kg (70.5 lb.). When moving the printer, use the inset grips on both sides, and lift slowly. The printer will break or cause injury if dropped.*
- *Before installing options, the machine should be turned off and unplugged for at least half an hour. Components inside the machine become very hot, and can cause a burn if touched.*
- *Lifting the paper feed unit carelessly or dropping it may cause an injury.*
- *Do not touch the inside of the controller board compartment. It may cause a machine malfunction or a burn.*
- *When moving the machine, each person should hold the handles that are located on opposite sides, and then lift it slowly. Lifting it carelessly or dropping it may cause an injury.*
- *When you move the printer, remember to unplug the power cord from the wall outlet to avoid a fire or an electric shock.*
- *When moving the printer after use, do not take out any of the Toners, Photo Conductor Units, nor the Waste Toner Cartridge to prevent toner spill inside the machine.*
- *When lifting the machine, use the inset grips on both sides. Otherwise the printer could break or cause an injury if dropped.*
- *Before moving the machine, unplug the power cord from the wall outlet. If the cord is unplugged abruptly, it could become damaged. Damaged plugs or cords can cause an electrical or fire hazard.*

Note

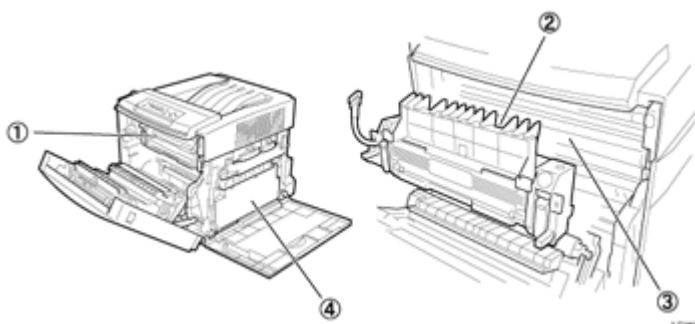
- Under certain temperature and humidity conditions, printing may cause vapour to issue from paper. The standard tray (behind the control panel) may emit steam during printing.
- Our products are engineered to meet the highest standards of quality and functionality. When purchasing expendable supplies, we recommend using only those specified by an authorized dealer.

Important

- Rating voltage of the connector for options: Max. DC 24 V.
- Voltage must not fluctuate more than 10%.

Positions of ⚠️ WARNING and ⚠️ CAUTION labels

This machine has labels for ⚠️ WARNING and ⚠️ CAUTION at the positions shown below. For safety, please follow the instructions and handle the machine as indicated.



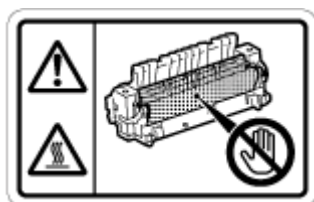
① High temperature parts. Turn off the main power and be careful when replacing fusing unit / removing misfed paper.



② The inside of this printer becomes very hot. Do not touch parts labelled “⚠️” (indicating a hot surface). Touching these parts will result in burns.




③ The inside of this printer becomes very hot. Do not touch parts labelled “⚠️” (indicating a hot surface). Touching these parts will result in burns.



④ Do not incinerate toner or toner containers. Toner dust may cause flashback when exposed to an open flame.



ENERGY STAR Program

	As an ENERGY STAR Partner, we have determined that this machine model meets the ENERGY STAR Guidelines for energy efficiency.
---	---

The ENERGY STAR Guidelines intend to establish an international energy-saving system for developing and introducing energy-efficient office equipment to deal with environmental issues, such as global warming.

When a product meets the ENERGY STAR Guidelines for energy efficiency, the Partner shall place the ENERGY STAR logo onto the machine model.

This product was designed to reduce the environmental impact associated with office equipment by means of energy-saving features, such as Low-power mode.

❖ Low-power Mode (Energy Saver mode)

This printer automatically lowers its power consumption 1 minutes after the last operation has been completed. To exit Low-power (Energy Saver) mode, press any key on the control panel. For more information about how to configure Energy Saver mode, see “Making Printer Settings with Control Panel”, Software Guide as a HTML file on the CD-ROM.

❖ Specifications

Energy Saver mode	Power Consumption	10 W or less
	Default Time	1 minutes
	Recovery Time	3 seconds or less

How to Read This Manual

The following set of symbols is used in this manual.

WARNING

This symbol indicates a potentially hazardous situation that might result in death or serious injury when you misuse the machine without following the instructions under this symbol. Be sure to read the instructions, all of which are described in the Safety Information section.

CAUTION

This symbol indicates a potentially hazardous situation that might result in minor or moderate injury or property damage that does not involve personal injury when you misuse the machine without following the instructions under this symbol. Be sure to read the instructions, all of which are described in the Safety Information section.

* The statements above are notes for your safety.

Important

If this instruction is not followed, paper might be misfed, originals might be damaged, or data might be lost. Be sure to read this.

Preparation

This symbol indicates information or preparations required prior to operating.

Note

This symbol indicates precautions for operation, or actions to take after abnormal operation.

Limitation

This symbol indicates numerical limits, functions that cannot be used together, or conditions in which a particular function cannot be used.

Reference

This symbol indicates a reference.

[]

Keys that appear on the machine's display.

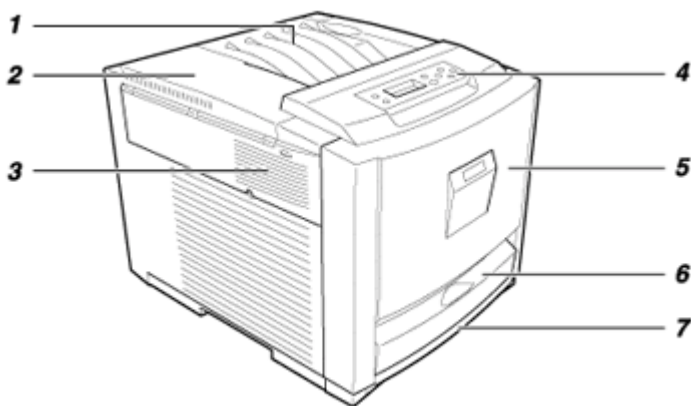
Keys and buttons that appear on the computer's display.

[]

Keys built into the machine's control panel.

Keys on the computer's keyboard.

Exterior: Front View



A170015

1. Standard Tray

Output is stacked here print side down.

2. Upper Left Cover

Open this to replace toner cartridges.

3. Ventilator

The ventilator helps keep internal components from overheating. Overheating results in malfunction. Make sure the ventilator is not blocked by objects or in any way obstructed.

4. Control Panel

Contains keys for printer control and a panel display that displays the printer's status.

5. Front Cover

Open this to replace the fusing unit or transfer roller, install the duplex unit, or remove misfed paper.

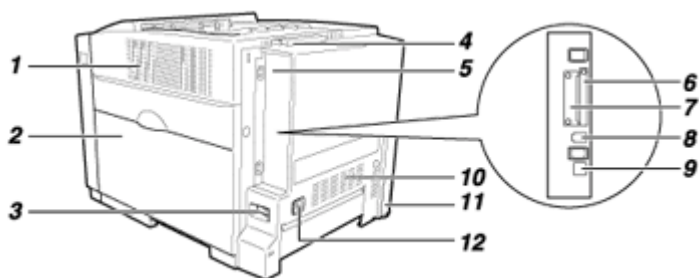
6. Bypass Tray

Use this to print onto thick paper, OHP transparencies, custom size paper, and envelopes, as well as plain paper. Special printer driver settings must be made in order to print onto custom size paper.

7. Tray 1

Up to 530 sheets of plain paper can be loaded here.

Exterior: Rear View



A71003

1. Ventilator

The ventilator helps keep internal components from overheating. Overheating results in malfunction. Make sure the ventilator is not blocked by objects or in any way obstructed.

2. Right Cover

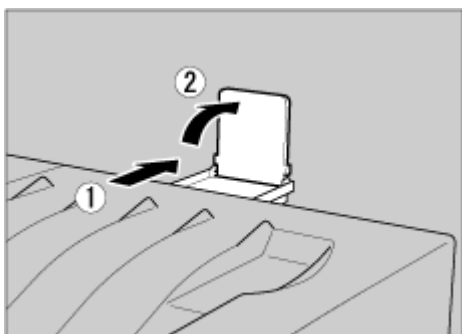
Open this to replace photo conductor units, the transfer belt, or the waste toner bottle.

3. Power Switch

Use this to turn the power on and off.

4. Standard Tray Extension

Pull this out when printing on paper that is longer than A4 or 8 1/2" x 11".



ZHBK700E

5. Controller Board

Slide this out to install options such as the memory unit, user account enhance unit, or printer hard disk. Plug cables such as the USB cable and Ethernet cable into their connectors here.

6. Expansion Card Slots

Install expansion cards in these slots. There are two slots.

To install an expansion card, use the under slot.

7. Optional Interface Board Slots

Insert an optional 1394 interface board, 802.11b interface unit, wireless interface board, or 1284 interface board in this slot. Up to one interface board can be inserted at a time.

8. USB Port

Use a USB cable to connect the printer to a host computer.

9. Ethernet Port

Use a network interface cable to connect the printer to a network.

10. Ventilator

The ventilator helps keep internal components from overheating. Overheating results in malfunction. Make sure the ventilator is not blocked by objects or in any way obstructed.

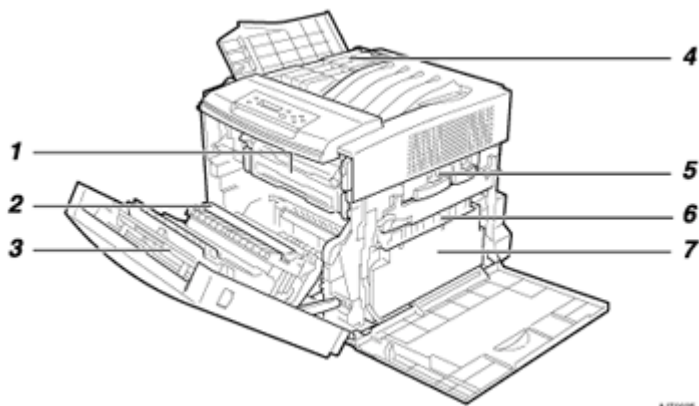
11. Optional Paper Feed Unit Connector

Use this to connect the printer to the paper feed unit.

12. Power Port

Connect the power cable to this socket and the other end of the cable directly to the wall outlet (do not use an extension).

Inside



1. Fusing Unit

Fuses the image onto paper.

When the “Replace Fusing Unit” message appears on the display, replace this unit.

2. Transfer Roller

When the “Replace Fusing Unit” message appears on the display, replace this roller.

3. Duplex Unit (optional for Basic Model Printer)

Use to print on both sides of paper.

4. Toner Cartridges

When the “Add Toner (color)” message appears on the display, replace the toner cartridge of the indicated color.

5. Photo Conductor Unit Color/Black

When the “Replace Color PCU” or “Replace Black PCU” message appears on the display, replace the indicated Photo Conductor Unit.

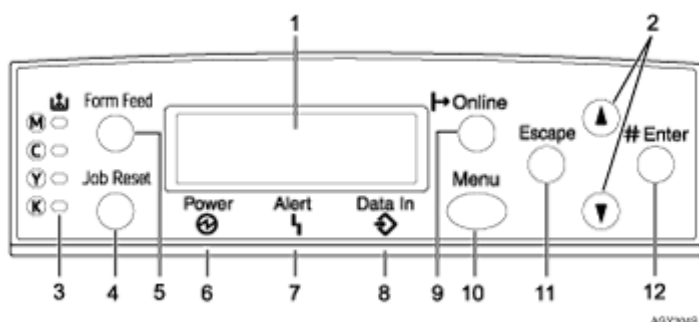
6. Transfer Belt

When the “Replace Transfer Belt” message appears on the display, replace this unit.

7. Waste Toner Bottle

Collects waste toner. When the “Replace Used Toner Bottle” message appears on the display, replace this bottle.

Control Panel



1. Display

Displays current printer status and error messages.

For details about error messages, see Maintenance Guide.

2. [▲][▼] keys

Use these keys to increase or decrease values on the display when making settings.

Keep the key pressed to quicken scrolling, and increase or decrease values on the display in units of 10.

3. Toner End LED

The color of the lit LED indicates toner status for each color.

A yellow light indicates the toner amount is approaching exhaustion. A red light indicates the toner cartridge needs to be replaced.

4. [Job Reset] key

When the printer is online, press this key to cancel an ongoing print job.

5. [Form Feed] key

When the printer is offline, press this to print all data left in the printer's input buffer.

You can use this to force the printer to print data received in the online status when the paper size or type does not match the actually set size or type.

6. Power indicator

This indicator remains lit while the power is on. It is unlit when the power is off or while the printer is in Energy Saver mode.

7. Alert indicator

Lights up whenever a printer error occurs. A red light indicates an error has occurred that makes printing impossible; the yellow light indicates a potential error during printing.

If the red light is on, follow the instructions that appear on the display.

8. Data In indicator

Blinks when the printer is receiving data from a computer. The Data In indicator is lit if there is data to be printed.

9. [Online] key

Indicates whether the printer is online or offline. Press this to switch between online and offline.

When the lamp is lit, the printer is online, enabling data reception from the host computer.

When the lamp is unlit, the printer is offline, disabling data reception from the host computer.

Press to return to the ready condition.

10. [Menu] key

Press this key to make and check the current printer settings.

For details, See “Making Printer Settings Using the Control Panel”, Software Guide.

11. [Escape] key

Press this key to return to the previous condition on the display.

12. [# Enter] key

Press this key to execute menu items selected on the display.

Where to Put the Printer

The printer's location should be carefully chosen because environmental conditions greatly affect its performance.

WARNING

- *Confirm the wall outlet is near the machine and freely accessible, so that in the event of emergency, it can be unplugged easily.*
- *Only connect the machine to the power source described in the manual.*
- *Avoid multi-wiring.*
- *Do not damage, break or make any modifications to the power cord. Do not place heavy objects on it, pull it hard or bend it more than necessary. These actions could cause an electric shock or fire.*

WARNING

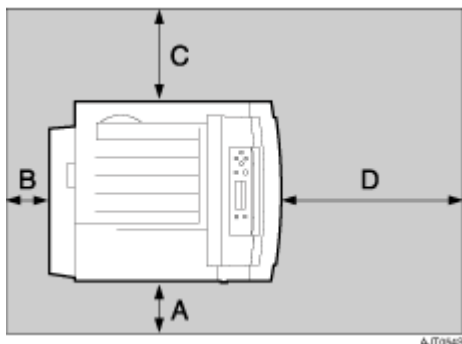
- *The supplied power cord is for use with this equipment only. Do not use with other appliances. Doing so may result in fire, electric shock, or injury.*

CAUTION

- *Do not handle the plug with wet hands. Doing so might cause an electrical shock.*
- *Keep the machine in an area that is within optimum environmental conditions. Operating the machine in an environment that is outside the recommended ranges of humidity and temperature can cause an electrical fire hazard. Keep the area around the socket free of dust. Accumulated dust can become an electrical fire hazard.*
- *Place the machine on a strong and level surface. Otherwise, it might fall and injure someone.*
- *If you use the machine in a confined space, ensure there is continuous air circulation.*

❖ **Space Required for Installation**

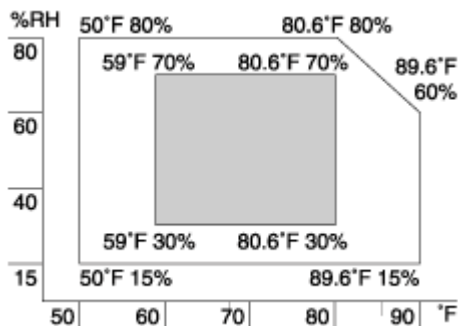
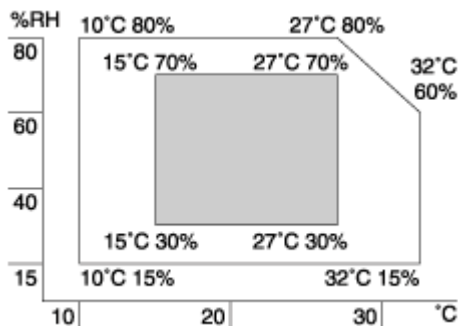
Leave enough space around the printer. This space is necessary to operate the printer. The recommended (or minimum) space requirements are as follows:



- A: 13 cm (5.2 inches) or more
- B: 11 cm (4.4 inches) or more
- C: 35 cm (14.0 inches) or more
- D: 61 cm (24.4 inches) or more

❖ **Optimum Environmental Conditions**

Permissible and recommended temperature and humidity ranges are as follows:



- White area: Permissible Range
- Gray area: Recommended Range

 Note

- The machine must be level within 5 mm, 0.2" from both front to rear and left to right.
- To avoid possible build-up of ozone, locate this machine in a large well ventilated room that has an air turnover of more than 30 m³/hr/person.
- When you use this machine for a long time in a confined space without good ventilation, you may detect an odd smell. To keep the workplace comfortable, we recommend you keep it well ventilated.

❖ Environments to Avoid

 Important

- Areas exposed to direct sunlight or strong light
- Dusty areas
- Areas with corrosive gases
- Areas that are excessively cold, hot, or humid
- Locations near air conditioners or humidifiers
- Locations near other electronic equipment
- Locations subject to frequent strong vibration

❖ Power Source

Connect the power cable to a power source of the following specification:

- 220 - 240 V, 50/60 Hz, 6 A or more

Checking the Contents of the Box

Follow the procedure below to verify the items that come with the printer.

★ Important

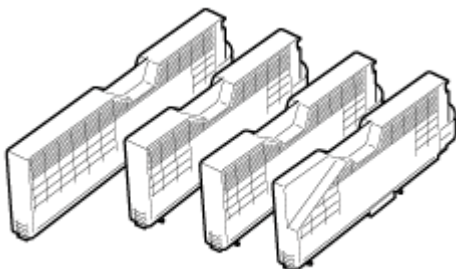
Ensure that the box contains all items listed below. If there are any missing or defective items, contact your sales representative.

❖ **Manuals and CD-ROMs**

- Quick Installation Guide
- CD-ROM “Printer Drivers and Utilities”
- CD-ROM “Display-Version Manuals (HTML)”
- CD-ROM “Print-Version Manuals (PDF)”
- CD-ROM “Document Management Utility”

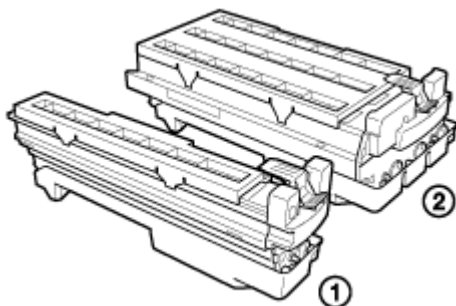
❖ **Parts**

- Power Cable
- Toner Cartridges: Black (K), Magenta (M), Cyan (C), Yellow (Y)



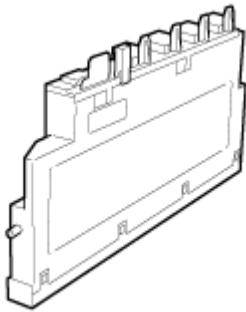
AJT0555

Photo Conductor Unit: Black (1), Color (2)



AJT0555

Waste Toner Bottle



AJ10675

Ferrite Core × 2



AET5105

Color Calibration Sample Sheet

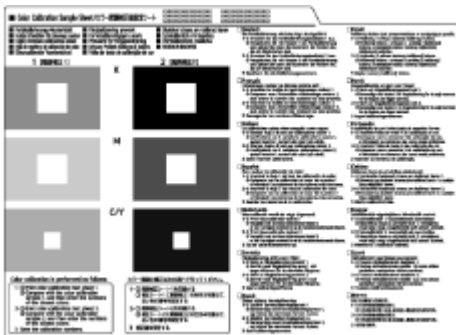
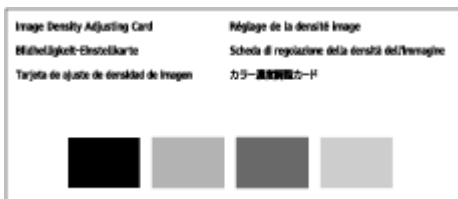


Image density adjusting card



AJ10685

User registration card

Additional Documentation

Note

- This package does not include an interface cable. Please purchase one to use with your host computer. See “Appendix”, Maintenance Guide.

Unpacking

To protect it from shock and vibration during transit, this printer comes packaged in cushioning foam and secured with tape. Remove these protective materials after bringing the machine to where it will be installed.

⚠ CAUTION

- *When lifting the machine, use the inset grips on both sides. The printer could break or cause an injury if dropped.*

⚠ CAUTION

- *Place no objects on the right cover.*

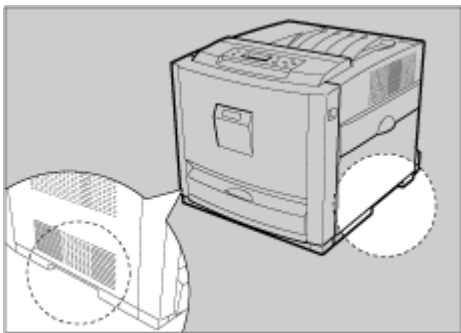
★ Important

- Be sure to remove all four strips of tape from the photo conductor unit to avoid malfunction.
- Removed tape is dirty. Be careful not to let it touch your hands or clothes.

1 Remove the plastic bag.

2 Position the printer where it is to be used. Lifting the printer requires at least two people.

Lift using the inset grips on both sides of the printer.



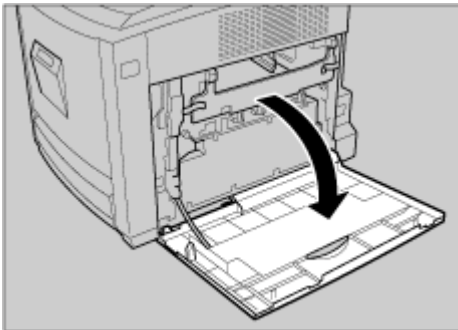
★ Important

- Leave the tape holding the paper feed tray and cover in place while moving the printer.
- Lower the machine slowly and carefully to prevent trapping your hands.

Installing the Waste Toner Bottle and Photo Conductor Unit

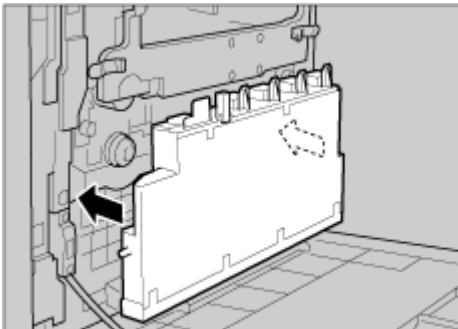
The following procedure describes installing the waste toner bottle and photo conductor unit.

- 1** Open the printer's right cover.



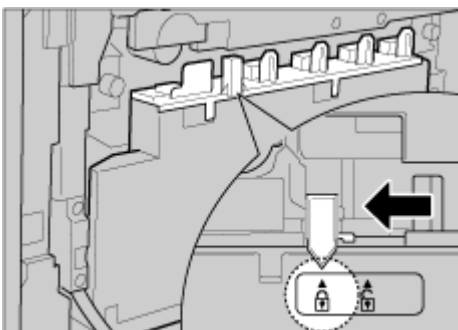
AJT0445

- 2** Place the waste toner bottle in the position shown in the illustration.



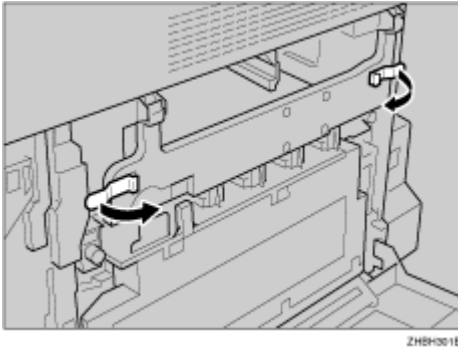
ZHBH080E

- 3** Lock the waste toner bottle by sliding the green arrow into the position shown.

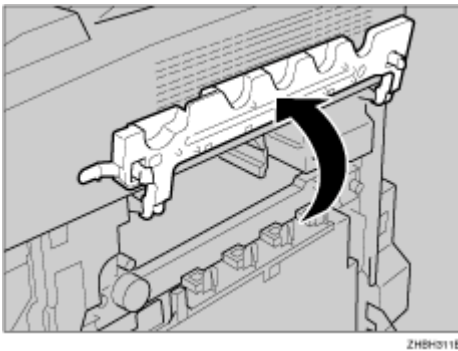


ZHBHA070E

- 4** Pull out the green levers on the left and right that are securing the inner cover, and then unlock.

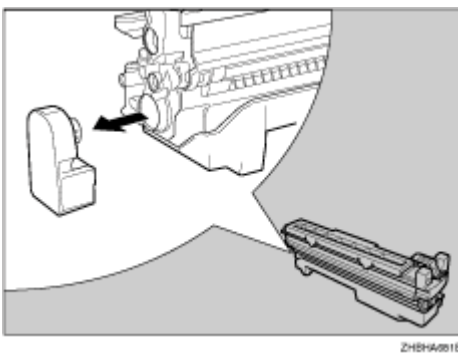


- 5** Lift the inner cover until it stays up.



- 6** Take out the black photo conductor unit.

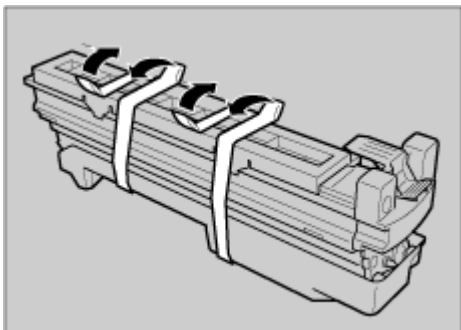
- 7** Remove the cap attached to the photo conductor unit.



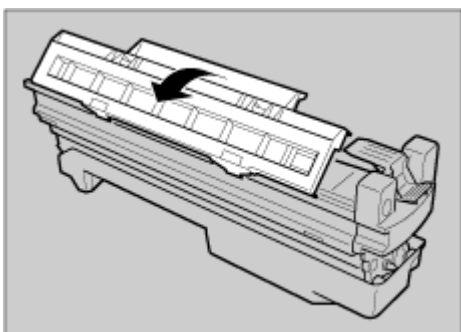
Note

- The cap is no longer needed and should be disposed of.

- 8** Remove the tape from around Photo Conductor Unit by peeling it downward, and then remove unit's top cover.



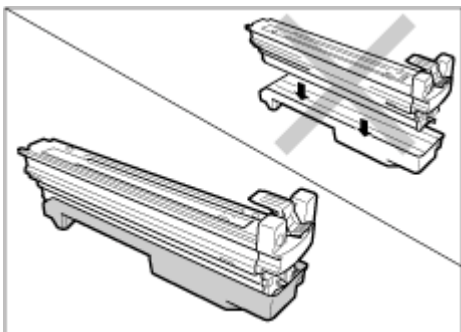
Z1B1081E



Z1B1082E

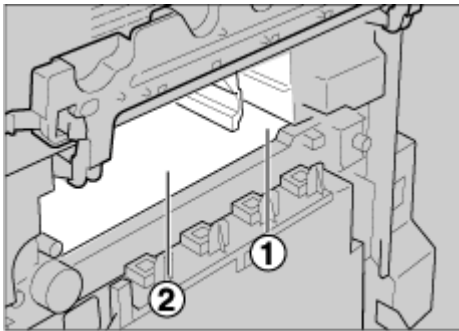
★ Important

- Do not remove the unit's bottom cover yet.
- Install the new Photo Conductor Unit as soon as you take it out of the bag.



Z1B1A082E

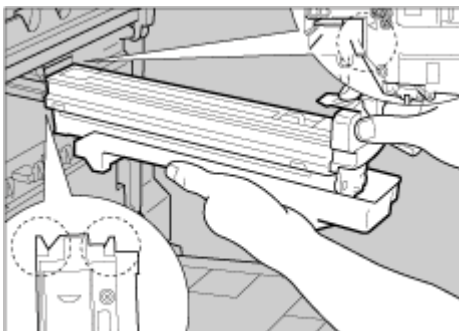
9 Check the locations for each Photo Conductor Unit.



ZHBHA720E

- ① Photo Conductor Unit (Black)
- ② Photo Conductor Unit (Color)

10 Align the green arrow at the tip of the photo conductor unit with the rail inside the printer.

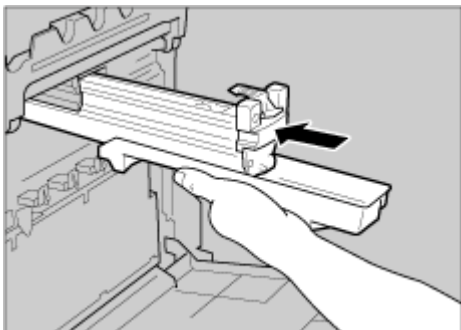


ZHBH370E

★ Important

- Make sure the green arrow fits securely to the rail before proceeding to the next step.
- If you do not securely attach the green arrow of the photo conductor unit to the rail, you may damage the photo conductor unit.

- 11** Push the front of the photo conductor unit carefully in, sliding the unit from its cover, until it clicks into place.

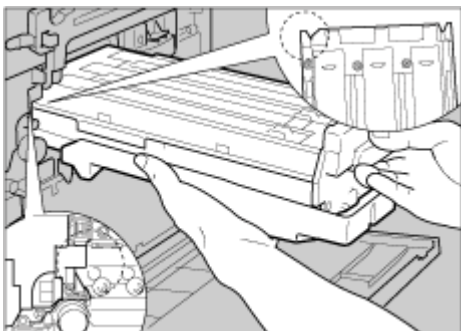


ZHR1080E

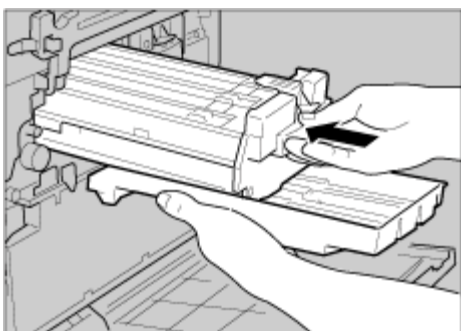
★ Important

- If the photo conductor unit is not correctly installed, print quality will be lost. For example, certain colors may not print.

- 12** Repeat steps [6](#) to [11](#) to install the color photo conductor unit.

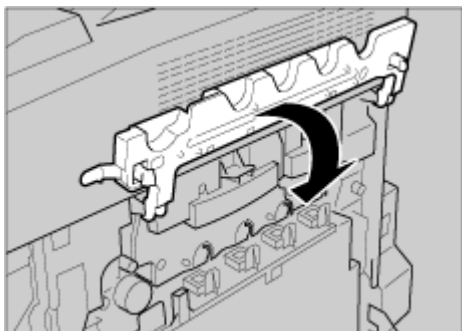


ZHR1080E



ZHR1400E

13 Lower the inner cover carefully.



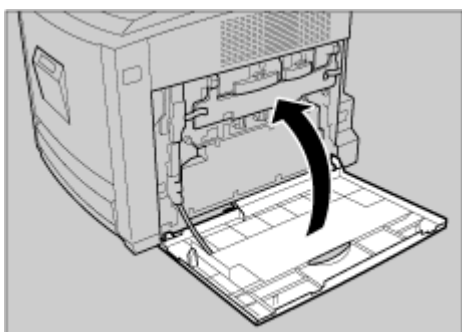
ZHDH410E

14 Push the left and right edge of the inner cover to secure it.



AJT0855

15 Close the printer's right cover carefully.



AJT0455

Installing the Toner Cartridge

The following procedure describes how to install the toner cartridge.

WARNING

- *Do not incinerate spilled toner or used toner. Toner dust is flammable and might ignite when exposed to an open flame.*
- *Disposal should take place at an authorized dealer or an appropriate collection site.*
- *If you dispose of the used toner cartridges yourself, dispose of them according to local regulations.*
- *Do not store toner, used toner, or toner containers in a place with an open flame. The toner might ignite and cause burns or a fire.*

CAUTION

- *Keep toner (used or unused) and the toner cartridge out of reach of children.*
- *If toner or used toner is inhaled, gargle with plenty of water and move into a fresh air environment. Consult a doctor if necessary.*
- *If your skin comes into contact with toner or used toner, wash the affected area thoroughly with soap and water.*
- *If toner or used toner gets into your eyes, flush immediately with large amounts of water. Consult a doctor if necessary.*

CAUTION

- *If toner or used toner is swallowed, dilute by drinking a large amount of water. Consult a doctor if necessary*
- *Avoid getting toner on your clothes or skin when removing a paper jam or replacing toner. If your skin comes into contact with toner, wash the affected area thoroughly with soap and water.*
- *If toner gets on your clothing, wash with cold water. Hot water will set the toner into the fabric and may make removing the stain impossible.*

Important

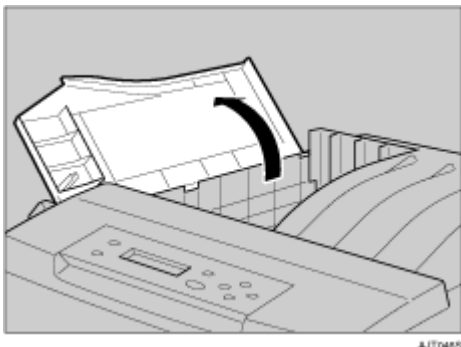
- When you first use this printer, use the four toner cartridges packaged with the printer.

Note

- The toner cartridges that comes with the printer will allow you to print up to about 2,500 pages. These numbers were obtained from printing A4 5% charts, but the actual number of pages will vary depending on the paper type, size, contents, and settings.
- Toner Cartridges (consumable) are not covered by warranty. However, if there is problem, contact the store where they were purchased.

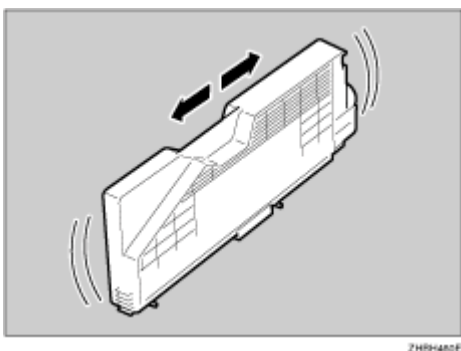
- Toner cartridge mouths may be dirtied during quality inspection.

1 Open the printer's upper left cover.



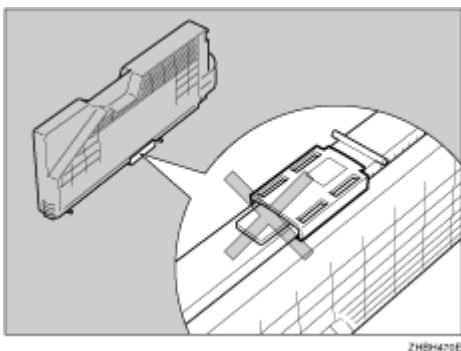
2 Take out the toner cartridge.

3 Hold the toner cartridge horizontally as illustrated, and then shake it in the plastic bag from side to side about 10 times.



★ Important

- Do not open the shutter on the bottom of the toner cartridge. Toner may leak.

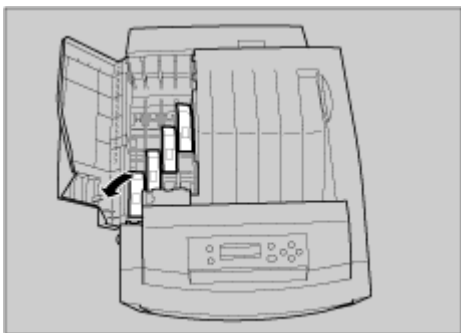


↓ Note

- The illustration uses the black cartridge as an example.

4 Take out the toner cartridge from the plastic bag.

5 Remove the adhesive tapes.

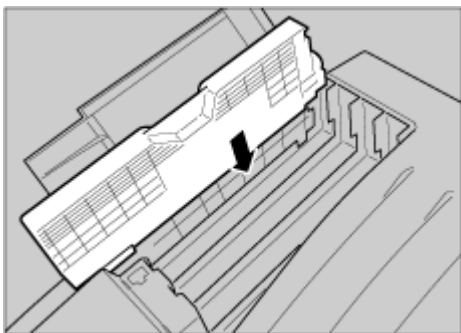


AJT0605

6 Check the toner color and location are correct, and then carefully insert the toner cartridge vertically.

↓ Note

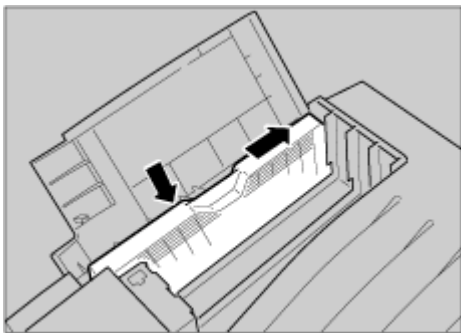
- You can check the location for each toner cartridge by reading the labels on the printer.



ZHS1461E

- The illustration uses the yellow cartridge as an example.

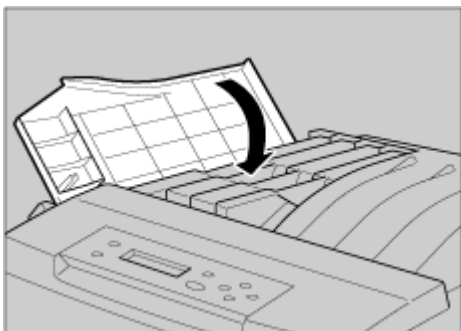
7 Push the toner cartridge in the direction of the arrow until it is securely positioned.



ZHS1461E

8 Repeat steps [2](#) to [7](#), to install the other color toner cartridges.

9 Close the printer's upper left cover.



AJIT0475

Note

- If the toner cartridge is not set properly, you cannot close the upper left cover.

Loading Paper

The following describes how to load paper into the standard paper tray (Tray 1).

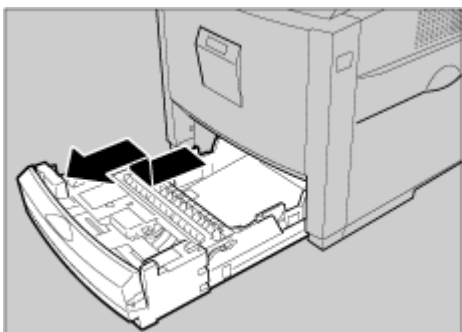
CAUTION

- *When pulling the paper tray out, be careful not to pull it strongly. If you do, the tray might fall and cause personal injury.*

Important

- To avoid paper jams, make sure paper is not stacked above the limit mark inside the tray. Misfeeds might occur.
- Do not mix different types of paper in a single paper tray.

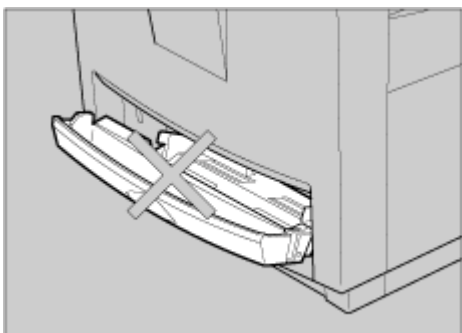
- 1** Pull the paper tray out of the printer until it stops. Lift it slightly, and then pull it fully out. Place the paper tray on a flat surface.



AJT0485

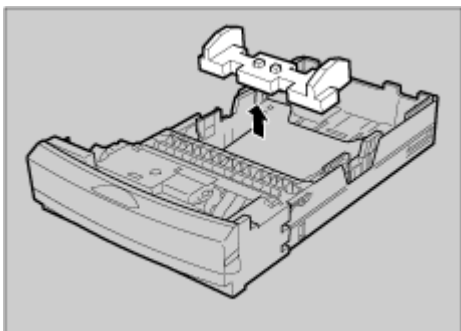
Note

- You cannot pull out Tray 1 if the Bypass Tray is open.



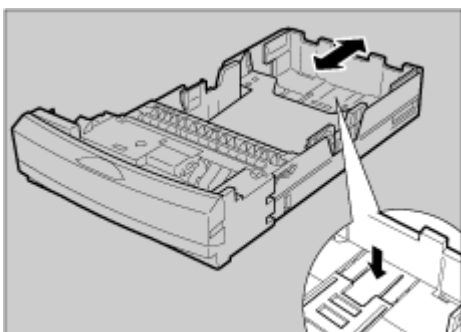
AJT0615

2 Remove the adhesive tape and packing material.



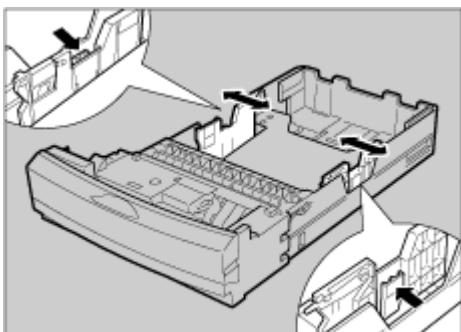
ZHBY020E

3 Press “PUSH”, and then adjust the rear guide to the paper size you want to load.



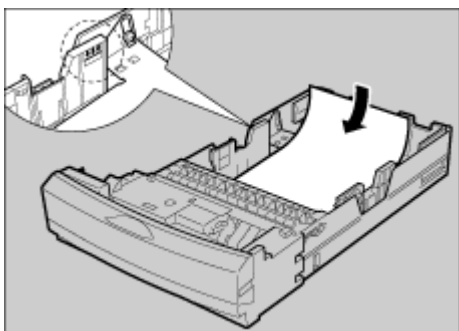
ZHBY042E

4 Adjust the side guides to the paper size you want to load.



AJT0835

5 Load paper print side up in the paper tray.

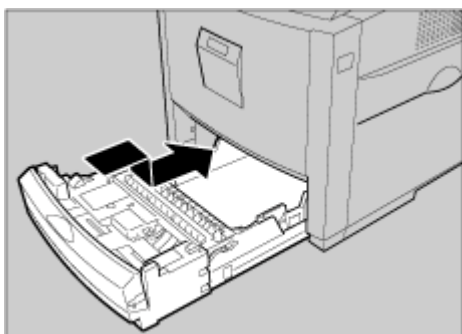


ZHBY020E

★ Important

- Make sure the top of the stack is not higher than the limit mark inside the tray.
- To avoid misfeeds, set the rear and side to the exact paper size.

6 Slide the paper tray fully into the printer.



AJT0845

Turning the Power On

Follow the procedure below to turn the power on.

⚠ WARNING

- *Plug and unplug the power cable with dry hands, or an electric shock could occur.*

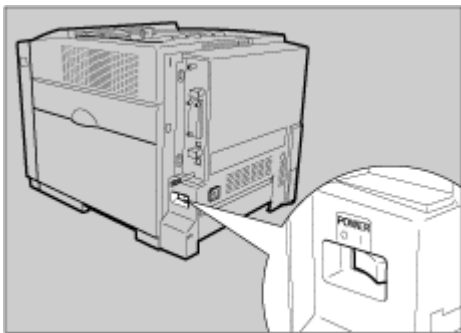
⚠ CAUTION

- *When you pull the plug out of the socket, grip the plug, not the cord, to avoid damaging the cord and causing a fire or an electric shock.*

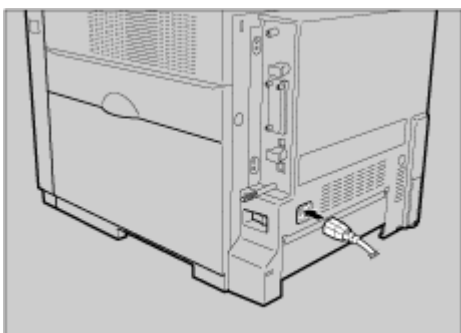
★ Important

- Be sure to connect the power plug to the socket or the wall outlet firmly.
- The printer power must be off when plugging in and removing the power cord.

1 Check the printer's power switch is set to Off (“○”). If it is set to On (“|”). Turn it off.

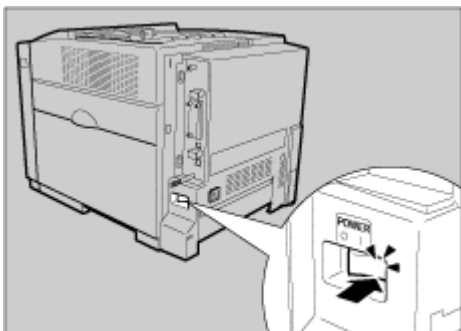


2 Attach the power cord to the socket on the back of the printer.



3 Plug the other end of the power cord securely into the wall outlet.

4 Turn the power switch to On (“ | ”).



The power indicator on the control panel lights.

Note

- Wait until **[Ready]** appears on the display panel.
- The machine may make a noise while initializing. This noise does not indicate a malfunction.

Important

- Do not turn off the power switch until initializing is completed. Doing so results in malfunction.**

Selecting the Display Language

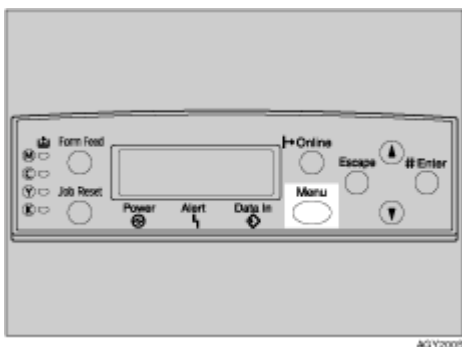
Select a language using the procedure described here.

The message for the selected language will appear on the display. If you want to use the display in English, the following procedures are unnecessary.

↓ Note

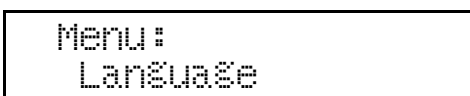
The default setting is English.

1 Press the [Menu] key.

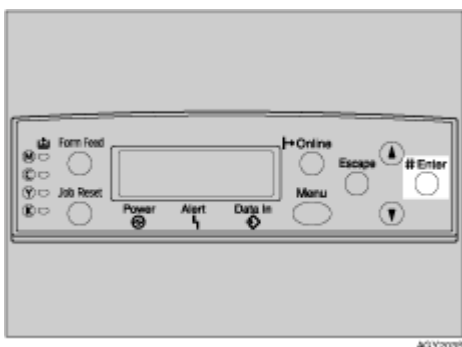


The [Menu] screen appears.

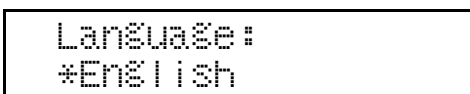
2 Press the [▲] or [▼] key to display [Language].



3 Press the [# Enter] key.



The following message appears on the display:

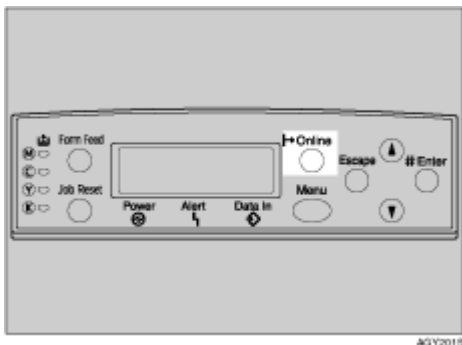


4 Press the [▲] or [▼] key until the language you want to select appears.

5 Press the [# Enter] key. Wait for two seconds.

[Menu] appears on the display.

6 Press the [Online] key.



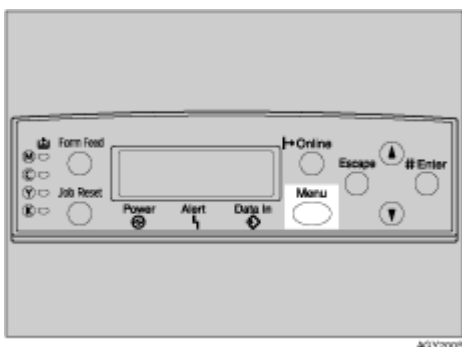
The initial screen appears.



Test Printing

The following explains the procedure for test printing of the configuration page. Test print in order to verify that the printer is working normally. Test printing checks printer performance only; it does not test the connection to the computer.

1 Press the [Menu] key.



The [Menu] screen appears.

```
Menu:
  Paper Input
```

2 Press the [▲] or [▼] key to display [List/Test Print], and then press the [# Enter] key.

```
Menu:
  List/Test Print
```

The menu for selecting the contents to be test printed appears.

3 Press the [▲] or [▼] key to display the [Config. Page], and then press the [# Enter] key.

```
List/Test Print:
  Config. Page
```

The following message appears and the configuration page is printed.

```
Printing...
```


↓ Note

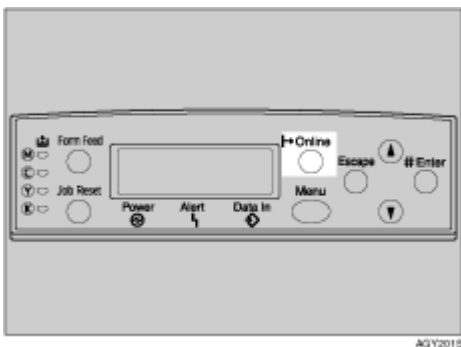
- If printing is not normal, check to see if an error message appears on the display. If there is an error message, see “Troubleshooting”, Maintenance Guide.

4 Check the options.

↓ Note

- For details about the configuration page, see “Interpreting the Configuration Page”, Software Guide.

5 Press the [Online] key.



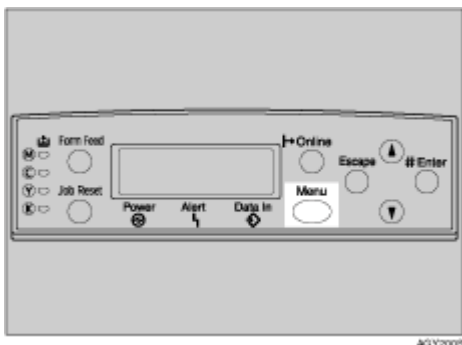
The initial screen appears.



Adjusting the Image Density

To use the printer in its best condition, adjust the image density.

- 1 Press the [Menu] key.



The [Menu] screen appears.

```
Menu:
Paper Input
```

- 2 Press the [▲] or [▼] key to display [Maintenance], and then press the [# Enter] key.

```
Menu:
Maintenance
```

- 3 Press the [▲] or [▼] key to display [Image Density], and then press the [# Enter] key.

```
Maintenance:
Image Density
```

- 4 The following message appears on the display.

```
Image Density:
Prt. Test Sheet
```

- 5 Press the [# Enter] key.

- 6** The following message appears on the display, and then Press the [# Enter] key.

```
Prt. Test Sheet
Press # to start
```

```
Printin&...
```

- 7** Compare the colors on the printed image density test sheet with those on the image density adjusting card.

↓ Note

- If the image density of the image density adjusting card is equal to the framed part of the test sheet, you do not need to adjust the image density value.

- 8** Press the [▲] or [▼] key to select the color you want to adjust, and then press the [# Enter] key.

```
Image Density:
Black
```

- 9** Press the [▲] or [▼] key to set the image density value, and then press the [# Enter] key.

```
Black:
(-10 +10)      0
```

↓ Note

- You can adjust the image density from -10 to +10. Increasing the value makes the printouts darker and decreasing the value makes the printouts lighter.
- Pressing the [▲] or [▼] key makes the value increase or decrease by one.

- 10** To adjust another color, repeat the steps to **8**.

Print another image density test sheet and check if the colors on the test sheet now match those on the image density adjusting card. If they still do not match, adjust the image density again.

- 11** Press the [Online] key.

The initial screen appears.

```
Ready
```

Available Options

This section describes how to install options.

By installing options, you can improve the printer performance and have an expanded variety of features to use. For the specifications of each option, see Maintenance Guide.

CAUTION

- *Before installing options, the machine should be turned off and unplugged for at least an hour. Components inside the machine become very hot, and can cause a burn if touched.*
- *Before moving the machine, unplug the power cable from the outlet. If the cable is unplugged abruptly, it could become damaged. Damaged plugs or cables can cause an electrical or fire hazard.*
- *When lifting the machine, use the grips on both sides. The machine could break or cause an injury if dropped.*

Important

- The voltage rating of the connector for options is 24 V DC or less.

Option List

The following is a list of options for this printer. Some printer models come with the expansion AD440 (duplex unit) contained as default.

	Basic model printer	Duplex unit standard model printer
Paper Feed Unit Type 3000	○	○
AD440	○	☆
Printer Hard Disk Type 3000	○	○
Memory Unit Type D 128MB	○	○
Memory Unit Type E 256MB	○	○
IEEE 802.11b Interface Unit Type H	○	○
IEEE 1284 Interface Board Type A	○	○
IEEE 1394 Interface Board Type B	○	○
Bluetooth Interface Unit Type 3245	○	○
User Account Enhance Unit Type E	○	○
Network Data Protection Unit Type C	○	○

○ : Available option

☆ : Standard equipment

Option Installation Flow Chart

We recommend you install multiple options in the following order:

1 Attach the paper feed unit (Paper Feed Unit Type 3000).

Attach the paper feed unit to the bottom of the printer.

You can attach up to two paper feed unit. Up to 1690 sheets of paper can be loaded.

2 Install the duplex unit (AD440) to the back of the front cover.

3 Install the SDRAM module (Memory Unit Type D 128MB, Memory Unit Type E 256MB).

Install the module to the SDRAM module slot on the controller board.

There are two types of memory unit: 128 MB and 256 MB.

4 Install the printer hard disk (Printer Hard Disk Type 3000).

Install the printer hard disk to the controller board.

5 Install the user account enhance unit (User Account Enhance Unit Type E).

Install the module to the user account enhance unit slot of the controller board.

6 Install the IEEE 1394 interface board, IEEE 1284 interface board, IEEE 802.11b interface unit or Bluetooth interface unit.

Install the IEEE 1394 interface board, IEEE 1284 interface board, IEEE 802.11b interface unit or Bluetooth interface unit on the controller board.

The IEEE 1394 interface board and standard Ethernet interface cannot be used at the same time.

Up to two of the following can be installed:

- IEEE 1394 Interface Board Type B
- IEEE 1284 Interface Board Type A
- IEEE 802.11b Interface Unit Type H
- Bluetooth Interface Unit Type 3245

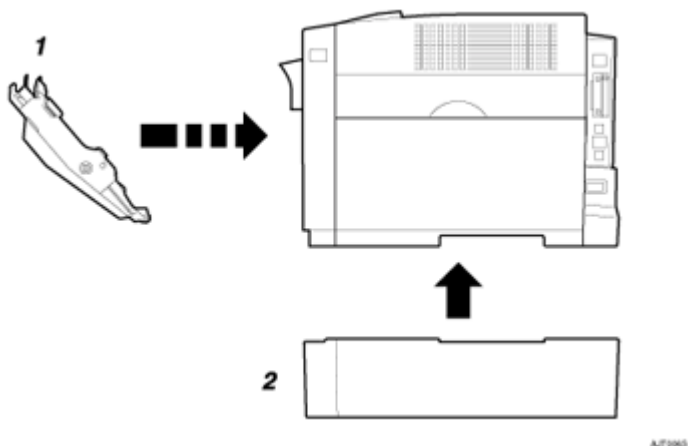
7 Install the network data protection unit (Network Data Protection Unit Type C).

Insert the network data protection unit into the SD card slot on the controller board.

Installing Options

Install options in the positions shown in the illustration.

❖ Exterior



1. AD440 (Duplex Unit)

Install this behind the front cover. Makes duplex prints.

See [p.53 "Attaching AD440 \(Duplex Unit\)"](#).

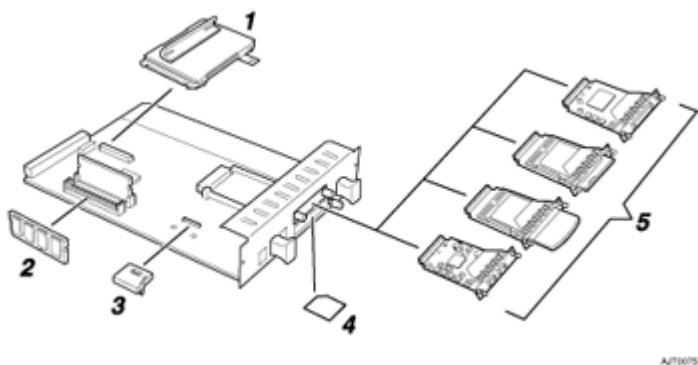
2. Paper Feed Unit Type 3000

Loads up to 530 sheets of paper.

Up to two paper feed units, can be installed on the printer. Installed tray units are identified as "Tray 2" and "Tray 3".

See [p.48 "Attaching Paper Feed Unit Type 3000"](#).

❖ Interior



1. Printer Hard Disk Type 3000

See [p.61 "Attaching Printer Hard Disk Type 3000"](#).

2. Memory Unit Type D 128MB/Memory Unit Type E 256MB (SDRAM module)

Install 128 MB or 256 MB SDRAM module into the controller board slot.

See [p.56 “Attaching Memory Unit Type D 128MB, Memory Unit Type E 256MB \(SDRAM Module\)”](#).

3. User Account Enhance Unit Type E

See [p.67 “Attaching User Account Enhance Unit Type E”](#).

4. Network Data Protection Unit Type C

See [p.84 “Attaching Network Data Protection Unit Type C”](#).

5. IEEE 1394 Interface Board Type B / IEEE 802.11b Interface Unit Type H / Bluetooth Interface Unit Type 3245 / IEEE 1284 Interface Board Type A

See [p.71 “Attaching IEEE 1394 Interface Board Type B”](#).

See [p.74 “Attaching IEEE 802.11b Interface Unit Type H”](#).

See [p.78 “Attaching Bluetooth Interface Unit Type 3245”](#).

See [p.82 “Attaching IEEE 1284 Interface Board Type A”](#).

Note

- You can install only one of the following types of extension board: IEEE 1394 Interface Board Type B ; IEEE 802.11b Interface Unit Type H ; Bluetooth Interface Unit Type 3245 ; IEEE 1284 Interface Board Type A.
- Some printer models come with the expansion duplex unit contained as default.

Reference

For the specifications of each option, see Maintenance Guide.

Attaching Paper Feed Unit Type 3000

🔧 Preparation

When installing multiple options, install the paper feed unit first.

⚠️ CAUTION

- *The printer weights approximately 32 kg (70.5 lb.). When moving the printer, use the inset grips on both sides, and lift slowly. The printer will break or cause injury if dropped.*

⚠️ CAUTION

- *Lifting the paper feed unit carelessly or dropping it may cause injury.*

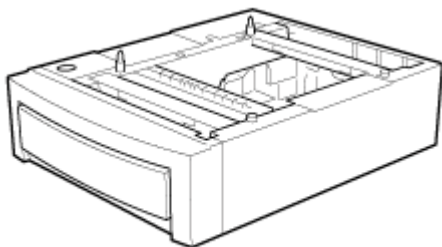
★ Important

- ❑ The paper feed unit weighs approximately 7.5 kg (16.5 lb).
- ❑ Up to two paper feed units can be attached to the printer.
- ❑ When two paper feed units are installed, they are identified as “Tray 2” and “Tray 3” starting from the upper unit.
- ❑ Before using the new paper feed unit, you must make settings in the printer driver.

1 Turn off the power, and then unplug the power cable.

2 Check the package contains the following:

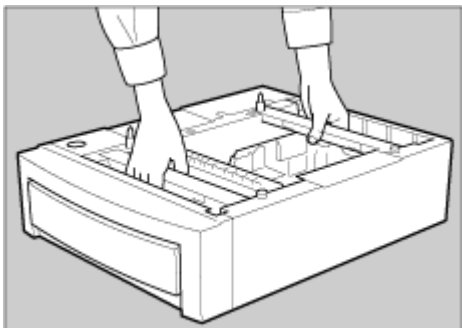
- ❖ Paper Feed Unit / Paper tray (inside the Paper Feed Unit)



ZHEP010E

3 Remove the adhesive tape.

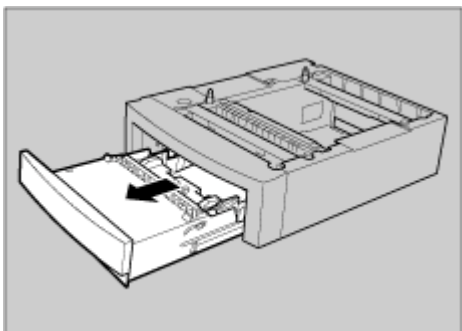
- 4** Hold the paper feed unit as shown in the illustration, and then place it on a flat surface near where the machine is to be installed.



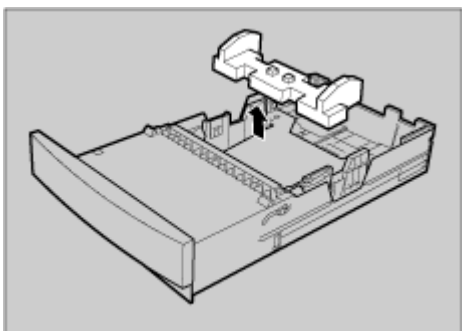
↓ Note

- Make sure you have enough space to access the back of the printer.

- 5** Pull the paper tray out of the paper feed unit until it stops. Lift it slightly, and then pull it fully out. Place the paper tray on a flat surface.

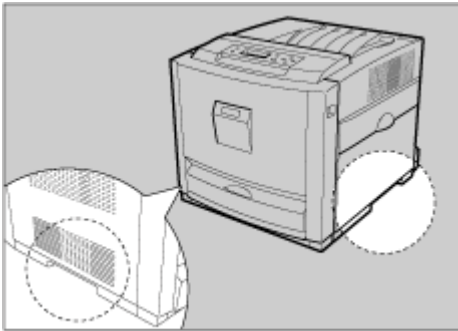


- 6** Remove the adhesive tape and packing material.

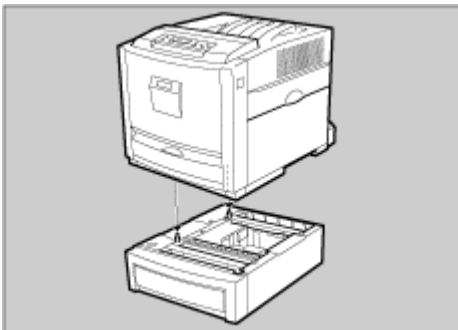


- 7** Slide the paper tray fully into the paper feed unit.

8 Lift using the inset grips on both sides of the printer.

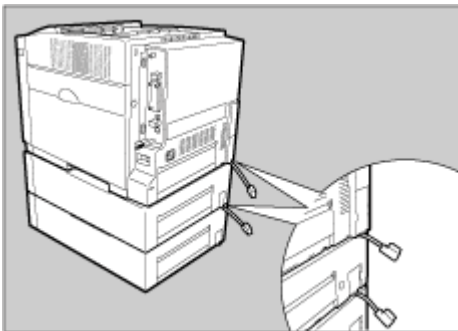


9 Align the printer with the two upright pins on the paper feed unit, and then lower it slowly.

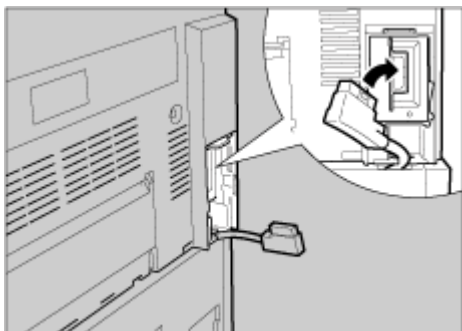


↓ Note

Be sure not to place the printer on the paper feed unit cable.

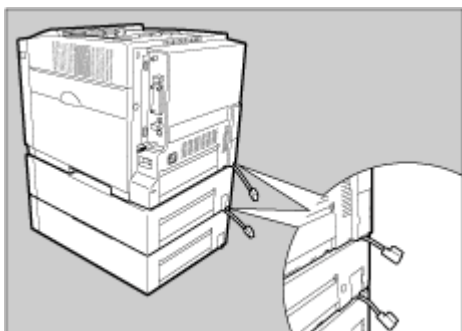


- 10** Connect the paper feed unit cable securely to the socket inside the printer.



ZHBP010E

To connect two paper feed units, connect the paper feed unit cable securely to the socket inside the paper feed unit



AJT055

★ Important

- Before using the new paper feed unit, you must make settings in the printer driver.

↓ Note

- When moving or transporting the printer, make sure to unplug the paper feed unit connector. For more information, see “Moving and Transporting the Printer” in the Maintenance Guide.
- When moving the printer, remove the paper feed unit.
- After finishing installation, check the paper feed unit is installed properly: print the configuration page from the “List/Test Print” menu. If it is installed properly, you will see “Tray 2” or “Tray 2, Tray 3” for “Options”.
- If the paper feed unit is not installed properly, reinstall it from the start of the procedure. If you cannot install it properly even after attempting reinstallation, contact your sales or service representative.

☰ Reference

For details about printing the configuration page, see [p.40 “Test Printing”](#). See “Loading Paper”, Maintenance Guide.

When adjusting the printing position, see “Adjusting Tray Registration”, Maintenance Guide.

Attaching AD440 (Duplex Unit)

⚠ CAUTION

- *The inside of this machine gets very hot. Do not touch labelled “⚠” (hot surface). Touching “⚠” labelled parts could result in burns.*

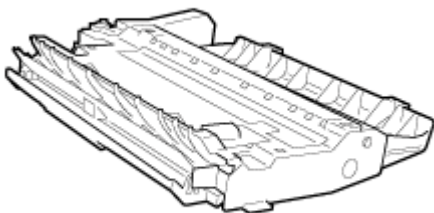
★ Important

- Before using the duplex unit, you must make settings in the printer driver.

1 Turn off the power, and then unplug the power cable.

2 Check the contents of the package for the following:

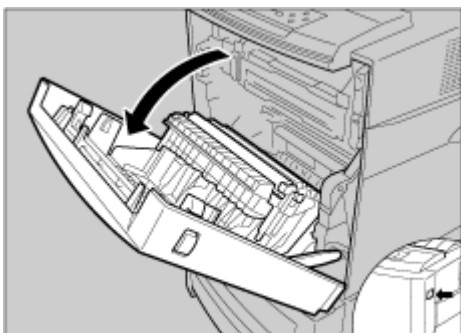
- ❖ AD440 (Duplex Unit)



ZHEP240E

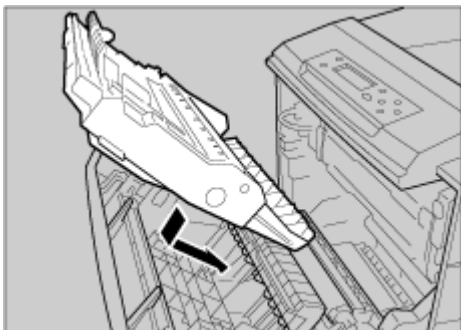
3 Remove the adhesive tape.

4 Open the front cover by pushing the front cover release button.

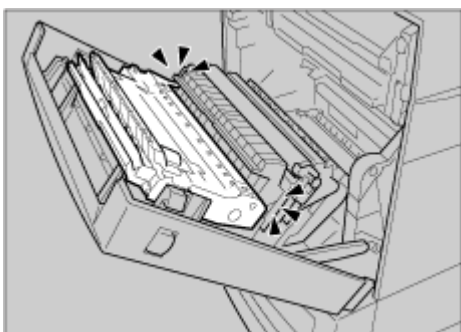


AJT0505

- 5** Hold the duplex unit as shown in the illustration, and then insert it into the inside of the front cover.



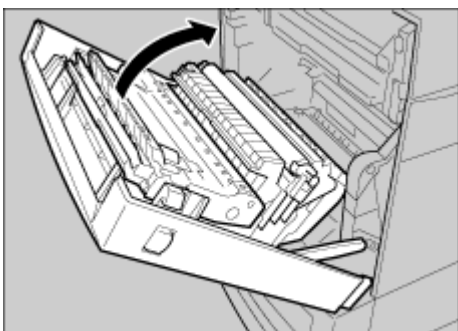
AJT0615



ZHBP280E

Align the arrows, and then insert the duplex unit until it clicks.

- 6** Close the front cover.



ZHBP282E

 Note

- After finishing installation, check the duplex unit is installed properly: print the configuration page from the “List/Test Print” menu. If it is installed properly, you will see “Duplex Unit” for “Options”.
- If the duplex unit is not installed properly, reinstall it from the start of the procedure. If you cannot install it properly even after attempting reinstallation, contact your sales or service representative.

Reference

For details about printing the configuration page, see [p.40 “Test Printing”](#).

Attaching Memory Unit Type D 128MB, Memory Unit Type E 256MB (SDRAM Module)

⚠ CAUTION

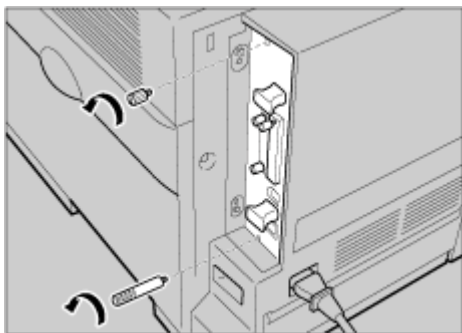
- *Do not touch the inside of the controller board compartment. Doing so may cause a malfunction or a burn.*

★ Important

- Before touching the memory unit, ground yourself by touching something metal to discharge any static electricity. Static electricity can damage the memory unit.
- Do not subject the memory unit to physical shocks.
- Available memory varies depending on model type.
- Before using the new memory unit, you must make settings in the printer driver.

1 Turn off the power, and then unplug the power cable.

2 Remove the two screws securing the controller board to the back of the printer.

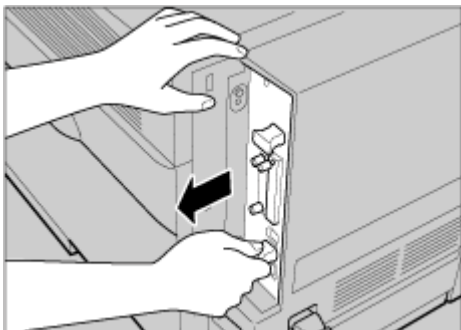


AJT0085

↓ Note

- These screws will be used again in step **11** to secure the controller board.

- 3** Hold the machine with one hand, grasp the handle with the other hand, and then slowly pull out the controller board.

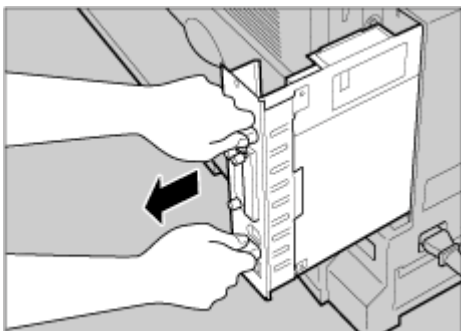


AJT0095

↓ Note

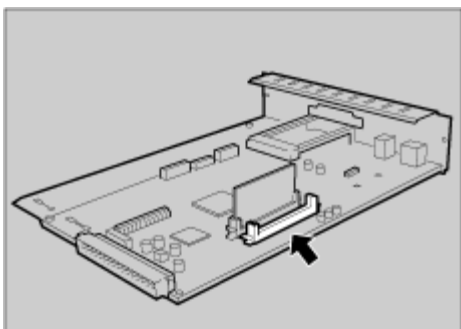
- The controller board may be difficult to pull out.

- 4** Hold the handles with both hands, and then pull the controller board completely out.



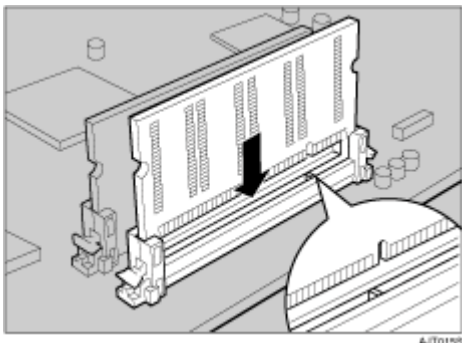
AJT0095

There are two slots for the Memory Unit. Use the available slot to install an optional Memory Unit

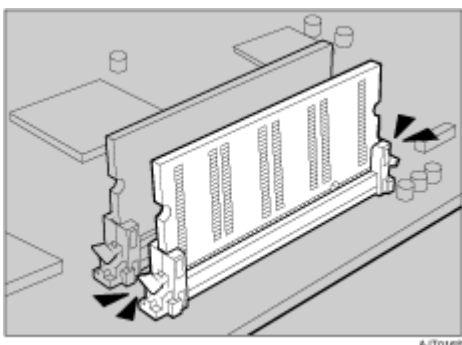


AJT0105

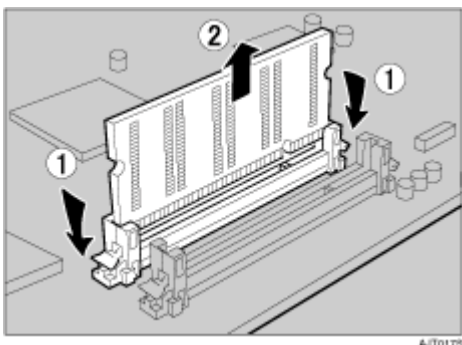
- 5** Adjust the notch of the Memory Unit to the slot, and then insert vertically.



- 6** Press the Memory Unit down until it clicks into place.



- 7** When replacing the default SDRAM module, press down the levers on both sides (1) to remove the default module (2).



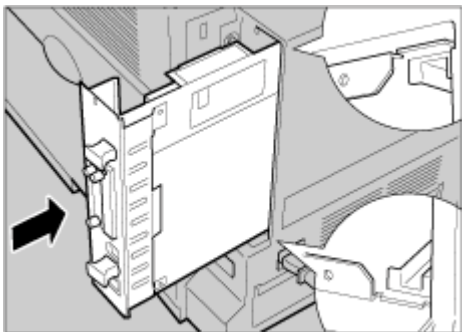
Install a new SDRAM module.

Note

- To increase memory capacity to the maximum of 512 MB, remove the default SDRAM module, and then install two 256 MB SDRAM modules.

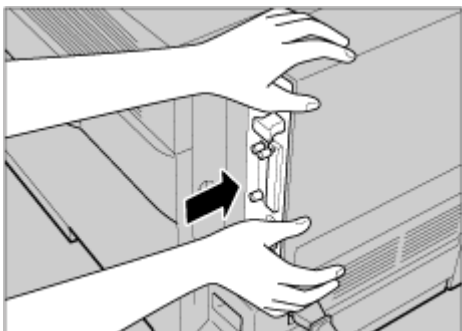
- 8** When installing other options on the controller board, do not close the controller board, but go to the steps for installing the option.

- 9** Align the controller board with the top and bottom rails, and then push it carefully in until it stops.



AJT0135

- 10** Hold the machine with one hand, and then push the lower handle of the controller board with the palm of your other hand, until it stops.

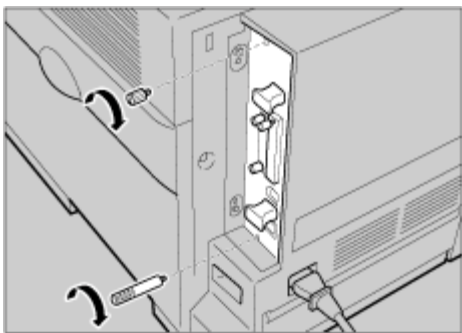


AJT053J

★ Important

- Malfunctions can occur if the controller board is not set properly.

- 11** Secure the controller board to the printer using the two screws removed in step [2](#).



AJT0145

↓ Note

- After finishing installation, check the memory unit is installed properly: print the configuration page from the “List/Test Print” menu. If it is installed properly, you will see the memory capacity for “Total Memory”.

- The table below shows total SDRAM module capacities.

Standard	Extended	Total
128 MB	128 MB	256 MB
128 MB	256 MB	384 MB
256 MB	128 MB	384 MB
256 MB	256 MB	512 MB

- If the memory unit is not properly installed, reinstall it from the start of the procedure. If you cannot install it properly even after attempting reinstallation, contact your sales or service representative.

 Reference

For details about printing the configuration page, see [p.40 “Test Printing”](#).

Attaching Printer Hard Disk Type 3000

⚠ CAUTION

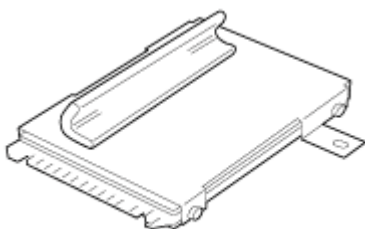
- *Do not touch the inside of the controller board compartment. Doing so may cause a machine malfunction or a burn.*

★ Important

- Before touching the printer hard disk, touch something metal to discharge any static electricity. Static electricity can damage the printer hard disk.
- Do not subject the printer hard disk to physical shocks.
- Before using the new printer hard disk, you must make the settings in the printer driver.

1 Check the package contains the following:

- ❖ **Printer Hard Disk Type 3000**



AJT0985

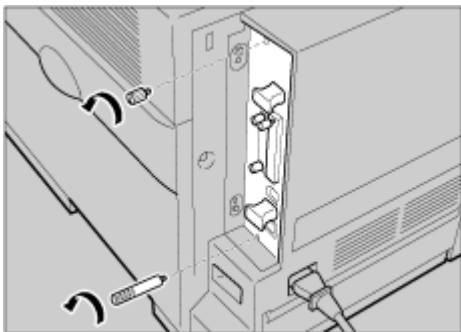
- ❖ **Screw**



AJT1025

2 Turn off the power, and then unplug the power cable.

- 3 Remove the two screws securing the controller board to the back of the printer.**

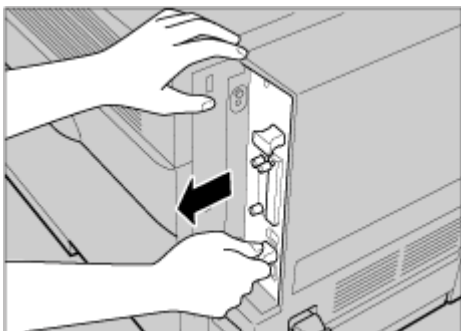


AJT0085

↓ Note

- These screws will be used again in step [11](#) to secure the controller board.

- 4 Hold the machine with one hand, grasp the handle with the other hand, and then slowly pull out the controller board.**

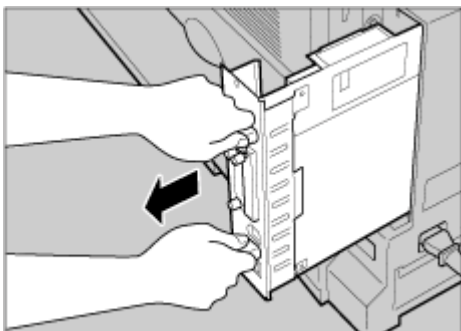


AJT0085

↓ Note

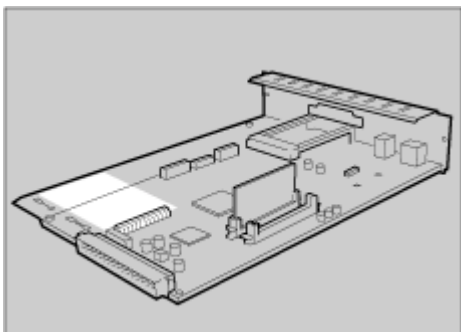
- The controller board may be difficult to pull out.

- 5 Hold the handles with both hands, and then pull the controller board completely out.**



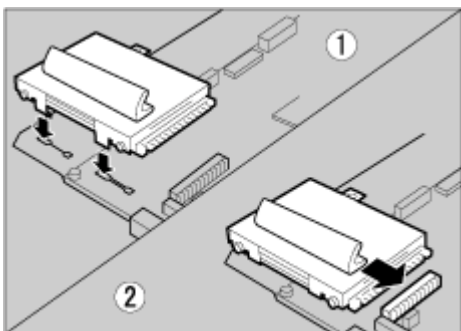
AJT0085

The printer hard disk is to be installed to the position shown in the illustration.



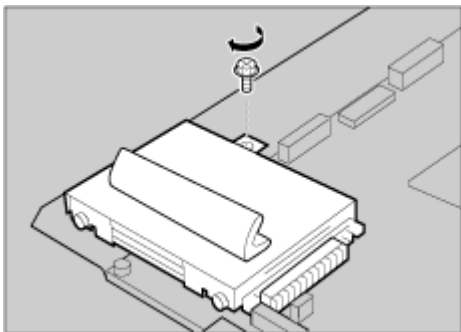
AJF0125

- 6** Insert the printer hard disk by aligning it with the controller board slot. Slide it in the direction of the arrow, and then connect it to the connector on the controller board.



AJF0205

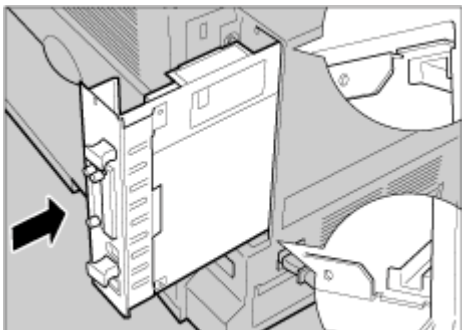
- 7** Secure the printer hard disk using the supplied screw.



AJF0215

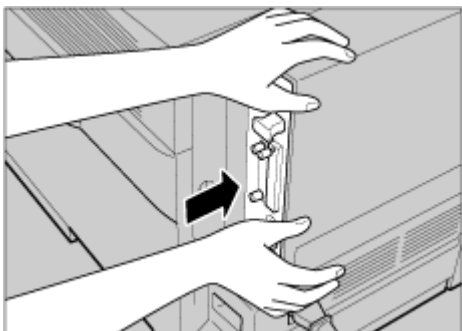
- 8** When installing other options on the controller board, do not close the controller board, but go to the steps for installing the option.

- 9** Align the controller board with the top and bottom rails, and then push it carefully in slowly until it stops.



AJT0135

- 10** Hold the machine with one hand, and then push the lower handle of the controller board with the palm of your other hand, until it stops.

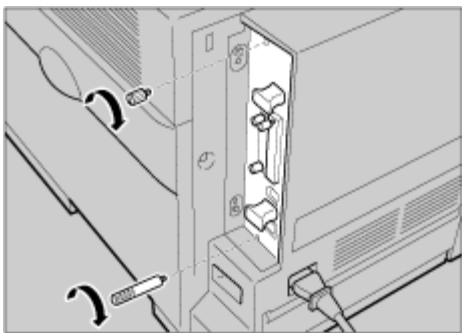


AJT053J

★ Important

❑ Malfunctions can occur if the controller board is not set properly.

- 11** Secure the controller board to the printer using the two screws removed in step **3**.



AJT0145

When the power is turned on, the printer hard disk will be formatted automatically.

↓ Note

- ❑ After finishing installation, check the printer hard disk is installed properly: print the configuration page from the “List/Test Print” menu. If it is installed properly, you will see “Printer Hard Disk Drive” for “Controller Option”.
- ❑ If the printer hard disk is not installed properly, reinstall it from the start of the procedure. If you cannot install it properly even after attempting reinstallation, contact your sales or service representative.

☰ Reference

For details about printing the configuration page, see [p.40 “Test Printing”](#).

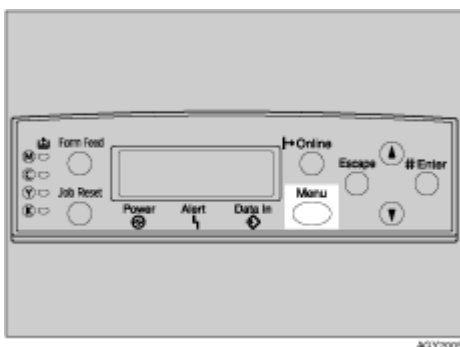
Formatting the Printer Hard Disk

If it becomes necessary to format the printer hard disk after initial setup, execute [HD Format] in the [Maintenance] menu.

★ Important

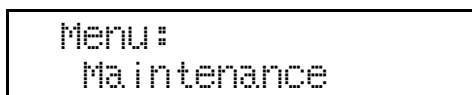
- ❑ Formatting the printer hard disk will delete all data.

1 Press the [Menu] key.



The [Menu] screen appears.

2 Press the [▲] or [▼] key to display [Maintenance], and then press the [# Enter] key.



The menu for selecting [Maintenance] items appears.

3 Press the [▲] or [▼] key to display [HD Format], and then press the [# Enter] key.

A check message appears.

 Note

- If **[HD Format]** is not displayed on the display, the printer hard disk is not installed properly. Repeat the procedure from step **1**. See [p.61 “Attaching Printer Hard Disk Type 3000”](#). If you still cannot install it properly, contact your sales or service representative.

 Important

- To avoid malfunction, do not turn off the power while formatting the printer hard disk.

4 Press the **[# Enter]** key.

The printer hard disk is formatted, and a restart message appears.

5 Turn off the power, and then turn it back on.

The printer hard disk format is completed, and now ready for use.

Attaching User Account Enhance Unit Type E

⚠ CAUTION

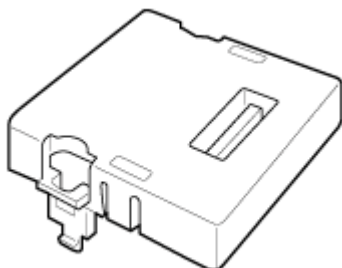
- *Do not touch the inside of the controller board compartment. Doing so may cause a malfunction or a burn.*

★ Important

- Before touching the user account enhance unit, ground yourself by touching something metal to discharge any static electricity. Static electricity can damage the user account enhance unit.
- Do not subject the user account enhance unit to physical shocks.

1 Check the package contains the following:

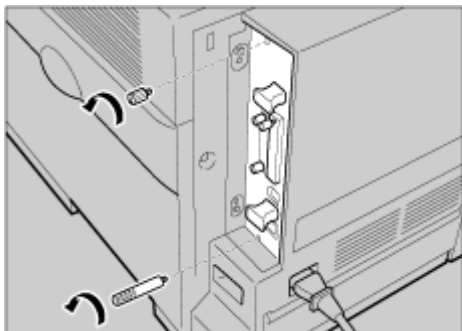
- ❖ User Account Enhance Unit Type E



AET0805

2 Turn off the power, and then unplug the power cable.

3 Remove the two screws securing the controller board to the back of the printer.

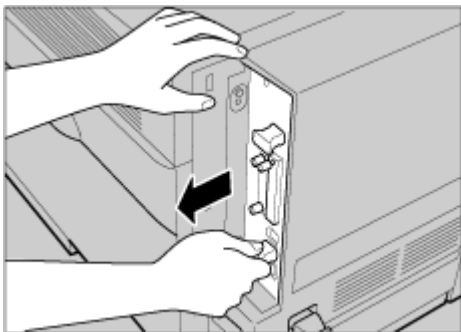


AJT0885

↓ Note

- These screws will be used again in step **10** to secure the controller board.

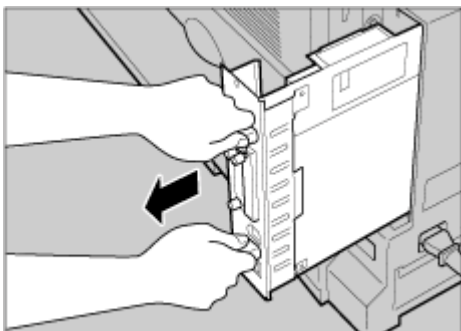
- 4** Hold the machine with one hand, grasp the handle with the other hand, and then slowly pull out the controller board.



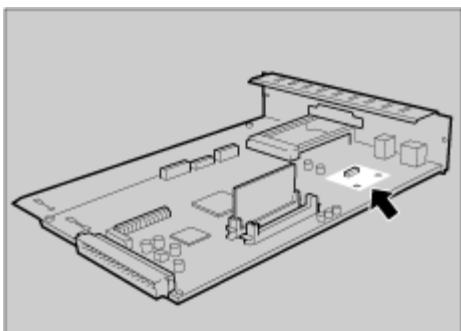
↓ Note

- The controller board may be difficult to pull out.

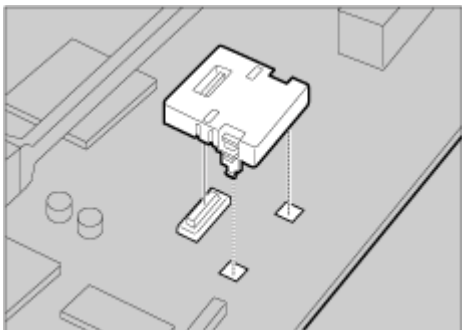
- 5** Hold the handles with both hands, and then pull the controller board completely out.



The user account enhance unit is to be installed to the position shown in the illustration.

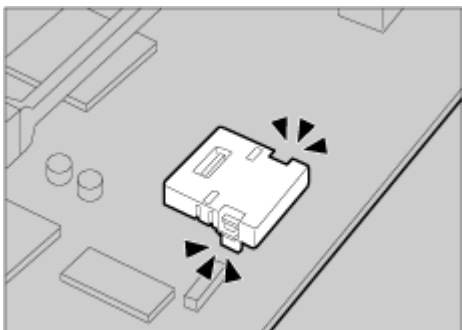


- 6** Align the notch of the user account enhance unit, and then insert it into the controller board, pressing it down until it clicks into place.



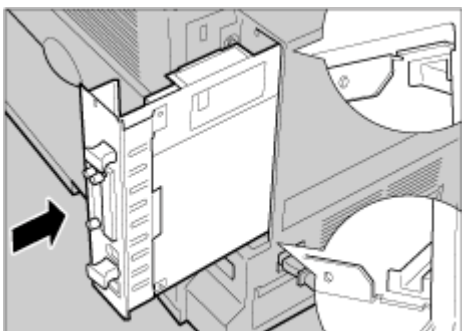
AJT0185

- 7** Make sure that the user account enhance unit is firmly connected to the controller board.



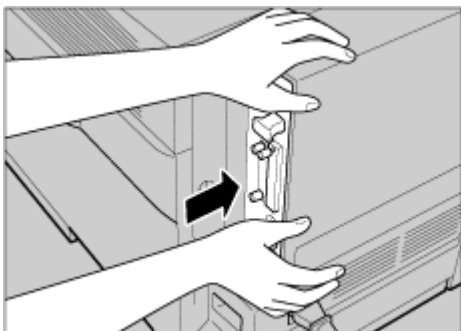
AJT0195

- 8** Align the controller board with the top and bottom rails, and then push it carefully in until it stops.



AJT0135

- 9** Hold the machine with one hand, and then push the lower handle of the controller board with the palm of your other hand, until it stops.

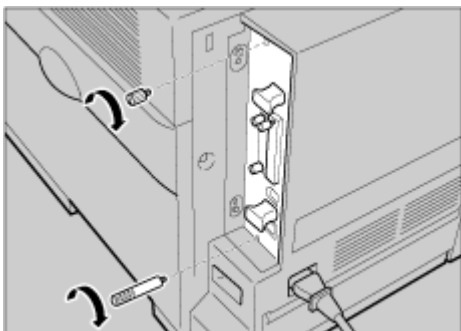


AJT053J

★ Important

- Malfunctions can occur if the controller board is not set properly.

- 10** Secure the controller board to the printer using the two screws removed in step [3](#).



AJT0145

↓ Note

- After finishing installation, check the user account enhance unit is installed properly: print the configuration page from the “List/Test Print” menu. If it is installed properly, you will see “Accounting Module” for “Controller Option”.
- If the user account enhance unit is not installed properly, reinstall it from the start of the procedure. If you cannot install it properly even after attempting reinstallation, contact your sales or service representative.

☰ Reference

For details about printing the configuration page, see [p.40 “Test Printing”](#).

Attaching IEEE 1394 Interface Board Type B

⚠ CAUTION

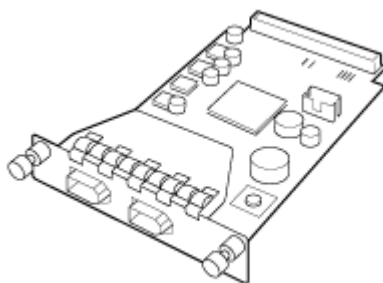
- *Do not touch the inside of the controller board compartment. Doing so may cause a malfunction or a burn.*

★ Important

- ❑ The 1394 interface board uses “IP over 1394” and “SCSI print”. Operating system-compatible connection methods are as follows (IEEE 1394 cannot be used with Windows 95/98 and Windows NT 4.0):
 - Windows Me
“IP over 1394”
 - Windows 2000
“SCSI print”
 - Windows XP, Windows Server 2003
“IP over 1394”, “SCSI print”
- ❑ Under Windows 2000, the 1394 interface board can only be used with Service Pack 1 or later. The client cannot install the printer driver without using an account that has administrators access rights.
- ❑ Before touching the 1394 interface board, ground yourself by touching something metal to discharge any static electricity. Static electricity can damage the 1394 interface board.
- ❑ Do not plug or unplug the 1394 interface cable while installing the printer driver.
- ❑ Use the 1394 interface cable that comes with 1394 interface board.

1 Check the package contains the following:

- ❖ IEEE 1394 Interface Board Type B



ABT00051

❖ Interface Cable (6 × 6 pins)

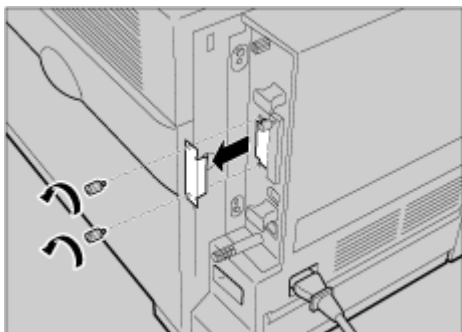


❖ Interface Cable (6 × 4 pins)



2 Turn off the power, and then unplug the power cable.

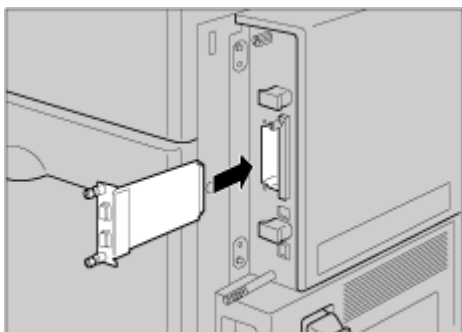
3 Loosen the two screws and remove the cover of the 1394 interface board installation unit.



AJT0225

The removed cover and two screws are not used when installing the 1394 interface board.

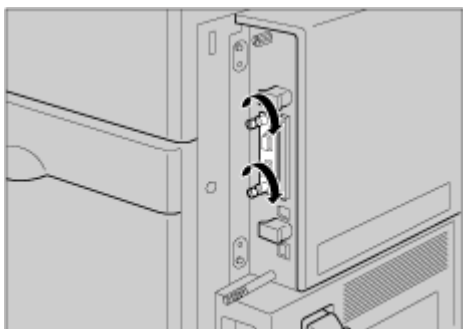
4 Fully insert the 1394 interface board.



AJT0225

Make sure that the 1394 interface board is firmly connected to the controller board.

5 Tighten the two screws to secure the 1394 interface board.



Note

- After finishing installation, check the 1394 interface board is installed properly: print the configuration page from the “List/Test Print” menu. If it is installed properly, you will see “IEEE1394 ” for “Controller Option”.
- If the 1394 interface board is not installed properly, reinstall it from the start of the procedure. If you cannot install it properly even after attempting re-installation, contact your sales or service representative.

Reference

For details about printing the configuration page, see [p.40 “Test Printing”](#).

Attaching IEEE 802.11b Interface Unit Type H

⚠ CAUTION

- *Do not touch the inside of the controller board compartment. Doing so may cause a machine malfunction or a burn.*

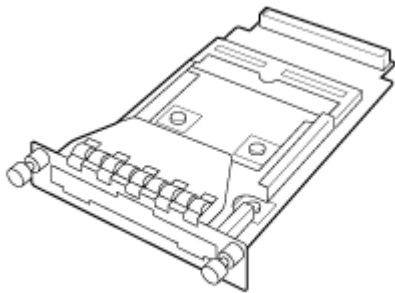
★ Important

- ❑ Before touching the 802.11b interface unit, touch something metal to discharge any static electricity. Static electricity can damage the 802.11b interface unit.
- ❑ Do not subject the 802.11b interface unit to physical shocks.

1 Check the contents of the package for the following:

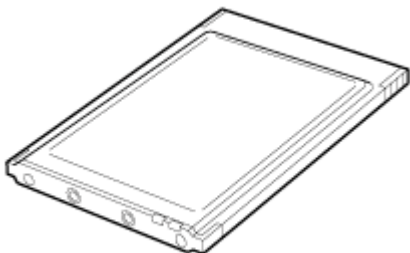
❖ IEEE 802.11b Interface Unit Type H

- Interface Unit



AAL1515

- Card



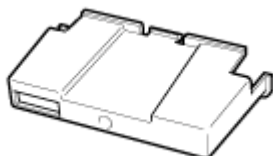
ZHP420E

- Antenna



ZHBP130E

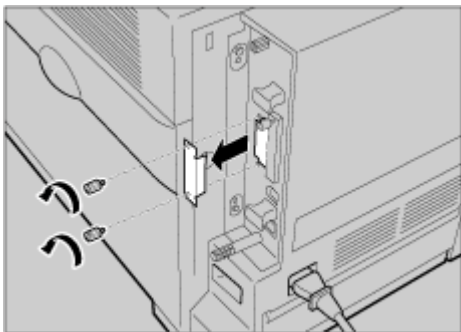
- Antenna Cap



AAL888G

2 Turn off the power, and then unplug the power cable.

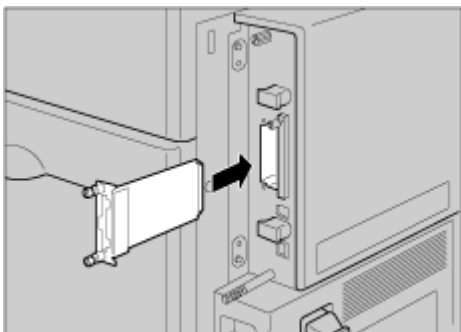
3 Loosen the two screws and remove the cover of the 802.11b interface unit installation unit.



AJT0255

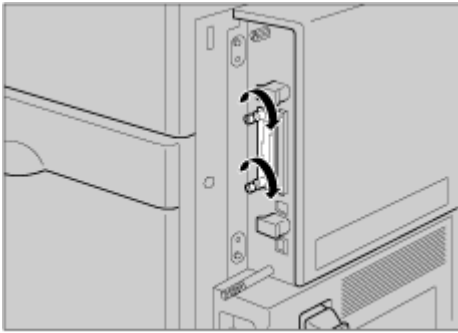
The removed cover and two screws are not used when installing the interface unit.

4 Fully insert the 802.11b interface unit.

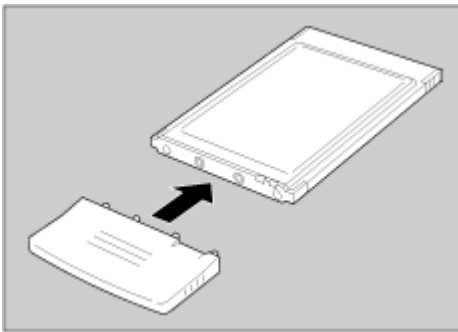


AJT0255

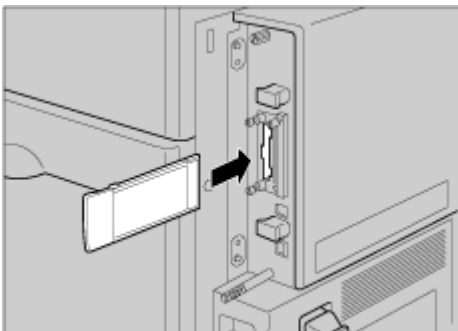
- 5** Tighten the two screws to secure the interface unit.



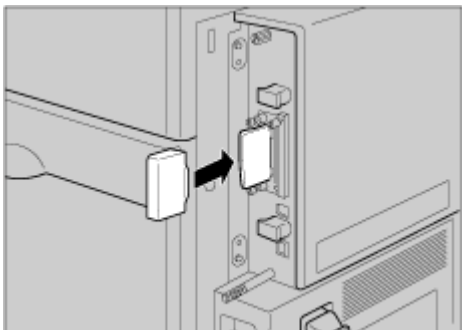
- 6** Attach the antenna to the card with the label facing down and the uneven side of the antenna facing up.



- 7** With the antenna and indented end toward the printer front cover, slowly insert the interface card until it stops.



- 8** Holding the antenna cap with the two cut off corners toward the printer front cover, fit the cap over the card.



AJT0285

↓ Note

- After finishing installation, check the 802.11b interface unit is installed properly: print the configuration page from the “List/Test Print” menu. If it is installed properly, you will see “IEEE 802.11b” for “Controller Option”.
- If the 802.11b interface unit is not installed properly, reinstall it from the start of the procedure. If you cannot install it properly even after attempting reinstallation, contact your sales or service representative.

☰ Reference

For details about printing the configuration page, see [p.40 “Test Printing”](#).

Attaching Bluetooth Interface Unit Type 3245

⚠ CAUTION

- *Do not touch inside the controller board compartment. Doing so may cause a machine malfunction or a burn.*

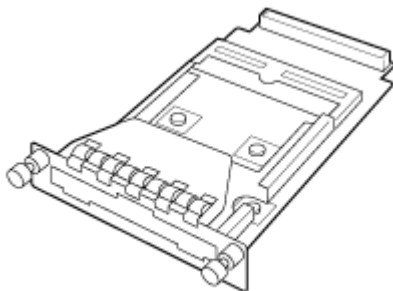
★ Important

- When using the printer with the Bluetooth interface unit installed, Bluetooth needs to be installed on the computer.
- Before manipulating the Bluetooth interface unit, touch something metal to discharge static electricity. Static electricity thing damage the Bluetooth interface unit.
- Do not subject the Bluetooth interface unit to physical shocks.

1 Check the contents of the package for the following:

❖ Bluetooth Interface Unit Type 3245

- Interface Unit



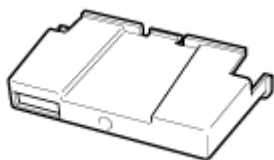
AAL1515

- Card



ZHP510E

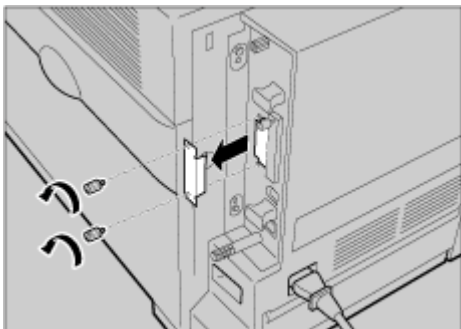
- Antenna Cap



AAL0005

2 Turn off the power, and then unplug the power cable.

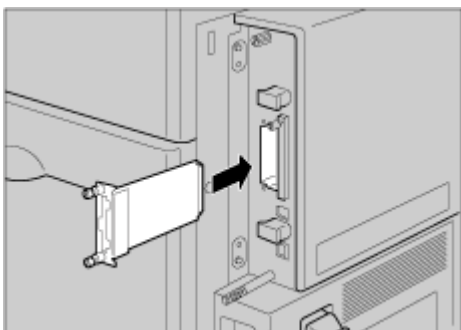
3 Loosen the two screws and remove the cover of the Bluetooth interface unit installation unit.



AJT0225

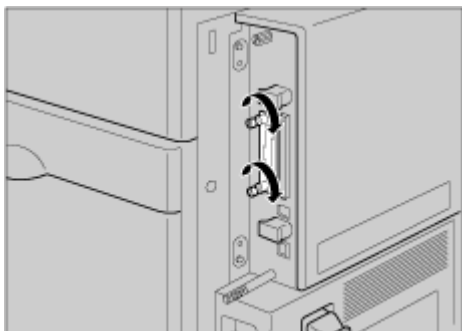
The removed cover and two screws are not used when installing the interface unit.

4 Fully insert the Bluetooth interface unit.



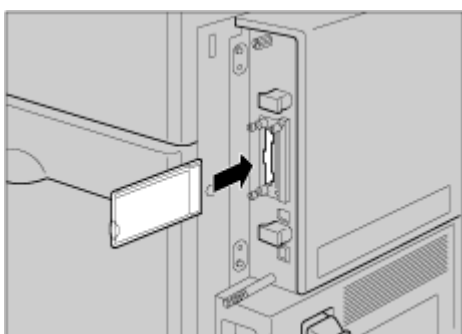
AJT0255

- 5** Tighten the two screws to secure the interface unit.



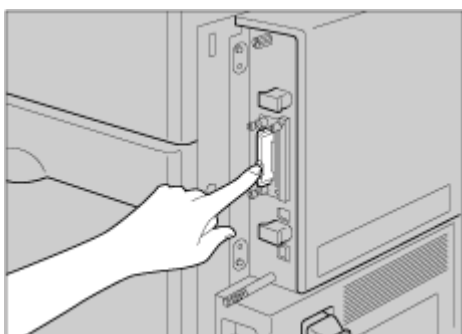
AJT0295

- 6** With the “INSERT” side toward the printer front cover, slowly insert the card into the Bluetooth interface unit until it stops.



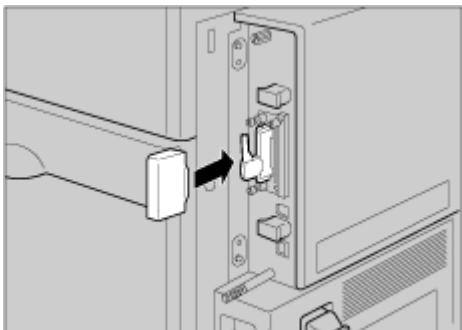
AJT0295

- 7** Press the antenna to extend it.



AJT0295

- 8** Holding the antenna cap with the two cut off corners toward the printer front cover, fit the cap over the card.



↓ Note

- After finishing installation, check the Bluetooth interface unit is installed properly: print the configuration page from the “List/Test Print” menu. If it is installed properly, you will see “Bluetooth” for “Controller Option”.
- If the Bluetooth interface unit is not installed properly, reinstall it from the start of the procedure. If you cannot install it properly even after attempting reinstallation, contact your sales or service representative.

☰ Reference

For details about Bluetooth interface unit, see the manual that comes with the Bluetooth interface board.

For details about printing the configuration page, see [p.40 “Test Printing”](#).

Attaching IEEE 1284 Interface Board Type A

⚠ CAUTION

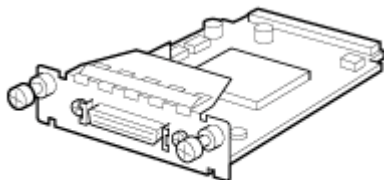
- *Do not touch inside the controller board compartment. Doing so may cause a machine malfunction or a burn.*

★ Important

- ❑ Before manipulating the 1284 interface board, touch something metal to discharge static electricity. Static electricity thing damage the 1284 interface board.
- ❑ Do not subject the 1284 interface board to physical shocks.

1 Check the package contains the following:

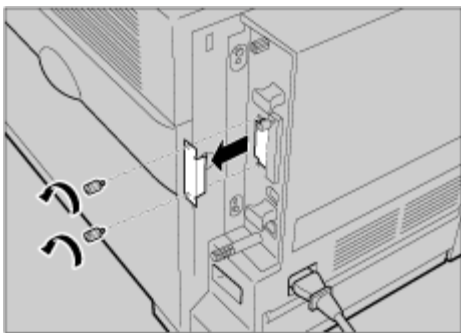
- ❖ IEEE 1284 Interface Board Type A



ABT04151

2 Turn off the power, and then unplug the power cable.

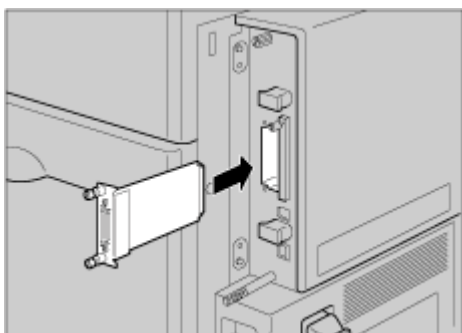
3 Loosen the two screws and remove the cover of the 1284 interface board installation unit.



AJT0225

The removed cover and two screws are not used when installing the 1284 interface board.

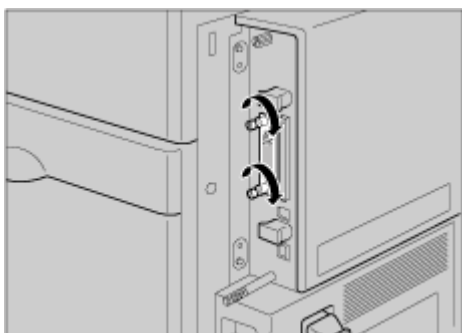
4 Fully insert the 1284 interface board.



AJT0025

Confirm that the 1284 interface board is firmly connected to the controller board.

5 Tighten the two screws to secure the 1284 interface board.



AJT0025

Note

- Use the supplied adaptor to make the connection with the computer.
- After finishing installation, check the 1284 interface board is installed properly: print the configuration page from the “List/Test Print” menu. If it is installed properly, you will see “Parallel Interface” for “Controller Option”.
- If the 1284 interface board is not installed properly, reinstall it from the start of the procedure. If you cannot install it properly even after attempting re-installation, contact your sales or service representative.

Reference

For details about printing the configuration page, see [p.40 “Test Printing”](#).

Attaching Network Data Protection Unit Type C

★ Important

Protect the network data protection unit from physical shocks.

↓ Note

Use the under slot for the data protection unit.

1 Check the package contains the following:

- ❖ Network Data Protection Unit Type C



AET1045

2 Turn off the power, and then unplug the power cable.

3 Remove the cover the controller board's central expansion card slot.

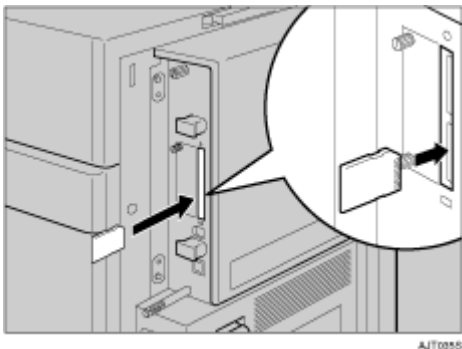


AJT1045

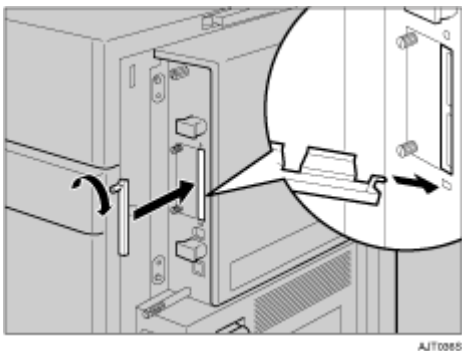
↓ Note

The removed cover is used again in step **5** to reattach the controller board.

- 4** Carefully insert the network data protection unit, until the card clicks into the place.



- 5** Reattach the cover over the network data protection unit. Fasten the screw to secure the cover.



↓ Note

- Do not touch the network data protection unit while the machine is in use. It may come loose, even if pushed only slightly.

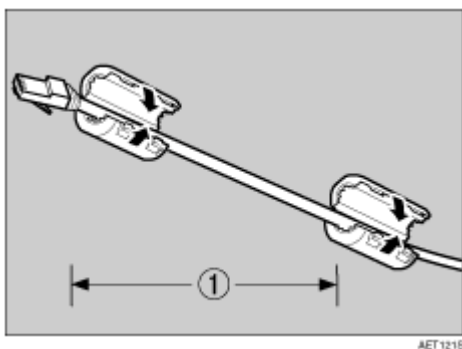
Network Connection

Follow the procedure below to connect the printer to the computer through the network. Prepare the hub and other network devices before connecting the 10 BASE-T or 100 BASE-TX cable to the machine's Ethernet port.

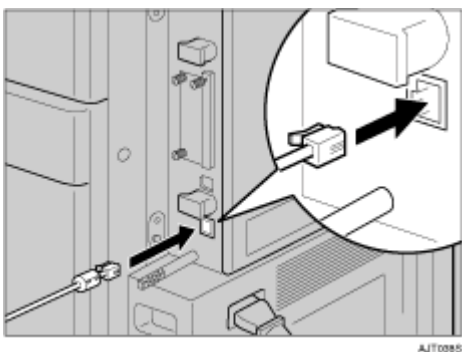
★ Important

- ❑ Use shielded Ethernet cable. Unshielded cables create electromagnetic interference that could cause malfunctions.
- ❑ Ethernet cable is not supplied with this machine. Select your cable according to the network environment.

1 Attach one ferrite core at the printer end of the Ethernet cable, and then attach the other ferrite core about 10 cm (4 inches) (①) from this core.



2 Connect the Ethernet cable to the Ethernet port.

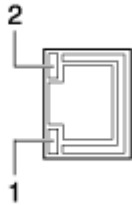


3 Connect the other end of the cable to the printer's network, such as a hub.

☰ Reference

For details about network environment settings, see Software Guide.

Reading the LED Lamps



AJT0095

1. Yellow: lit when 100 BASE-TX is being used. Unlit when 10 BASE-T is being used.

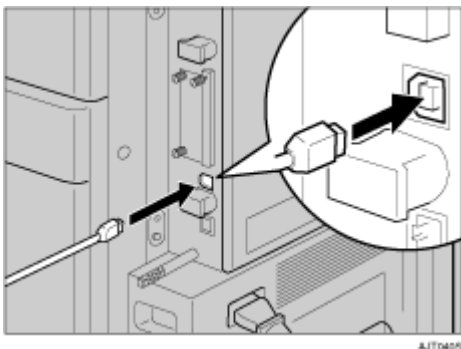
2. Green: lit when the printer is properly connected to the network.

USB Connection

★ Important

- ❑ USB2.0 interface cable is not supplied. Obtain it separately, according to the computer you are using.
- ❑ USB connection is possible under Windows 98 SE/Me/2000/XP, Windows Server 2003, Mac OS X v10.3.3 or higher.
- ❑ Windows 98 SE/Me supports USB1.1 speeds.
- ❑ Mac OS X supports only the standard USB port.

1 Connect the square-shaped connector of the USB2.0 cable to the USB port.



2 Connect the opposite end's flat connector to devices such as your computer's USB interface, or a USB hub.

Reference

For details about settings for USB connection printing, see Software Guide.

Parallel Connection

★ Important

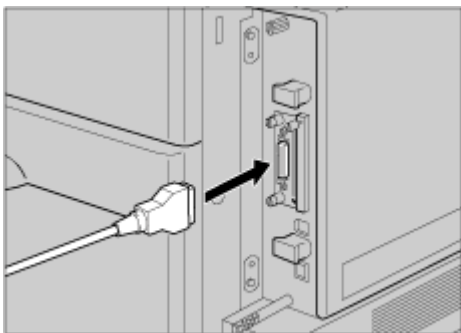
- The parallel interface cable is not provided with the printer.
- The printer's parallel connection is a standard bidirectional interface that requires an IEEE 1284-compliant 36-pin parallel cable and host computer parallel port.
- Use shielded interface cable. Unshielded cables create electromagnetic interference that could cause malfunctions.

1 Turn off the printer and computer.

2 Connect the cable to the interface connector of the IEEE 1284 interface board.

★ Important

- Voltage rating of the computer's parallel port: DC 5 V (max.)



3 Securely attach the other end of the parallel cable to your computer's parallel port. Secure the cable.

Reference

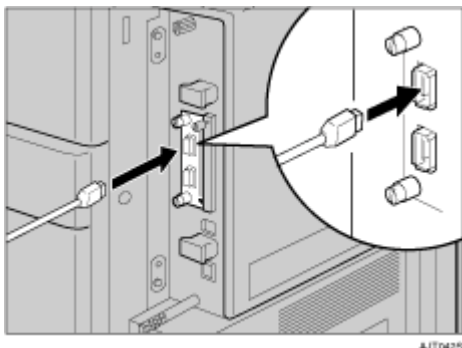
For details about settings for parallel connection printing, see Software Guide.

IEEE 1394 Connection

★ Important

- Use the 1394 interface cable provided with the 1394 interface board.
- You cannot plug devices together to create loops.
- Do not use a cable more than 4.5 meters (14.8 feet) long.

1 Connect the interface cable to the 1394 interface board.



2 Connect the other end to the host computer.

↓ Note

- You can use either connector.
- Either of the two connectors for the 1394 interface unit can be used.
- If you have an interface cable with a ferrite core, connect the ferrite core end to the printer.

☰ Reference

For details about settings for IEEE 1394(IP over 1394, SCSI print) connection printing, see Software Guide.

Ethernet Configuration

Make the following network settings according to the network interface you are using.

You can use SmartDeviceMonitor for Admin or a Web browser to make IP address-related settings in a TCP/IP-capable environment.

★ Important

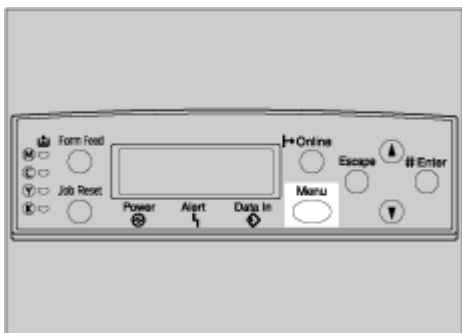
- Configure the printer for the network using the control panel.
- The following table shows the control panel settings and their default values. These items appear in the **[Host Interface]** menu.

Setting Name	Value	
DHCP	On	
IP Address	011.022.033.044	
Subnet Mask	000.000.000.000	
Gateway Address	000.000.000.000	
Frame Type (NW)	Auto Select	
Active Protocol	TCP/IP	Active
	NetWare	Active
	SMB	Active
	Apple-Talk	Active
Ethernet Speed	Auto Select	
LAN Type	Ethernet	

↓ Note

- If DHCP is in use, the IP address, subnet mask, and gateway address are all set automatically.
- Make this setting only when it is necessary. See Software Guide.

1 Press the **[Menu]** key.



AGY2005

The [Menu] screen appears.

- 2** Press the [▲] or [▼] key to display [Host Interface] menu, and then press the [# Enter] key.

```
Menu:
Host Interface
```

The interface setting menu appears.

- 3** Press the [▲] or [▼] key to display [Network Setup], and then press the [# Enter] key.

The network setup menu appears.

- 4** Press the [▲] or [▼] key to display [Active Protocol], and then press the [# Enter] key.

- 5** Press the [▲] or [▼] key to select Active Protocol, and then press the [# Enter] key.

```
Active Protocol:
TCP/IP
```

The following example explains activating TCP/IP.

The “Active/Not Active” selection screen appears.

- 6** Press the [▲] or [▼] key to select [Active] or [Not Active], and then press the [# Enter] key.

```
TCP/IP:
*Active
```

After the settings are made, about two seconds later, the screen returns to the active protocol menu.

- 7** Set other protocols you need to set in the same way.

- 8** Press the [Escape] key, the screen returns to the network setup menu.

 Note

- The default is “Active”.
- Leave unused protocols “Not Active”.
- Enable TCP/IP to use the Pure IP environment of NetWare 5/5.1, NetWare 6/6.5.

- 9** If you use TCP/IP, assign the IP address to the printer. Press the [▲] or [▼] key to display [IP Address], and then press the [# Enter] key.

The current IP address appears on the display.

To get the IP address for the printer, contact your network administrator.

- 10** Press the **[▲]** or **[▼]** key to enter the left most entry field of the IP address, and then press the **[# Enter]** key.

```
IP Address:
192.022.033.044
```

Press the **[# Enter]** key, the screen changes, and the next field can then be entered.

 Note

- Do not set “011.022.033.044” as the IP address.
- The value moves by 10 if the **[▲]** or **[▼]** key is kept pressed.
- When the **[# Enter]** key is pressed, the cursor moves to the next field.
- To display the previous field, press the **[Escape]** key.
- Press the **[Escape]** key when no value is entered and the screen will return to the network setup menu, without the IP address changing.

- 11** Make the other settings in the same way, and then press the **[# Enter]** key.

```
IP Address:
192.168.000.010
```

After the settings are made, about two seconds later, the screen returns to the network setup menu.

- 12** If you use TCP/IP, assign [Subnet Mask] and [Gateway Address] following the same procedure for entering the IP address.

- 13** When you use this machine in DHCP environment, set DHCP to “On”.

 Important

- When DHCP is “On”, you cannot make settings for the following items:
 - IP Address
 - Subnet Mask
 - Gateway Address

 Note

- Consult your network administrator for information about making network settings.

- 14** Press the [▲] or [▼] key to display [DHCP], and then press the [# Enter] key.

```
Network Setup:
  DHCP
```

- 15** Press the [▲] or [▼] key to display [On], and then press the [# Enter] key.

```
DHCP:
*On
```

↓ Note

- “* ” shows the current setting.
- After about two seconds, the display returns to the network setup menu.

- 16** If you use NetWare, select the frame type for NetWare.

Select one of the items below if necessary.

- Auto Select (Default)
- Ethernet II
- Ethernet 802.2
- Ethernet 802.3
- Ethernet SNAP

↓ Note

- Usually, use the default setting (“Auto Select”). When you first select [Auto Select], the frame type detected by the printer is adopted. If your network can use more than two frame types, the printer may fail to select the correct frame type if [Auto Select] is selected. In this case, select the appropriate frame type.

- 17** Press the [▲] or [▼] key to display [Frame Type (NW)], and then press the [# Enter] key.

```
Network Setup:
  Frame Type (NW)
```

The current setting appears on the display.

- 18** Press the [▲] or [▼] key to display the frame type you want to use, and then press the [# Enter] key.

```
Frame Type (NW):
*Auto Select
```

After the settings are made, about two seconds later, the screen returns to the network setup menu.

19 Press the [Online] key.

The initial screen appears.

20 Print a configuration page to confirm the settings made.



For details about printing the configuration page, see [p.40 "Test Printing"](#).

IEEE 802.11b (Wireless LAN) Configuration

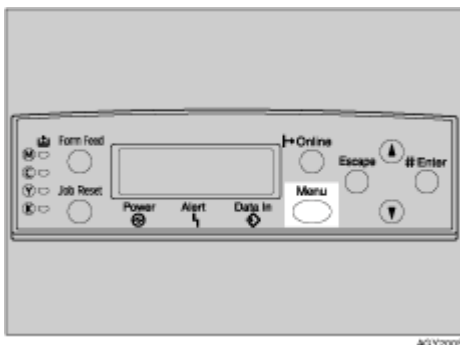
Configure the printer to use IEEE 802.11b (Wireless LAN). The following table shows the control panel settings and their default values. These items appear in the **[Host Interface]** menu.

Setting Name	Default Value
Comm. Mode	802.11 Ad hoc
Channel	• Inch version (1-11) 11
	• Metric version (1-13) 13
Trans. Speed	Auto
SSID	blank (ASSID)
WEP Setting	Not Active

↓ Note

- To use IEEE 802.11b (Wireless LAN), select **[IEEE 802.11b]** for **[LAN Type]** in **[Network Setup]** in the **[Host Interface]** menu, and then set **[IP Address]**, **[Subnet Mask]**, **[Gateway Address]**, **[DHCP]**, **[Frame Type (NW)]** and **[Active Protocol]** under **[Network Setup]**. For details about setting items under “Configuring the Printer for the Network”, see Software Guide.
- The 802.11b interface unit cannot be used simultaneously with a standard ethernet interface.
- In the **[SSID]** menu, if blank is specified in 802.11 Ad hoc mode or Ad hoc mode, “ASSID” appears.

1 Press the **[Menu]** key.



The **[Menu]** screen appears.

- 2** Press the [▲] or [▼] key to display [Host Interface] menu, and then press the [# Enter] key.

```
Menu:
Host Interface
```

The interface setting menu appears.

- 3** Press the [▲] or [▼] key to display [IEEE 802.11b] , and then press the [# Enter] key.

The [IEEE 802.11b] setting menu appears.

- 4** Press the [▲] or [▼] key to display [Comm. Mode], and then press the [# Enter] key.

- 5** Press the [▲] or [▼] key to select the transmission mode of IEEE 802.11b, and then press the [# Enter] key.

```
Comm. Mode:
*802.11 Ad hoc
```

After the settings are made, about two seconds later, the screen returns to the IEEE 802.11b setting menu.

↓ Note

- The factory default is “802.11 Ad hoc”.
- To use an IEEE 802.11b card for which the SSID (Network Name) setting is not necessary, select [Ad hoc].
- The transmission mode of IEEE 802.11b can also be set using a Web browser. For details, see Web browser, and “Configuring the Network Interface Board Using Web Browser”, Software Guide.

- 6** If [802.11 Ad hoc] or [Ad hoc] is selected for [Comm. Mode], set the channel to use for transmission.

↓ Note

- Confirm the network administrator for the channel to use.

- 7** Press the [▲] or [▼] key to display [Channel], and then press the [# Enter] key.

The channel currently used appears on the display.

- 8** Press the [▲] or [▼] key to enter the channel, and then press the [# Enter] key.

```
Channel :
(1-13)   13
```

9 Set [Trans. Speed] in the same way.

↓ Note

- The factory default is “Auto”. If you need to change the transmitting speed depending on environment you are using, select the appropriate transmitting speed.

10 If [Infrastructure] or [802.11 Ad hoc] is selected for [Comm. Mode], set [SSID] to use for transmission.

↓ Note

- Confirm the network administrator for SSID to use.
- SSID can also be set using a Web browser. For details, see the Web Image Monitor Help, and “Configuring the Network Interface Board Using Web Browser”, Software Guide.

11 Press the [▲] or [▼] key to display [SSID], and then press the [# Enter] key.

The following message appears on the display.

```

SSID:
View
  
```

If an SSID has been set, you can check the set SSID. Press the [# Enter] key.

12 Press the [▲] or [▼] key to display [Enter ID], and then press the [# Enter] key.

The following message appears on the display.

```

SSID:          [ 0]
█
  
```

The value in brackets at the upper right is the number of characters entered.

13 Press the [▲] or [▼] key to select characters, and then press the [# Enter] key.

```

SSID:          [ 1]
A█
  
```

You can now enter the next character.

14 Continue entering the key.

↓ Note

- The characters that can be used are ASCII 0x20-0x7e (32 bytes).
- To display the previous character, press the [Escape] key.

- 15** After entering the key, press the [# Enter] key twice.

```
SSID:      [32]
AAAAAAAAAAAAAAAAAAAA
```

After the settings are made, about two seconds later, the screen returns to the IEEE 802.11b setting menu.

- 16** In the case of using a WEP key on a network, activate the WEP setting to be used for communication along with WEP.

↓ Note

- Confirm the network administrator for the WEP Key to use.
- WEP key can also be set using a Web browser. For details, see Web Image Monitor Help.

- 17** Press the [▲] or [▼] key to display [WEP Setting], and then press the [# Enter] key.

The following message appears on the display.

```
WEP Setting:
*Not Active
```

- 18** Press the [▲] or [▼] key to display [Active], and then press the [# Enter] key.

The following message appears on the display.

```
Change WEP Key:
Yes (HEX)
```

↓ Note

- When setting the [WEP Setting] to [Active], you will need to enter the WEP key. If you have not entered the key, be sure to enter it.
- If you have entered the WEP key and change the setting, press the [▲] or [▼] key to display [No], and then press the [# Enter] key.

- 19** Press the [▲] or [▼] key to display [Yes (HEX)] when inputting a hexadecimal WEP key or [Yes (ASCII)] when inputting an ASCII WEP key. Then press the [# Enter] key.

```
WEP Key:      [ 0]
█
```

The value in brackets at the upper right is the number of characters entered.

- 20** Press the [▲] or [▼] key to select characters, and then press the [# Enter] key.

```
WEP Key:      [ 1 ]
*█
```

You can now enter the next character.

```
WEP Key:      [ 2 ]
**█
```

Continue entering the key.

↓ Note

- When using 64 bit WEP, up to 10 characters can be used for hexadecimal and up to five characters for ASCII. When using 128 bit WEP, up to 26 characters can be used for hexadecimal and up to 13 characters for ASCII.
- The number of characters that can be entered is limited to 10 or 26 for hexadecimal and 5 or 13 for ASCII. If you try to enter too many characters, the following message appears:
 - hexadecimal

```
Error: Enter 10
or 26 characters
```

- ASCII

```
Error: Enter 5
or 13 characters
```

- For ASCII character strings, each capital letter and lowercase letter is recognized respectively.
- To display the previous character, press the [Escape] key.

- 21** After entering the key, press the [# Enter] key.

```
WEP Key:      [26]
*****█
```

After the settings are made, about two seconds later, the screen returns to the IEEE 802.11b setting menu.

- 22** Press the [Online] key.

The initial screen appears.

- 23** Print a configuration page to confirm the settings made.

Reference

For details about printing the configuration page, see [p.40 “Test Printing”](#).

IEEE 1394 Configuration

Use this procedure to configure the printer for use in an IEEE 1394 environment. The following table shows the control panel settings and their default values. These items appear in the [Host Interface] menu.

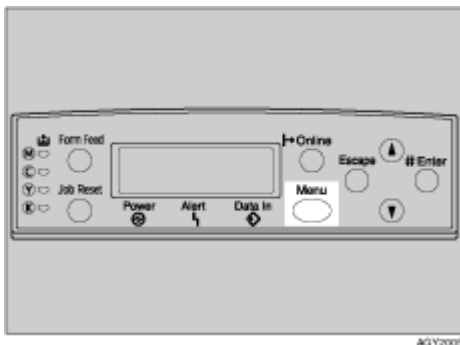
Setting Name	Value
DHCP	On
IP Address1394	011.022.033.044
Subnet Mask1394	000.000.000.000
IP over 1394	Active
SCSI print	Active
Bidi-SCSI print	On

↓ Note

If DHCP is in use, [IP Address1394] and [Subnet Mask1394] are automatically set.

IP over 1394

1 Press the [Menu] key.



The [Menu] screen appears.

2 Press the [▲] or [▼] key to display [Host Interface] menu, and then press the [# Enter] key.

```
Menu:
Host Interface
```

The interface setting menu appears.

3 Press the [▲] or [▼] key to display [IEEE 1394 Setup], and then press the [# Enter] key.

The IEEE 1394 setting menu appears.

- 4** Press the [▲] or [▼] key to display [IP over 1394], and then press the [# Enter] key.

The IP over 1394 setting menu appears.

- 5** Press the [▲] or [▼] key to select either [Active] or [Not Active], and then press the [# Enter] key.

```
IP over 1394:
*Active
```

After the settings are made, about two seconds later, the screen returns to the IEEE 1394 setting menu.

- 6** Assign the IP address to the printer. Press the [▲] or [▼] key to display [IP Address1394], and then press the [# Enter] key.

The current IP address appears on the display.

↓ Note

- Do not set the same IP address as that used for the Ethernet network settings or in the same subnet. Also, do not specify the same subnet mask.
- Do not set "011.022.033.044" as the IP address.
- To get the IP address for the printer, contact your network administrator.

- 7** Press the [▲] or [▼] key to enter the left most entry field of the IP address, and then press the [# Enter] key.

```
IP Address1394:
19▣.022.033.044
```

The pointer (▣) moves to the next entry field automatically.

```
IP Address1394:
192.02▣.033.044
```

↓ Note

- The value moves by 10 if the [▲] or [▼] key is kept pressed.
- You can return the pointer (▣) to the previous (left) entry field by pressing the [Escape] key.
- If you press the [Escape] key when the pointer (▣) is on the leftmost position, the selected IP address is reset.

- 8** Set other fields similarly, and then press the [# Enter] key.

The settings are made and after about two seconds, the screen returns to the IEEE 1394 setting menu.

- 9** Set [Subnet Mask1394] in the same way.

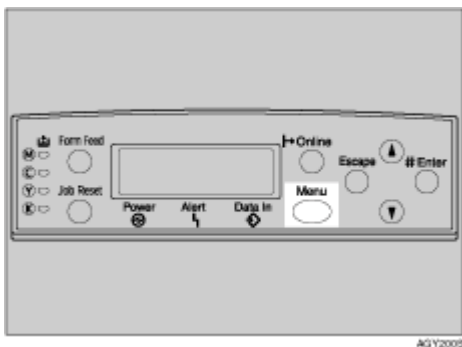
10 Press the [Online] key.

The initial screen appears.

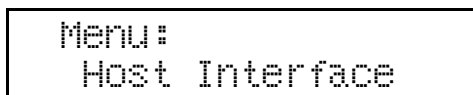
11 Print a configuration page to confirm the settings made.**Reference**

For details about printing the configuration page, see [p.40 “Test Printing”](#).

SCSI print

1 Press the [Menu] key.

The [Menu] screen appears.

2 Press the [▲] or [▼] key to display [Host Interface] menu, and then press the [# Enter] key.

The interface setting menu appears.

3 Press the [▲] or [▼] key to display [IEEE 1394 Setup], and then press the [# Enter] key.

The IEEE 1394 setting menu appears.

4 Set [SCSI print] and [Bidi-SCSI print] if necessary.**Note**

The default setting is “Active”.

5 Press the [▲] or [▼] key to display [SCSI print], and then press the [# Enter] key.

- 6** Press the [▲] or [▼] key to select either [Active] or [Not Active], and then press the [# Enter] key.

```
SCSI Print:
*Active
```

After the settings are made, about two seconds later, the screen returns to the IEEE 1394 setting menu.

- 7** Set [Bidi-SCSI print] in the same way.

- 8** Press the [Online] key.

The initial screen appears.

- 9** Print a configuration page to confirm the settings made.

 Reference

For details about printing the configuration page, see [p.40 "Test Printing"](#).

Quick Install

Windows 95/98/Me, Windows 2000/XP, Windows Server 2003, and Windows NT 4.0 users can easily install this software using the CD-ROM provided.

Using Quick Install, the PCL printer driver and/or RPCS printer driver and Smart-DeviceMonitor for Client is installed under network environment, and TCP/IP port will be set.

★ Important

- ❑ To install printer driver under Windows 2000/XP Professional, Windows Server 2003, and Windows NT 4.0, you must have an account that has Manage Printers permission. Log on as an Administrator.
- ❑ The Quick Install is not available when using this printer under USB connection. If you connect using USB, see Software Guide.

1 Quit all applications currently running.

2 Insert the CD-ROM into the CD-ROM drive.

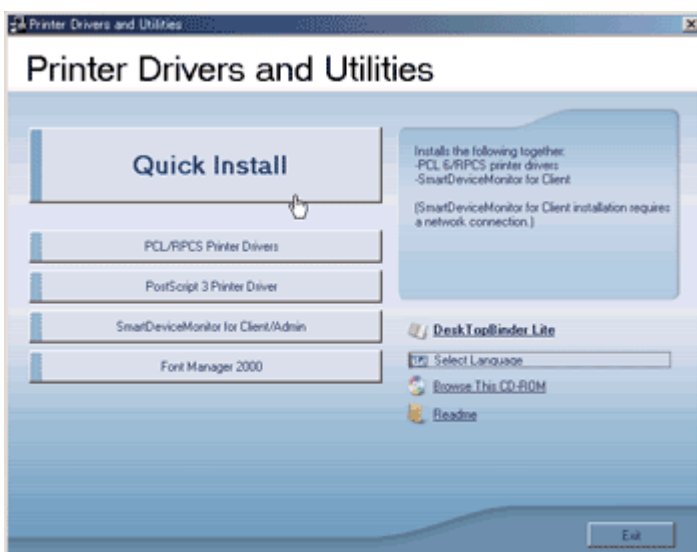
The installer starts.

Auto Run may not work with certain operating system settings. If this happens, launch “Setup.exe” on the CD-ROM root directory.

3 Select an interface language, and then click [OK].

The default interface language is English.

4 Click [Quick Install].



The software license agreement appears in the [License Agreement] dialog box.

5 After reading the agreement, click [I accept the agreement.], and then click [Next >].

6 Select the printer model you want to use in the [Select Printer] dialog box.

 Note

- For network connection via TCP/IP, select the printer whose IP address is displayed in [Connect To].
- For parallel connection, select the printer whose printer port is displayed in [Connect To].

7 Click [Install].

The printer driver installation starts.

8 Click [Finish]

A message about restarting the computer may appear. Restart the computer to complete installation.

9 Click [Exit] in the first dialog box of the installer, and then take out the CD-ROM.

 Note

- To stop installation of the selected software, click [Cancel] before installation is complete. Restart the computer, and then reinstall the other software or printer drivers.
- Auto Run may not work with certain operating system settings. If this happens, launch "Setup.exe" on the CD-ROM root directory.
- Select a printer to whose IP address is displayed in [Connect To] to install SmartDeviceMonitor for Client when using TCP/IP.

 Reference

Quick Install is not available unless bidirectional communication between the printer and computer is enabled via parallel connection. See "Install SmartDeviceMonitor for Client from the CD-ROM provided.", Software Guide, for details about bidirectional communication between printer and computer.

Install the Operating Instructions

The CD-ROM provided with the printer contains an HTML Operating Instructions Manual in HTML version. Follow the above instructions to install it.

★ Important

❑ System Requirements :

- Windows 95/98/Me, Windows 2000/XP, Windows Server 2003 or Windows NT4.0.
- 800 x 600 or higher monitor resolution.

❑ Web Browsers :

- Microsoft Internet Explorer 4.01 SP2 or later.
- Netscape 6.2 or later.

❑ If you are using Internet Explorer 3.02 or earlier, or Netscape Navigator 4.05 or earlier as your Web browser, a simpler version of the Operating Instructions Manual is displayed.

1 Quit all applications currently running.

2 Insert the CD-ROM into the CD-ROM drive.

The installer starts.

Auto Run may not work under certain operating system setting. If this is the case, launch “Setup.exe” on the CD-ROM root directory.

3 Select an interface language, and then click [OK].

4 Click [Install manuals].

5 Follow the instructions on the screen to complete the installation.

6 Click [Finish] when the installation is completed.

7 Click [Exit].

↓ Note

- ❑ Auto Run may not work under certain operating system setting. If this is the case, copy all datas on the CD-ROM root directory to your hard disk drive, and then launch “Setup.exe” to start the installation.
- ❑ To uninstall the Operating Instructions Manual, select [**Programs**] in the [**Start**] menu, select your printer driver, and then click [**uninstall**]. You can uninstall each Manual Guide separately.
- ❑ If you are using an incompatible Web browser and the simpler version of the Operating Instructions Manual does not correctly display correctly, open folder “MANUAL\R_MANUAL\ (language) \ (SETUP or MAINTEN or SOFTWARE) \unv\” on the CD-ROM. Double-click on “index.htm”.

Free Manuals Download Website

<http://myh66.com>

<http://usermanuals.us>

<http://www.somanuals.com>

<http://www.4manuals.cc>

<http://www.manual-lib.com>

<http://www.404manual.com>

<http://www.luxmanual.com>

<http://aubethermostatmanual.com>

Golf course search by state

<http://golfingnear.com>

Email search by domain

<http://emailbydomain.com>

Auto manuals search

<http://auto.somanuals.com>

TV manuals search

<http://tv.somanuals.com>