

ROADMASTER
Sterling
ALL-TERRAIN™
NON-BINDING TOW BAR
U.S. Patent Nos.
5,915,715
7,004,490



Quality Towing Systems since 1974

Owner's Manual

Entire contents of manual must be read by owner

Welcome to the ROADMASTER family!

This manual has been prepared to acquaint you with the installation, operation, care and maintenance of your tow bar, and to provide you with important safety information.

Read your owner's manual cover to cover. Understand how to install and operate your tow bar, and carefully follow the instructions and safety precautions.

Your tow bar has a one-year limited warranty. To qualify for your warranty, fill out and return the enclosed product registration card within 30 days of purchase. **As a bonus, we'll extend your warranty to a total of two years at no additional cost, if we receive the product registration card within 20 days of purchase.**

We thank you for your patronage and greatly appreciate your discerning taste.

IMPORTANT NOTICE!

Safety Definitions

Statements in this manual identified as follows are of special significance:



WARNING

WARNING indicates a potentially hazardous situation which, if not avoided, could result in property damage, serious personal injury, or even death.



CAUTION

CAUTION indicates a potentially hazardous situation which, if not avoided, may result in property damage, or minor or moderate personal injury.

CAUTION

CAUTION used without the safety alert symbol indicates a potentially hazardous situation which, if not avoided, may result in property damage.

NOTE

Refers to important information and is placed in italic type. It is recommended that you take special notice of these items.

Table of Contents

Safety definitions	inside front cover		
Safe towing practices	2-4		
Installer's safety checklist	4-5		
Installing the 'quick-disconnect' system	6-8		
Connecting and disconnecting			
Connecting the tow bar	8-11		
Disconnecting the tow bar	12		
Wiring instructions			
Wiring a four-wire system	13-14		
		Wiring a six-wire system	14-15
		Safety cables	
		How to use safety cables	16
		Proper installation of safety cables	17-18
		Stay within the 'Safe Zone'	19
		Care and cleaning	20
		Limited warranty	21
		Tow bar components	back cover

Your tow bar serial number...

...is located on a label on the inside of the driver's side tow bar arm. You will need this number when you fill out your product registration card.

Write down the serial number in the space below and retain for future reference.

Serial number: _____

WARNING

Read all instructions before installing the tow bar, or before towing a vehicle. Failure to understand how to properly install or operate the tow bar could result in property damage, personal injury or even death.

Safe Towing Practices

To ensure your safety and that of your passengers, as well as the safety of others on the road, follow these safe towing practices at all times.

CAUTION

• **Do not back up the motorhome with the towed vehicle attached.**

Backing up with the towed vehicle attached will cause the towed vehicle to “jackknife,” which will damage the tow bar, the mounting bracket, the receiver hitch, the towed vehicle’s front end, and/or the rear of the motorhome. Backing up with the towed vehicle attached is the primary cause of tow bar damage and will void the warranty.

• **Be sure the vehicle can be towed** before taking it on the road. Some vehicles must be equipped with a transmission lube pump, an axle disconnect, driveline disconnect or free-wheeling hubs before they can be towed. Failure to properly equip the vehicle will cause severe damage to the transmission.

Check the vehicle manufacturer’s instructions for the proper procedure(s) to prepare the vehicle for towing.

2

• **The tow bar must be within the ‘Safe Zone’** – no more than three inches above level or four inches below level. Towing with an out-of-level tow bar will cause significant wear and tear on the tow bar and mounting brackets, and on the towed vehicle’s suspension and frame. (See the section titled “Stay within the ‘Safe Zone’” for further information.)

• **The steering wheel must be unlocked and free to turn when towing.** Failure to do so can cause severe tire and equipment damage. Check the manufacturer’s instructions for the proper towing procedure(s).

• **The towed vehicle and all its contents cannot exceed 6,000 pounds.** The Sterling All Terrain tow bar is rated at a maximum of 6,000 pounds carrying capacity; therefore the towed vehicle and all its contents cannot exceed 6,000 pounds.

In addition, the receiver hitch, the safety cables, and all supplementary towing equipment must be rated at no less than the weight of the towed vehicle and all its contents.

• **The tow bar must be secured with linch pins (or optional padlocks) before towing.** Unless the tow bar is secured to both vehicles with all appropriate pins (or padlocks), the towed vehicle will detach.

• **Inspect the system before towing** – check the mounts, brackets, fasteners, bolts, wiring, the safety cables, and all other components each time before towing.

continued on next page

Safe towing practices

continued from preceding page

Additionally, check the tow bar bracket every 3,000 miles – inspect for any fractures or cracks in the steel, or any visible damage. Do not tow if the tow bar bracket is damaged.

Additionally, check the torque on all bolts. (To find the torque ratings, refer to the installation instructions for the mounting bracket and the tow bar.)

- **Never tow a vehicle with one of a comparable weight.** The towed vehicle's weight should never exceed 40 percent of the towing vehicle's weight.

Towing a vehicle with one of similar weight will cause the towed vehicle to override the towing vehicle, resulting in "jackknifing," "leapfrogging," or "fishtailing." Serious damage to both vehicles, as well as the towing system, could result.

- **Always stand to one side and as close to the motorhome as possible when releasing the tow bar locking mechanisms.** Never stand between the adjustable arms, or put any part of your body between the adjustable arms, when releasing the tow bar – always stand to one side. Because the towed vehicle may jerk forward when the locking mechanisms are released, face the towed vehicle and stand as close to the back of the motorhome as possible before releasing the locking mechanisms, to keep from being hit by the towed vehicle.

- **Always use safety cables when towing.** The safe-

ty cables, which are provided with the Sterling All Terrain, must connect the towed vehicle to the towing vehicle frame to frame.

If the safety cables are ever replaced, use only 6,000 pound or heavier rated safety cables.

Additionally, check to ensure that the safety cables are the proper length. Refer to the sections titled "How to use safety cables" and "Proper installation of safety cables" for further information.

- **Check the motorhome turning radius.** Some motorhome chassis have such a tight turning radius that you can damage your motorhome, towed vehicle, or tow bar while turning too sharply. Before getting on the road with your towed vehicle, you should test your turning radius in an empty parking lot.

With the towed vehicle attached, have someone watch as you slowly turn sharply to see whether you have this potential problem. If you do, note how far you can safely turn the motorhome's steering wheel, and be sure not to turn it further when towing. Damage that results from turning too sharply is not covered by warranty.

- **Never use the tow bar to tow more than one vehicle.** In some states it is legal to have one vehicle towing more than just one vehicle (for example, a truck which is towing a trailer which is towing a boat). However, when

continued on next page

Safe towing practices

continued from preceding page

using a tow bar, never tow more than one vehicle, or non-warranty damage or injury may result.

- **The tow bar stinger fits motorhome hitch receivers with 2-inch inner diameters.** If the motorhome hitch receiver is a larger size, attach a 2-inch adaptor sleeve (not supplied) to the hitch receiver.

Damage to the tow bar stinger or other components of the tow bar, abnormal wear patterns on the towed vehicle's tires, as well as other, consequential damage may result if an adaptor sleeve is not used.

- **Keep the tow bar clean and well-lubricated.** As is the case with most precision equipment, frequent cleaning and care results in better performance and longevity. Refer to the section titled "Care and cleaning" for further information.



WARNING

Failure to follow these instructions may cause property damage, personal injury or even death.

Installer's safety checklist

The following safety checklist is provided to the installer with the instructions for installing the Sterling All Terrain tow bar. It is repeated here for your information.

As a precaution, verify that all safety requirements have been followed before towing the vehicle.

- **Stress to the owner that the tow bar must be within the 'Safe Zone'** – no more than three inches above level or four inches below level. Towing with an out-of-level tow bar will cause significant wear and tear on the tow bar and mounting brackets, and on the towed vehicle's suspension and frame. (See the section titled "Stay within the 'Safe Zone'" for further information.)

- **Show the owner how to properly operate the tow bar.** Familiarize yourself with the features of the tow bar. Demonstrate them to the owner, and ask the owner to connect and disconnect the tow bar and other components of the towing system, until the owner is comfortable with its operation.

- **Caution the owner to use a receiver hitch rated higher than the actual weight of the towed vehicle.**

The motorhome receiver hitch must have a minimum capacity of no less than the weight of the towed vehicle and all its contents.

(The Sterling All Terrain tow bar is rated at a maxi-

continued on next page

Installer's safety checklist

continued from preceding page

mum of 6,000 pounds carrying capacity; therefore ROAD-MASTER has used 6,000 pounds as a standard for rating the weight capacity of all supplementary towing equipment, as well as the towed vehicle and all its contents, throughout this manual.)

- **The tow bar must be attached to a bracket which is bolted to the towed vehicle's frame or unibody.** In order to be towed, virtually all vehicles require a tow bar mounting bracket that is connected to the frame, unibody or chassis and extends beyond the bumper.

- **Caution the owner to secure the tow bar with linch pins (or optional padlocks) before towing.** Unless the tow bar is secured to both vehicles with all appropriate pins (or padlocks), the towed vehicle will detach.

- **Advise the owner to use 6,000 pound or higher rated safety cables.** Six-thousand pound-rated safety cables are provided with the Sterling All Terrain; if the safety cables are ever replaced, use only 6,000 pound or heavier rated safety cables.

- **Read the instructions thoroughly before installing the 'quick-disconnect' ('QD') system and its components.** The tow bar will be attached to the QD system. If the QD system is not properly aligned, centered and positioned on the towed vehicle, the tow bar will not be centered on the towed vehicle, which may cause excessive tire wear and other consequential, non-warranty

damage.

- **The installer must be sure that the vehicle is suitable or adaptable for towing.** Some vehicles must be equipped with a transmission lube pump, an axle disconnect, driveline disconnect or free-wheeling hubs before they can be towed. Failure to properly equip the vehicle will cause severe damage to the transmission.

Check the manufacturer's instructions for the proper procedure(s) to prepare the vehicle for towing.

- **The installer must NOT use the tow bar as a ground for welding.** Connecting a ground to the 'A-frame' of the tow bar will cause current to flow through the locking spring, which will detemper the spring and destroy the locking mechanism.

- **Under no circumstances should the tow bar be welded to the vehicle,** nor should any of the pre-punched mounting holes be altered. Any welding or altering of the tow bar will void the owner's warranty.

WARNING

Failure to follow these instructions may cause property damage, personal injury or even death.

Installing the 'quick-disconnect' system

Your ROADMASTER tow bar is equipped with an exclusive "quick-disconnect" (or, "QD") system. Before connecting the tow bar to the vehicle, first install the components of the QD system to the mounting bracket.

Note: the quick-disconnect system is not used with ROADMASTER 'MS' or 'MX' series mounting brackets. If the towed vehicle has MS or MX brackets, proceed to the next section – "Connecting the tow bar." The quick-disconnect system should be reserved, however, for subsequent vehicles which may not have these brackets.

1. First, attach the quick-disconnects ("QDs," parts "A" and "B" in Figure 1) to the tow bar mounting brackets. Attach the QDs so that the vertical pin on each is pointing up, as shown in Figure 1.

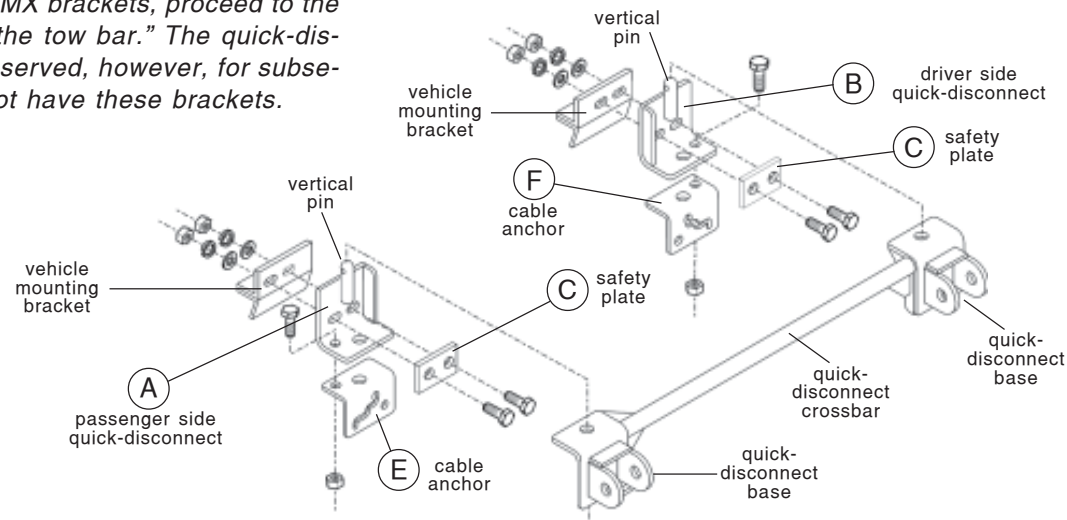
Attach part "A" on the passenger side, and part "B" on the driver side. Use the supplied $\frac{1}{2}$ " x $1\frac{1}{2}$ " bolts, the two safety plates (parts "C"), flat washers, lock washers and nuts, as shown in Figure 1.

Both QDs have cable anchors – parts "E" and "F" in Figure 1 – designed for safety cable attachment. Bolt

continued on next page

Figure 1

Quick-disconnect parts list
(2) quick-disconnects (parts A & B)
(2) cable anchors (E & F)
(2) safety plates (C)
All mounting hardware



Installing the 'quick-disconnect' system

continued from preceding page

cable anchor "E" to part "A," and cable anchor "F" to part "B," using the supplied ½" x 1" bolts and nuts.

Do not tighten any of the bolts – leave them loose for now – they will be tightened later.

WARNING

Use all mounting hardware, the safety plates, and the cable anchors. If all supplied materials are not used, the quick-disconnects, the quick-disconnect bases, or other components may vibrate loose, which may cause property damage, personal injury or even death.

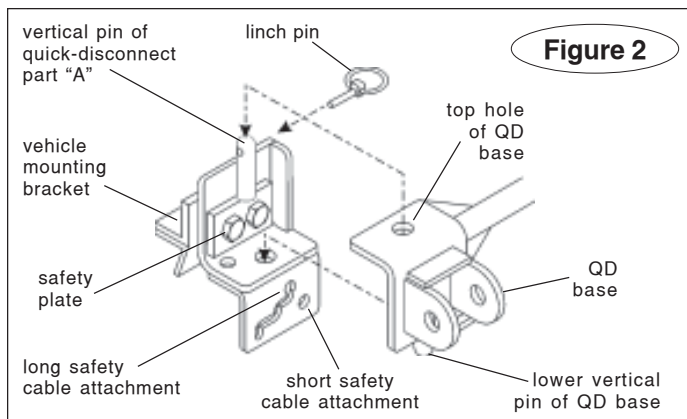


Figure 2

CAUTION

The quick-disconnects must be centered on the mounting brackets. If they are attached too far to the left or the right, the tow bar will not be centered on the towed vehicle, which will cause excessive tire wear and other consequential, non-warranty damage.

2. Now, attach both quick-disconnect ("QD") bases (and the QD crossbar) by lowering them so that the vertical pins of parts "A" and "B" extend upward through the top holes of the QD bases (Figure 2). At the same time, be certain the lower vertical pins of each QD base slide through the lower holes on parts "A" and "B" (Figure 2).

3. Both linch pins must be inserted through the upper holes in the vertical pins in parts "A" and "B," as shown in Figure 2.

Both linch pins must be locked. The rings (Figure 3) are spring-loaded – they must be snapped over the pin, as shown in Figure 3, with the curved side of the linch pin touching the ring (as shown in Figure 4), in order to keep the QD bases secure.

WARNING

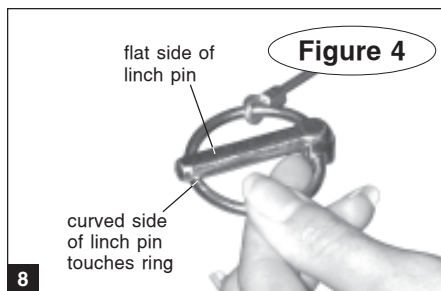
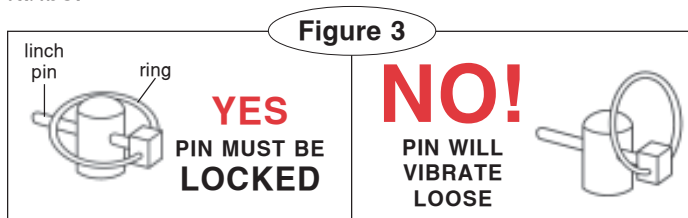
Towing vibrations will force the linch pins out un-
continued on next page

Installing the 'quick-disconnect' system

continued from preceding page

less they are properly locked in place over the vertical pins on both quick-disconnects. Refer to Figures 3 and 4. Failure to install the linch pins properly will result in tow bar malfunction, loss and damage to the vehicle and property, personal injury or even death.

4. Adjust the spacing of QDs "A" and "B" until the QD bases slide on and off easily. Now, torque all bolts to 75 ft./lbs.



Connecting the tow bar

CAUTION

Use caution when handling the tow bar – if your hands, fingers or any part of your body are caught between moving components, they can be pinched, cut or otherwise injured.

1. Follow the preceding section in this manual – “Installing the ‘quick-disconnect’ system” – to attach the tow bar quick-disconnects (“QDs”) and the QD bases.

Note: the quick-disconnect system is not used with ROADMASTER ‘MS’ or ‘MX’ series mounting brackets. Instead, the tow bar is connected directly to the mounting bracket with the base pins and linch pins.

With this exception, the instructions below apply.

2. Drive the vehicle within three or three-and-a-half feet of the motorhome hitch receiver. The vehicle does not have to be perfectly centered to the hitch receiver, just close. Then, put the vehicle in gear (park), set the emergency brake and chock one of the wheels.

3. With the tow bar in the folded position (Figure 5), insert the stinger into the motorhome hitch receiver, and attach the stinger to the hitch receiver with the hitch pin and clip (Figure 5).

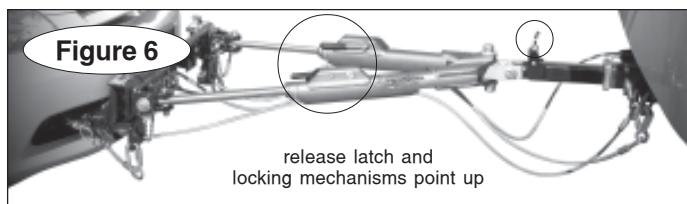
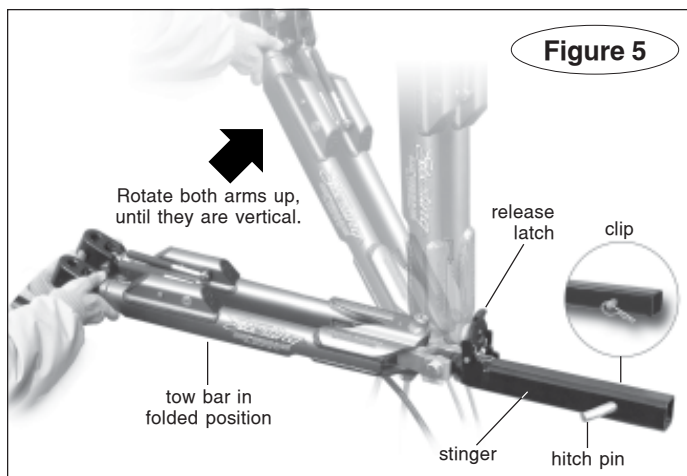
continued on next page

Connecting the tow bar

continued from preceding page

CAUTION

Attach the tow bar so that the locking mechanisms



and the release latch are pointing up, as shown in Figure 6. Components of the tow bar may be damaged if the tow bar is attached with the release latch and/or the locking mechanisms pointing down.

4. Hold both tow bar arms firmly, and rotate them up, so that they are vertical, as shown in Figure 5.

WARNING

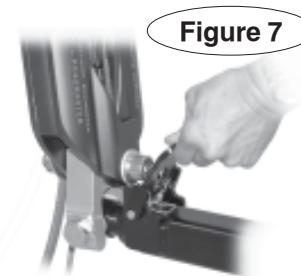
Never release the tow bar arms when they are in the vertical position. The arms can fall and cause severe personal injury.

5. Push the release latch (Figure 5, Figure 7) forward, to bring both arms down to a horizontal position.

Standing to one side, swing both arms away from you. Then, align the holes in the outermost arm with the holes in one of the tabs on the quick-disconnect base (Figure 8).

Attach the tow bar arm to the quick-disconnect base with one of the included base pins (Figure 8). Lock the base

Figure 7



continued on next page

Connecting the tow bar

continued from preceding page

pin with a linch pin (Figure 9) or optional padlock.

The linch pin must be locked. The ring (Figure 9) is spring-loaded – it must be snapped over the pin, as shown in Figure 9, with the curved side of the linch pin touching the ring (as shown in Figure 10), in order to keep the base pin secure.

WARNING

Both tow bar arms must be attached to the quick-disconnect bases and locked with a linch pin. Towing vibrations will force the linch pins out unless they are properly locked in place over the base pins on both quick-disconnect bases, as shown in Figures 9 and 10.

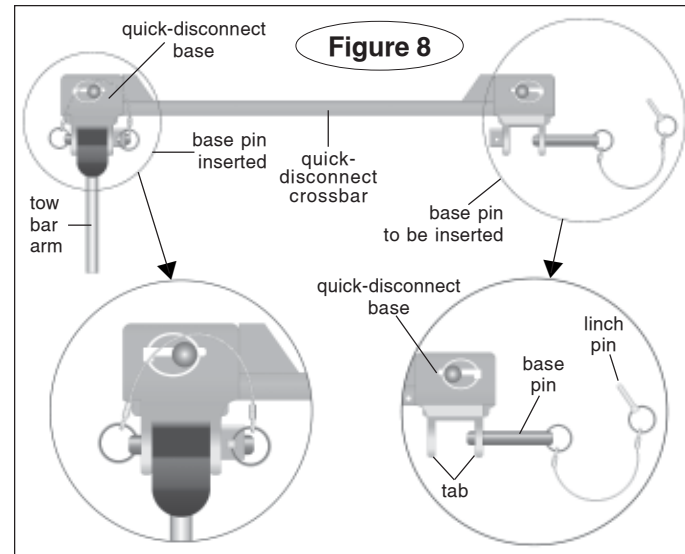
Failure to properly install and lock both base pins will result in the loss of the towed vehicle, which may cause property damage, personal injury or even death.

6. Now, swing the other arm to the opposite side and connect it in the same manner.

7. Attach the safety cables and plug in the electrical wiring cord, according to the supplier's instructions.

Before towing the vehicle, be sure the steering is unlocked, the transmission is in the proper setting, and the emergency brake is released. Remove the wheel chock.

10



Check the manufacturer's specifications, the owner's manual, or talk to the installer for the proper towing procedure(s) or requirement(s) for the vehicle to be towed.

WARNING

Do not tow the vehicle until the tow bar is attached with all pins or padlocks. Unless the tow bar is secured to both vehicles with all appropriate pins or padlocks, the vehicle will detach, which may cause property damage, personal injury or even death.

continued on next page

Connecting the tow bar

continued from preceding page

When you drive away, steer briefly to the left and then to the right, to extend, self-center and lock the tow bar.

Always stop at this time. Check the tow bar to ensure that both arms are locked, before assuming highway speed. Additionally, check the other components of your towing system, to ensure that they are fully engaged.

WARNING

Do not tow a vehicle using tow bar mounting brackets, safety cables, or a hitch receiver rated less than the actual weight of the towed vehicle.

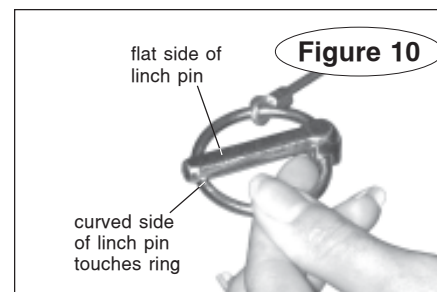
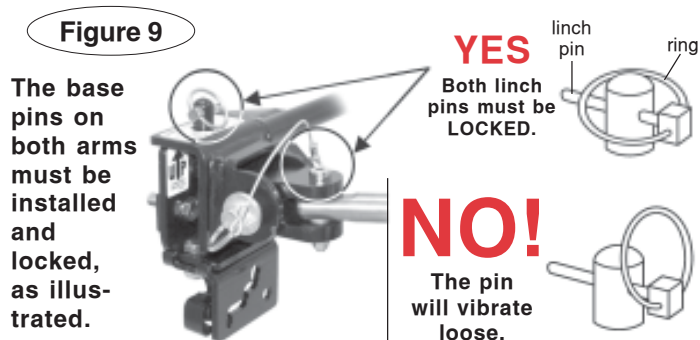
If the brackets, safety cables, hitch receiver or any supplementary towing equipment is not rated at the weight of the towed vehicle and all its contents, it may

fail during towing, causing property damage, personal injury or even death.

WARNING

If the motorhome hitch receiver has an extension, do not tow if the tow bar is more than three inches out of level.

Receiver extensions cause the towing system to swing much higher and lower than towing systems without extensions. This enlarged arc of motion creates excessive strain on the tow bar, brackets and frame, which can cause the towing system to fail, causing property damage, personal injury or even death.



Disconnecting the tow bar

1. Disconnecting the tow bar is essentially the reverse of connecting it. First, always try to park on level ground, with the towed vehicle in line with the motorhome. This will eliminate most of the tension between the vehicles, allowing for an easier disconnect.

2. Disconnect the electrical wiring harness, safety cables, and any other towing system accessories.

3. Lift the release handles on each tow bar arm (Figure 11) to release the locking mechanisms.

(Usually, one of the handles will require more pressure to release. This is the arm that has the majority of the tension between the two vehicles.)

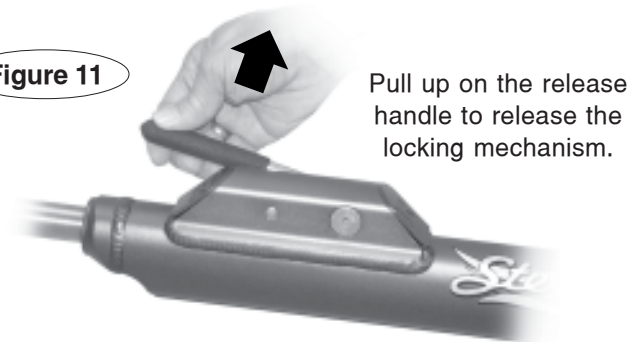
WARNING

Always put the towed vehicle in gear (park), set the emergency brake and chock one of the wheels after lifting the release handles, and before removing the base pins. Failure to do so may result in a 'runaway' vehicle or may crush you between the towed vehicle and the motorhome, causing property damage, personal injury or even death.

4. Put the towed vehicle in gear (park), set the emergency brake, and chock one of the wheels.

12

Figure 11



5. Remove the base pins and store the tow bar on the motorhome by reversing the connection procedure (under "Connecting the tow bar").

ROADMASTER recommends replacing at least one of the lynch pins with a padlock (part number 301, 302 or 308) to prevent accidental release or theft.

WARNING

Failure to follow these instructions may cause property damage, personal injury or even death.

Wiring instructions

The Sterling All Terrain tow bar comes equipped with a fully-wired motorhome-to-towed vehicle electrical cord – simply plug the cord into the sockets on the motorhome and the towed vehicle.

If you should need to rewire the plugs and sockets, follow the instructions below for a four-wire system, or the instructions on pages 14 and 15 for a six-wire system.

Wiring the plug for a four-wire system

1. Insert the end of the electrical cord through one of the cable guides.
2. Wire the plug to match your vehicle, or follow Figure 12. Apply a silicone sealant to the wires where they attach to the plug – this will help prevent damage from moisture and corrosion.

Wiring the sockets for a four-wire system

1. Find a suitable location to install one of the electrical sockets on the front of the towed vehicle, in reach of the existing four-wire harness.
2. Loosen the set screw at the back of the socket, and push the inner connector out the front. Now, run the four-wire electrical cord through the back of the housing.
3. Loosen all of the set screws on the side of the socket, and connect the wires to the back of the socket, as

continued on next page

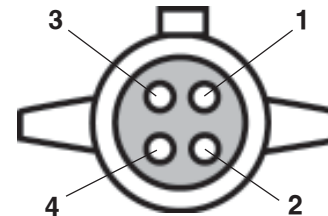


Figure 12

front of
plug on
4-wire
cord

Socket Pin Number	Wire Color	Motorhome	Towed Vehicle
1	Yellow	Left turn / Stop	Left turn / Stop
2	White	Ground	Ground
3	Red	Right turn / Stop	Right turn / Stop
4	Black	Taillight	Taillight

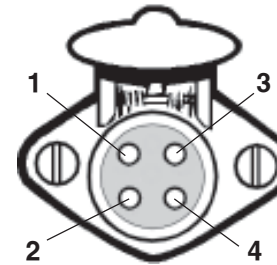


Figure 13

front of
4-wire
socket
on towed
vehicle and
motorhome

Socket Pin Number	Wire Color	Motorhome	Towed Vehicle
1	Yellow	Left turn / Stop	Left turn / Stop
2	White	Ground	Ground
3	Green	Right turn / Stop	Right turn / Stop
4	Brown	Taillight	Taillight

Wiring instructions – four-wire system

continued from preceding page

shown in Figure 13. Or, wire the socket to match the existing wiring on the motorhome.

4. Tighten all the set screws, and check each wire to ensure that it is secure. Apply a clear silicone sealant around each wire entry and set screw indentation – this will help weatherproof the socket and secure the set screws.

5. If the motorhome does not have the correct wiring socket already, you can replace it with the new socket for the four-wire cord, and connect the appropriate wires to the new socket, according to Figure 13.

6. Now, connect the four-wire electrical cord to the motorhome and to the towed vehicle. Test the towed vehicle's turn signals, tail lights and brake lights to ensure they mimic the motorhome's.



WARNING

If the plugs and sockets are not properly wired, the electrical connection will not function, and the towed vehicle's turn signals and brake lights will not mimic those of the motorhome.

Drivers behind the towed vehicle will not be alerted by turn signals or brake lights, which may result in a traffic accident, causing property damage, person-

al injury or even death.

Wiring the plug for a six-wire system

1. Insert the end of the electrical cord through one of the cable guides.

2. Wire the plug to match your vehicle, or follow Figure 14. Apply a silicone sealant to the wires where they attach to the plug. This will help prevent damage from moisture and corrosion.

Wiring the sockets for a six-wire system

1. Find a suitable location to install one of the electrical sockets on the front of the towed vehicle, in reach of the existing six-wire harness.

2. Remove the protective boot on the back of the socket, loosen the set screw, and push the inner connector out the front. Now, run the six-wire electrical cord through the back of the protective boot and the housing.

3. Loosen all of the set screws on the side of the socket, and connect the wires to the back of the socket, as shown in Figure 15. Or, wire the socket to match the existing wiring on the motorhome.

4. Tighten all the set screws, and check each wire to ensure that it is secure. Apply a clear silicone sealant around each wire entry and set screw indentation – this will help weatherproof the socket and secure the set screws. Replace the protective boot.

continued on next page

Wiring instructions – six-wire system

continued from preceding page

5. If your motorhome does not have the correct wiring socket already, you can replace it with the new socket for the six-wire cord, and connect the appropriate wires to the new socket, according to Figure 15.

6. Now, connect the six-wire electrical cord to the motorhome and to the towed vehicle. Test the towed vehicle's turn signals, tail lights and brake lights to ensure they mimic the motorhome's.

WARNING

If the plugs and sockets are not properly wired, the electrical connection will not function, and the towed vehicle's turn signals and brake lights will not mimic those of the motorhome.

Drivers behind the towed vehicle will not be alerted by turn signals or brake lights, which may result in a traffic accident, causing property damage, personal injury or even death.

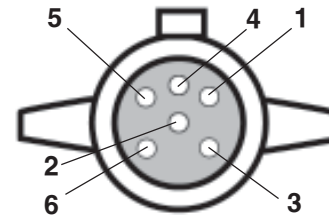


Figure 14

front of
plug on
6-wire
cord

Socket Pin Number	Wire Color	Motorhome	Towed Vehicle
1	Red	Brake light	Brake light
2	Black	Auxiliary	Auxiliary
3	Green	Right turn	Right turn
4	Brown	Taillight	Taillight
5	White	Ground	Ground
6	Yellow	Left turn	Left turn

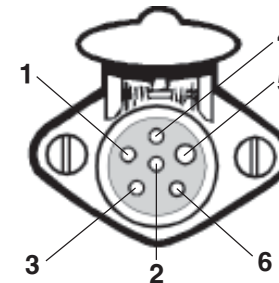


Figure 15

front of
6-wire
socket
on towed
vehicle and
motorhome

Socket Pin Number	Wire Color	Motorhome	Towed Vehicle
1	Red	Brake light	Brake light
2	Black	Auxiliary	Auxiliary
3	Green	Right turn	Right turn
4	Brown	Taillight	Taillight
5	White	Ground	Ground
6	Yellow	Left turn	Left turn

How to use safety cables

Safety cables are an integral part of your towing system. They are a secondary safety device, required by law in many states. This section, and the following section, will acquaint you with how to use them properly.

- The safety cables must connect the towing vehicle to the towed vehicle, frame to frame.
- The safety cables must be rated at 6,000 pounds weight capacity per pair, or higher. This is the maximum weight capacity of the tow bar – the towed vehicle and all its contents cannot exceed 6,000 pounds.
- Pull the safety cables so that all the slack is at the motorhome. **Make sure there is enough slack in the cables at the motorhome to allow for sharp turns** – if there is not enough slack, the towing system will be severely damaged when the motorhome turns a sharp corner.
- The safety cables must be the correct length...
 - Make sure the cables are not too short – if you use a receiver hitch extension or other equipment that extends the distance between the towed vehicle and the motorhome, the standard cables may be too short. If the cables are too short, the towing system will be severely damaged when the motorhome turns a sharp corner.

16

(Twelve-inch safety cable extensions, part number 910648-12, are available from ROADMASTER.)

- Make sure the cables are not too long – the cables should not hang down to the extent they may catch on obstructions, or drag on the ground. This much slack could cause damage to the towing system, the towed vehicle, or the motorhome.

If the cables are too long, wrap the excess cable around the tow bar to take up the slack. **Make sure there is enough slack in the cables at the motorhome to allow for sharp turns.**

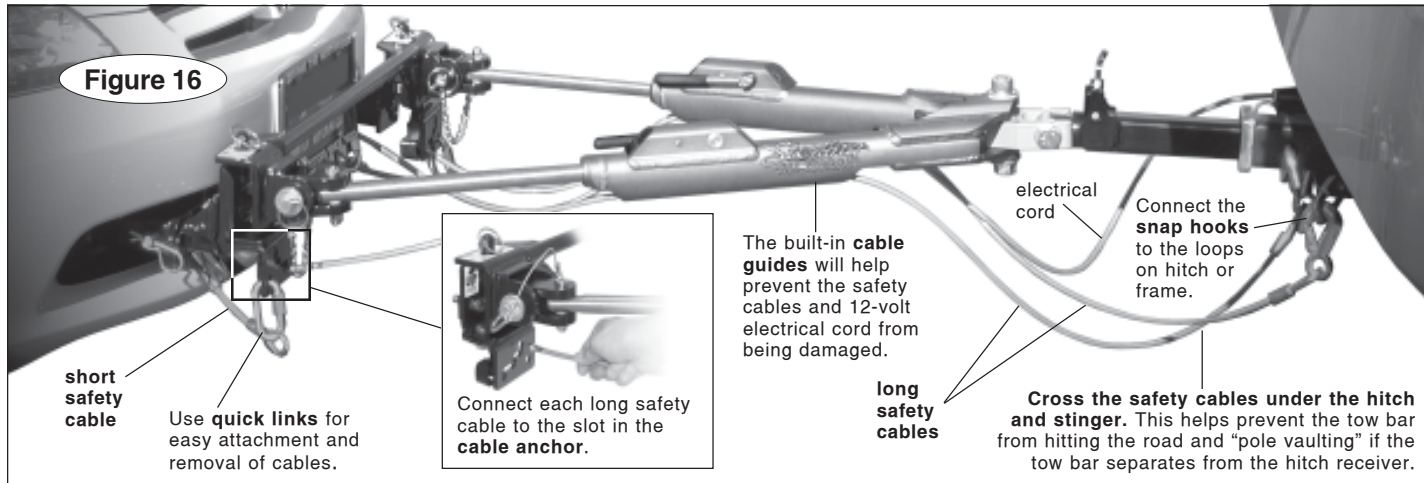
Damage caused by using safety cables of an incorrect length is not covered under warranty.

- Always cross the cables under the hitch receiver, as shown in Figure 16 under “Proper installation of safety cables.” In the unlikely event the tow bar separates from the motorhome, crossing the cables will help prevent the tow bar from dragging on the ground, which can cause the tow bar to “pole vault” the towed vehicle.
- Some ROADMASTER tow bar mounting kits with removable arms use two safety cables on each side. If two sets of safety cables are required, both must be used. This is required by law. Refer to “Proper installation of safety cables” for further information.



WARNING

Failure to follow these instructions may cause property damage, personal injury or even death.



Proper installation of safety cables

Some ROADMASTER tow bar mounting brackets with removable arms, such as the ones in Figures 16 and 17, use both a long safety cable and a short safety cable on each side.

Each **long safety cable** runs from the towing vehicle to a **cable anchor**. Connect each long safety cable to a cable anchor by inserting it through the top of the slot in the cable anchor bracket and dragging it down.

Both ends of the **short safety cables** are connected

by **quick links**. One quick link is attached to the mounting bracket and one is attached to the cable anchor.

Unscrew the nuts on each quick link to connect the safety cable loops. Finger-tighten the nuts firmly, until the loop is completely closed, to secure the attachment.

Do not substitute carabiners or other devices for the quick links – the quick links are rated at 6,000 pounds carrying capacity; carabiners or other devices are not.

Only ROADMASTER bracket kits with removable arms have these short safety cables. Other bracket kits are

continued on next page

Proper installation of safety cables

continued from preceding page

bolted directly to the frame of the towed vehicle and do not require short safety cables.

If your ROADMASTER bracket kit contains short safety cables, refer to the installation instructions for complete information.

WARNING

The safety cables must be carefully routed so that they cannot become pinched, frayed, scraped or otherwise damaged, and so they will not drag when going over dips or low spots.

Do not use the cables if they show any signs of wear or damage – immediately discontinue towing and replace the cables.

Failure to follow these instructions will result in ca-

ble failure, which may cause property damage, personal injury or even death.

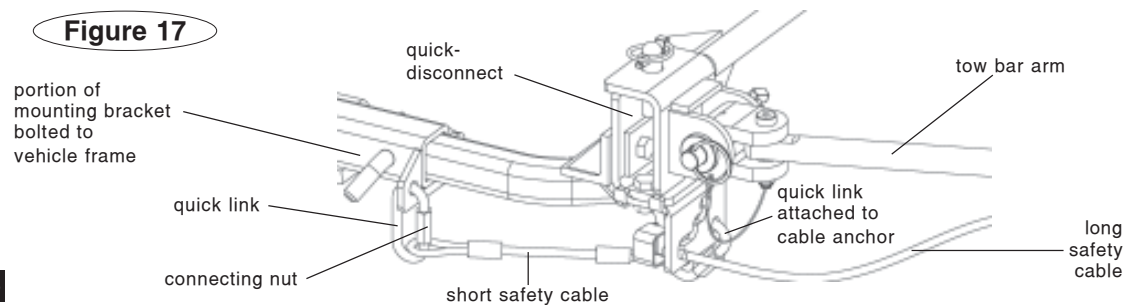
WARNING

If the quick links are not completely tightened, with the loop closed, the safety cables may detach. In the event of a towing system failure, the towed vehicle will detach, which may cause property damage, personal injury or even death.

WARNING

If your towing system requires two sets of safety cables, always use both the long and the short safety cables. Connect them as shown in Figures 16 and 17. Otherwise, in the event of a towing system failure, the towed vehicle will detach, which may cause property damage, personal injury or even death.

Figure 17



Stay within the 'Safe Zone'

Towing with a motorhome-mounted tow bar which has an upward or downward slope puts undue strain on the entire towing system. For that reason, **do not tow if the tow bar is not within the 'Safe Zone' – no more than three inches above level or four inches below level.**

Towing a vehicle with a tow bar that is not within the Safe Zone will result in significant wear and tear on the tow bar and brackets, significant wear and tear on the vehicle's suspension and frame, and the eventual failure of the towing system.

To determine if the tow bar is within the Safe Zone – first, connect the motorhome and towed vehicle on level ground.

Next, measure the distance from the center of the motorhome receiver down to the ground. Then, measure the distance from the center of one of the base pins down to the ground.

Compare these two measurements. To be within the Safe Zone, they cannot be more than three inches apart if the base pin is above the motorhome hitch receiver, or four inches apart if

the base pin is below the motorhome hitch receiver.

If the tow bar is not within the Safe Zone, you must purchase a hitch accessory to raise or lower the hitch receiver. ROADMASTER has three accessories available – Hi-Low Hitches, Hi-Low Drops, and Dual Hitch Receivers – which will raise or lower the hitch receiver from two to 10 inches, depending on the model.

Towing with the tow bar more than three inches above level or four inches below level will void the ROADMASTER warranty.

WARNING

Failure to follow these instructions may cause property damage, personal injury or even death.



Care and cleaning

As is the case with most precision equipment, frequent cleaning and care results in better performance and longevity. Use the following guidelines to keep your tow bar clean and well-lubricated.

Always clean the tow bar before lubricating. Use a water-soluble cleaner such as Voom RV (part number 9911) – it does an exceptional job of breaking down road film, dirt and grease.

With one tow bar arm raised, spray a liberal amount of cleaner at the top of the inner/outer arm assembly (Figure 18). Then flex the tow bar arm up and down to flush dirt and debris out the bottom of the assembly. Repeat, if necessary, until the arm is clean.

Repeat for the other arm.

CAUTION

Do not use petroleum-based products to clean or lubricate the tow bar. Petroleum will attract dirt and dust, which will impede the operation of the sliding arms and/or other components. Certain petroleum products may also corrode non-metallic components.

Damage caused by using a petroleum-based product to clean or lubricate the tow bar is not covered under warranty.

After cleaning the tow bar, wipe any remaining cleaner away.

Now that you have a clean, dry tow bar, use a dry silicone aerosol, such as LubeMaster (part number 747), to lubricate the tow bar – spray a liberal amount of the silicone into all moving parts. LubeMaster sprays on wet, then dries in 30 seconds. After the lubricant has dried, flex the tow bar components, to work the lubricant in.

To lubricate the locking mechanisms, lift and remove the rubber caps (Figure 19) and spray silicone lubricant inside. Move the release handles (Figure 11) up and down to work the lubricant in. Replace the rubber caps.

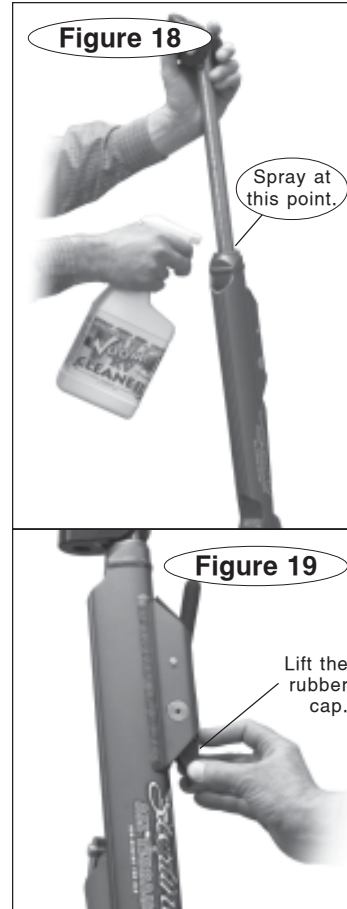
20

CAUTION

Always clean the locking mechanisms, as described above, before lubricating them. Silicone coats and covers in a thin layer. If it is not removed, it will reduce the clearance for the locking mechanisms, preventing proper operation.

Extended storage – before storing your tow bar for an extended period of time, be sure to clean and lubricate it as above. Store the tow bar in its cover, to protect it from the elements.

Note: to remove scratches and restore luster on the stainless steel arms, we suggest that you use extra fine (0000) steel wool, 3M "Scotch Brite" (fine pad) or a similar product.



Limited Warranty

1. WARRANTY

1a. WARRANTY OF CONFORMITY AT TIME OF SALE

ROADMASTER, Inc. warrants that at the time of sale of this product it will be free from defects in material and manufacture and will conform to ROADMASTER'S specifications for the product.

1b. CONDITIONAL ONE-YEAR WARRANTY

In addition to the preceding time-of-sale warranty, if the product registration card is completely and accurately filled out and mailed to ROADMASTER within thirty (30) days of purchase, ROADMASTER will provide an additional warranty that for a period of one year after sale the product will remain in good working order, PROVIDED THAT the product is installed and maintained in accordance with ROADMASTER'S instructions and is not subjected to: (a) alteration or unauthorized repairs or repairs by anyone other than ROADMASTER or a ROADMASTER-authorized service center, (b) misuse, abuse, commercial use, or improper maintenance, (c) Acts of God (including without limitation hurricanes, tornadoes, floods, or other severe weather or natural phenomena), (d) failures due to products not supplied by ROADMASTER, or (e) other treatments, uses, or installations for which the product was not intended. This warranty extends only to the first retail purchaser-consumer of the product and is not transferable.

EXTENDED WARRANTY PERIOD: If ROADMASTER receives the product registration card, completely and accurately filled out, within twenty (20) days of purchase, ROADMASTER will enlarge the one-year warranty period in the preceding paragraph to a period of two years.

2. DISCLAIMER OF OTHER WARRANTIES

The preceding warranties are the exclusive and sole express warranties given by ROADMASTER. They supersede any prior, contrary or additional representations, whether oral or written. No agent, representative, dealer or employee has the authority to alter or increase the obligations or limitations of this warranty. Any implied warranties, including the WARRANTY OF MERCHANTABILITY and any WARRANTY OF FITNESS FOR A PARTICULAR PURPOSE, are limited in duration to thirty days or the term of the applicable express warranty provided above, whichever is longer.

Some states do not allow limitations on how long an implied warranty lasts, so the above limitation may not apply to you.

3. EXCLUSIVE REMEDY FOR ANY NONCONFORMITIES

If during the applicable Warranty Period, the product does not conform to the preceding Warranties, notify ROADMASTER as provided below, and within a reasonable time ROADMASTER will provide, at its option, one of the following: (1) replacement components for any nonconforming or defective product or components or (2) the percentage of the purchase price for the nonconforming product equal to the percentage of the Warranty Period remaining when ROADMASTER is notified of the nonconformity. ROADMASTER will, at its option, (a) use new and/or reconditioned parts in performing warranty repairs and making replacement products, (b) use parts or

products of original or improved design in the repair or replacement. If ROADMASTER repairs or replaces a product, its warranty continues for the remaining portion of the original Warranty Period or 60 days from the date of the return shipment to the customer, whichever is greater. All replaced products and all parts removed from repaired products become the property of ROADMASTER. ROADMASTER will not provide, and will not be liable for, labor, costs of removal or reinstallation of components, disposal, shipping, freight, taxes, or other incidental charges.

THESE REMEDIES ARE THE EXCLUSIVE AND SOLE REMEDIES FOR ANY BREACH OF WARRANTY.

For any breach of warranty, the Owner must telephone ROADMASTER at 1-800-669-9690 within thirty (30) days after discovering the nonconformity. Do not return any product without first calling ROADMASTER and getting a return authorization number. Returned products must include the return authorization number and a copy of the original invoice, bill or other proof of the date of purchase. The date of purchase must coincide with the original warranty registration card on file. ROADMASTER will authorize (a) shipment of the product to ROADMASTER or (b) repair or replacement at the nearest warranty service center—in both cases with shipping at your expense. Do not purchase replacement parts or pay for repair labor—you will not be reimbursed. Compliance with the requirements of this paragraph is a condition to coverage under the Warranty: if these requirements are not complied with, ROADMASTER will have no obligation to provide any remedy for any breach of warranty.

4. DISCLAIMER OF INCIDENTAL AND CONSEQUENTIAL DAMAGES

IN NO EVENT SHALL ROADMASTER BE LIABLE FOR ANY INCIDENTAL, SPECIAL, INDIRECT OR CONSEQUENTIAL DAMAGES, WHETHER RESULTING FROM NONDELIVERY OR FROM THE USE, MISUSE OR INABILITY TO USE THE PRODUCT OR FROM DEFECTS IN THE PRODUCT.

Some states do not allow the exclusion or limitation of incidental or consequential damages, so the above limitation may not apply to you.

5. APPLICABLE LAW

This Warranty will be interpreted, construed, and enforced in all respects in accordance with the laws of the State of Oregon, without reference to its choice of law rules. The U.N. Convention on Contracts for the International Sale of Goods will not apply to this Warranty.

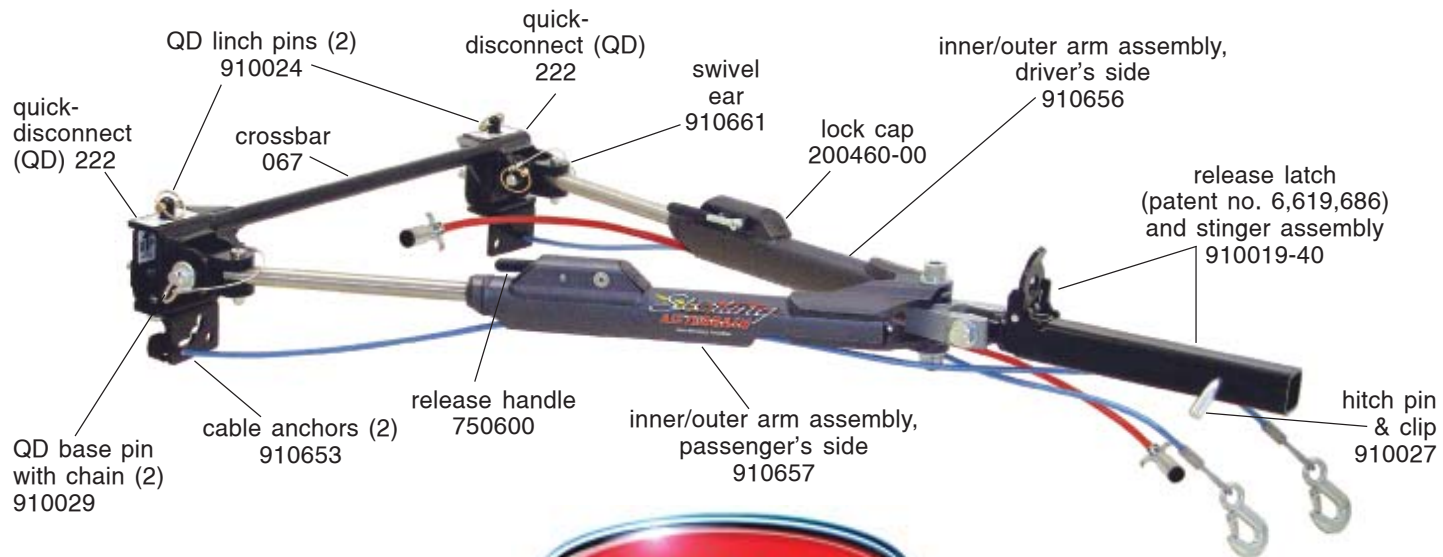
6. SEVERABILITY

If any provision of this warranty is found to be invalid or unenforceable, then the remainder shall have full force and effect, and the invalid provision shall be partially enforced to the maximum extent permitted by law to effectuate the purpose of the agreement.

7. ADDRESS FOR NOTICES TO ROADMASTER

ROADMASTER, Inc., 5602 N.E. Skyport Way, Portland, OR 97218

This warranty gives you specific legal rights, and you may also have other rights which vary from State to State.



Quality Towing Systems since 1974

ROADMASTER, Inc. • 5602 N.E. Skyport Way • Portland, OR 97218 • 800-669-9690 • Fax 503-288-8900 • www.roadmasterinc.com
 © 2007 ROADMASTER, Inc. All Rights Reserved 853326-01 05/2007

Free Manuals Download Website

<http://myh66.com>

<http://usermanuals.us>

<http://www.somanuals.com>

<http://www.4manuals.cc>

<http://www.manual-lib.com>

<http://www.404manual.com>

<http://www.luxmanual.com>

<http://aubethermostatmanual.com>

Golf course search by state

<http://golfingnear.com>

Email search by domain

<http://emailbydomain.com>

Auto manuals search

<http://auto.somanuals.com>

TV manuals search

<http://tv.somanuals.com>