



VRCD220S

**CD/MP3/WMA Player,
AM/FM Stereo Receiver with RDS,
Auxiliary Input and Detachable Face**





Welcome!

Dear Customer,
 CONGRATULATIONS. The VRCD220S CD/MP3/WMA Player, AM/FM Stereo Receiver with RDS, Auxiliary Input, Detachable Face and Speaker Kit when used as described, will give you years of dependable service in your car, truck, RV, or mini-van. We have taken numerous measures in quality control to ensure that your product arrives in top condition and will perform to your satisfaction. In the rare event that your VRCD220S CD/MP3/WMA Player, AM/FM Stereo Receiver with RDS, Auxiliary Input, Detachable Face and Speaker Kit contains a damaged or missing item, does not perform as specified, requires warranty service, or you have an installation problem, **DO NOT RETURN THIS PRODUCT TO THE STORE. PLEASE CALL OUR TOLL FREE NUMBER FROM THE U.S.A. AND CANADA 1-800-445-1797** and ask to speak with a member of our technical service team; or submit your questions by e-mail to customerservice@vr-3.com and a member of our technical service team will respond by e-mail to your questions. Our in-house technical service team will expedite delivery of your part, advise you on installation, or help troubleshoot a problem with you. If your product needs warranty service, our technical service team representative will help you obtain the fastest remedy possible under the warranty.



Contents


Precautions	2
Notes on Installation	3
Before You Install	4
Installation (DIN Front Mount).....	5
Installation (Vehicle's Brackets)	6
Wiring Connections.....	7
Location of Controls.....	8
Basic Operation	9
Radio Operation	10
RDS Operation	10-11
CD Operation	12
AUX IN, RCA Out.....	14
Maintenance.....	14
Simple Troubleshooting Guide	15
Specifications.....	15
Warranty	16





Precautions

This unit will only play the following discs.

Type of disc	Label on the Disc	Recorded Material	Size of Disc
CD		Audio only	12 cm
MP3/WMA	N/A	Audio only	12 cm

- Do not attempt to modify the unit.
- Modifying the unit will void the warranty.
- Stop the vehicle before carrying out any operation that could interfere with your driving.
- Do not operate in extremely high or low temperatures. The temperature inside the vehicle should be between 32° F (0° C) and 100° F (37° C) before turning on your unit.

Care of Discs



- Handle the disc by its edge to keep the disc clean. Do not touch the disc's surface.

- Do not use CDs with labels or stickers attached. The label may leave a sticky residue when it begins to peel.



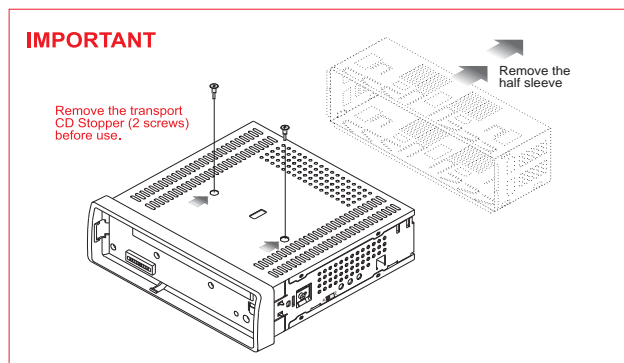
- Do not use a CD with paste or ink residue on it.

- Clean the discs with an optional cleaning cloth. Wipe each disc from the center out.



Notes on Installation

- Disconnect negative battery terminal before starting installation. Consult the vehicle's owner's manual for proper instruction.
- The unit is designed for a 12 Volt DC negative ground operation system only. Before installing the unit, make sure your vehicle is a 12 Volt DC negative ground system.
- Mark the polarity of the existing speaker wires before disconnecting the old unit.
- Be sure to connect the color coded leads according to the diagram. Incorrect connections may cause the unit to malfunction or damage the vehicle's electrical system.
- Make sure all the connections are completely correct before turning on your unit.
- When extending the ignition, memory backup or ground cable, use diameter of 0.75mm (AWG18) or more automotive grade cable to avoid wire deterioration or damage to the wire coating.
- To prevent short circuit, never put or leave any metallic object inside the unit. If you smell or see smoke, turn off the power immediately and consult your dealer.
- Insert the unit until it is firmly locked into mounting sleeve, otherwise it may fall out.
- Be careful not to drop or shock the unit, it may break or crack because it contains glass parts.
- The unit is only designed for use with 4 speakers. Do not combine output for use with 2 speakers. Do not ground negative speaker leads to the chassis ground.
- Do not open the top or bottom cover and do not install the unit in a place where it is exposed to direct sunlight (including faceplate), high heat, humidity, moisture, or dust.
- The faceplate is a precision piece of equipment that contains sensitive electronic components. Do not subject it to excessive shock.
- When replacing the fuse(s), the replacement must be of the same amperage as shown on the fuse holder.
- Do not block vents or heater panels. Blocking them will cause heat to build up inside and may result in fire.
- After completing the installation and before operating the unit, reconnect the battery. Then press the (RES) button with a pointed object, such as a ball-point pen to set the unit to its initial status.
- Do not touch the terminals of the faceplate or of the unit.
- If you have difficulty installing this unit in your vehicle. Please contact your dealer.



3





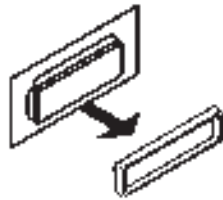
Before You Install

Automotive audio equipment installations can be challenging at times, even to the most experienced of installation technicians. If you are not confident working with electrical wiring, removing and reinstalling interior panels, carpeting, dashboards or other components of your vehicle, please call our toll-free help line 1-800-445-1797 and our in-house technical service team will answer your installation questions. Contact the vehicle's manufacturer for vehicle specific instructions, or consider having the VRCD220S professionally installed.

IMPORTANT: Remove the two transport screws from the top of the unit before installing.

1. Remove the Old Unit from the Dashboard

A. Remove the outer trim frame.



DIN Front Mount

B. Insert the keys supplied with the old unit into both sides of the unit as shown in figure below until they click. Pull to remove the old unit from the dashboard.



DO NOT DISCONNECT WIRES AT THIS TIME!

2. Mark Polarity of the Speaker Wires

Marking the polarity of the speaker wires will make it easier to connect the existing speakers to the VRCD220S. Consult wiring diagram of existing head unit before disconnecting any wires. If a wiring diagram is not available contact the manufacturer.

1. While the old unit is playing, disconnect the wires from one speaker.
2. Take a length of masking tape and fold it around the wire so it forms a flag.
3. On the masking tape mark the polarity of the speaker wires (+ & -), as

well as left or right, and front or rear.

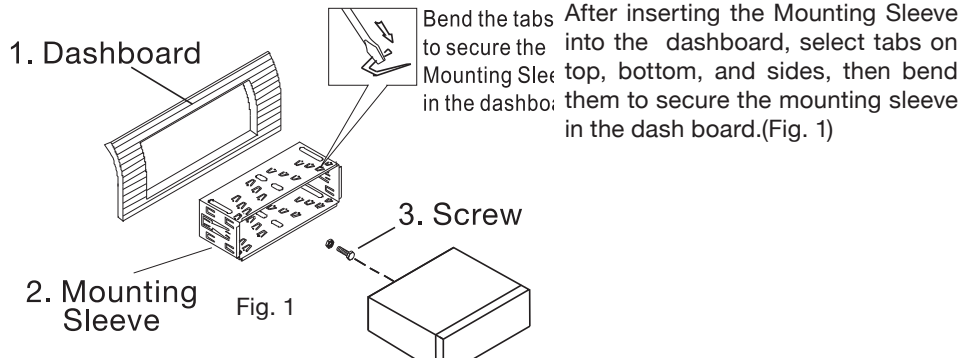
4. Double check that you marked the first speaker correctly by checking that the speaker wires are the same at the head unit.
5. Repeat this procedure for all of the speakers.
6. Mark the power, ground, and any other wires also.



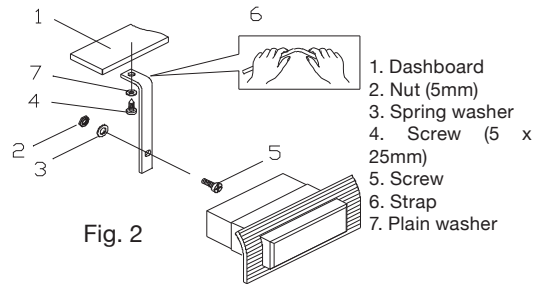


Installation

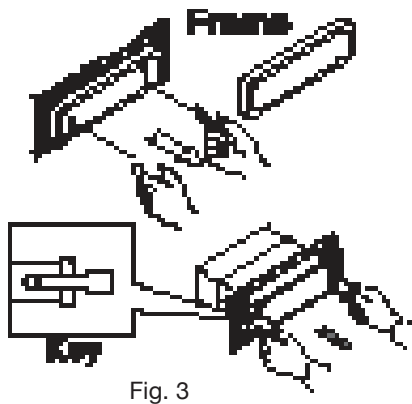
DIN FRONT-MOUNT (Method A)



Follow the diagram in Fig. 2 for installing the rear mounting strap to the head unit. The rear mounting strap will help keep the head unit from moving around inside the dashboard.



Insert fingers into the groove in the front of frame to remove it.



Insert the keys supplied with the unit in the grooves on both sides. The unit can be installed or removed from the dashboard using these keys.(Fig. 3)

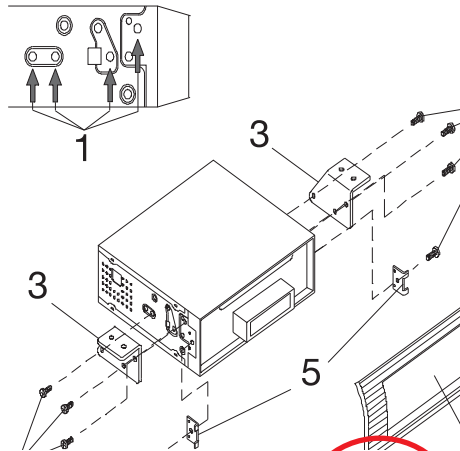




Installation

DIN REAR-MOUNT (Method B)

Installation using the screw holes on both sides of the unit.



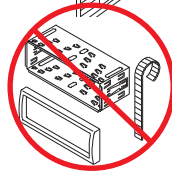
1. Screw holes on the side of the unit.

2. Screws. Use either truss screws (5 x 8mm) or flush surface screws (4 x 8mm), depending on the shape of the screw holes in the bracket.

3. Vehicle's Factory Mounting Bracket

4. Dashboard or Console

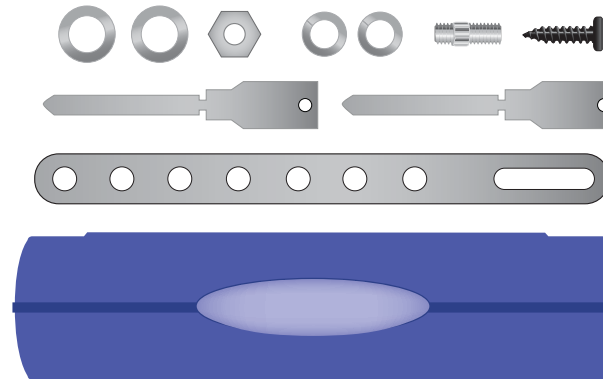
5 Hook (Remove this part)



Note: The mounting sleeve, outer trim ring, and the mounting strap are not used for this method of installation.

PARTS

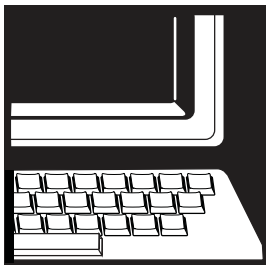
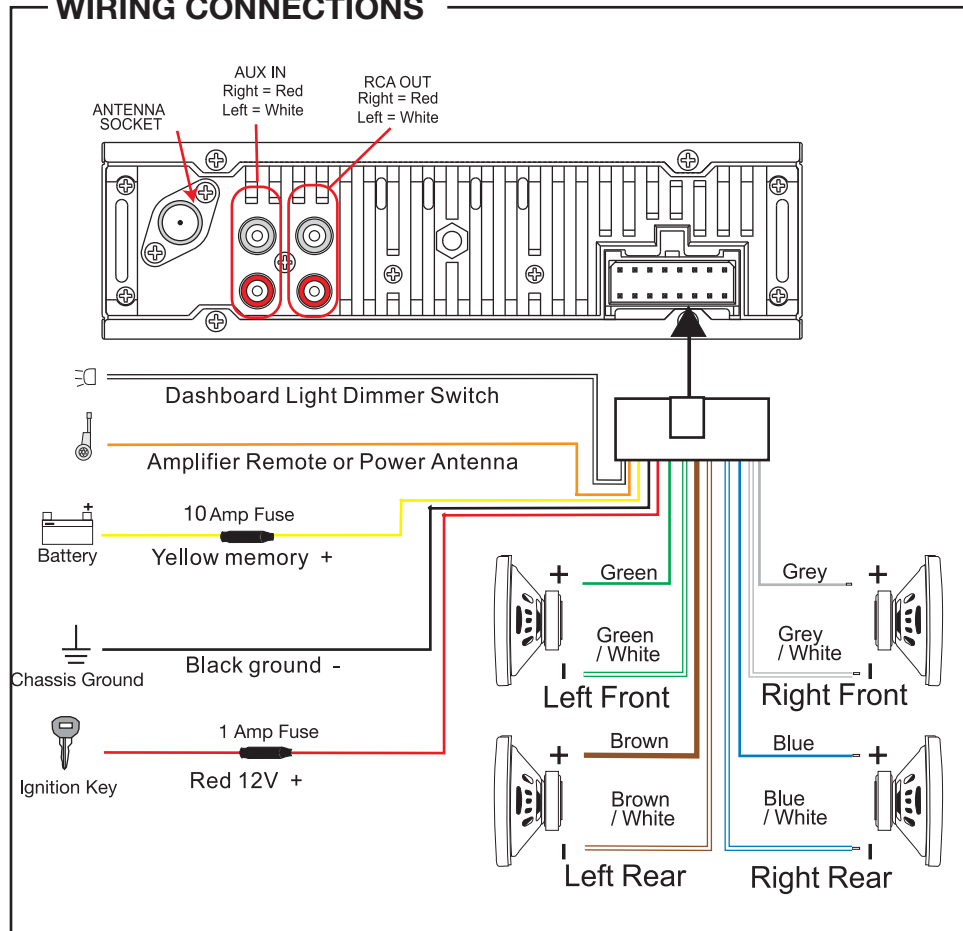
- 2 Keys
- 1 Hex Nut
- 2 Lock Washers
- 1 Sheet Metal Screw
- 1 Metal Support Strap
- 2 Flat Washers
- 1 Mounting Bolt
- 1 Faceplate Case
- 1 Faceplate(not shown)





Installation

WIRING CONNECTIONS



GIVE US A CALL, WE'LL HELP YOU INSTALL.

PLEASE DO NOT RETURN PRODUCT TO STORE.
Visit us on the WEB

www.vr-3.com

For Information and Technical Assistance,
Call Toll-Free in U.S.A. and Canada.

1-800-445-1797

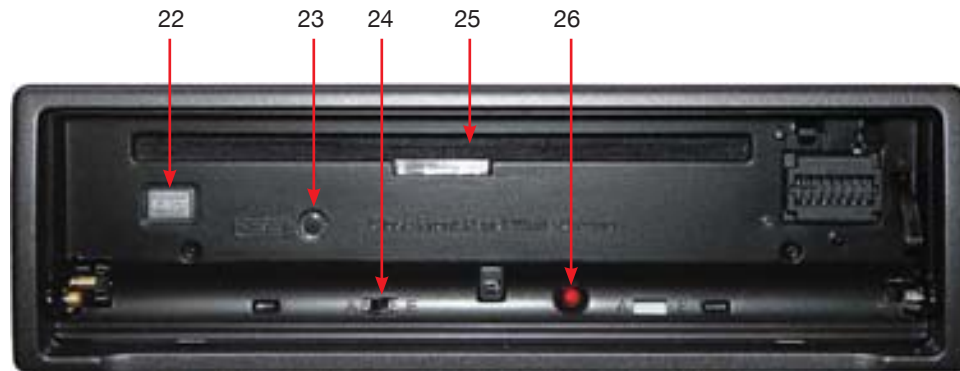




Location of the Controls



- | | |
|---|----------------------------|
| 1. Clock Button | 14. Pre-set #5/Down 10 |
| 2. Mode Button | 15. Pre-set #4/Random |
| 3. Volume Up Button | 16. Pre-set #3/Repeat |
| 4. SEL Button | 17. Pre-set #2/Intro |
| 5. PTY Button | 18. Pre-set #1/Pause/Play |
| 6. LCD for Track Number, Time, Radio Frequency, File Type, ID3, RDS, EQ | 19. TA Button |
| 7. Open Faceplate Button | 20. Volume Down Button |
| 8. Next Track/Change Frequency/Fast Forward | 21. AF Button |
| 9. Previous Track/Change Frequency/Fast Reverse | 22. Eject button |
| 10. Band Button | 23. Reset button |
| 11. F/PS Button | 24. Americas/Europe Switch |
| 12. Power Button | 25. Disc Slot |
| 13. Pre-set #6/Up 10 | 26. Red LED |



To Remove the Faceplate

1. Press the Open Button to open the faceplate.
2. Tilt the faceplate down about half way and push the faceplate to the left, then pull the it towards you to remove it.





Basic Operation

1. Turning the Unit On / Off

Press any button to turn the unit on, WELCOME will be displayed on the LCD to indicate it is ready for use. Press and hold the POWER button to turn the unit off.

2. Mode Selection

Press the MODE Button to cycle between AUX, RADIO and CD modes.

3. Volume

Use the VOL +/- Buttons to adjust the volume level. The higher the VOL number, the higher the volume level.

4. Bass

Press the "SEL" Button until the display shows "BAS". Use the VOL +/- Buttons to adjust. When DSP is ON, the Bass control is not available.

5. Treble

Press "SEL" Button until the display shows "TRE". Use the VOL +/- Buttons to adjust. When DSP is ON, the treble control is not available.

6. Balance

Press "SEL" Button until the display shows "BAL", then use the VOL +/- Button to adjust the balance between the left & right speakers.

7. Fader

Press "SEL" Button five times and the display shows "FAD", then use the VOL +/- Button to adjust the balance between the front & rear speakers.

8. Clock

1. While listening to the radio, press the "CLK" button until the clock is displayed
2. Press and hold the "CLK" button until the time starts to flash
3. Press the VOL + Button to adjust the hour
4. Press the VOL - button to adjust the minutes
5. Press the "CLK" button again or just leave the the unit idle for a few new settings to take effect.

9. DSP-Preset Equalizer Function

1. Press and hold the "SEL" button until you hear a beep.
2. Press the "SEL" button to cycle through the menu choices until you see DSP OFF.
3. Press the +/- buttons to cycle through the pre-set EQ settings.



4. Leave the unit idle for the new setting to take effect.

10. Loudness

1. Press and hold the "SEL" Button until you hear a beep.
2. Press the "SEL" Button until the display shows "LOUD OFF".
3. Use the +/- Buttons to select "LOUD ON" (Loudness effect ON) or "LOUD OFF" (Loudness effect OFF).
4. Leave the unit idle for the new setting to take effect

11. Preset Beep Sound Off

1. Press and hold the "SEL" Button until you hear a beep.
2. Press the "SEL" Button until the display shows "BEEP ON".
3. Use the +/- Buttons to select "BEEP ON" (beep sound on) or "BEEP OFF" (beep sound off).
4. Leave the unit idle for the new setting to take effect.

12. Preset Volume Level

You can set the default volume level for the unit when it is turned ON.

1. Press and hold the "SEL" Button until you hear a beep.
2. Press the "SEL" Button until the display shows "VOL LAST".
3. Press the +/- Buttons to enter "VOL ADJ" will be displayed.
4. Press the "SEL" Button and "A- VOL 15" will be displayed. The number after A-VOL indicates the volume level the unit will default to the next time you turn the unit ON.



Radio Operation

5. Press the +/- Buttons to adjust the volume level.
6. Leave the unit idle for the new setting to take effect. The next time you turn the unit ON, the volume will automatically be adjusted to the sound level you set here.

Radio Frequency Selection

The default frequency setting is in your country mode. However if you want to change the frequency to Europe or USA, please follow the step below:

1. Press the Open Button to open the faceplate.
2. Tilt the faceplate down about half way and push the faceplate to the left.
3. Pull the faceplate towards you to remove it.
4. Below the faceplate you will see a switch with the letter "A" on the right side and the letter "E" on the left side.
5. For use in the Americas slide the switch to the left or for use in Europe slide the switch to the right.

1. Choose a Radio Band

The unit comes with five bands for storing your favorite radio - three FM Bands (FM1, FM2, and FM3) and two AM Bands (AM1, and AM2) selects. Each of the five bands can store up to six preset stations, for a total of 30 preset memory stations. 18 FM Pre-sets and 12 AM Pre-sets.

2. Manual Tune / Seek Function

Manual Tune: Press the "|>>" Button to adjust the radio to a higher frequency or press the "<<|" Button to adjust the radio to a lower frequency.

Seek Function : Press and hold the >>| Button for about 2 seconds, and the radio will search forward for the next strongest frequency, then stop.

3. Press and hold the "<<|" Button for about 2 seconds, and the radio will search backward for the next strongest frequency, then stop.

3. Save Your Preset Stations

There are six numbered preset buttons which can store and recall stations for each band. While listening to a radio station you would like to save as a pre-set, press and hold one of the buttons numbered 1-6 until you hear a beep. The button you pressed is now the pre-set button for that station.

4. Automatic Store/Preset Scan

A. Automatic Scan & Store

While listening to the Radio, press and hold the F/PS Button. The receiver will automatically scan all of the frequencies of the band you are tuned to.

After scanning the frequencies it will automatically store the strongest signals to the pre-set buttons.

If there are any stations already saved to the pre-set buttons, they will be replaced by the Automatic Scan & Store function.

B. Scan Saved Stations

Press the F/PS button once to perform the scanning functions. In FM mode, press the F/PS button and the stations in all 3 FM bands will be scanned; press this button in AM mode and scan all 2 AM Band Stations.

RDS Operation

Enhanced Other Networks (EON)

This unit is equipped with the latest technology of EON control. EON control allows the receiver to monitor other stations for traffic announcements while you are listening to the Radio or a CD. If there are any travel announcements on a nearby local station, then the receiver will tune to the station, turn up the volume, or interrupt the playback of the CD for the duration of the announcement. At the end of the announcement the radio will return to its previous state ready for the next announcement.

AF - Alternative Frequencies

Press the AF button and the unit will choose the strongest FM signal for the selected





RDS Operation

station. This means you do not have to re-tune the radio when driving between different transmitter coverage areas. When AF is on, it means RDS information is received; when AF is flashing, it means RDS information is not yet received.

TA - Travel Announcements

Press the TA button and the unit will be activated for reception of traffic announcements from local radio stations.

To choose the TA mode, press the "SEL" Button for 2 seconds, the display will show "TA SEEK". Press the "+/-" Buttons to choose between "TA SEEK" and "TA ALARM", after choosing, please leave the unit idle for the new mode setting to take effect. In "TA SEEK" mode, the unit will seek for traffic announcement program when "TA" is pressed; in "TA ALARM" mode, no "TA/TP" is displayed and the alarm is turned off.

TP - Traffic Program

The "TP" Function is used to allow the user to find only those stations that regularly broadcast traffic bulletins.

PTY - Program Type

This "PTY" function allow you to select the type of program you wish to listen to, and will search for a station broadcasting that type of program. Press the "PTY" button once to show the music type. Then press the 1-6 buttons to choose the different music types available.

Press the "PTY" button twice to show Talk Show programming you can search for, then press a number button 1-6 to choose a different Talk Show type program. Each number button can display 3 Talk Show programs for you to choose.

There are up to 31 pre-defined program types that allows users to find programming by genre.

MASK DPI - MASK ALL

Press the "SEL" Button for 2 seconds, the display will show "TA SEEK". Press the

sound select button again so that the unit will show "MASK DPI".

Press the "+/-" Buttons to toggle between "MASK DPI" and "MASK ALL" mode. Then leave the unit idle for the new setting to take effect.

During "MASK DPI" mode, the unit will mask only the "AF" which has different "PI", this is the default mode; during "MASK ALL" mode, the unit will mask the AF which has different PI and no RDS signal with high field strength.

RETUNE S/L - SHORT/LONG

This function is to set the initial duration of automatic TA Search -- Press and hold the "SEL" button until "TA SEEK" is shown on the LCD, then Press the "+/-" Buttons to cycle through the menu selections until "RETUNE_S" is shown, use the VOL +/- button to choose "RETUNE_S" or "RETUNE_L". The default is "RETUNE_S".



CD Operation

Electronic Skip Protection - 12 or 45 seconds

Electronic Skip Protection is ideal for driving on rough roads. Press the "SEL" Button until the display will show "TA SEEK". Then press the "SEL" Button to cycle through the menu until "ESP12" is displayed indicating that 12 seconds Electronic Skip Protection will be activated.

With "ESP 12" on the display, use the VOL "+/-" Buttons to change the setting to "ESP 45", indicating that 45 seconds Electronic Skip Protection is activated. Leave the unit idle for the new setting to take effect.

1. Insert/Eject CD

Insert a disc with MP3 into the CD slot with label side up. The disc will be automatically loaded into the unit, even when it is off or in radio mode. The word "MP3 DISC" will be displayed

as the CD is loaded. The first file in the root folder will be played. As the file is playing "ROOT" will be displayed first, then the if there is any ID3 information that will be displayed as the file is playing. Press the EJECT Button to eject the disc from the slot. If the disc is not removed from the slot within 5 seconds, it will automatically be loaded into the slot again. When the disc is ejected and removed, the unit will automatically switch to radio mode.

2. Selecting Tracks

On the Head Unit, press the SEEK >>| Button to advance CD to the next track. Track numbers will be shown on the display. Press and hold SEEK >>| to fast forward. Press the SEEK |<< Button to go to a previous track. Track numbers will be shown on the display. Press and hold the SEEK |<< Button to fast reverse. Disc will play normally when the SEEK >>| or SEEK |<< Button is released. On the Remote Control, use the |<< or >>| Buttons.

3. Play/ Pause CD

Press the No.1 Button to pause the CD.

Press this button again to resume playback.

4. Scanning Tracks

Press the No.2/INT Button to play the first 10 seconds of each track. Press this button again to resume playback.

5. Repeat

Press the No.3/RPT Button to repeat the same track continuously. "RPT ON" will appear on the display. Press this button again to stop repeating.

6. Random

Press the No.4/RDM Button to play all the tracks in random order. "RDM ON" will appear on the display. Press this button again to stop random play.





MP3 & WMA Disc Operation

MP3 & WMA Disc Operation

Electronic Skip Protection-120 Seconds

Electronic Skip Protection is ideal for driving on rough roads. Electronic Skip Protection for MP3 & WMA CDs is a default feature. Please note that this feature supports CDs with Songs encoded by 96Kb/s and 32000Hz.

For songs encoded in higher quality, the anti-shock duration will decrease proportionally to the file size.

1. Insert/Eject CD

Insert a disc with MP3 into the CD slot with label side up. The disc will be automatically loaded into the unit, even when it is off or in radio mode. The word "MP3 DISC" will be displayed

as the CD is loaded. The first file in the root folder will be played. As the file is playing "ROOT" will be displayed first, then the if there is any ID3 information that will be displayed as the file is playing. Press the "EJECT" Button to eject the disc from the slot. If the disc is not removed from the slot within 5 seconds, it will automatically be loaded into the slot again. When the disc is ejected and removed, the unit will automatically switch to radio mode.

2. Selecting Tracks

On the Head Unit, press the ">>|" Button to advance CD to the next track. Track numbers will be shown on the display. Press and hold the ">>|" Button to fast forward. The disc will play normally when the ">>|" Button is released. Press the "|<<" Button to go to a previous track. The track numbers will be shown on the display. Press and hold the "|<<" Button to fast reverse. Disc will play normally when the "|<<" Button is released. On the Remote Control the "|<<" or ">>|" Buttons operate the same as on the Head Unit.

4. Play/ Pause CD

On the Head Unit, press the No.1 Button to pause the CD. Press this button again to resume playback.

5. Scanning Tracks

On the Head Unit, press the No.2/INT Button to play the first 10 seconds of each track. Press this button again to resume playback.

6. Repeat

On the Head Unit, press the No.3/RPT Button to repeat the same track continuously. "RPT ON" will appear on the display. Press this button again to stop repeating.

7. Random

On the Head Unit, press the No.4/RDM Button to play all the tracks in random order. "RDM ON" will appear on the display. Press this button again to stop random play.

8. UP 10

Press the No.6/UP10 Button to advance 10 track at a time.

9. DN 10

Press the No.5/DN10 Button to go back 10 track at a time.

Search Modes

There are 4 search modes to help find your favorite MP3 tracks. The search modes only works with MP3 CDs, and do not work with any other type of CDs.

1. Simple Track Search

Press the SEEK |<< or >>| Button to go to the next track or previous track. Press the Number 5 button to go back 10 tracks at once or press the Number 6 button to advance 10 tracks at once.

2. Track Search

Press the F/PS Button and the display will show "TRK SCH". Press the SEL Button so





MP3 & WMA Disc Operation

that "TRK" will blink on the display. Then use the VOL +/- Button to choose your desired track and press the SEL Button again to confirm the selection. The selected track will be searched for and then played.

3. File Search

Press the F/PS Button twice and the display will show "FILE SCH". Press the SEL Button to enter the root folder of the disc. Use the VOL +/- Button to choose a folder in the root folder, then press the SEL Button to confirm. The selected folder will be opened.

4. Character Search

Press the F/PS Button three times and the display will show "CHAR SCH". This is for files by file names. Press the SEL Button and the first character will blink on the display. Use the VOL +/- Button to change the character. Press the SEL button once to confirm the character entered and advance to the next character. After you have input the name, press and hold the SEL Button to confirm. The song nearest alphabetically to the name input will be found and then begin to play.

AUX IN cable. Use the volume control to adjust volume.

2. RCA Output

The RCA Output Jack is on the back of the unit. (Refer to Wiring Diagram) This output is for connecting amplifier, equalizer, or other audio component that requires a pre-amp out connection. (Red = Right, White = Left)

Follow the manufacturers instructions for the audio component that you are connecting.

Maintenance

Cleaning the Unit

Do not use any liquids to clean this unit. Do not use petroleum distillates to clean this unit. Use a clean, dry cloth to clean this unit.

Replacing the Fuse

Make sure the amperage matches the specified value when replacing the fuse(s). If the fuse is bad, check the power connection and replace the fuse with a new one. If the same problem occurs, this might indicate a malfunction within the unit.

Warning

When replacing a fuse, do not use a fuse with a higher amperage rating than the fuse originally supplied to your unit, otherwise damage will result to your unit.

AUX IN & RCA Output

1. Auxiliary Input

The Auxiliary Input RCA Jacks are on the rear of the unit. To use the AUX IN feature you must use a RCA to 3.5mm cable. Insert the cable's RCA plugs into the Red & White AUX IN jacks on the rear of the unit. Route the end of the cable with the 3.5mm jack to an area that is safe and convenient to the headphone jack of any external audio device such as walkman and discman. Press the "Mode" button to choose AUX. Connect any portable audio device such as a DVD player or VCD player to the





Simple Troubleshooting Guide

PROBLEM	CAUSE/SOLUTION
No Power	Check wiring connections. Check and make sure the fuse is not blown. Replace with the proper rating/size fuse.
Some errors occur in the LCD or nothing functions when buttons are pressed.	Press the RESET Button.
Unable to receive stations	Check and make sure the antenna is connected properly.
Poor radio reception	Check and make sure the antenna is the correct length. Make sure the antenna is not broken. If the antenna is broken, replace it. The antenna is poorly grounded. Check and make sure the antenna is grounded at mounting location.
CD's cannot be loaded	A CD is already loaded in the player. Eject CD.
Songs keep skipping	The CD is dirty or damaged.
File information shows in LCD but will not play.	Your file may be corrupt.

Specifications

GENERAL

Operating Power 11 to 16 Volts DC, Negative Ground
 Total Maximum Power 140 Watts
 RMS Power 4x7 Watts at 4 Ohms \leq 1% THD+N
 Output Wiring Designed for using four speakers only
 RCA line out low-level outputs - 1000MV
 Output Impedance Compatible 4 to 8 Ohm Speakers
 Fuses 1 amp and 10 amp
 Dimensions 178mm(W) x 178mm(D) x 51mm (H)
 Weight 2.3 Kg

CD PLAYER

Signal / Noise Ratio >60dB
 Frequency Response 20 Hz~20KHz
 Channel Separation >50dB
 D / A Converter 1 Bit

FM TUNER

Tuning Range (USA) - 87.5 - 107.9MHz, (Europe) - 87.5 - 108 MHz
 FM Sensitivity 12dBu
 Stereo Separation @ 1 KHz 35dB

AM TUNER

Tuning Range (USA) -- 530-1710 KHz, (Europe) -- 522-1620 KHz
 Am Sensitivity 30dBu





Limited Warranty

VIRTUAL REALITY SOUND LABS® products are designed and manufactured to provide a high level of trouble-free performance. VIRTUAL REALITY SOUND LABS warrants, to the original purchaser, that its products are free from defects in material and workmanship for 30 days from the date of original purchase, as part of our commitment to product excellence. VIRTUAL REALITY SOUND LABS and/or its affiliates routinely improves the designs, materials or production methods of its existing products. Because it is impractical to publicize all changes in every product, we reserve the right to make such changes without notice.

CONDITIONS OF WARRANTY:

If during the 30 day warranty period your new product is found to be defective, VIRTUAL REALITY SOUND LABS will repair such defect, or replace the product, without charge for parts or labor subject to the following conditions:

1. All repairs must be performed by VIRTUAL REALITY SOUND LABS and/or its affiliates in Eatontown, New Jersey.
2. The equipment must not have been altered or been damaged through negligence, accident, or improper operation.
3. The replacement of parts are exempted from this warranty when replacement is necessary due to normal wear and tear.
4. All warranty claims must be accompanied by a copy of the sales receipt or bill of sale.
5. Repair or replacement parts supplied by VIRTUAL REALITY SOUND LABS under this warranty are protected only for the unexpired portion of the original warranty.
6. In the case of car stereos, this warranty does not extend to the elimination of car static or motor noise; correction of antenna problems; costs incurred for the removal or reinstallation of the product; damage to tapes, speakers, accessories or car electrical systems.
7. VIRTUAL REALITY SOUND LABS will not be responsible for any charge incurred for installation.

OWNER'S RESPONSIBILITIES:

VIRTUAL REALITY SOUND LABS will make every effort to provide warranty service within a reasonable period of time. SHOULD YOU HAVE ANY QUESTIONS ABOUT SERVICE RECEIVED, OR IF YOU WOULD LIKE ASSISTANCE IN OBTAINING SERVICE, PLEASE CALL TOLL FREE 1-800-445-1797, 8:30am - 4:30pm EST.

In order to provide you with the proper warranty service, we request that you adhere to the following procedure:

1. Include a copy of your sales receipt or bill of sale with your unit when it is returned for warranty service.
2. If it is necessary to return your product for service, please return it securely packed, preferably in the original shipping carton, and freight and insurance prepaid to the following address: VIRTUAL REALITY SOUND LABS, Service Department, 41 James Way, Eatontown, New Jersey 07724.
3. Please include a detailed explanation of the problem you are having.
4. If your product is found by VIRTUAL REALITY SOUND LABS to have a defect in material or workmanship, within the warranty period, it will be repaired or replaced at no charge and returned to you prepaid. Where permitted by law VIRTUAL REALITY SOUND LABS liability shall be limited to that set forth in this warranty. This warranty shall be the exclusive remedy of the purchaser.

VIRTUAL REALITY SOUND LABS® makes no other warranty of any kind, expressed or implied; and all implied warranties, are hereby disclaimed by VIRTUAL REALITY SOUND LABS and excluded from this warranty, VIRTUAL REALITY SOUND LABS and/or its affiliates, the manufacturer, distributor and seller shall not be liable for any injury, loss or damage, incidental or consequential, arising out of the use or intended use of the product.





©2008 Intellectual Solutions Inc., All rights reserved. All designs, logos and images are the exclusive property of Intellectual Solutions Inc. and/or its affiliates. US and Foreign patents pending. 072208 Printed in China 00000



Free Manuals Download Website

<http://myh66.com>

<http://usermanuals.us>

<http://www.somanuals.com>

<http://www.4manuals.cc>

<http://www.manual-lib.com>

<http://www.404manual.com>

<http://www.luxmanual.com>

<http://aubethermostatmanual.com>

Golf course search by state

<http://golfingnear.com>

Email search by domain

<http://emailbydomain.com>

Auto manuals search

<http://auto.somanuals.com>

TV manuals search

<http://tv.somanuals.com>