

STOP LIGHT SWITCH BRACKET INSTALLATION INSTRUCTIONS #751428

#85-3905-01 07-10

ALL SPECIFICATIONS ARE SUBJECT TO CHANGE WITHOUT NOTICE

ROADMASTER, Inc. 6110 NE 127th Ave. Vancouver, WA 98682 1-800-669-9690 fax 360-735-9300 www.roadmasterinc.com

1. Start by attaching the stop light switch to the bracket – follow the separate instructions included with this kit.
2. Locate the existing stud under the steering column (Fig.A).
3. Place the stop light switch bracket over the existing stud and bolt into place using the supplied 8mm x 1.25 nut, 8mm flat washer and 8mm lock washer (Fig.B).
4. Now, adjust and wire the stop light switch – follow the separate instructions included with this kit.

Parts List

- (1) 8mm x 1.25 nut
- (1) 8mm flat washer
- (1) 8mm lock washer

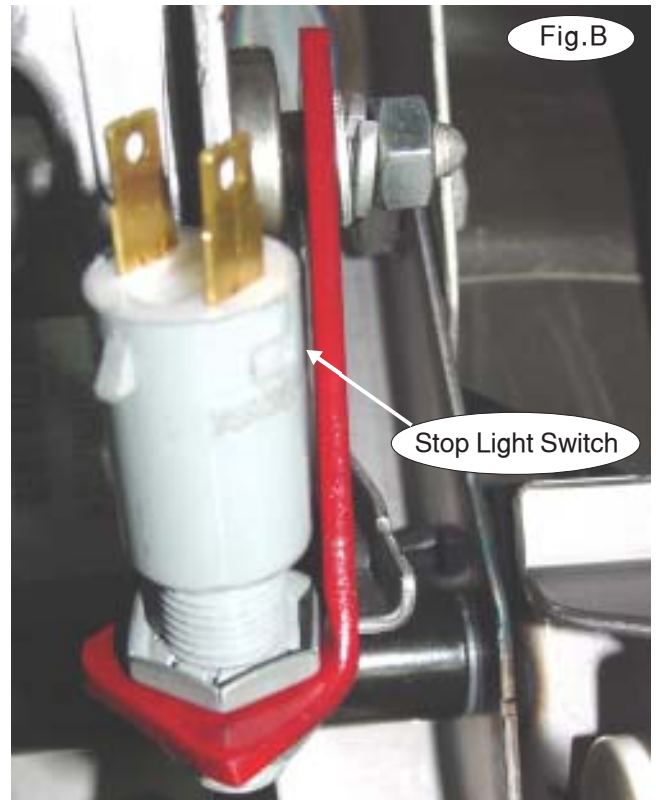
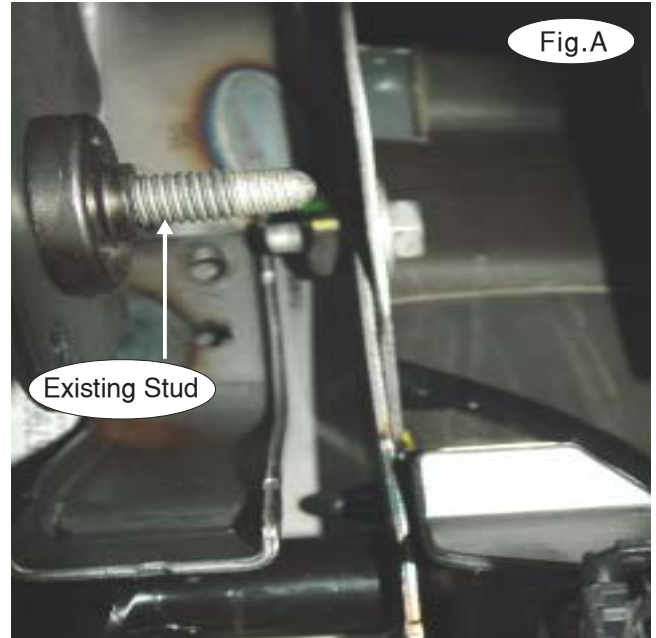
WARNING

When the installation is complete, verify that the brake pedal retracts fully.

Unless they are installed correctly, the bracket and/or other kit components may restrict or impede the movement of the brake pedal – the brake pedal will not retract fully.

If the brake pedal does not retract fully, the brakes will be applied continuously, which may cause severe tire and/or brake system damage, as well as other consequential, non-warranty damage.

Failure to follow these instructions may cause property damage, personal injury or even death.



WARNING

Failure to follow these instructions can result in property damage, personal injury or even death.

Stop Light Switch Installation Instructions

All specifications are subject to change without notice.

ROADMASTER, Inc. • 6110 N.E. 127th Ave. • Vancouver, WA 98682 • 800-669-9690 • Fax 360-735-9300 • roadmasterinc.com

Install this kit if the brake lights do not function when the ignition is turned to the "tow" position, or if the vehicle is equipped with a "retained accessory power" feature.

There are two installation methods – the stop light switch can be wired to: 1) the vehicle's battery; or 2) to the fuse box. See the directions below.

First wiring method – Wire the switch to the battery...

1. Thread the first adjusting nut (Figure A) through the threaded portion of the stop light switch, with the open side of the nut facing the terminals on the stop light switch.
2. Slide the threaded side of the stop light switch through the bracket.
3. Thread the second adjusting nut through the threaded portion of the stop light switch, with the open side of the nut facing the white plunger on the stop light switch. (Do not fully tighten the nut until the switch is installed.)
4. With the stop light switch in position, attach the bracket – refer to the vehicle-specific mounting instructions that are included with this kit.
5. With the brake arm (Figure A) fully retracted, turn the adjusting nuts until the white plunger at the end of the stop light switch is completely depressed.

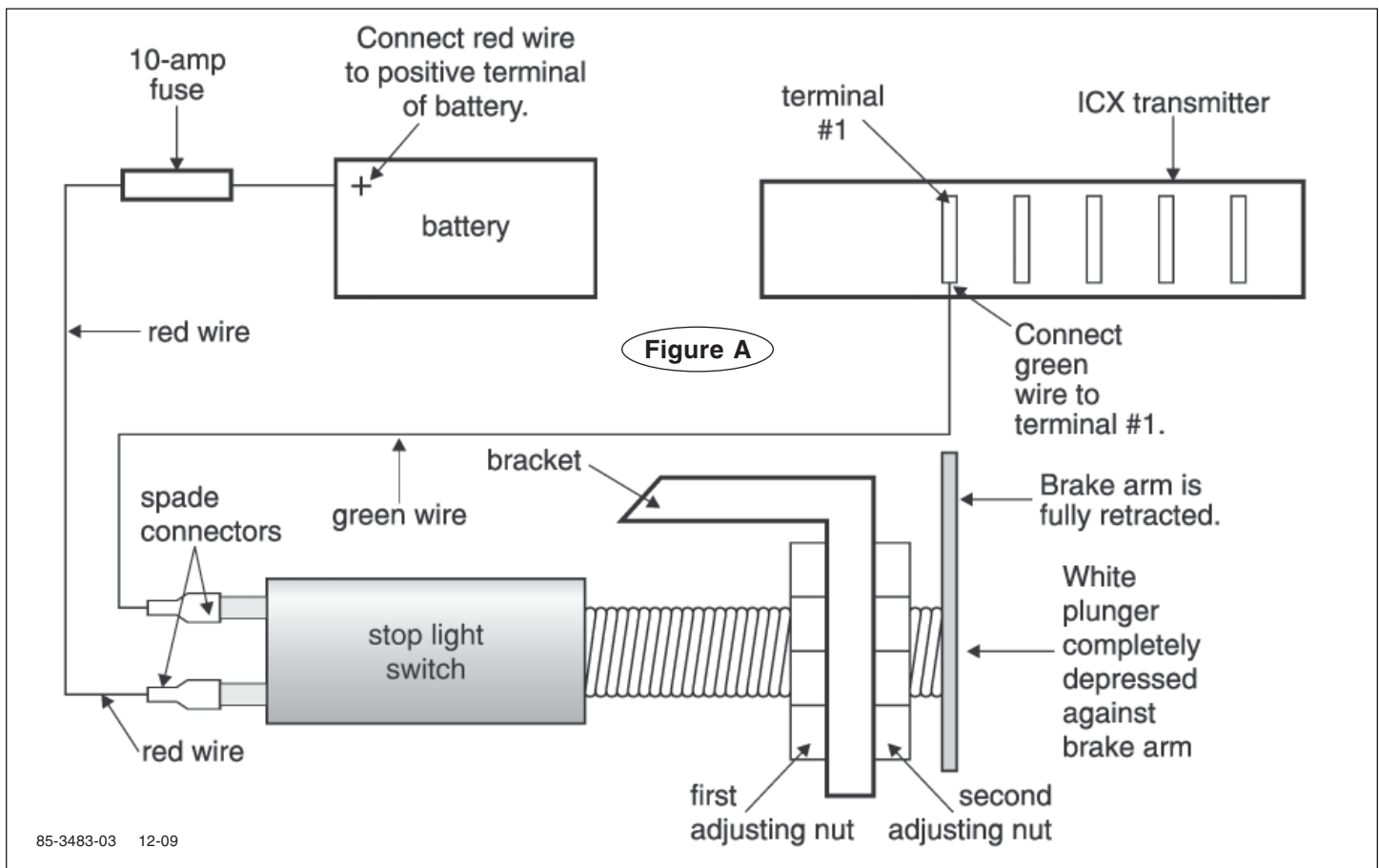
CAUTION

The stop light switch must be installed as directed above...

- The plunger must be completely depressed against the brake arm. Otherwise, it may cause a false brake light signal at the BrakeMaster motorhome monitor, or a "Not operational – Brake pedal is depressed" signal at the Even Brake motorhome monitor.
- The brake arm must be fully retracted when the stop light switch is installed. If it is not, the brake pedal may depress the towed vehicle's brakes continuously, which will cause excessive brake wear, brake system damage or other consequential, non-warranty damage.

for Even Brake wiring...

- Follow steps one through five above.
 - Using the included spade connectors, connect the red and green wires to the stop light switch terminals (Figure A).
 - Now, connect the green wire to the terminal marked "1" on the Even Brake ICX transmitter.
 - Using a 10 amp fuse (Figure A), connect the red wire
- continued on next page*



To wire the switch to the battery...

continued from preceding page

to the positive terminal on the vehicle's battery.

Note: if the vehicle's battery must be disconnected for towing and a battery disconnect device has been installed, make certain that the red wire is connect to the positive side of the battery disconnect device. In this manner, 12V+ will be present when the battery is disconnected.

for BrakeMaster wiring...

- Follow steps one through five above.
- Using the spade connectors, connect the red and green wires to the stop light switch terminals (Figure A).
- Now, using a butt connector, connect the green wire to the "hot" wire in the BrakeMaster motorhome monitor.
- Using a 10 amp fuse (Figure A), connect the red wire to the positive terminal on the vehicle's battery.

Second wiring method – Wire the switch to the fuse box...

Note: Some newer vehicles may have an electronic "retained accessory power" feature. Refer to the owner's manual, or the manufacturer, to determine if the vehicle is so equipped.

With this feature, the electronic accessories continue to function normally for about ten minutes after the ignition key is turned off, as if the key were in the "ACC" position. Then, the electronic accessories will turn off.

If the vehicle has a retained accessory power feature, do not use this method – instead, wire the stop light switch to the battery.

If the brake lights do not function when the ignition is turned to the "tow" position, the stop light switch can be wired to the vehicle's fuse box, instead of to the battery.

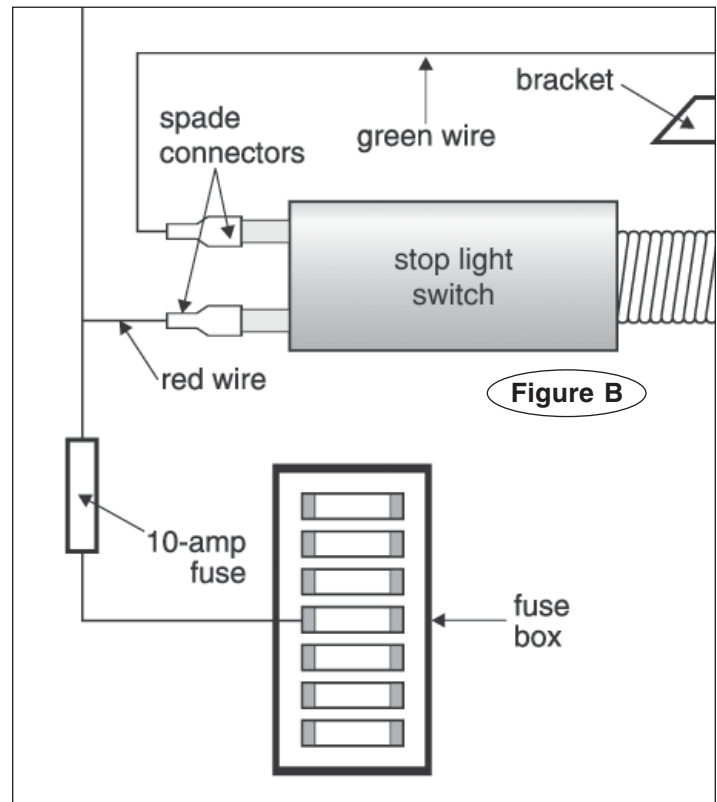
Use the instructions below to connect the stop light switch to the fuse box.

- Follow steps one through five above.
- Using the spade connectors, connect the red and green wires to the stop light switch terminals (Figure B).
- For Even Brake – connect the green wire to the terminal marked "1" on the Even Brake ICX transmitter (Figure A).

For BrakeMaster – using a butt connector, connect the green wire to the "hot" wire in the BrakeMaster motorhome monitor.

- Using a 10 amp fuse, connect the red wire to a fuse that is constantly "hot" when the ignition key is in the "tow" position (Figure B).

With a fuse tap, attach the wire to the "cold" side of the fuse socket.



Test for proper function

After the stop light switch has been installed, test for proper function...

- With a test light, verify 12VDC+ on both spade connectors with the brake pedal depressed.
- With a test light, verify 12VDC+ on only one spade connector with the brake pedal released.
- With the vehicle's engine on, verify that the brake lights illuminate only when the brake pedal is depressed.

WARNING

When the installation is complete, verify that the brake pedal retracts fully.

Unless they are installed correctly, the bracket and/or other kit components may impede the movement of the brake pedal.

If the brake pedal does not retract fully, the brakes will be applied continuously, which may cause severe tire and/or brake system damage, as well as other consequential, non-warranty damage.

Failure to follow these instructions may cause property damage, personal injury or even death.



Towing and Suspension Solutions

ROADMASTER, Inc. • 6110 N.E. 127th Ave. • Vancouver, WA 98682 • 800-669-9690 • Fax 360-735-9300 • roadmasterinc.com

Free Manuals Download Website

<http://myh66.com>

<http://usermanuals.us>

<http://www.somanuals.com>

<http://www.4manuals.cc>

<http://www.manual-lib.com>

<http://www.404manual.com>

<http://www.luxmanual.com>

<http://aubethermostatmanual.com>

Golf course search by state

<http://golfingnear.com>

Email search by domain

<http://emailbydomain.com>

Auto manuals search

<http://auto.somanuals.com>

TV manuals search

<http://tv.somanuals.com>