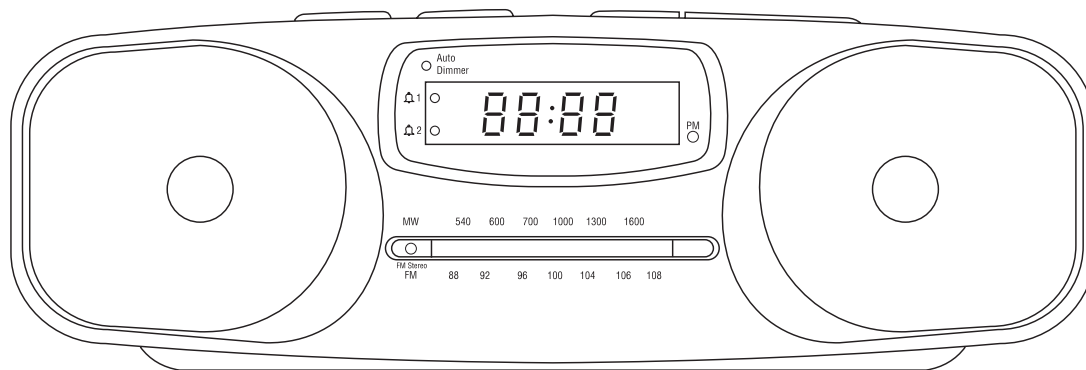


# ROBERTS

Sound for Generations

## CR960

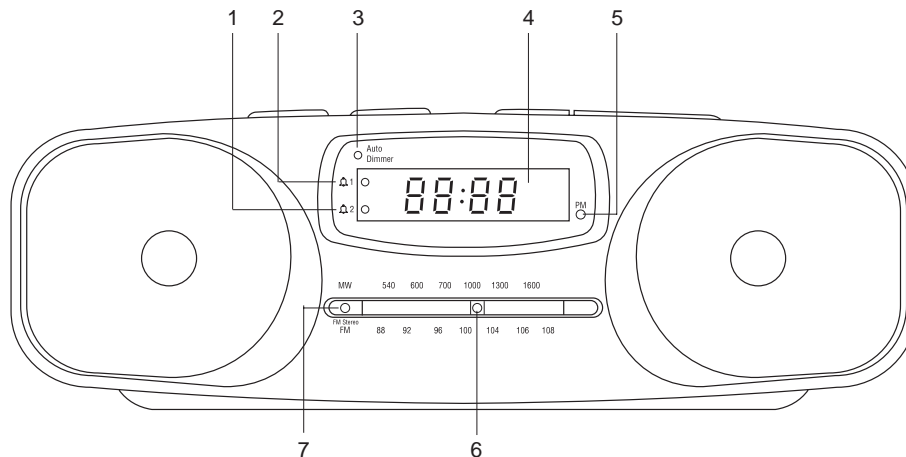
2 Band Stereo Dual Alarm  
Clock Radio



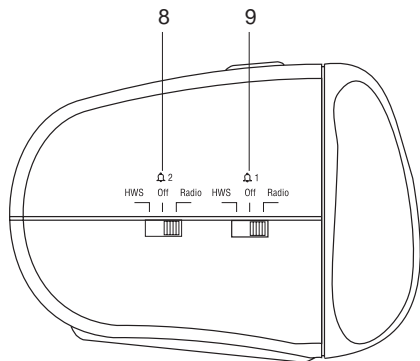
Please read this manual before use

## Controls

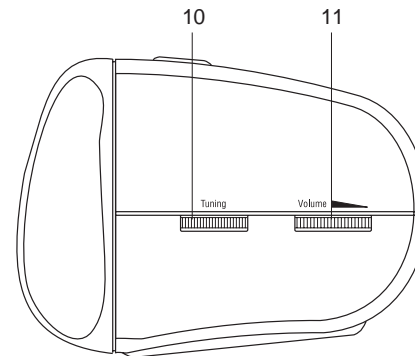
### (Front)



### (Left hand end)



### (Right hand end)

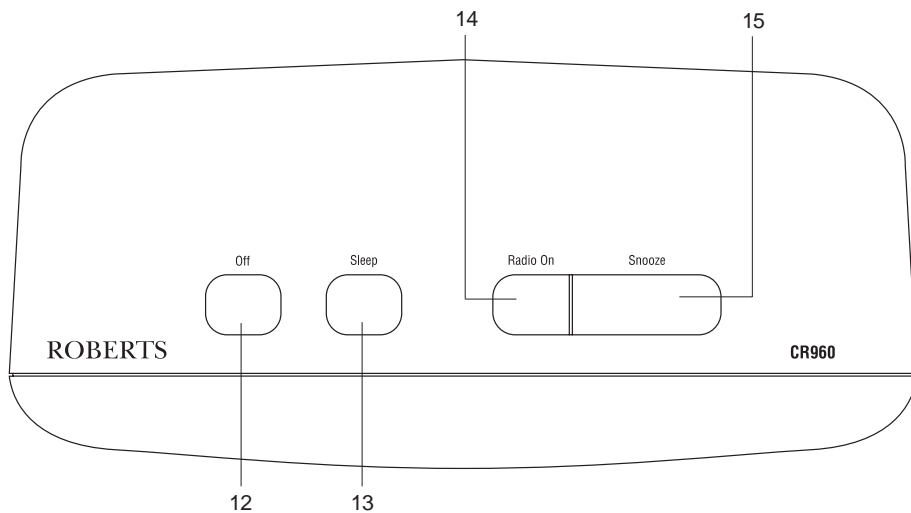


1. Alarm 2 indicator
2. Alarm 1 indicator
3. Auto dimmer
4. Clock display
5. PM indicator
6. LED Dial pointer
7. Stereo indicator
8. Alarm 2 function switch
9. Alarm 1 function switch
10. Tuning control
11. Volume control

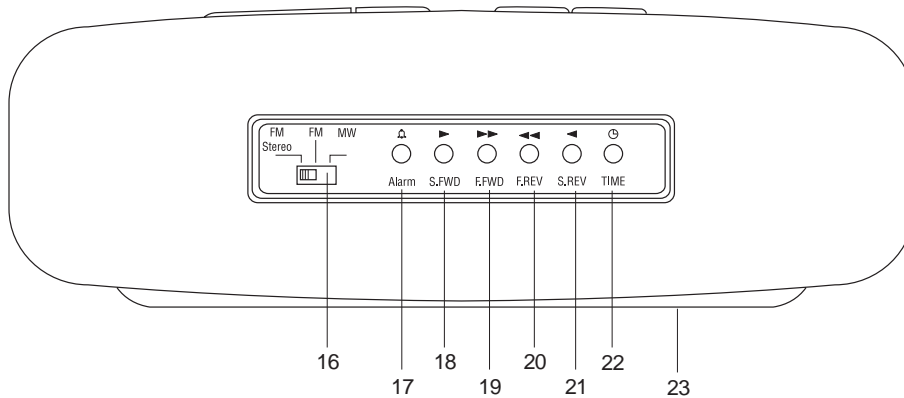
*If you need any further advice, please  
call our Technical Helpline on  
0181 758 0338 (Mon-Fri)*

## Controls

(Top)



(Rear)



- 12. Off button
- 13. Sleep button
- 14. Radio On button
- 15. Snooze button
- 16. Waveband selector
- 17. Alarm set button
- 18. Slow forward button
- 19. Fast forward button
- 20. Fast reverse button
- 21. Slow reverse button
- 22. Time set button
- 23. Battery compartment (on underside)

## General

Do not allow this unit to be exposed to water or steam. Do not leave the unit where excessive heat could cause damage. It is recommended that the FM band be used wherever possible as better results in terms of quality and freedom from interference will usually be obtained than on the MW band.


## Mains supply

The CR960 will operate from a supply of AC 230 volts, 50Hz  only.

For your convenience this product is supplied with a plug which is fitted with a fuse of the appropriate rating. If the plug supplied is not suitable for your socket outlet, it should be removed by unscrewing the plug top, the terminal screws, and removing the cable.

The correct style of plug to suit your household together with a correctly rated fuse should be fitted.

IF IN DOUBT - CONSULT A QUALIFIED ELECTRICIAN

**IMPORTANT. DO NOT** make any connection to the larger terminal which is marked with the letter E or by the safety earth symbol  or coloured Green or Green-and-yellow.

The wires in the mains lead are coloured in accordance with the following codes :-

BLUE - NEUTRAL

BROWN - LIVE

As these colours may not correspond with the coloured markings identifying the terminals in your plug, proceed as follows:

The wire coloured BLUE must be connected to the terminal marked N or coloured BLACK.

The wire coloured BROWN must be connected to the terminal marked L or coloured RED.

*If you need any further advice, please  
call our Technical Helpline on  
0181 758 0338 (Mon-Fri)*

## Fuse

This apparatus must be protected by a 3A fuse (BS1362) in a 13A plug (BS1363). If another type of plug is used a 5A fuse should be fitted in the plug, adaptor or distribution board.

IF IN DOUBT - CONSULT A QUALIFIED ELECTRICIAN.

## Back-up Battery

Slide the battery cover catch (23) in the direction of the arrow. Remove the battery cover. Fit a 9 volt IEC size 6F22 (6LR61, PP3) or equivalent battery into the compartment. Replace the battery cover. The time and alarm settings will be retained during a temporary failure of the AC mains supply. The LED display will not be operational. The battery is not necessary for the unit to function.

## Setting the time

Press and hold down the time set button (22). Use the time adjust buttons (18-21) to adjust the time to the required setting:

- |         |                                |
|---------|--------------------------------|
| (18) ►  | S.FWD Clock time slow forward. |
| (19) ►► | F.FWD Clock time fast forward. |
| (20) ◄◄ | F.REV Clock time fast reverse. |
| (21) ◄  | S.REV Clock time slow reverse. |

Release the time adjust button followed by the time set button when the required time is reached.

Note:

The clock uses a 12 hour display with a PM indicator (5). Ensure that the correct 12 hour cycle is selected.

## Alarms

The CR960 has two alarms which can be set and activated independently. Each alarm can be set to the HWS (Humane Wake System) buzzer or radio alarm.

e.g. Alarm 1 could be set to HWS buzzer for 8:00 AM, Alarm 2 set to Radio for 8:30 AM.

## Setting alarm time 1

Set the alarm 1 function switch (9) to the HWS or Radio position. The alarm 1 indicator (2) will show in the display. Press and hold down the alarm set button (17). Use the time adjust buttons (18-21) to adjust the time to the required setting:

- (18) ► S.FWD Alarm time slow forward.
- (19) ►► F.FWD Alarm time fast forward.
- (20) ◄◄ F.REV Alarm time fast reverse.
- (21) ◄ S.REV Alarm time slow reverse.

Release the time adjust button followed by the alarm set button when the required alarm time is reached.

## Setting alarm time 2

Set the alarm 2 function switch (8) to the HWS or Radio position. The alarm 2 indicator (1) will show in the display. Press and hold down the alarm set button (17). Use the time adjust buttons (18-21) to adjust the time to the required setting:

- (18) ► S.FWD Alarm time slow forward.
- (19) ►► F.FWD Alarm time fast forward.
- (20) ◄◄ F.REV Alarm time fast reverse.
- (21) ◄ S.REV Alarm time slow reverse.

Release the time adjust button followed by the alarm set button when the required alarm time is reached.

## Aerials

The wire aerial located on the rear of the CR960 is for FM reception. The wire should be fully extended and positioned for optimum reception

There is a built in ferrite aerial for MW stations. Rotate the CR960 to the position giving best reception.

## Radio Operation (FM Stereo)

Press the radio on button (14) to turn on the radio. The LED dial pointer (6) located in the tuning scale will light. Set the waveband selector (16) to the "FM Stereo position". Adjust the volume control (11) until a hissing sound

is heard. Rotate the tuning control (10) until the desired station is received. If the station being received is in 'Stereo' the stereo indicator (7) will illuminate. Adjust the volume control (11) to the required sound level.

If the FM signal becomes weak or is accompanied by a high level of background hiss, you may select 'MONO' mode by setting the waveband selector (16) to the "FM" position. To switch off the radio, press the Off button (12).

## Radio Operation (MW)

Press the radio on button (14) to turn on the radio. The LED dial pointer (6) located in the tuning scale will light. Set the waveband selector (16) to the "MW" position. Adjust the volume control (11) until a hissing sound is heard. Rotate the tuning control (10) until the desired station is received. Adjust the volume control (11) to the required sound level. To switch off the radio, press the Off button (12).

## Wake Up to HWS Buzzer

The HWS (Humane Wake System) alarm is a buzzer which starts softly and gradually increases in volume.

Set the alarm time as previously described. Set the alarm 1 (9) or alarm 2 (8) function selector to the HWS position. The corresponding alarm 1 (2) or alarm 2 (1) indicator will light.

The HWS alarm will sound every day at the preset time for 60 minutes. To turn off the alarm until the next day press the Off button (12).

To make a distinction between alarm 1 and alarm 2 the HWS alarm signals have a different sound pitch:

Alarm 1 = lower pitch HWS alarm signal

Alarm 2 = higher pitch HWS alarm signal

*Note:*

If the alarm is not required, set the alarm 1 or alarm 2 function switch to the Off position. The alarm indicator will disappear.

## Wake up to Radio

Set the alarm time as previously described. Switch on the radio by pressing the radio on button (14). Tune into the required station. Make sure that the station will be broadcasting at the time you wish to wake up. Set the volume control to the level of sound at which you want to wake to. Set the alarm 1 (9) or alarm 2 (8) function selector to the Radio position. The corresponding alarm 1 or alarm 2 indicator will light. Switch off the radio by pressing the off button (12).

The radio will turn on every day at the preset time for 60 minutes. To turn off the alarm until the next day press the Off button (12).

## Checking the Alarm Times

To check alarm 1 time, set the alarm 1 function switch (9) to the Radio or HWS position and ensure that the alarm 2 function switch (8) is set to the Off position. Press the alarm button (16) to display the alarm 1 time.

To check alarm 2 time, set the alarm 2 function switch (8) to the Radio or HWS position and ensure that the alarm 1 function switch (9) is set to the Off position. Press the alarm button (16) to display the alarm 2 time.

## Snooze Control

The radio or buzzer alarm can be silenced for 6-7 minutes by pressing the snooze button (15). This sequence can be repeated within the 60 minute alarm period.

## Sleep Timer

The radio can be set to turn off after a preset time has elapsed.

Press and hold down the sleep button (14) until the desired time is reached (maximum 59 minutes in 1 minute steps). The radio will switch off after the sleep time has elapsed.

The radio can be turned off at any time by pressing the Off button (12).

## Auto Dimmer

The Auto Dimmer (3) will automatically adjust the intensity of the clock display to suit room brightness.

## Battery Back-up facility

The purpose of this battery is only to store information relating to the alarm times and to keep the clock functioning in case of disconnection from the mains supply or power interruption. Should this occur the clock will continue to run. The time and alarm settings will be retained but the LED display will not be operational.

*If you need any further advice, please  
call our Technical Helpline on  
0181 758 0338 (Mon-Fri)*

## Specifications

### Power Requirements

Mains	AC 230 volts, 50Hz  only
Back-up Battery	IEC size 6F22 (6LR61, PP3)

### Frequency Coverage

FM	87.5 -108MHz
MW	520 - 1605kHz

## Circuit Features

Loudspeaker	2 x 75mm diameter 8 ohms
Output Power	2 x 0.5W RMS
Aerial System	FM    Wire Aerial
	MW    Built-in Ferrite aerial

*Imported by:-*

**ROBERTS RADIO LIMITED**

PO BOX 130

MEXBOROUGH

SOUTH YORKSHIRE

S64 8YT

*The Company reserves the right to amend the specification without notice.*

## Guarantee

This instrument is guaranteed for twelve months from the date of delivery to the original owner against failure due to faulty workmanship or component breakdown, subject to the procedure stated below. Should any component or part fail during this guarantee period it will be repaired or replaced free of charge.

The guarantee does not cover:

1. Damage resulting from incorrect use.
2. Consequential damage.
3. Receivers with removed or defaced serial numbers.

Procedure:

Any claim under this guarantee should be made through the dealer from whom the instrument was purchased. It is likely that your Roberts dealer will be able to attend to any defect quickly and efficiently, but should it be necessary the dealer will return the instrument to the company's service department for attention. In the event that it is not possible to return the instrument to the Roberts dealer from whom it was purchased, please contact Roberts Radio Technical Services department at the address shown below before taking further action.

*These statements do not affect the statutory rights of a consumer.*

## ROBERTS RADIO TECHNICAL SERVICES DEPARTMENT

97-99 Worton Road  
Isleworth Middlesex  
TW7 6EG

Technical Helpline:-0181 758 0338

Issue 1





## Free Manuals Download Website

<http://myh66.com>

<http://usermanuals.us>

<http://www.somanuals.com>

<http://www.4manuals.cc>

<http://www.manual-lib.com>

<http://www.404manual.com>

<http://www.luxmanual.com>

<http://aubethermostatmanual.com>

Golf course search by state

<http://golfingnear.com>

Email search by domain

<http://emailbydomain.com>

Auto manuals search

<http://auto.somanuals.com>

TV manuals search

<http://tv.somanuals.com>