

# ROBERTS

Sound for Generations



# CR9933

Dual Alarm Clock Radio  
with Nightlight

*PISA*  
*one*

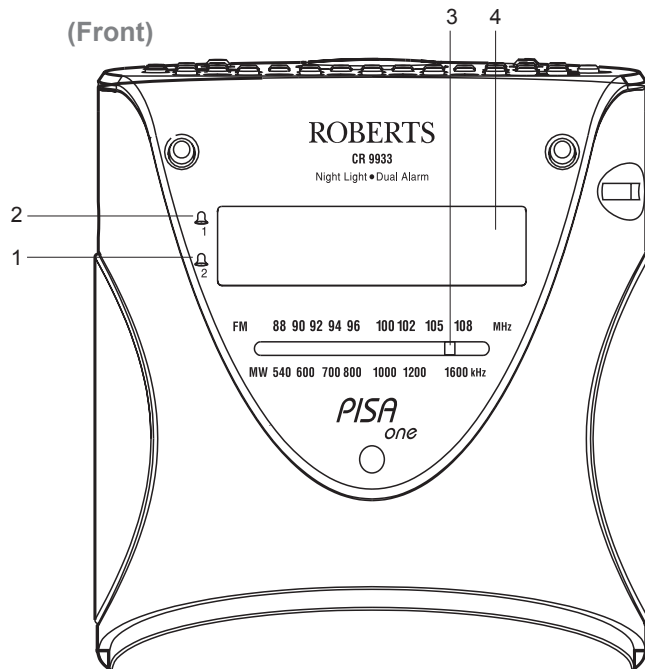
Please read this manual before use

## Contents

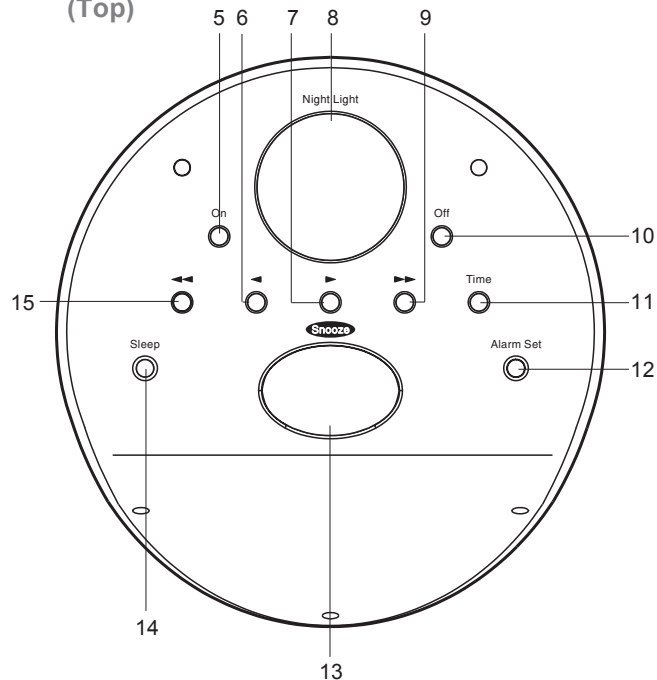
Contents .....	1
Controls .....	2-4
Switching on and setting the time .....	5
Listening to the radio .....	6
Setting alarm times .....	7-8
Checking the alarm times .....	9
Setting the alarms to wake to buzzer .....	10
Setting the alarms to wake to radio .....	10
Snooze control .....	11
Sleep timer .....	11
Night light .....	11
Dimmer switch .....	12
Headphone socket .....	12
General .....	13
Specifications .....	14
Guarantee .....	back page

## Controls

(Front)



(Top)



1. Alarm 2 indicator
2. Alarm 1 indicator
3. Dial pointer
4. Time display
5. On button

6. Time reverse button
7. Time forward button
8. Night light button
9. Time fast forward button
10. Off button

11. Time set button
12. Alarm set button
13. Snooze button
14. Sleep button
15. Time fast reverse button

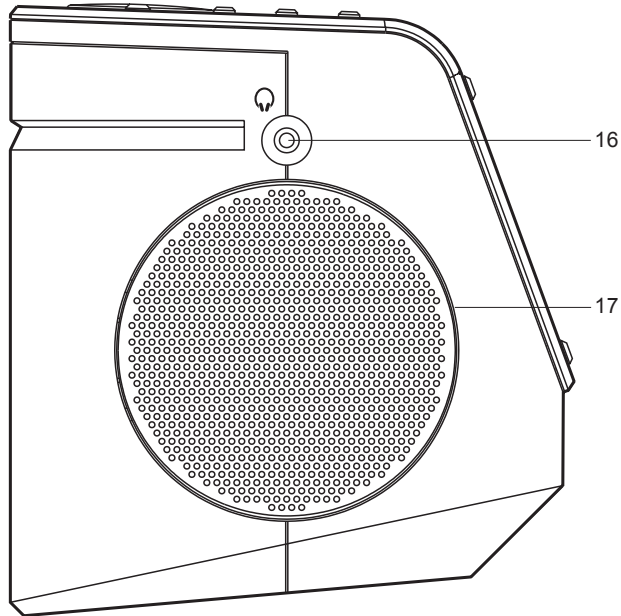
If you need any further advice, please call our Technical Helpline on :-

020 8758 0338 (Mon-Fri)

Download from [www.Somanuals.com](http://www.Somanuals.com). All Manuals Search And Download.

## Controls

(Left side)

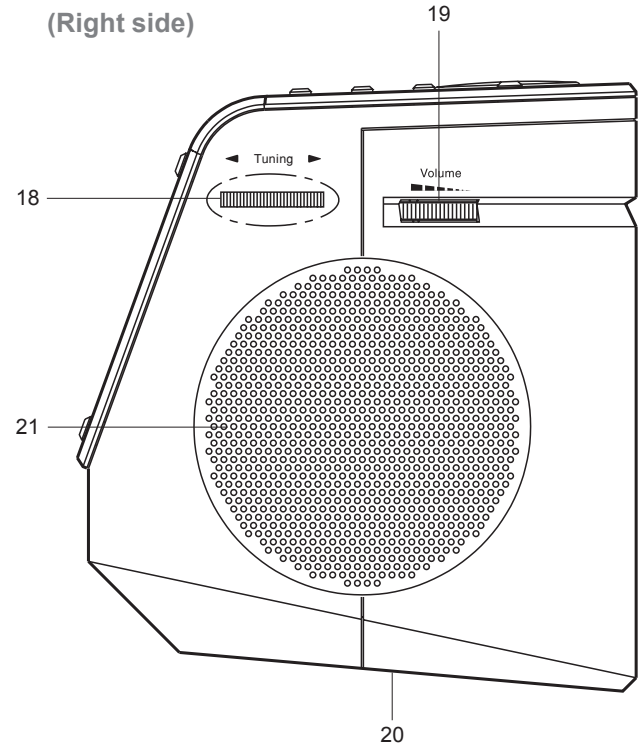


16. Headphone socket

17. Loud Speaker

18. Tuning control

(Right side)

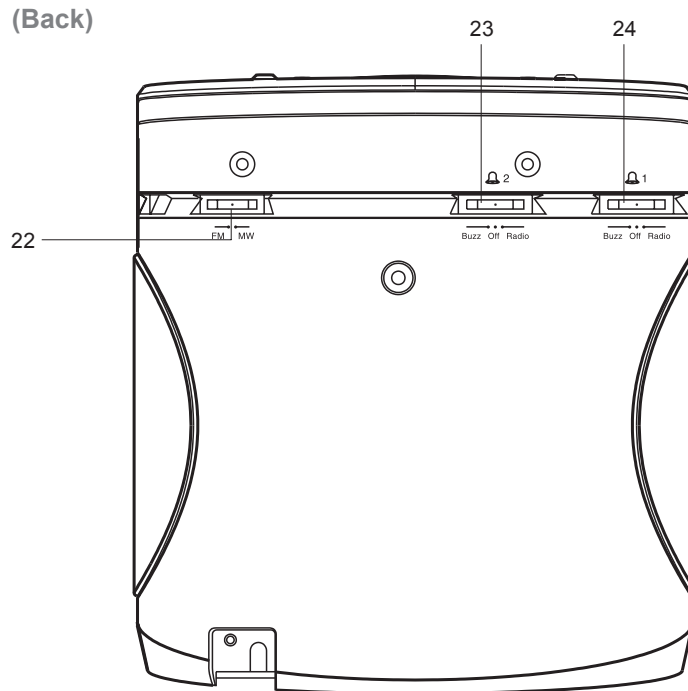


19. Volume control

20. Battery back-up compartment (underside)

21. Loud Speaker

## Controls



22. Waveband selector switch

23. Alarm 1 selector switch

24. Alarm 2 selector switch

*If you need any further advice, please call our Technical Helpline on :-*

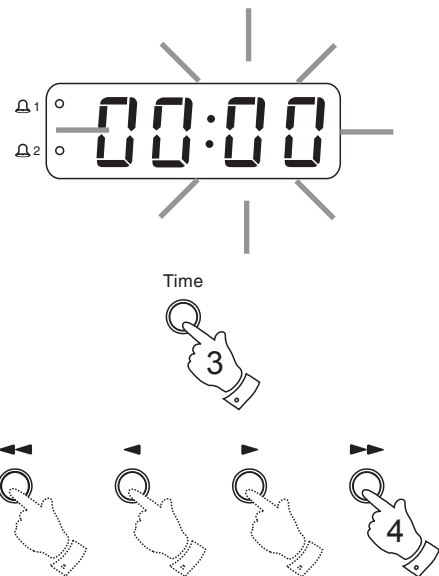
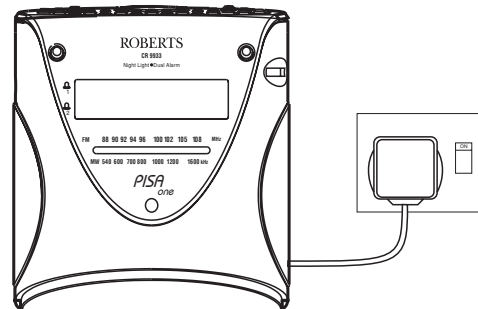
*020 8758 0338 (Mon-Fri)*

Download from [www.Somanuals.com](http://www.Somanuals.com). All Manuals Search And Download.

## Switching on and setting the time

Before using your clock radio you must first set the correct time.

1. Place the unit on a flat surface. Plug the mains lead into a wall socket and switch on.
2. The clock display will flash 00.00.
3. Press and hold down the **Time Set button**.
4. Whilst holding down the **Time Set button** press the **Fast forward**, **Slow forward**, **Slow reverse** or **Fast reverse buttons** to set the time. Release the buttons when the correct time is reached. **The clock uses a 24 hour display.**



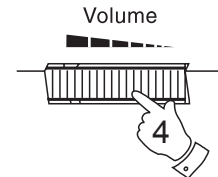
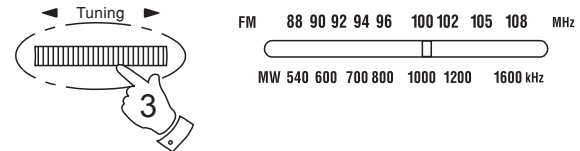
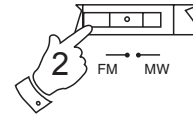
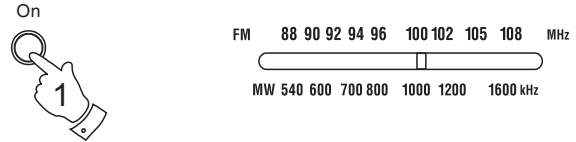
## Listening to the radio

1. Switch on the radio by pressing the **On button**.
2. Select the required waveband using the **Waveband selector switch**.
3. Tune in to the desired station by rotating the **Tuning control**. The station frequency is indicated by the **Dial pointer**.

The **Wire aerial** located on the rear of your clock radio is for FM reception. The wire should be fully extended and positioned for optimum reception.

For MW reception there is a built in ferrite aerial. Rotate your clock radio to the position giving best reception.

4. Adjust the volume by rotating the **Volume control**.
5. The radio can be switched off by pressing the **Off button**.

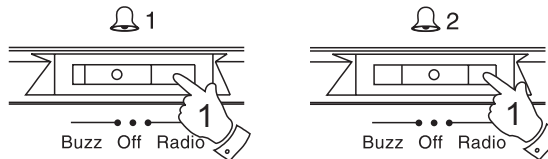


## Setting alarm times

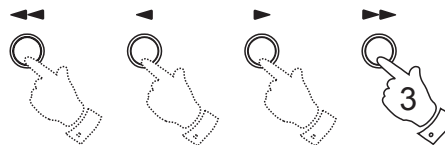
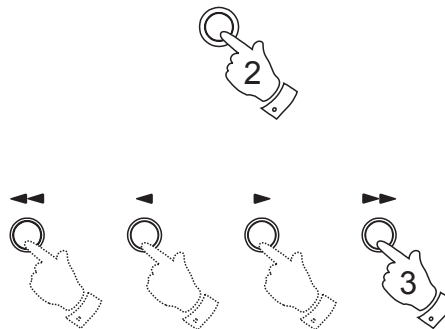
The alarms can be set to wake you by either the buzzer or the radio. Your alarm clock radio has 2 separate alarms which can be set to activate at different times.

### Setting alarm 1

1. Slide the **Alarm 1 selector switch** to the preferred buzzer or radio position. Ensure that the **Alarm 2 selector switch** is **Off**.
2. Press and hold down the **Alarm set button**.
3. Whilst holding down the **Alarm Set button** press the **Fast forward**, **Slow forward**, **Slow reverse** or **Fast reverse buttons** to set the required alarm time. Release the buttons when the correct alarm time is reached. **The clock uses a 24 hour display.**



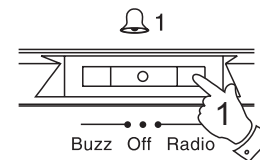
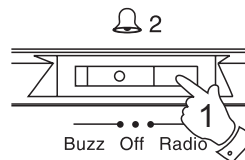
Alarm Set



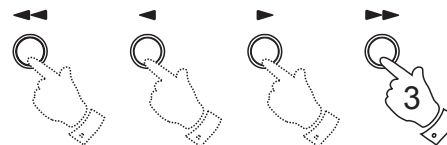


## Setting alarm 2

1. Slide the **Alarm 2 function switch** to the preferred buzzer or radio position. Ensure that the **Alarm 1 selector switch** is on **Off** while setting Alarm 2 but remember to switch Alarm 1 back to buzzer/radio after setting alarm 2.
2. Press and hold down the **Alarm set button**.
3. Whilst holding down the **Alarm Set button** press the **Fast forward**, **Slow forward**, **Slow reverse** or **Fast reverse buttons** to set the required alarm time. Release the buttons when the correct alarm time is reached. **The clock uses a 24 hour display.**

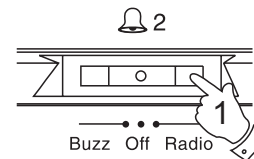
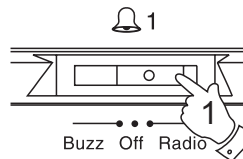


Alarm Set

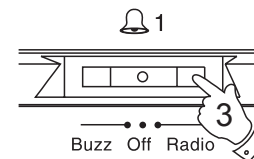
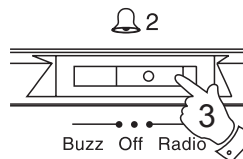


## Checking the alarm times

1. To check the time set on alarm 1, set the **Alarm 1 selector switch** to the buzzer or radio position. Ensure that the **Alarm 2 selector switch** is off while checking alarm 1 but remember to reset the alarm 2 selector switch back to buzzer/radio after the check has been completed.
2. Press the **Alarm Set button** to display the alarm 1 time.
3. To check alarm 2 time, set the **Alarm 2 selector switch** to the buzzer or radio position. Ensure that the **Alarm 1 selector switch** is off while checking alarm 2 but remember to reset the alarm 1 selector switch back to buzzer/radio after the check has been completed.
4. Press the **Alarm Set button** to display the alarm 2 time.



Alarm Set



Alarm Set



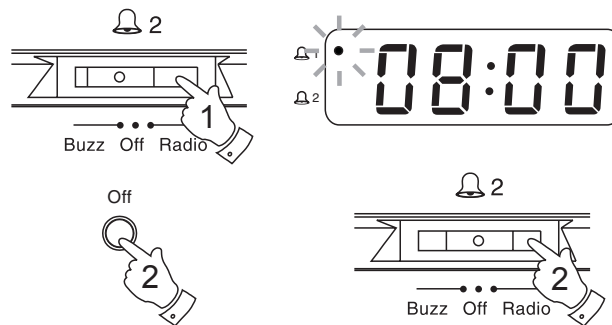
## Setting the alarms to wake to buzzer

1. Set the alarm time as previously described. Set the appropriate **Alarm selector switch** to the 'Buzzer' position. The corresponding **Alarm indicators** will light.
2. The buzzer alarm will sound every day at the preset time for 59 minutes. To switch off the alarm until the next day press the **Off button**. To switch off the alarms permanently set the **Alarm selector switches** to the 'Off' position.

To make a distinction between alarm 1 and alarm 2 the alarm signals have a different sound pitch:

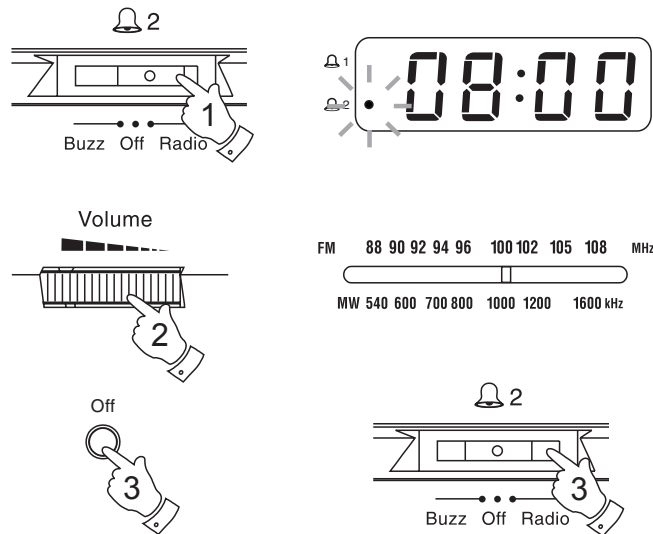
Alarm 1 = lower pitch alarm signal

Alarm 2 = higher pitch alarm signal



## Setting the alarms to wake to radio

1. Set the alarm time as previously described. Set the appropriate **Alarm selector switch** to the 'Radio' position. The corresponding **Alarm indicators** will light.
2. Ensure that the volume is set to the correct level and the desired station is tuned in.
3. The radio alarm will operate every day at the preset time for 59 minutes. To switch off the radio alarm until the next day press the **off button**. To switch off the alarms permanently set the **Alarm selector switch** on both alarm 1 & 2 to the 'Off' position.

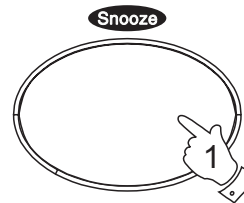


If you need any further advice, please call our Technical Helpline on :-  
020 8758 0338 (Mon-Fri)

Download from [www.Somanuals.com](http://www.Somanuals.com). All Manuals Search And Download.

## Snooze control

1. The radio or buzzer alarm can be silenced for 7 minutes by pressing the **Snooze** button. This sequence can be repeated whilst the alarm is sounding.



---

## Sleep timer

The radio can be set to switch off after a preset time has elapsed.

1. Press and hold down the **Sleep** button until the desired time is reached (maximum 59 minutes in 1 minute steps). The radio will switch off after the sleep time has elapsed.
2. To cancel the sleep function before the preset time has expired, press the **Off** button.

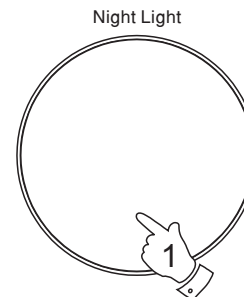


---

## Night light

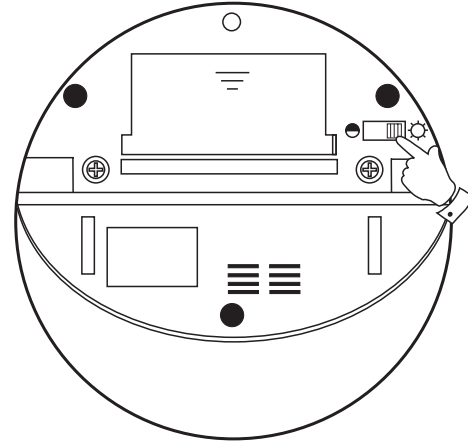
The **Night light** is located on the top of your clock radio.

1. Press the night light button once to switch on the night light. Press again to switch it off. The night light will provide a warm glow adequate to allow you to move safely around the room.



## Dimmer switch

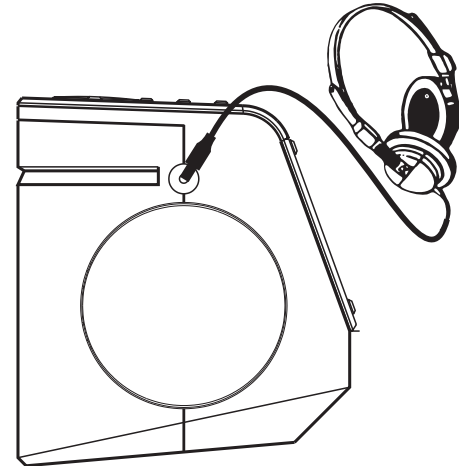
The **Dimmer switch** located on the underside of your clock radio will allow you to adjust the intensity of the clock display to suit room brightness.



---

## Headphone socket (on left hand side)

A **Headphone Socket** (3.5mm) is provided for use with either headphones or an earpiece. Inserting a plug automatically mutes the loudspeaker.



## General

Do not allow this unit to be exposed to water or steam. It is recommended that the FM band be used wherever possible as better results in terms of quality and freedom from interference will usually be obtained than on the MW band.

## Mains supply

The CR9933 will operate from a supply of AC 230volts, 50Hz  $\sim$  only.

For your convenience this product is supplied with a plug which is fitted with a fuse of the appropriate rating. If the plug supplied is not suitable for your socket outlet, it should be removed by unscrewing the plug top, the terminal screws, and removing the cable.

The correct style of plug to suit your household together with a correctly rated fuse should be fitted.

IF IN DOUBT - CONSULT A QUALIFIED ELECTRICIAN

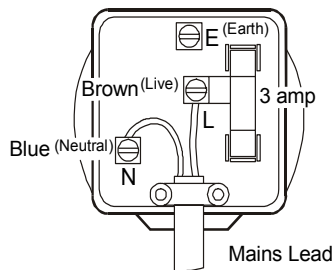
**IMPORTANT. DO NOT** make any connection to the larger terminal which is marked with the letter E or by the safety earth symbol  $\perp$  or coloured Green or Green-and-yellow.

The wires in the mains lead are coloured in accordance with the following codes :-

BLUE - NEUTRAL

BROWN - LIVE

As these colours may not correspond with the coloured markings identifying the terminals in your plug, proceed as follows:-



The wire coloured BLUE must be connected to the terminal marked N or coloured BLACK.

The wire coloured BROWN must be connected to the terminal marked L or coloured RED.

## Fuse

This apparatus must be protected by a 3A fuse (BS1362) in a 13A plug (BS1363). If another type of plug is used a 5A fuse should be fitted in the plug, adaptor or distribution board.

IF IN DOUBT - CONSULT A QUALIFIED ELECTRICIAN.

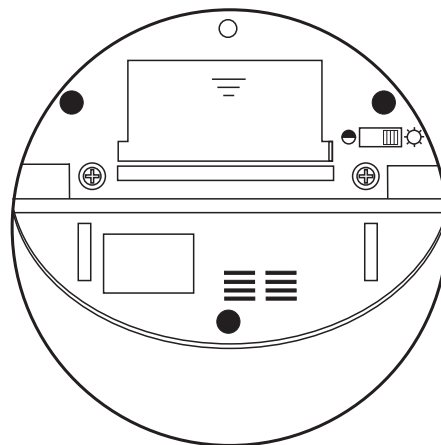
## Back-up battery (not necessary for the unit to function)

Slide the battery catch in the direction of the arrow. Remove the battery cover. Fit a 9 volt IEC size 6F22/06PP (6LR61, PP3) or equivalent battery into the compartment. Replace the battery cover.

The time and alarm settings will be retained during a temporary failure of the AC mains supply. The LED display will not be operational. The display will be extinguished to conserve battery life, but the memory will retain details of the time and alarm time settings.

If your clock radio is not to be used for a prolonged period of time, remove the battery to avoid damage by battery leakage.

## (Underside)



## Specifications

### Power Requirements

Mains	AC 230 volts, 50Hz $\sim$ only
Back-up Battery	IEC size 6F22/06PP (6LR61, PP3)

### Frequency Coverage

FM	87.5 - 108MHz
MW	540 - 1600 kHz

## Circuit features

Loudspeaker	8 ohms
	Output power 350mW
Aerial System	FM Wire Aerial
	MW Built-in Ferrite aerial

*The Company reserves the right to amend the specification without notice.*

*If you need any further advice, please call our Technical Helpline on :-*

*020 8758 0338 (Mon-Fri)*

Download from [www.Somanuals.com](http://www.Somanuals.com). All Manuals Search And Download.

## Guarantee

This instrument is guaranteed for twelve months from the date of delivery to the original owner against failure due to faulty workmanship or component breakdown, subject to the procedure stated below. Should any component or part fail during this guarantee period it will be repaired or replaced free of charge.

The guarantee does not cover:

1. Damage resulting from incorrect use.
2. Consequential damage.
3. Receivers with removed or defaced serial numbers.

Procedure:

Any claim under this guarantee should be made through the dealer from whom the instrument was purchased. It is likely that your Roberts' dealer will be able to attend to any defect quickly and efficiently, but should it be necessary the dealer will return the instrument to the company's service department for attention. In the event that it is not possible to return the instrument to the Roberts' dealer from whom it was purchased, please contact Roberts Radio Technical Services at the address shown below.

*These statements do not affect the statutory rights of a consumer.*

### **ROBERTS RADIO TECHNICAL SERVICES**

97-99 Worton Road  
Isleworth Middlesex  
TW7 6EG





## Free Manuals Download Website

<http://myh66.com>

<http://usermanuals.us>

<http://www.somanuals.com>

<http://www.4manuals.cc>

<http://www.manual-lib.com>

<http://www.404manual.com>

<http://www.luxmanual.com>

<http://aubethermostatmanual.com>

Golf course search by state

<http://golfingnear.com>

Email search by domain

<http://emailbydomain.com>

Auto manuals search

<http://auto.somanuals.com>

TV manuals search

<http://tv.somanuals.com>