

ROBERTS

Sound for Generations

R9962

LW/MW/SW1-9/FM

12 band Portable World Radio



Download from [Www.Somanuals.com](http://www.Somanuals.com). All Manuals Search And Download.

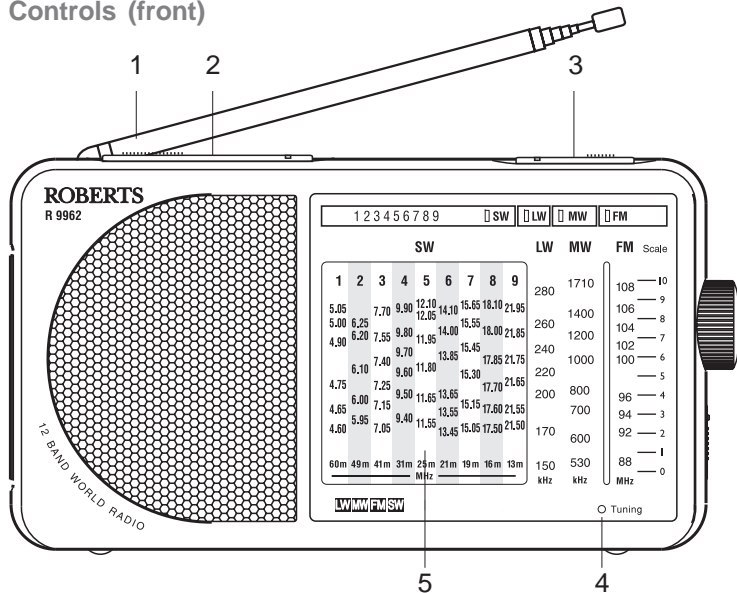
Contents

<i>Controls</i>	2-3
<i>Batteries</i>	4
<i>Operating your radio - FM</i>	5
<i>Operating your radio - Medium and Long wave</i>	6
<i>Operating your radio - Shortwave</i>	7
<i>Headphones</i>	8
<i>Mains adaptor</i>	8
<i>Specifications</i>	9
<i>Guarantee</i>	10

Please note

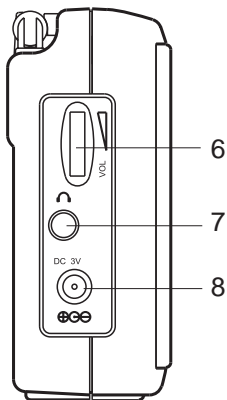
Do not allow this unit to be exposed to moisture (e.g. dripping or splashing). Do not leave the radio where excessive heat could cause damage such as in a parked car where the heat from the sun can build up even though the outside temperature may not seem too high.

Controls (front)

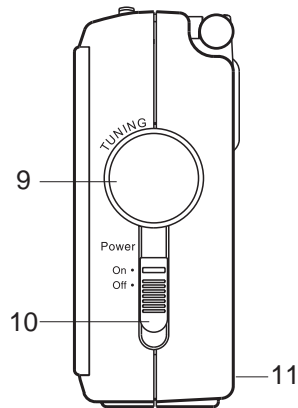


1. Telescopic aerial
2. SW band switch
3. Waveband switch
4. Tuning indicator
5. Tuning scale

Controls (left and right hand ends)



- 6. Volume control
- 7. Headphone socket
- 8. DC input socket

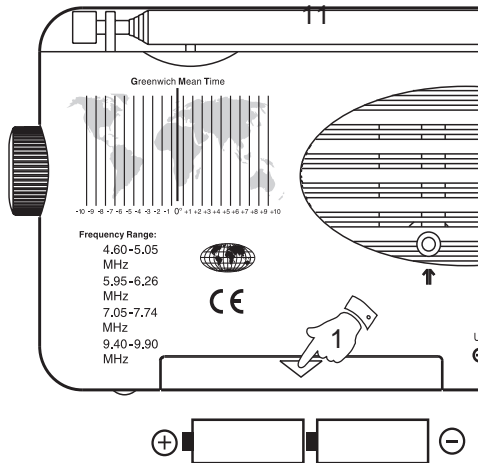


- 9. Tuning control
- 10. On/Off switch
- 11. Battery compartment

Download from [Www.Somanuals.com](http://www.Somanuals.com). All Manuals Search And Download.

Batteries

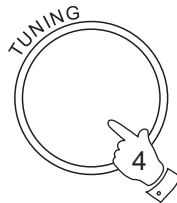
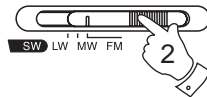
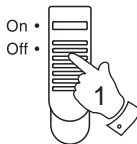
1. Remove the **Battery cover** on the rear of your radio by pushing the battery door in and downwards.
2. Insert two LR6 (AA size) batteries into the spaces in the compartment. Take care to ensure all batteries are inserted with the correct polarity as shown on the rear of your radio. Replace the battery cover.
3. Reduced power, distortion and a 'stuttering' sound are all signs that the batteries may need replacing.
4. If the radio is not to be used for any extended period of time it is recommended that the batteries are removed from the radio.



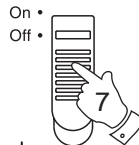
Operating your radio - FM

1. Switch on your radio by sliding the **Power On/Off switch** to the On position.
2. Slide the **Waveband selector switch** to the FM position.
3. Adjust the **Volume control** until a hissing sound is heard.
4. Rotate the **Tuning control** to select the desired station. The **Tuning indicator** will light when the station is correctly tuned. On FM the **Tuning scale** is marked in Mega-hertz (MHz).
5. For FM reception fully extend the **Telescopic aerial** and then angle and rotate for best reception.
6. Adjust the **Volume** to the required setting.
7. To switch off your radio slide the **Power On/Off switch** to the Off position.

Power



Power



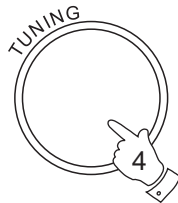
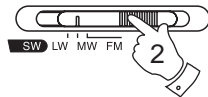
Operating your radio - Medium and Long wave

1. Switch on your radio by sliding the **Power On/Off switch** to the On position.
2. Slide the **Waveband selector switch** to the MW or LW position.
3. Adjust the **Volume control** until a hissing sound is heard.
4. Rotate the **Tuning control** to select the desired station. The **Tuning indicator** will light when the station is correctly tuned. On MW and LW the **Tuning scale** is marked in kilohertz (kHz).

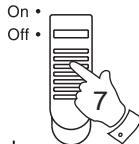
Note : The telescopic aerial is inoperative on MW and LW.

5. For MW or LW reception rotate your radio to the position giving best reception.
6. Adjust the **Volume** to the required setting.
7. To switch off your radio slide the **Power On/Off switch** to the Off position.

Power



Power



Download from Www.Somanuals.com. All Manuals Search And Download.

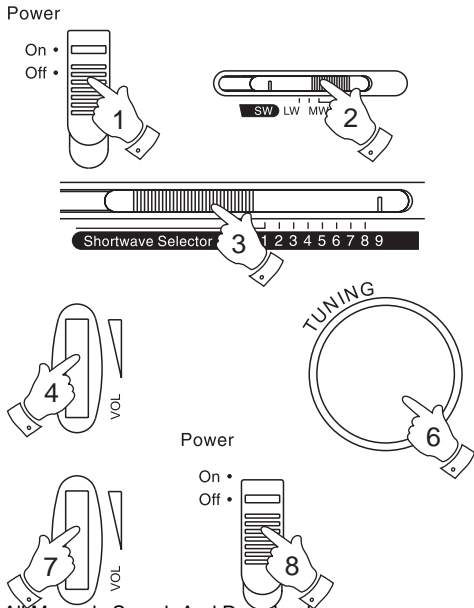
If you need any further advice, please call our Technical Helpline on :- 020 8758 0338 (Mon-Fri)

Operating your radio - Shortwave

1. Switch on your radio by sliding the **Power On/Off switch** to the On position.
2. Slide the **Waveband selector switch** to the SW position.
3. Select the required SW band using the **SW band selector switch**.

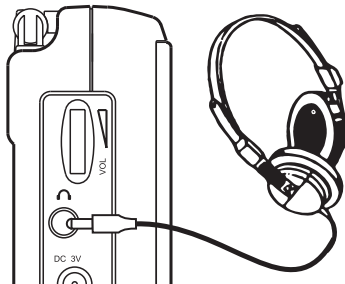
For information on the most appropriate shortwave band refer to shortwave guide or BBC website at <http://www.bbc.co.uk>.

4. Adjust the **Volume control** until a hissing sound is heard.
5. Fully extend the **Telescopic aerial**.
6. Rotate the **Tuning control** to select the desired station. The **Tuning indicator** will light when the station is correctly tuned. On SW the **Tuning scale** is marked in Megahertz (MHz).
7. Adjust the **Volume** to the required setting.
8. To switch off your radio slide the **Power On/Off switch** to the Off position.



Headphones (not included)

A **Headphone Socket** (3.5mm) located on the left hand end of your radio is provided for use with either headphones or an earpiece. Inserting the headphone plug automatically mutes the internal loudspeaker.

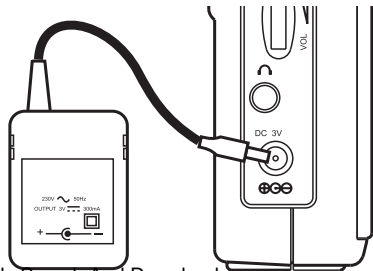


Mains adaptor (not included)

The AC adaptor for use with the R9962 should provide 3 volts DC output at 200mA centre pin negative.


Plug the lead from the adaptor into the DC socket located on the left hand end of your radio. Plug the adaptor into a mains outlet. The battery will be automatically disconnected

The mains adaptor should be disconnected from the mains supply when not in use.



Specifications

Power Requirements

Batteries : 3V  2 x LR6 (AA) size

External : 3V  200mA (centre pin negative)

Battery Life

Approx. 20hrs of listening for 4 hours a day at normal volume, using Alkaline cells.

Loudspeaker 50mm 8 ohm.

Output Power 120mW into 4 ohms.

Headphone Socket 3.5mm dia mono

Aerial System

LW : Built-in Ferrite aerial

MW : Built-in Ferrite aerial

FM : Telescopic aerial

SW : Telescopic aerial

Frequency Coverage

LW 150 - 281 kHz

MW 530 - 1710 kHz

FM 87.5 - 108 MHz

SW1 60m band 4.60 - 5.05 MHz

SW2 49m band 5.95 - 6.25 MHz

SW3 41m band 7.05 - 7.70 MHz

SW4 31m band 9.40 - 9.90 MHz

SW5 25m band 11.55 - 12.10 MHz

SW6 21m band 13.45 - 14.10 MHz

SW7 19m band 15.05 - 15.65 MHz

SW8 16m band 17.50 - 18.05 MHz

SW9 13m band 21.50 - 21.95 MHz

Guarantee

This instrument is guaranteed for twelve months from the date of delivery to the original owner against failure due to faulty workmanship or component breakdown, subject to the procedure stated below. Should any component or part fail during this guarantee period it will be repaired or replaced free of charge.

The guarantee does not cover:

1. Damage resulting from incorrect use.
2. Consequential damage.
3. Radios with removed or defaced serial numbers.

N.B. Damaged or broken telescopic aerials will not be replaced under guarantee.

Procedure:

Any claim under this guarantee should be made through the dealer from whom the instrument was purchased. It is likely that your Roberts' dealer will be able to attend to any defect quickly and efficiently but should it be necessary the dealer will return the instrument to the Company's service department for attention. In the event that it is not possible to return the instrument to the Roberts' dealer from whom it was purchased, please contact Roberts Radio Technical Services department at the address shown on the rear of this manual before taking further action.

These statements do not affect the statutory rights of a consumer.

ROBERTS RADIO TECHNICAL SERVICES DEPARTMENT

97-99 Worton Road

Isleworth Middlesex

TW7 6EG



Issue 3

Technical Helpline:- 020 8758 0338 (Mon-Fri)

Website: <http://www.robertsradio.co.uk>

Download from www.Somanuals.com: All Manuals Search And Download.



Free Manuals Download Website

<http://myh66.com>

<http://usermanuals.us>

<http://www.somanuals.com>

<http://www.4manuals.cc>

<http://www.manual-lib.com>

<http://www.404manual.com>

<http://www.luxmanual.com>

<http://aubethermostatmanual.com>

Golf course search by state

<http://golfingnear.com>

Email search by domain

<http://emailbydomain.com>

Auto manuals search

<http://auto.somanuals.com>

TV manuals search

<http://tv.somanuals.com>