

# ROBERTS

Sound for Generations



## R9965

*Poolside*

All Weather Radio

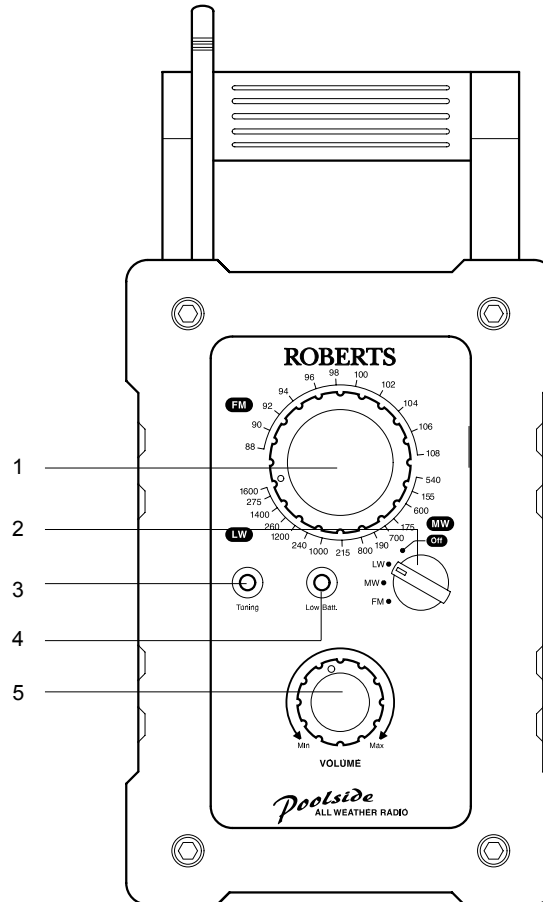
Please read this manual before use

<i>Contents</i> .....	2
<i>Controls</i> .....	3-5
<i>Battery Operation</i> .....	6
<i>Using the AC Adaptor</i> .....	6
<i>Listening to the radio - FM</i> .....	7
<i>Listening to the radio - Medium and Long wave</i> .....	8
<i>Headphones</i> .....	8
<i>General</i> .....	9
<i>Mains Supply</i> .....	9
<i>Specification</i> .....	10
<i>Guarantee</i> .....	11

## Controls

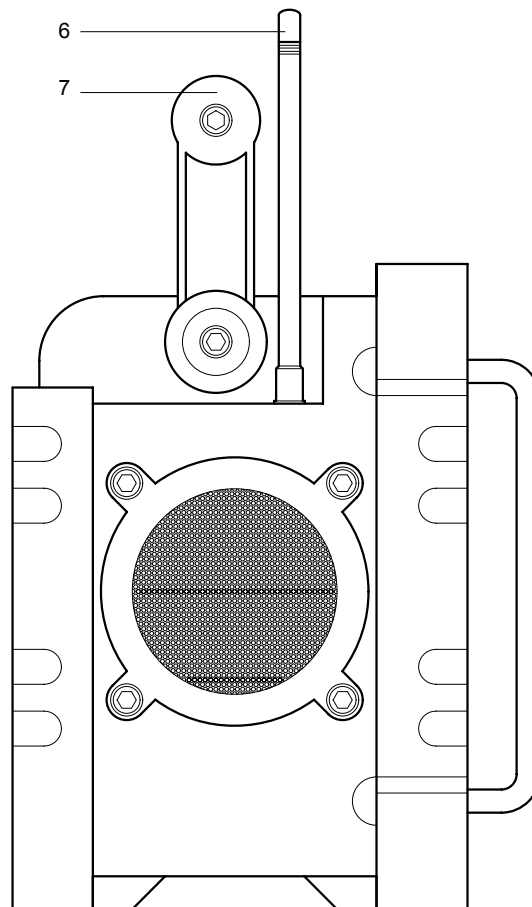
### (Front)

1. Tuning dial
2. Waveband switch
3. Tuning indicator
4. Low battery indicator
5. Volume Control



## Controls

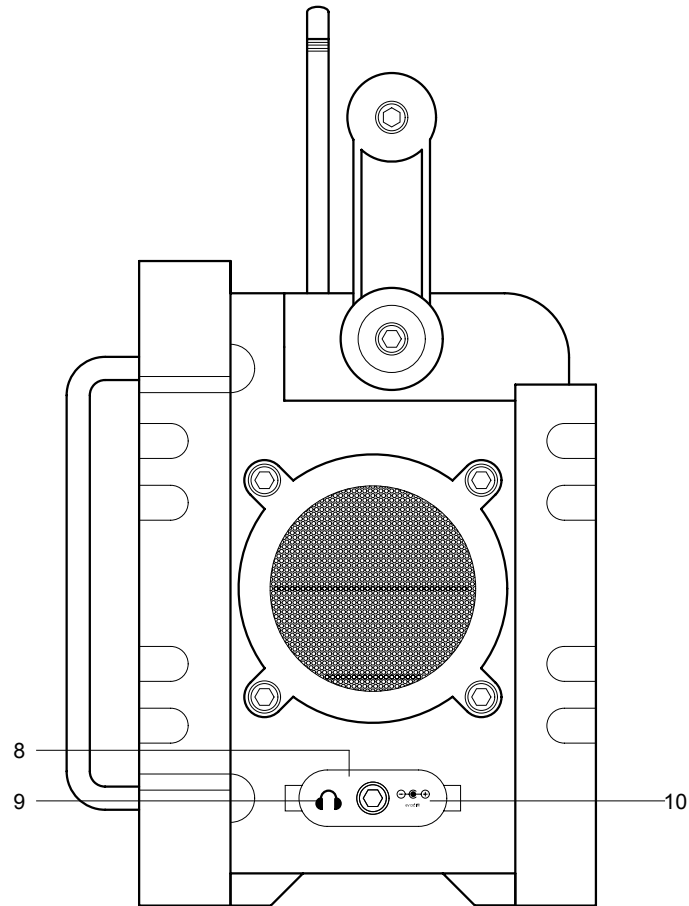
(Left Side)



- 6. Rubber aerial
- 7. Carrying handle

## Controls

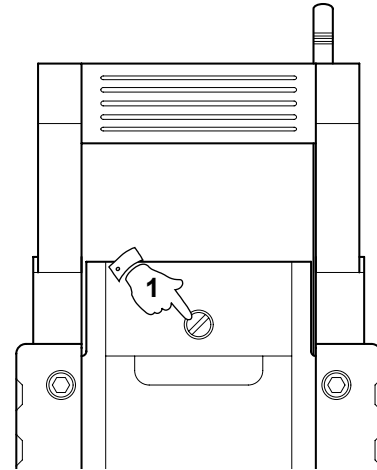
(Right side)



- 8. Rubber socket cover
- 9. Headphone socket
- 10. DC input socket

## Battery operation

1. Open the **Battery cover** on the rear of your radio by removing the screw, lifting the cover flap and opening the door in a downward direction.
2. Insert four LR14 (C size) batteries into the spaces in the compartment. Take care to ensure all batteries are inserted with the correct polarity as shown inside the battery compartment. Replace the battery cover.
3. The low battery indicator will light when the batteries need replacing.

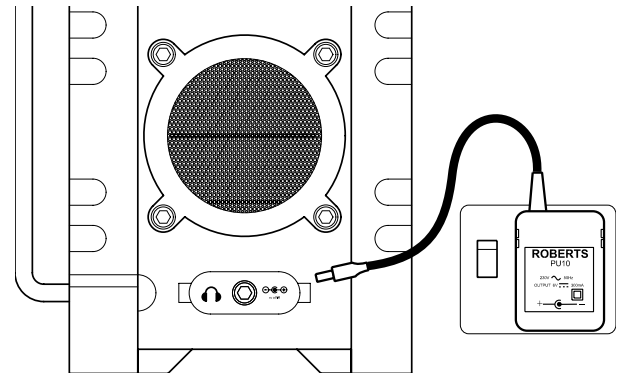


## Using the AC adaptor

1. Place your radio on a flat surface.
2. Insert the adaptor plug into the DC socket located on the right side of your radio.
3. Plug the adaptor into a standard 13 amp mains socket outlet. Whenever the adaptor is used, the batteries are automatically disconnected.

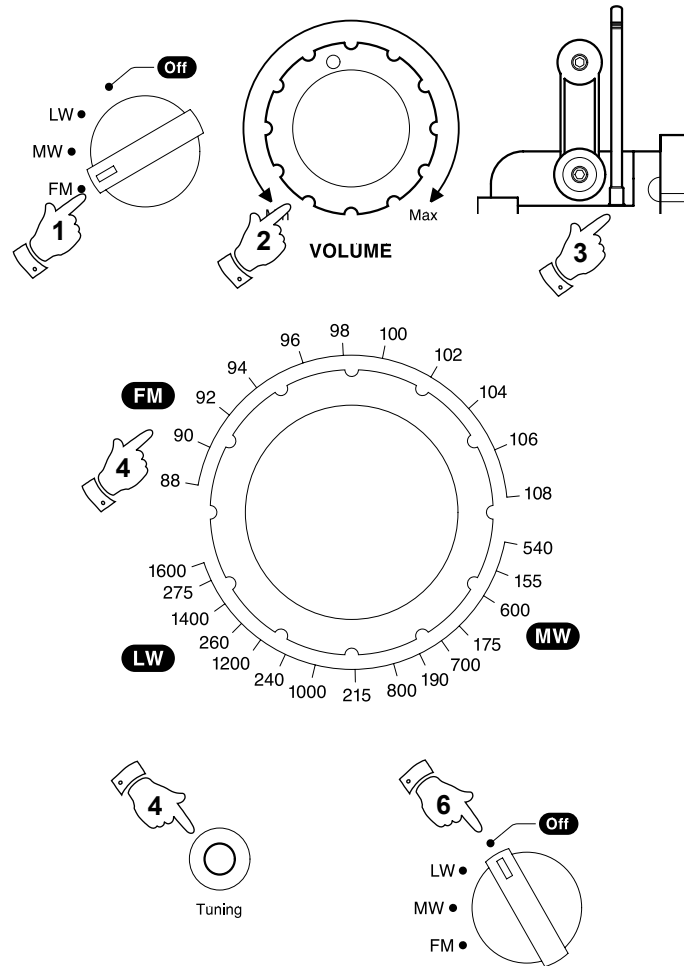
The AC adaptor should be disconnected from the mains supply and the radio when not in use. The AC adaptor for use with the R9965 (Roberts type PU10) should provide 6 volts DC output at 1A, centre pin negative.

*We would recommend for economy that your radio is used via the AC adaptor whenever possible with battery operation for occasional or stand-by use only.*



## Listening to the radio - FM

1. Select 'FM' using the **Waveband switch**.
2. Adjust the **Volume control** until a hissing sound is heard.
3. If not already fitted, screw the **Rubber aerial** into place on the top of the radio.
4. Carefully tune to the desired station using the **Tuning control**.  
The **Tuning indicator** will light when the station is correctly tuned.  
The FM band is marked on the upper half of the dial.
5. You may need to rotate your radio for optimum reception.
6. To switch off the radio set the **Waveband switch** to the 'Off' position.

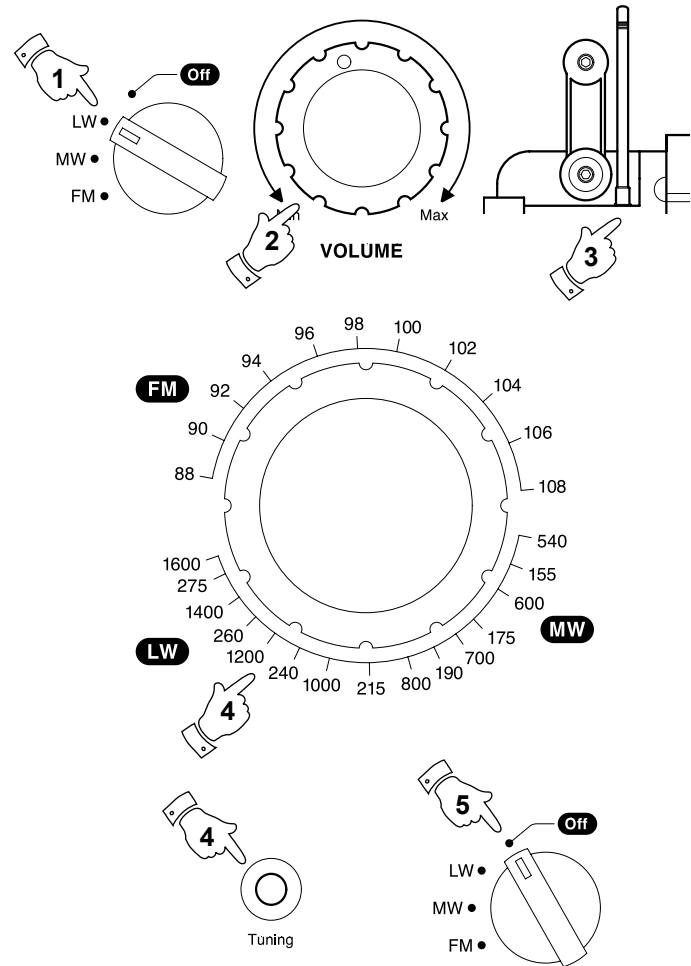


## Listening to the radio - Medium and Long wave

1. Select 'MW' or 'LW' using the **Waveband switch**.
2. Adjust the **Volume control** until a hissing sound is heard.
3. Carefully tune to the desired station using the **Tuning control**.  
The **Tuning indicator** will light when the station is correctly tuned.  
The MW and LW bands are marked on the lower half of the dial.
4. You may need to rotate your radio for optimum reception.
5. To switch off the radio set the **Waveband switch** to the 'Off' position.

## Headphone socket

A 3.5mm **Headphone Socket** located on the right hand side of your radio, is provided for use with either headphones or an earpiece. Inserting the plug into the socket automatically mutes the internal loudspeaker.






## Notes

## Specifications

### Power Requirements

Mains AC 230 volts, 50Hz  only.  
Batteries 4 x LR14 (C size)

### Frequency Coverage

FM	87.5-108MHz
MW	522- 1600kHz
LW	144- 281kHz

## Circuit Features

Loudspeaker	2 x 77mm 8ohms	
Output Power	2 x 1.6 Watts	
Headphone socket 3.5mm dia		
Aerial System	FM	Rubber aerial
	MW	Built in Ferrite aerial
	LW	Built in Ferrite aerial

*The Company reserves the right to amend the specification without notice.*

## Guarantee

This instrument is guaranteed for twelve months from the date of delivery to the original owner against failure due to faulty workmanship or component breakdown, subject to the procedure stated below. Should any component or part fail during this guarantee period it will be repaired or replaced free of charge.

The guarantee does not cover:

1. Damage resulting from incorrect use.
2. Consequential damage.
3. Receivers with removed or defaced serial numbers.

N.B. Damaged or broken aerials will not be replaced under guarantee.

Procedure:

Any claim under this guarantee should be made through the dealer from whom the instrument was purchased. It is likely that your Roberts' dealer will be able to attend to any defect quickly and efficiently, but should it be necessary the dealer will return the instrument to the company's service department for attention. In the event that it is not possible to return the instrument to the Roberts' dealer from whom it was purchased, please contact Roberts Radio Technical Services department at the address shown on the rear of this manual before taking further action.

*These statements do not affect the statutory rights of a consumer.*

*If you need any further advice, please call our Technical Helpline on :-*

*020 8758 0338 (Mon-Fri)*

Download from [www.Somanuals.com](http://www.Somanuals.com). All Manuals Search And Download.

## **ROBERTS RADIO TECHNICAL SERVICES**

97-99 Worton Road  
Isleworth Middlesex  
TW7 6EG

Technical Helpline:- 020 8758 0338 *(Mon-Fri)*

Issue 1



## Free Manuals Download Website

<http://myh66.com>

<http://usermanuals.us>

<http://www.somanuals.com>

<http://www.4manuals.cc>

<http://www.manual-lib.com>

<http://www.404manual.com>

<http://www.luxmanual.com>

<http://aubethermostatmanual.com>

Golf course search by state

<http://golfingnear.com>

Email search by domain

<http://emailbydomain.com>

Auto manuals search

<http://auto.somanuals.com>

TV manuals search

<http://tv.somanuals.com>