

# ROBERTS

Sound for Generations

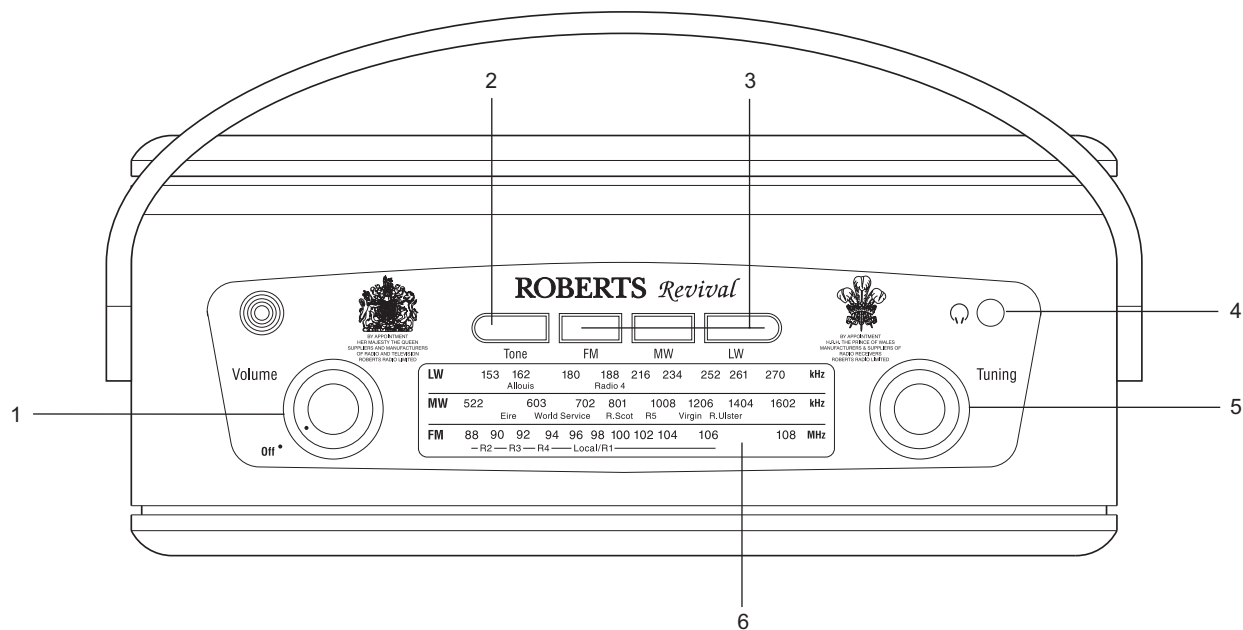
## 3-band Portable Radio



*Reverval*

Please read this manual before use

## Controls (top panel)

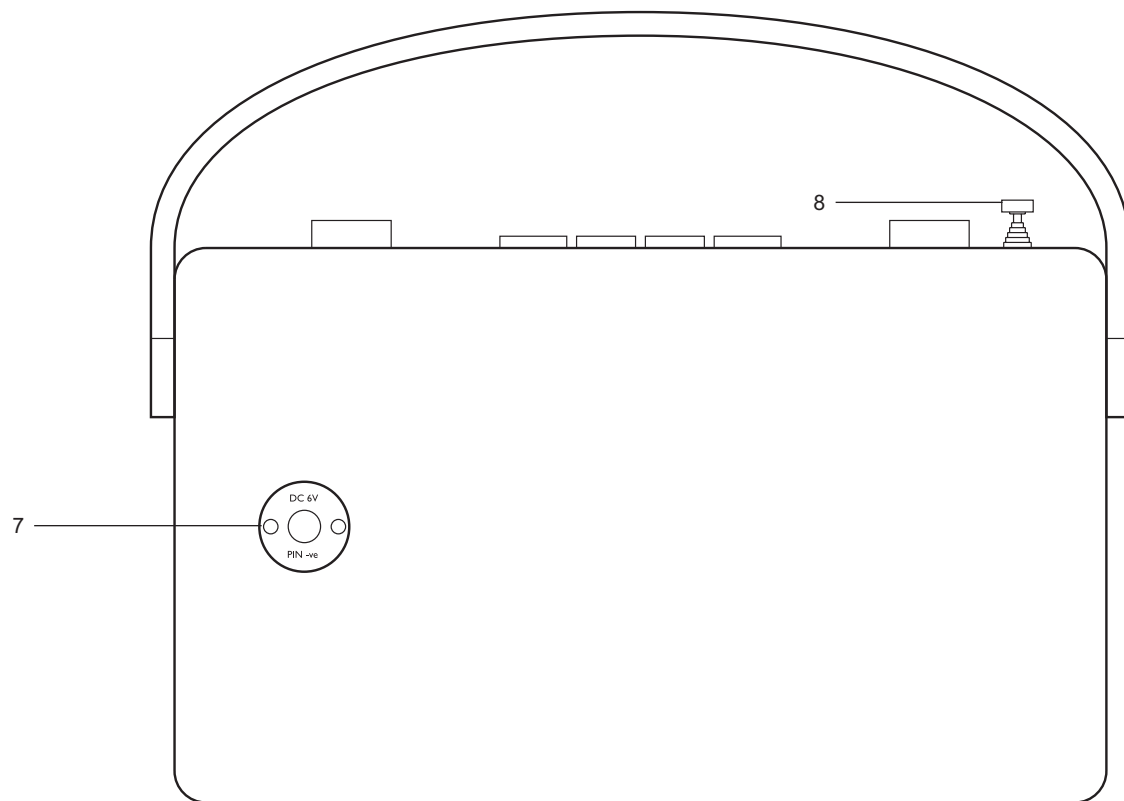


1. On/Off and volume control
2. Tone control button
3. Waveband buttons

4. Headphone socket
5. Tuning control
6. Dial scale

If you need any further advice, please call our Technical Helpline on :-  
020 8758 0338 (Mon-Fri)

## Controls (rear)

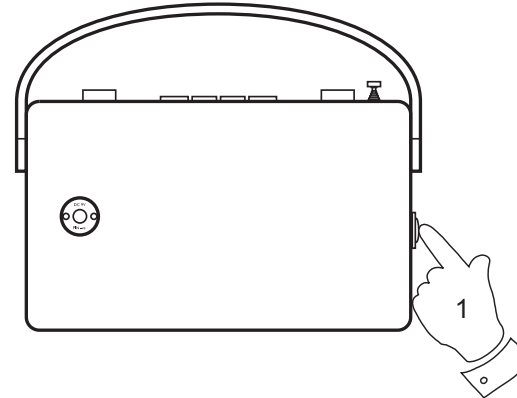


- 7. DC in socket
- 8. Telescopic aerial

## Battery operation

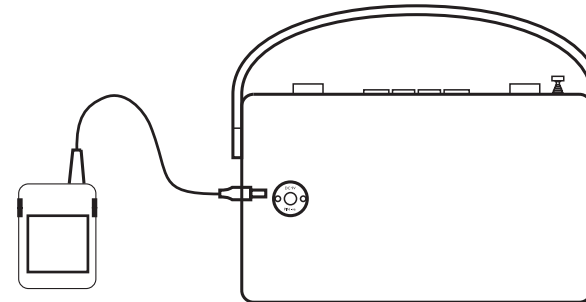
1. Release the catch securing the rear door of your radio.
2. Insert four LR20 (D size) batteries into the spaces in the compartment. Take care to ensure all batteries are inserted with the correct polarity as shown inside the battery compartment. Close the rear door and secure the catch.
3. Reduced power, distortion and a 'stuttering' sound are all signs that the batteries may need replacing.
4. If the radio is not to be used for any extended period of time it is recommended that the batteries are removed from the radio.

We would recommend for economy that the radio is used via the AC adaptor whenever possible with battery operation for occasional or stand-by use only.



## Using the AC adaptor

1. Insert the adaptor plug into the DC in socket on the rear of your radio.
2. Plug the adaptor into a standard 13A mains socket outlet. Whenever the adaptor is used the batteries are automatically disconnected. The AC adaptor should be disconnected from the mains supply and the radio when not in use.

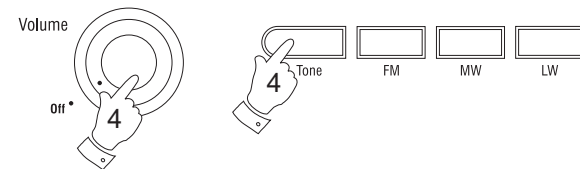
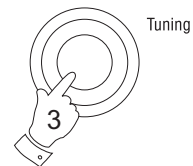
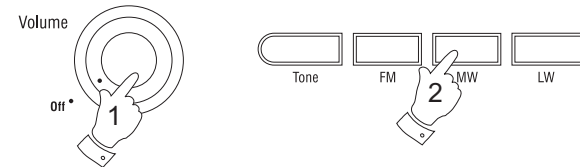


If you need any further advice, please call our Technical Helpline on :-  
020 8758 0338 (Mon-Fri)

## Radio operation

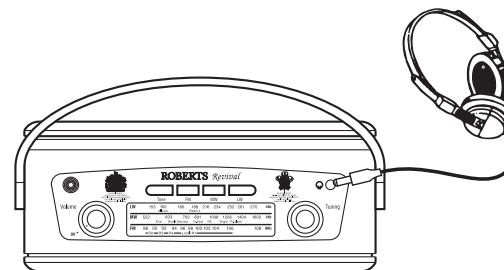
Your radio is equipped with three wavebands to enable you to select the programme of your choice. The FM band uses an external telescopic aerial which should be fully extended and rotated for best reception. MW and LW bands are received by an internal aerial which is directional. To achieve the best reception, it may be necessary to rotate the radio.

1. Switch on the radio by rotating the **volume control** clockwise until a click is heard.
2. Depress the appropriate **waveband button** for FM MW or LW as required.
3. Tune to the desired programme by adjusting **tuning control**. On MW and LW the tuning scale is marked in kilohertz (kHz) and on FM in megahertz (MHz).
4. Adjust the **volume** and **tone controls** to the desired tone and sound level. Depressing the tone control button reduces high frequencies (treble).



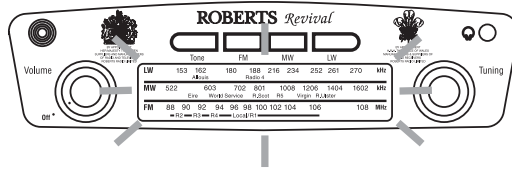
## Headphones

A 3.5mm socket is provided for use with either headphones or an earpiece. Inserting a plug automatically mutes the internal loudspeaker.



## Display backlight

1. When your radio is powered by the AC mains or the batteries the display backlight will always be switched on.



## Care

For external cleaning use only a soft clean cloth. Use a damp cloth to clean the cabinet. A mild soap will help remove grease or oil. Never use strong detergents, spray cleaners, abrasive powders, thinners or solvents as these may cause damage to the radio.

## General

Do not allow this unit to be exposed to water, steam or sand. Do not leave the unit where excessive heat could cause damage such as in a parked car where the heat from the sun can build up even though the outside temperature may not seem too high. It is recommended that the FM band be used wherever possible as better results in terms of quality and freedom from interference will usually be obtained than on the MW or LW bands.



If you need any further advice, please call our Technical Helpline on :-  
020 8758 0338 (Mon-Fri)

6

## Specifications

Mains	AC 230 volts, 50Hz $\sim$ only (adaptor)
Batteries	4 x LR20 (D size)

## Battery life

Approx. 170hrs of listening for 4 hours a day at normal volume using alkaline cells.

## Circuit features

Output power	800mW
Headphone socket	3.5mm dia
Loudspeaker	3 inches, 4 ohms

## Frequency coverage

FM	87.5 -108MHz
MW	522 - 1620kHz
LW	150 - 281kHz

The Company reserves the right to amend the specification without notice.

## Guarantee

This instrument is guaranteed for twelve months from the date of delivery to the original owner against failure due to faulty workmanship or component breakdown, subject to the procedure stated below. Should any component or part fail during this guarantee period it will be repaired or replaced free of charge.

The guarantee does not cover:

1. Damage resulting from incorrect use.
2. Consequential damage.
3. Receivers with removed or defaced serial numbers.

N.B. Damaged or broken telescopic aerials will not be replaced under guarantee.

Procedure:

Any claim under this guarantee should be made through the dealer from whom the instrument was purchased. It is likely that your Roberts dealer will be able to attend to any defect quickly and efficiently, but should it be necessary the dealer will return the instrument to the company's service department for attention. In the event that it is not possible to return the instrument to the Roberts dealer from whom it was purchased, please contact Roberts Radio Technical Services Department at the address shown on the back page of this manual before taking further action.

These statements do not affect the statutory rights of a consumer.



ROBERTS RADIO TECHNICAL SERVICES

97-99 Worton Road

Isleworth Middlesex

TW7 6EG

Technical Helpline :- 020 8758 0338 (Mon-Fri during office hours)

Issue 3





## Free Manuals Download Website

<http://myh66.com>

<http://usermanuals.us>

<http://www.somanuals.com>

<http://www.4manuals.cc>

<http://www.manual-lib.com>

<http://www.404manual.com>

<http://www.luxmanual.com>

<http://aubethermostatmanual.com>

Golf course search by state

<http://golfingnear.com>

Email search by domain

<http://emailbydomain.com>

Auto manuals search

<http://auto.somanuals.com>

TV manuals search

<http://tv.somanuals.com>