

ROBERTS

Sound for Generations

R9944

3 Band Mains Table Radio



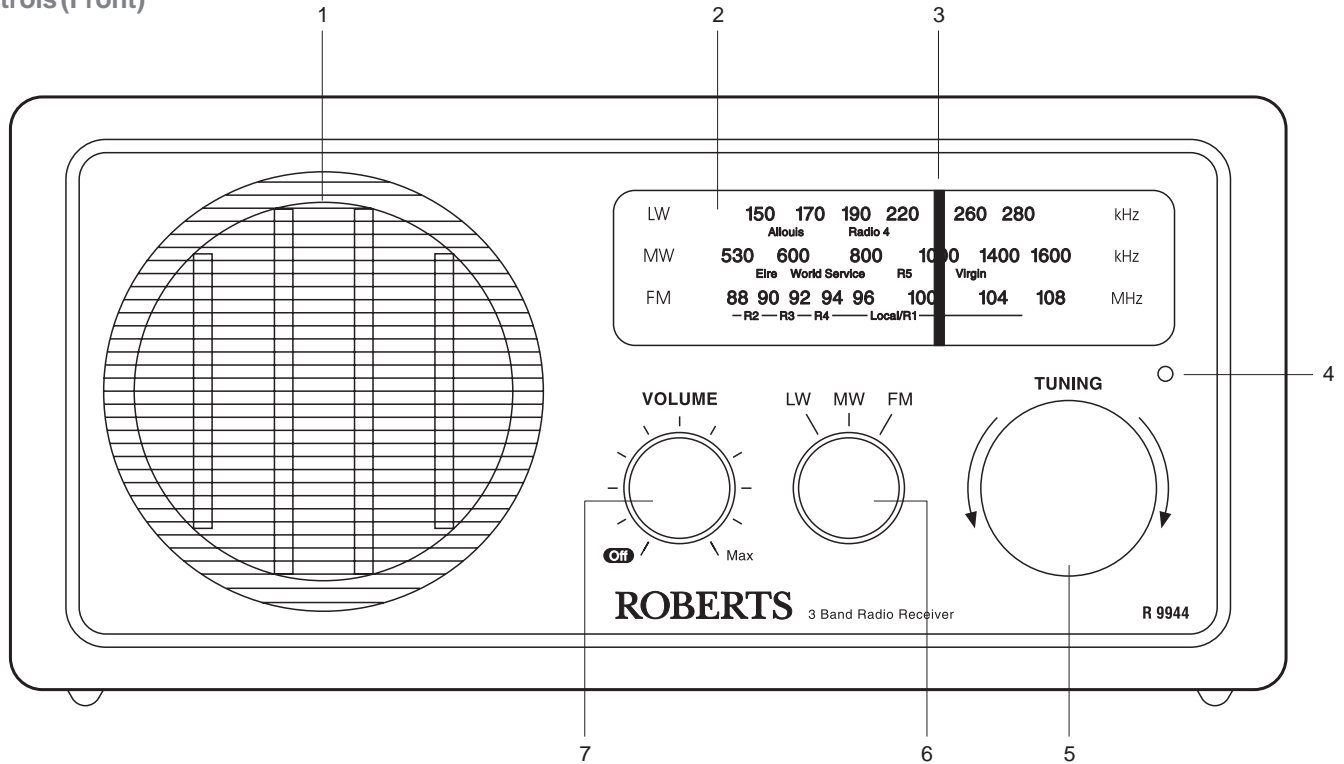
***SOUND* 44**

Please read this manual before use

Contents

<i>Important Information</i>	1
<i>Controls</i>	2-3
<i>Mains Operation</i>	4
<i>Operating your radio - FM</i>	5
<i>Operating your radio - AM (Medium and Long wave)</i>	6
<i>Headphone, Auxiliary and Record Sockets</i>	7
<i>External DC in socket</i>	7
<i>Specifications</i>	8
<i>Mains supply</i>	9
<i>Guarantee</i>	10

Controls (Front)



1. Loudspeaker

2. Dial scale

3. Dial pointer

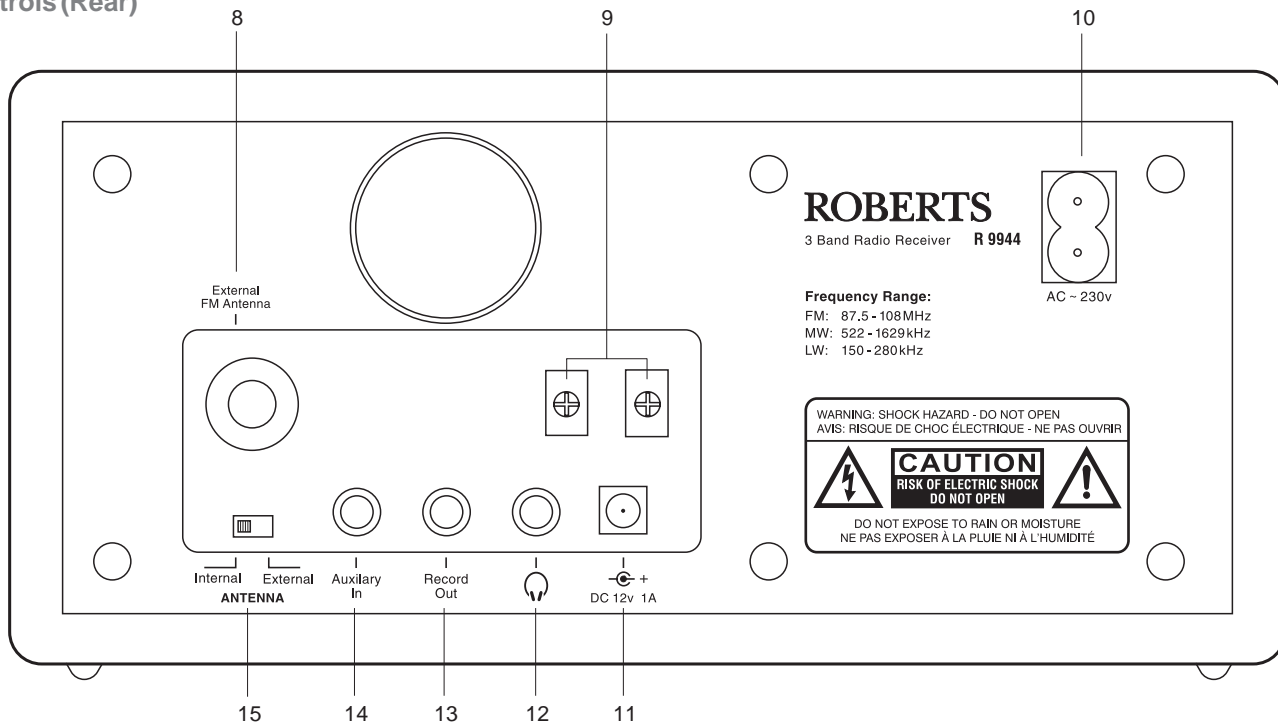
4. Tuning indicator

5. Tuning control

6. Waveband switch

7. On/Off and Volume control

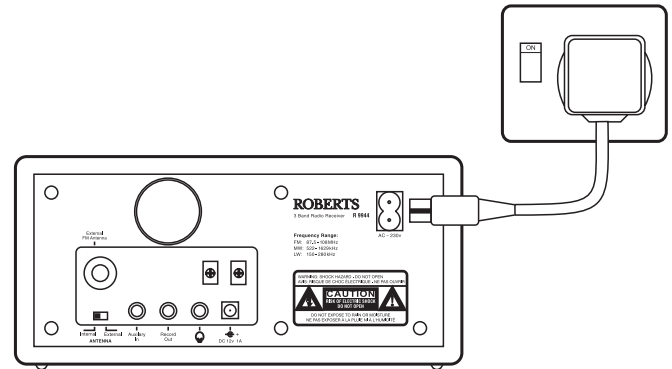
Controls (Rear)



- 8. External FM antenna socket
- 9. External AM antenna terminals
- 10. Mains socket
- 11. External DC input socket
- 12. Headphone socket
- 13. Record/Line out socket
- 14. Auxiliary/Line in socket
- 15. FM Antenna switch

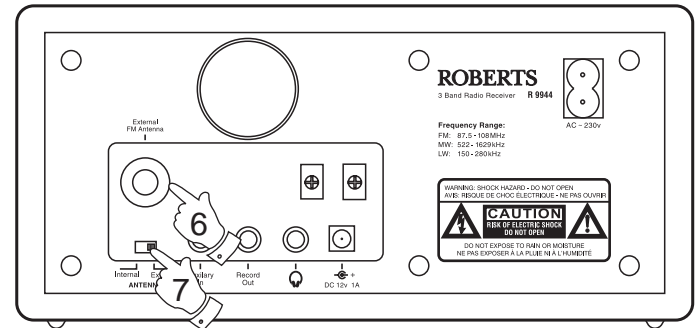
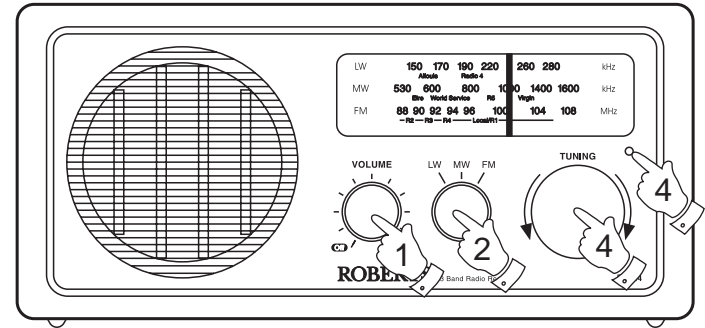
Mains operation

1. Place your radio on a flat surface.
2. Plug the mains lead into the **Mains socket** located on the rear of your radio ensuring that the plug is pushed fully into the socket.
3. Plug the other end of the mains lead into a wall socket and switch on the wall socket.



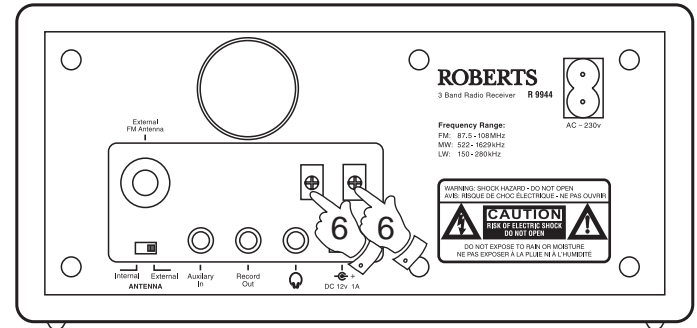
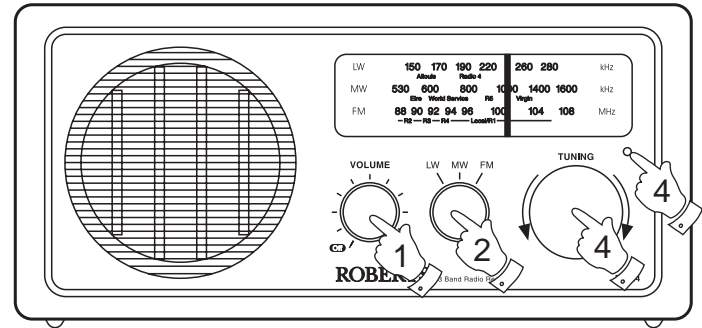
Operating your radio FM

1. Switch on your radio by rotating the **Volume control** until a click is heard.
2. Set the **Waveband switch** to the FM position.
3. Adjust the **Volume control** until a hissing sound is heard.
4. Rotate the **Tuning control** to select the desired station. The **Tuning indicator** will light when the station is correctly tuned. On FM the **Tuning scale** is marked in Megahertz (MHz).
5. Your radio is fitted with an internal FM antenna - if reception is not satisfactory an external wire antenna (supplied) may be used.
6. Fit the external wire antenna to the **FM antenna socket**.
7. Set the **Antenna switch** to the external position and position the wire antenna for best reception.
8. An external rooftop antenna may be connected to the **FM antenna socket** if required. An adaptor plug is supplied should your roof top antenna have an incorrect type of plug.
9. Your radio may be switched off by rotating the **Volume control** fully anticlockwise until a click is heard.



Operating your radio AM (Medium and Long wave)

1. Switch on your radio by rotating the **Volume control** until a click is heard.
2. Set the **Waveband switch** to the MW or LW position.
3. Adjust the **Volume control** until a hissing sound is heard.
4. Rotate the **Tuning control** to select the desired station. The **Tuning indicator** will light when the station is correctly tuned. On MW and LW the **Tuning scale** is marked in kilohertz (kHz).
5. Your radio is fitted with an internal AM (MW and LW) antenna - if reception is not satisfactory an external wire antenna may be used.
6. Fit the external wire antenna to the **AM antenna terminals**.
7. Your radio may be switched off by rotating the **Volume control** fully anticlockwise until a click is heard.



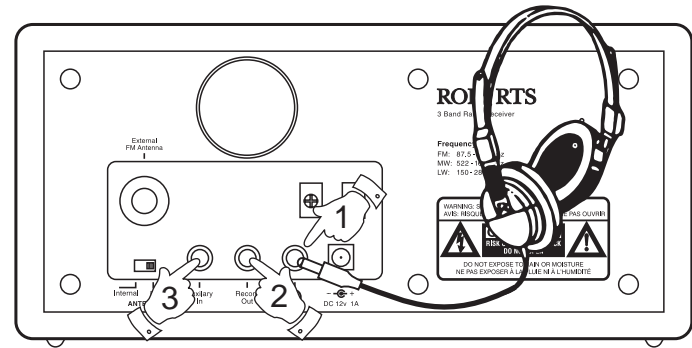
If you need any further advice, please call our Technical Helpline on :-

020 8758 0338 (Mon-Fri)

Download from www.Somanuals.com. All Manuals Search And Download.

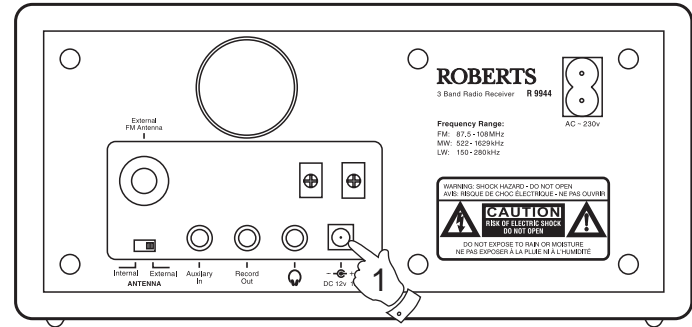
Headphone, Auxiliary and Record sockets

1. The **Headphone Socket** (3.5mm) located on the rear of your radio is for use with either headphones or an earpiece. Inserting the headphone plug automatically mutes the internal loudspeaker.
2. The **Record/Line out socket** on the rear of your radio is for use with a tape recorder/mini disc or to allow connection to line input of a Hi Fi system. The signal on the Record/Line out socket is unaffected by the volume control.
3. **The Auxiliary/Line in socket** on the rear of your radio is to allow signal from external device e.g. CD player to be fed into your radio. Inserting a plug into the Auxiliary/Line will mute the radio signal and allow playback of the external device via your radio's amplifier.




External DC in socket

1. If a 230V mains supply is not available your radio may be powered by 12V DC via the rear mounted **External DC in socket**. Your radio requires a 12V DC supply at 1A with the centre pin of the plug positive.



Specifications

Power Requirements

Mains	AC 230 volts, 50Hz  only
DC	12V DC @ 1Amp centre pin positive

Frequency Coverage

FM	87.5-108MHz
MW	522- 1629kHz
LW	144- 281kHz

Circuit Features

Loudspeaker	75mm 8ohms
Output Power	7W into 8ohms
Headphone socket	3.5mm dia mono 5mW+5mW output
Auxiliary/ Line Input socket	3.5mm dia sensitivity 150mV @47kohms
Record out socket	3.5mm dia output impedance 2.2kohms

The Company reserves the right to amend the specification without notice.

Mains supply

The R9944 will operate from a supply of AC 230 volts, 50Hz \sim only.

DO NOT cut off the mains plug from this equipment. If the plug fitted is not suitable for the power points in your home or the cable is too short to reach a power point, then obtain an appropriate safety approved extension lead or adaptor. If in doubt consult your dealer.

If nonetheless the mains plug is cut off, remove the fuse and dispose of the plug immediately to avoid a possible shock hazard by inadvertent connection to the mains supply.

If this product is not supplied with a mains plug, or one has to be fitted, then follow the instructions given below:

IMPORTANT. DO NOT make any connection to the larger terminal which is marked with the letter E or by the safety earth symbol \perp or coloured Green or Green-and-yellow.

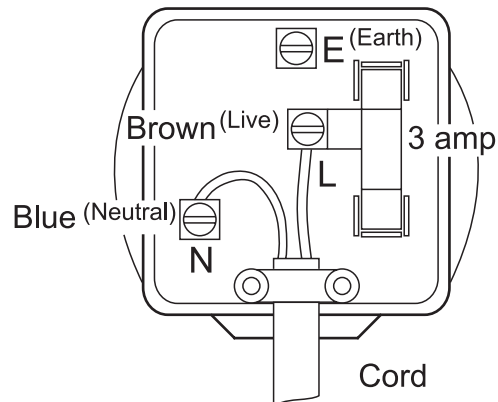
The wires in the mains lead are coloured in accordance with the following codes :-

BLUE - NEUTRAL

BROWN - LIVE

The wire coloured BLUE must be connected to the terminal marked N or coloured BLACK.

The wire coloured BROWN must be connected to the terminal marked L or coloured RED.



Fuse

When replacing the fuse only a 3A ASTA approved to BS1362 type should be used and be sure to re-fit the fuse cover.

IF IN DOUBT - CONSULT A QUALIFIED ELECTRICIAN.

Guarantee

This instrument is guaranteed for twelve months from the date of delivery to the original owner against failure due to faulty workmanship or component breakdown, subject to the procedure stated below. Should any component or part fail during this guarantee period it will be repaired or replaced free of charge.

The guarantee does not cover:

1. Damage resulting from incorrect use.
2. Consequential damage.
3. Receivers with removed or defaced serial numbers.

Procedure:

Any claim under this guarantee should be made through the dealer from whom the instrument was purchased. It is likely that your Roberts' dealer will be able to attend to any defect quickly and efficiently but should it be necessary the dealer will return the instrument to the company's service department for attention. In the event that it is not possible to return the instrument to the Roberts' dealer from whom it was purchased please contact Roberts Radio Technical Services department at the address shown on the rear of this manual before taking further action.

These statements do not affect the statutory rights of a consumer.

ROBERTS RADIO TECHNICAL SERVICES

97-99 Worton Road
Isleworth Middlesex
TW7 6EG

Issue 1

Technical Helpline:- 020 8758 0338 (*Mon-Fri*)



Free Manuals Download Website

<http://myh66.com>

<http://usermanuals.us>

<http://www.somanuals.com>

<http://www.4manuals.cc>

<http://www.manual-lib.com>

<http://www.404manual.com>

<http://www.luxmanual.com>

<http://aubethermostatmanual.com>

Golf course search by state

<http://golfingnear.com>

Email search by domain

<http://emailbydomain.com>

Auto manuals search

<http://auto.somanuals.com>

TV manuals search

<http://tv.somanuals.com>