

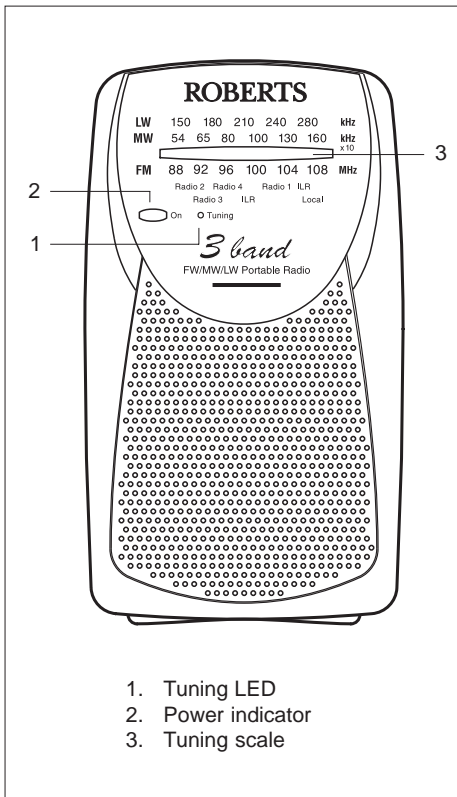
ROBERTS

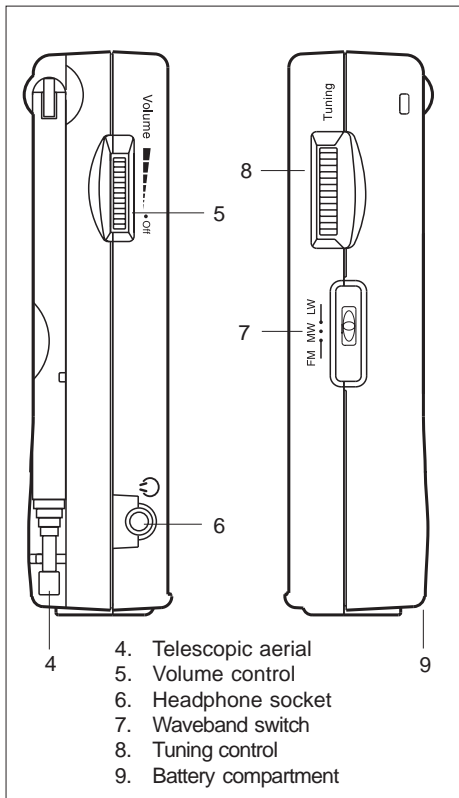
Sound for Generations



R9924 3-band battery portable radio

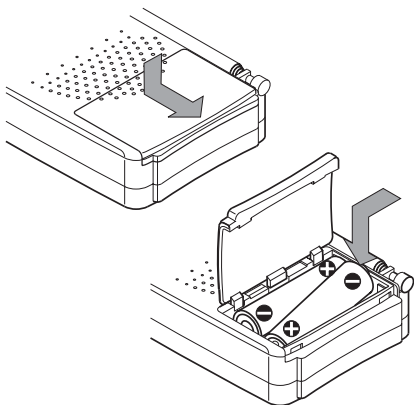
Controls





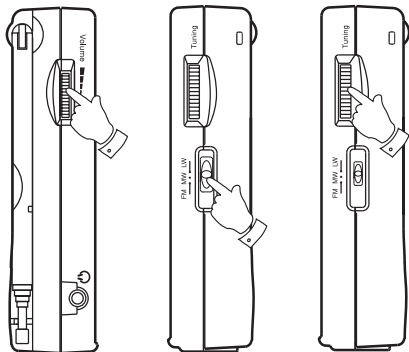
Inserting batteries

1. Open the **Battery cover** on the rear of your radio pushing the catch in and downwards just above the word 'Open'.
2. Insert two LR6 (AA size) batteries into the spaces in the compartment. Take care to ensure all batteries are inserted with the correct polarity as shown. Close the battery cover.
3. Reduced power, distortion, and a 'stuttering' sound are all signs that the batteries may need replacing.



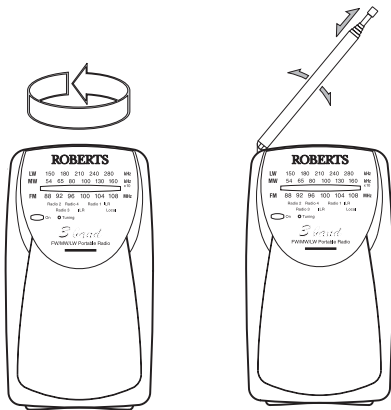
Operating your radio

1. Switch on your radio by rotating the **Volume control** clockwise until a click is heard. The **Power indicator** will appear.
2. Set the **Waveband selector** to the required waveband.
3. Adjust the **Volume control** until a hissing sound is heard.
4. Rotate the **Tuning control** to select the desired station. The **Tuning indicator** will light when the station is correctly tuned. On MW and LW the **Tuning scale** is marked in kilohertz (kHz). On FM the **Tuning scale** is marked in Megahertz (MHz)



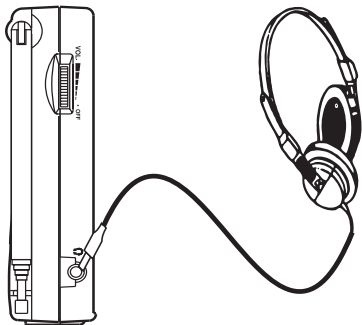
- For MW and LW reception rotate your radio to the position giving best reception.
- For FM reception fully extend the **Telescopic aerial** and then angle and rotate for best reception.
- Adjust the **Volume control** to the required sound level.
- To switch off your radio rotate the **Volume control** fully anticlockwise until a click is heard.

Note : The telescopic aerial is inoperative on MW and LW.



Headphones

1. A **Headphone Socket** (3.5mm) located on the left hand side of your radio is provided for use with either headphones or an earpiece. Inserting the headphone plug automatically mutes the internal loudspeaker.



General

Do not allow this unit to be exposed to water or steam. It is recommended that the FM band be used wherever possible as better results in terms of quality and freedom from interference will usually be obtained than on the MW or LW bands.



Specifications

Batteries

2 x LR6 (AA size)

Battery Life

Approx. 60hrs of listening for 4 hours a day at normal volume using alkaline cells.

Frequency Coverage

FM	87.5-108MHz
MW	530- 1710kHz
LW	148- 284kHz

Loudspeaker

57mm

Output Power

50 mW into 8ohms

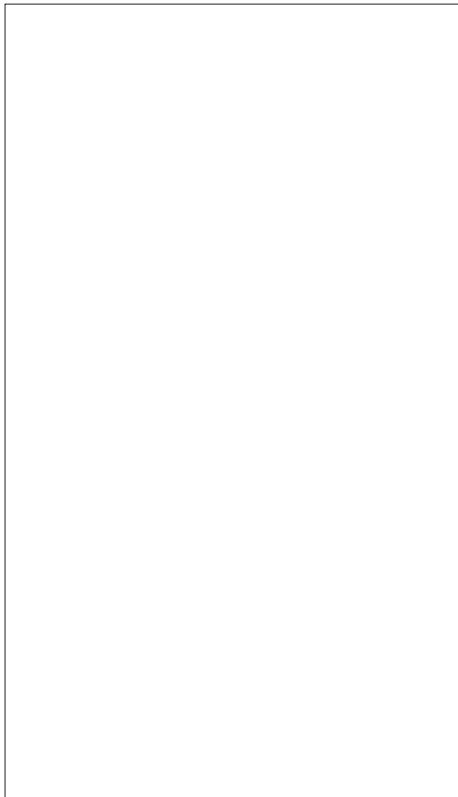
Headphone socket

3.5mm dia

Aerial System

FM	Telescopic aerial
MW	Built-in Ferrite aerial
LW	Built-in Ferrite aerial

Notes



Guarantee

This instrument is guaranteed for twelve months from the date of delivery to the original owner against failure due to faulty workmanship or component breakdown, subject to the procedure stated below. Should any component or part fail during this guarantee period it will be repaired or replaced free of charge.

The guarantee does not cover:-

1. Damage resulting from incorrect use.
2. Consequential damage.
3. Receivers with removed or defaced serial numbers.

N.B. Damaged or broken telescopic aerials will not be replaced under guarantee.

Procedure:

Any claim under this guarantee should be made through the dealer from whom the instrument was purchased. It is likely that your Roberts' dealer will be able to attend to any defect quickly and efficiently, but should it be necessary the dealer will return the instrument to the company's service department for attention. In the event that it is not possible to return the instrument to the Roberts' dealer from whom it was purchased, please contact Roberts Radio Technical Services department at the address shown on the rear of this manual before taking further action.

These statements do not affect the statutory rights of a consumer.



**ROBERTS RADIO TECHNICAL SERVICES
DEPARTMENT**

97-99 Worton Road
Isleworth Middlesex
TW7 6EG

Technical Helpline:- 020 8758 0338 (Mon-Fri)

Free Manuals Download Website

<http://myh66.com>

<http://usermanuals.us>

<http://www.somanuals.com>

<http://www.4manuals.cc>

<http://www.manual-lib.com>

<http://www.404manual.com>

<http://www.luxmanual.com>

<http://aubethermostatmanual.com>

Golf course search by state

<http://golfingnear.com>

Email search by domain

<http://emailbydomain.com>

Auto manuals search

<http://auto.somanuals.com>

TV manuals search

<http://tv.somanuals.com>