

One-year limited warranty

Visit www.rocketfishproducts.com for details.

RF-TRP65C | Rocketfish 65" Carbon Fiber Tripod Quick Setup Guide



Important safety instructions

- Make sure that all levers, handles, knobs, and leg locks are correctly tightened, and that all three legs are fully opened before use.
- Do not carry or transport the tripod with camera equipment attached (for example, over your shoulder or cradled in your arms).
- Do not store or expose your tripod to excessive heat or cold, or use near any flame or fire.
- Do not oil or grease any part of the tripod.
- Do not use any solvents or thinners to clean your tripod. Use only a mild detergent and wipe dry with only a soft, lint-free cloth.
- Do not exceed the load limit of this product. Load limit is 17.6 lbs. (8 kg).

Using your tripod

To set up your tripod:

- 1** Open the flip-lever leg locks on each leg (two per leg, for a total of six) and extend the legs to the desired length.
- 2** Close the flip-lever leg locks to lock the legs at the selected length.

Caution: Incorrectly securing a leg lock can cause the tripod leg to retract unexpectedly and could result in damage to the tripod or to the attached camera or camcorder.

- 3** Press the variable leg angle release at the top of each tripod leg to spread the legs to the first preset angle. When each leg has been locked into the first preset angle, set the tripod on a firm surface.
- 4** Adjust the center column by releasing the center column locking knob, raising the center column to the desired height, then tightening the center column's quick-release clamp knob.
- 5** To remove the mounting plate, press down on the quick-release clamp knob, then press the safety lock pin and lift the plate away from the head.
- 6** Secure your camera to the mounting plate with the 1/4" screw on the bottom of the plate. Tighten the screw firmly to avoid unintended lateral movement of your device.

Package contents

- Tripod with pan head
- Mounting plate
- **Note:** mounting plate is on pan head.
- Wrenches (2)
- Handles (2)
- Two center column end caps
- **Note:** one is already attached to the center column.
- *Quick Setup Guide*



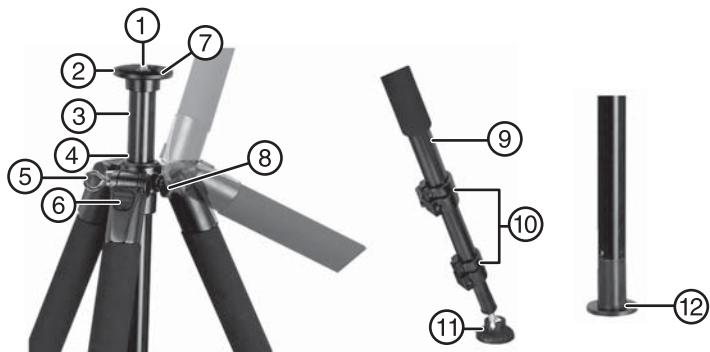
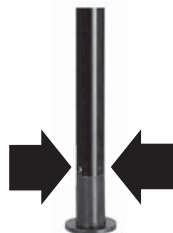
- 7 Insert the mounting plate into the tripod head and lock it into place by pressing up on the quick-release clamp knob.
- 8 Make final adjustments with the two angle adjustment knobs.

To adjust the tripod leg spread:

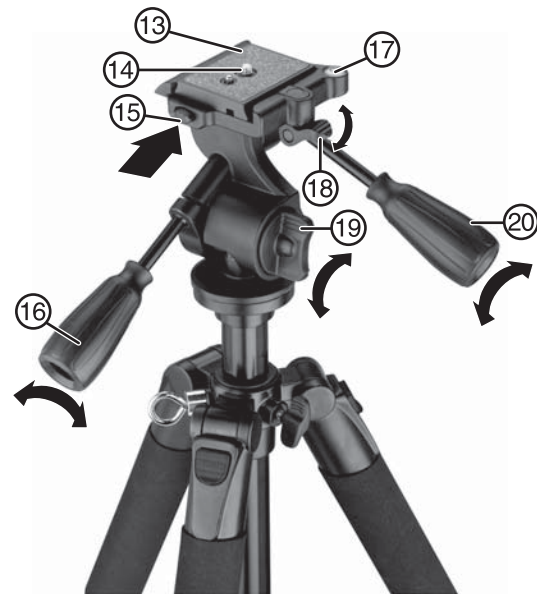
- Press down on the variable leg angle release on each leg to open the leg to the next preset angle (three available). Each leg can be adjusted over 90°.

To capture images from a low angle:

- 1 Remove the tripod head from the tripod by unscrewing it from the head mounting plate.
- 2 Remove the bottom end of the center column by pressing the two small buttons on the sides of the column while pulling the end cap away from the column.
- 3 Remove the center column from the tripod body by pulling it up and out of the tripod.
- 4 Insert the 3/8" (9.5 mm) center column end cap into the tripod body and secure it by tightening the center column locking knob.
- 5 Remount the tripod head to the head mounting plate.
- 6 Mount your device to the tripod head.
- 7 Spread the tripod legs to lower your device to the desired height.



#	Component	Description
1	3/8" screw	Thread into the bottom of the tripod head.
2	Head mounting plate	Mount the tripod head on this plate.
3	Center column	Adjustable column provides quick height adjustments.
4	Leveling bubble	Lets you level the tripod platform. The tripod platform is level when the bubble is within the circle.
5	Metal ring	Use as a hook when attached.
6	Variable leg angle release	Push downward to adjust the tripod legs to one of three preset angles.
7	Tightening screw	Use to secure the tripod head to the base.
8	Center column locking knob	Locks the center column in place.
9	Leg	Supports your tripod and device.
10	Flip-lever leg locks	Lift to adjust leg height, then close to lock.
11	Retractable spike rubber feet	Use the spike feet to prevent slipping on soft surfaces, and use the rubber feet to prevent slipping on smooth or hard surfaces. Turning the rubber feet clockwise extends the retractable spike, and turning the rubber feet counter-clockwise retracts the spike.
12	Center column end cap	Can be removed and mounted as the center column for low-angle photography. Two end caps are included with your tripod. One has a 1/4" (6.4 mm) screw for attaching your device directly to the end cap, and the other has a 1/4" (6.4 mm) screw for attaching your device to the tripod head.



#	Component	Description
13	Mounting plate	Mount your device to this plate.
14	1/4" screw	Tighten to secure your device to the mounting plate.
15	Safety lock pin	Prevents the mounting plate from accidentally falling out when the quick release clamp knob is released.
16	Angle adjustment knob	Controls the tripod head's vertical angle movement.
17	Leveling bubble	Lets you level the tripod head. The tripod head is level when the bubble is within the circle.
18	Quick-release clamp knob	Press down to unlock the mounting plate and up to lock the mounting plate.
19	Pan locking knob	Locks the horizontal movement of the head.
20	Angle adjustment knob	Controls the tripod head's horizontal angle movement.

Free Manuals Download Website

<http://myh66.com>

<http://usermanuals.us>

<http://www.somanuals.com>

<http://www.4manuals.cc>

<http://www.manual-lib.com>

<http://www.404manual.com>

<http://www.luxmanual.com>

<http://aubethermostatmanual.com>

Golf course search by state

<http://golfingnear.com>

Email search by domain

<http://emailbydomain.com>

Auto manuals search

<http://auto.somanuals.com>

TV manuals search

<http://tv.somanuals.com>