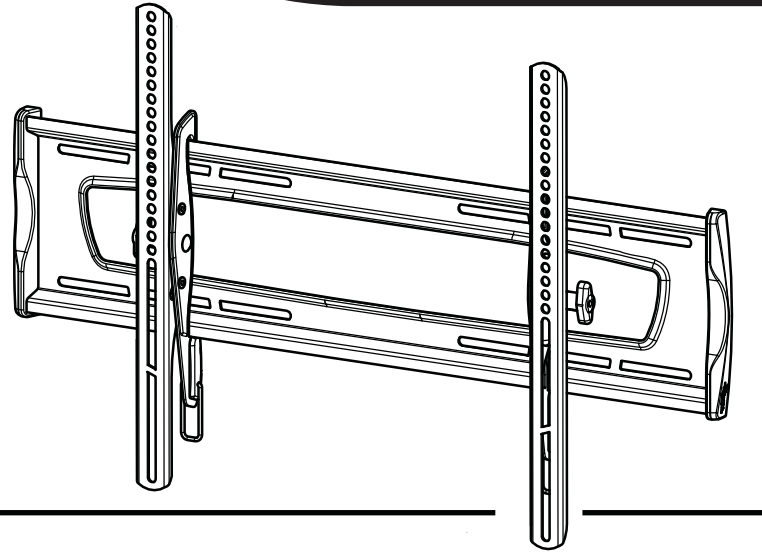


QUICK SETUP GUIDE

RF-TVMLPT03



Thank you for choosing the Rocketfish RF-TVMLPT03. The RF-TVMLPT03 TV mount is designed to support a TV weighing up to 130 lbs. (59 kg)



Package contents

- A Wall plate (1)
- B Left TV bracket (1)
- C Right TV bracket (1)

M4 bag

- D M4 x 12 mm screws (4)
- E M4 x 30 mm screws (4)
- F M4/M5 washers (8)
- G M4/M5 spacers (4)

M5 bag

- H M5 x 12 mm screws (4)
- I M5 x 30 mm screws (4)

M6 bag

- J M6 x 12 mm screws (4)
- K M6 x 20 mm screws (4)
- L M6 x 35 mm screws (4)
- M M6/M8 washers (4)
- N M6/M8 spacers (4)

M8 bag

- O M8 x 16 mm screws (4)
- P M8 x 40 mm screws (4)
- Q M8 x 60 mm screws (4)

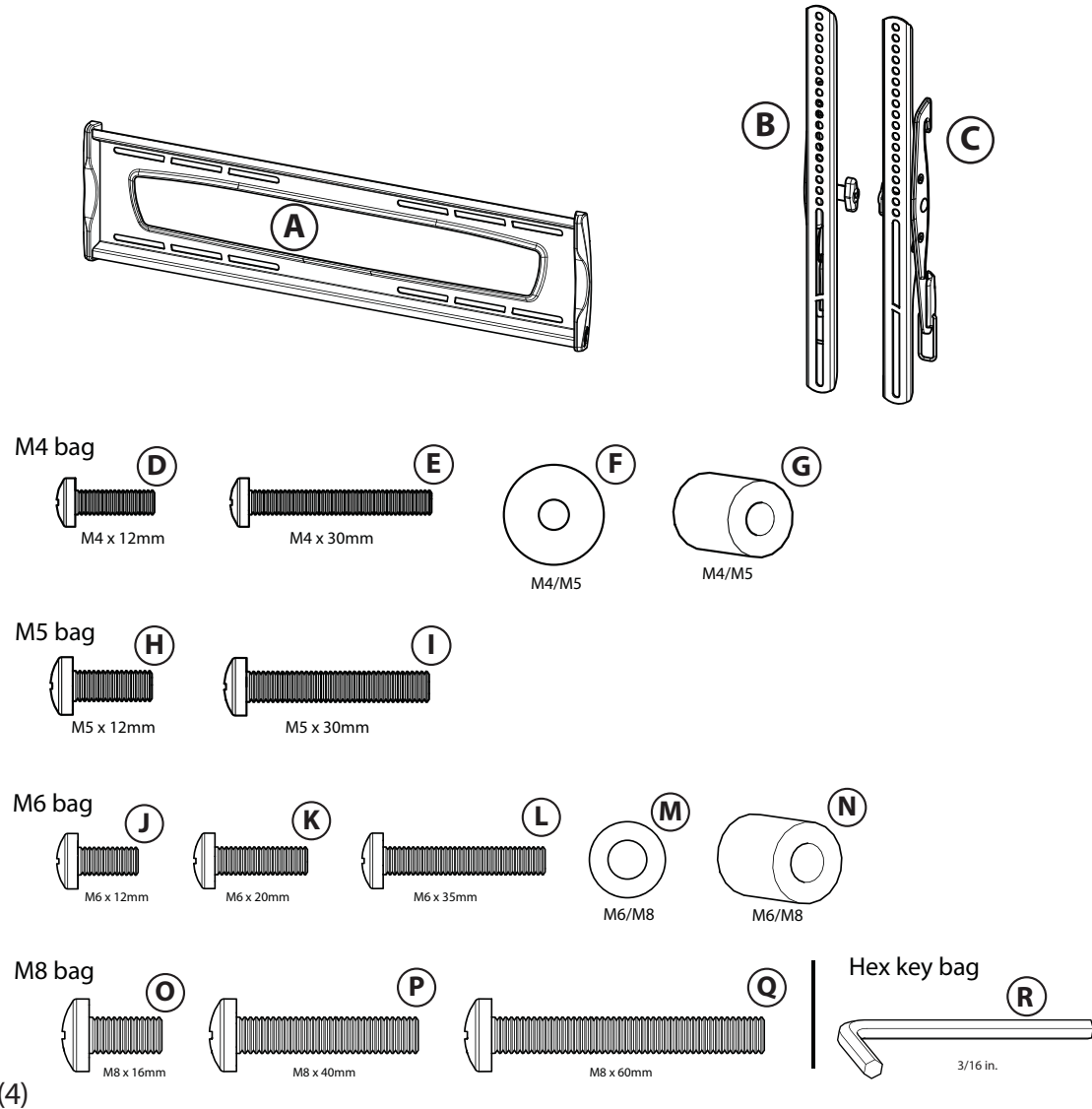
Hex key bag

- R 3/16 in. Hex Key (1)

Lag bolt bag

- S Concrete anchors (4)
- T Lag bolt washers (4)
- U 5/16 in. x 23/4 in. lag bolts (4)

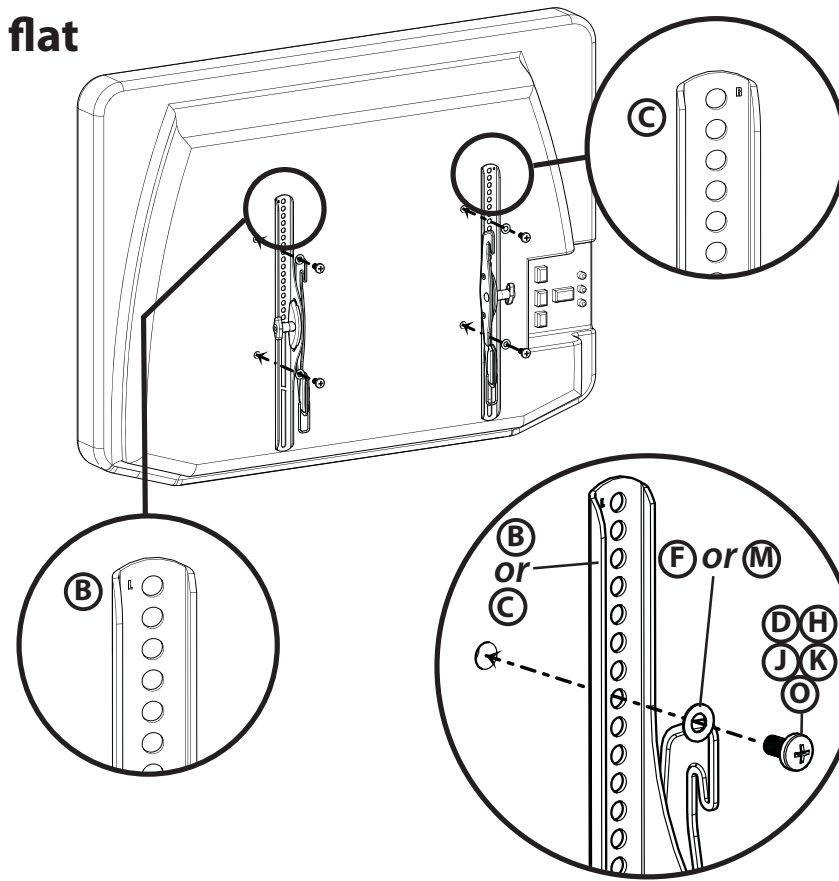
- Tools you will need:**
- Phillips screw driver
 - Stud finder
 - Awl
 - Pencil
 - Level
 - Tape measure
 - Hammer (Concrete Only)
 - 1/2 in. socket wrench
 - 3/16 in. wood drill bit
 - 3/8 in. masonry drill bit (Concrete Only)
 - Power drill



1 Attach the TV brackets

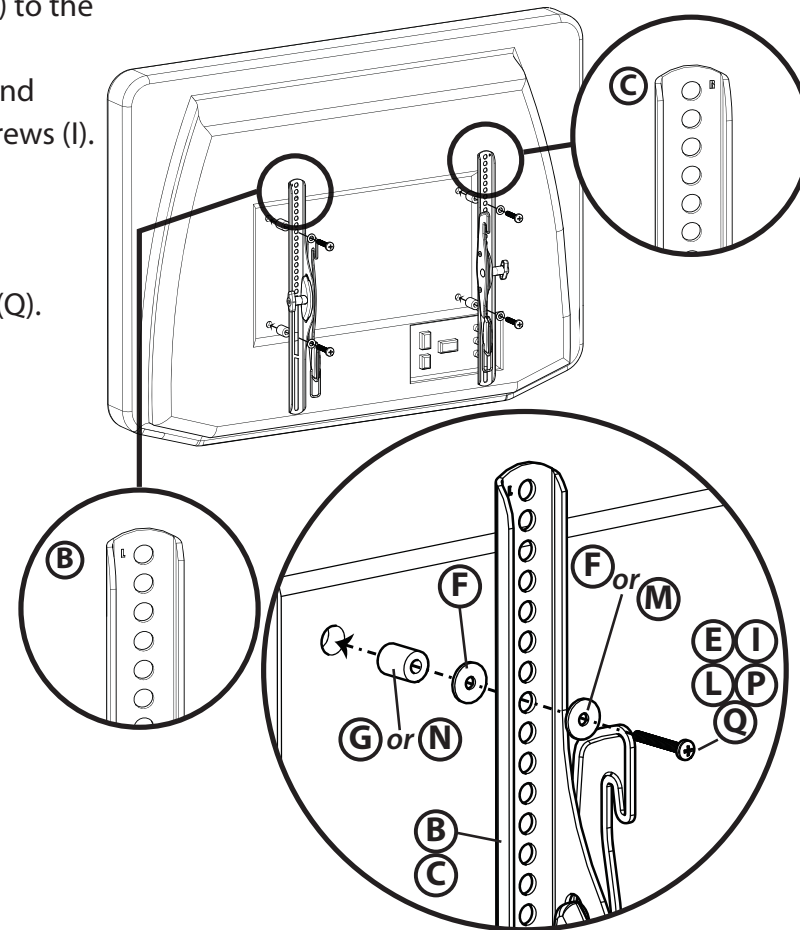
Option 1: Attaching to a flat mounting surface

Attach the left and right TV brackets (B and C) to the back of the TV using: The M4/M5 washers (F) and the M4 x 12 mm (D) or M5 x 12 mm (H) screws. Or The M6/M8 washers (M) and the M6 x 12 mm (J) screws or M6 x 20 mm (K) screws or the M8 x 16 mm (O) screws.



Option 2: Attaching to a curved or irregular mounting surface

Attach the left and right TV brackets (B and C) to the back of the TV using: The M4/M5 spacers (G), M4/M5 washers (F), and the M4 x 30 mm screws (E) or M5 x 30 mm screws (I). Or The M6/M8 spacers (N), M6/M8 washers (M), and the M6 x 35 mm screws (L) or the M8 x 40 mm (P) or M8 x 60 mm screws (Q). **Note:** Use the M4 washers (F) between the spacers and the bracket with the M4 or M5 screws only.

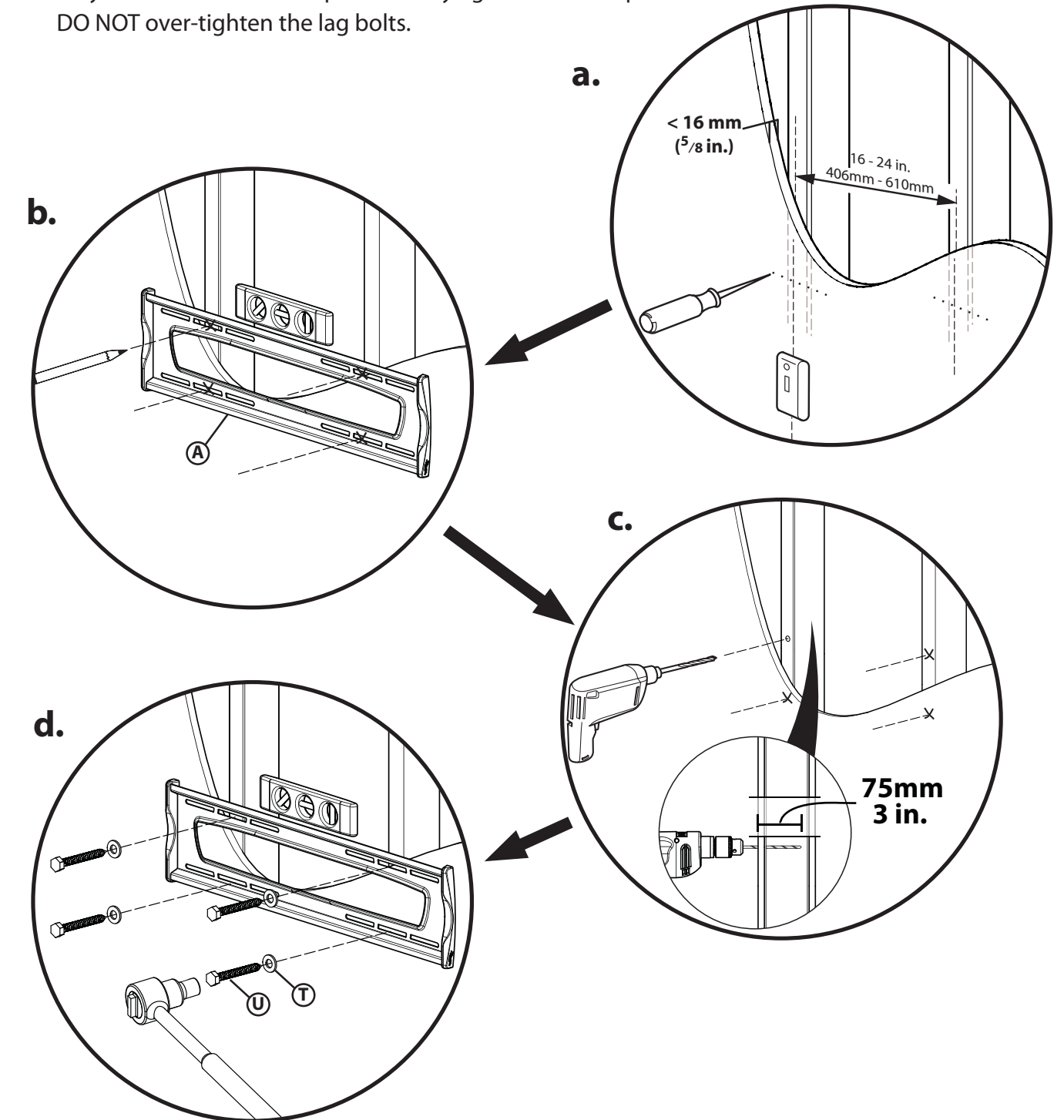


2 Install the wall plate

Option 1: Installing to a wood stud wall

Caution: Avoid potential injuries or property damage! DO NOT over-tighten the lag bolts. **Note:** Any material covering the wall must not exceed 5/8 in. (16 mm).

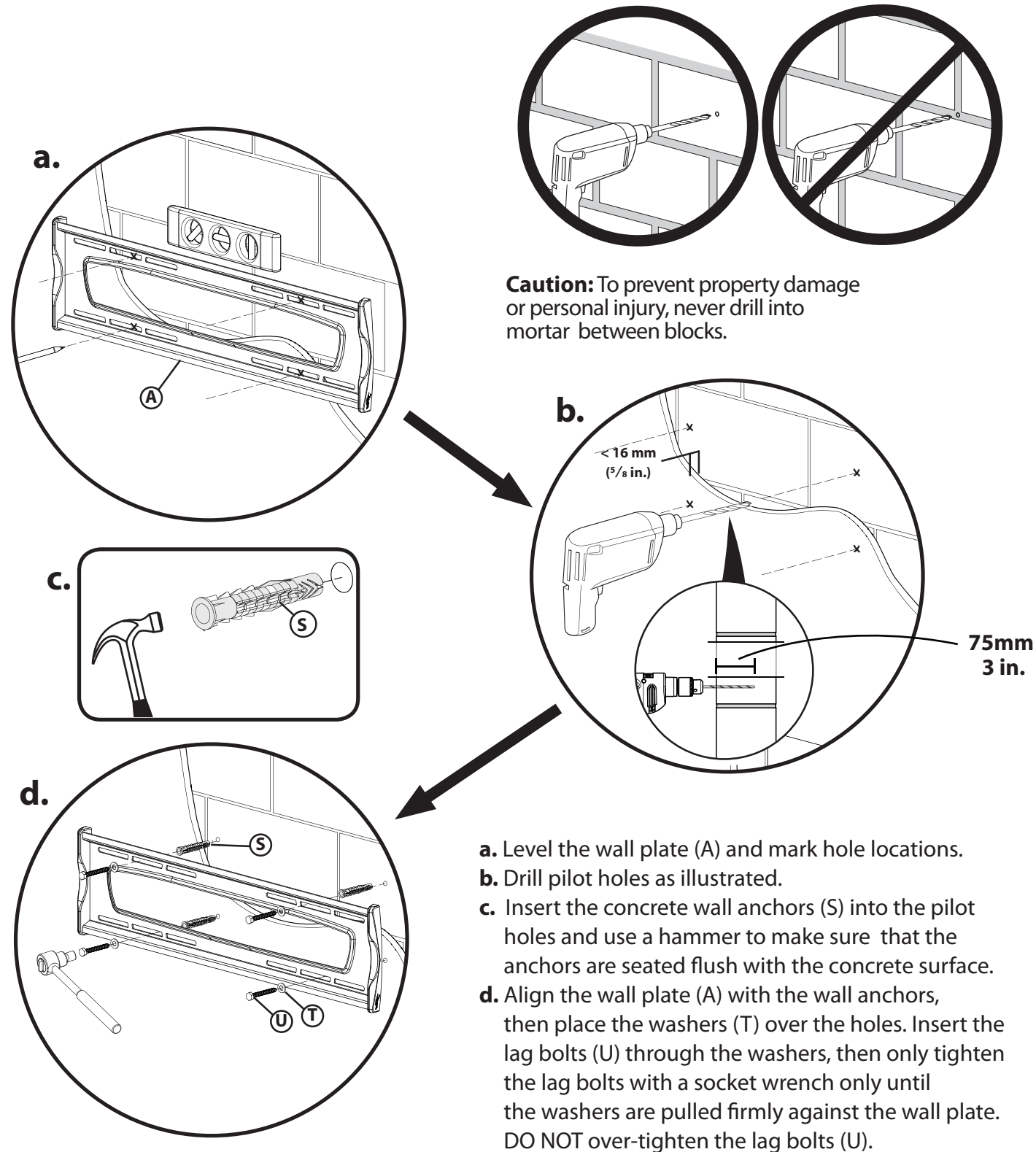
- a. Locate the studs. Verify the center of the stud with an awl or thin nail or use an edge-to-edge stud finder.
- b. Level the wall plate (A) and mark hole locations.
- c. Drill pilot holes as illustrated.
- d. Align the wall plate (A) with the pilot holes, then place the washers (T) over the holes. Insert the lag bolts (U) through the washers, then tighten the lag bolts with a socket wrench only until the washers are pulled firmly against the wall plate. DO NOT over-tighten the lag bolts.



Option 2: Installing to a solid concrete or concrete block wall

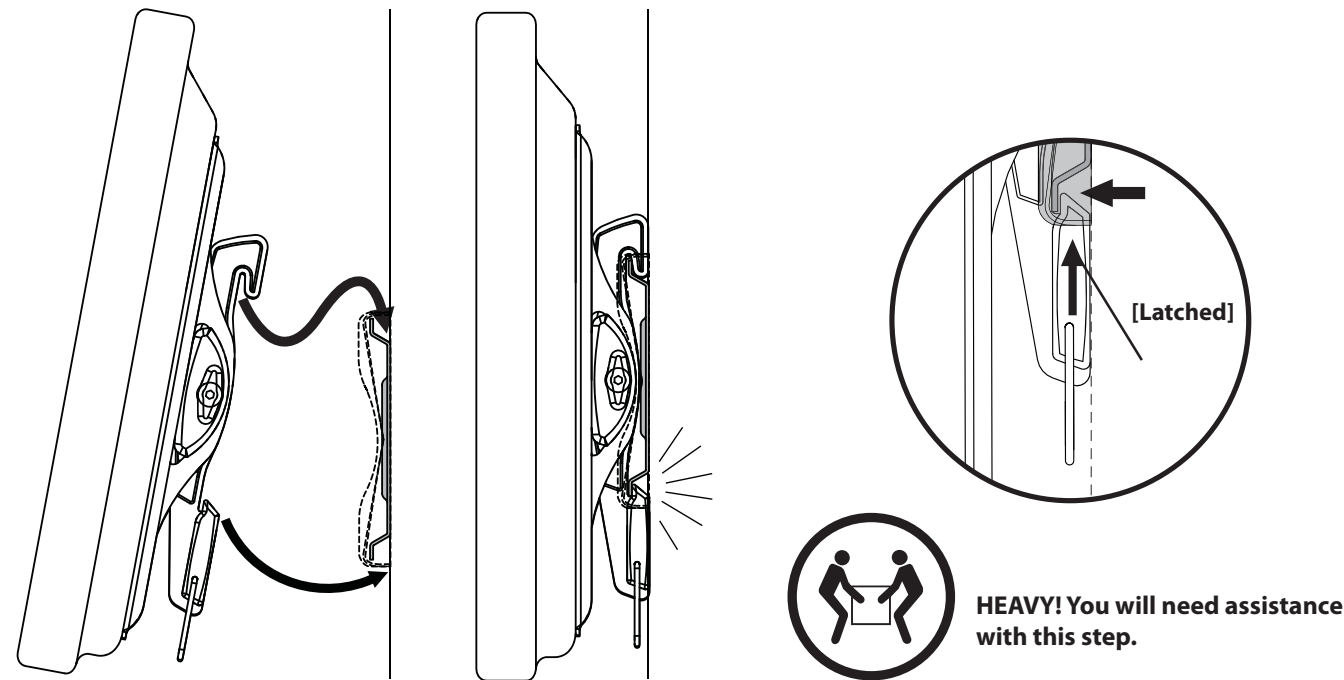
Caution: Avoid potential injuries or property damage! DO NOT over-tighten the lag bolts.

Note: Any material covering the wall must not exceed 5/8 in. (16 mm).



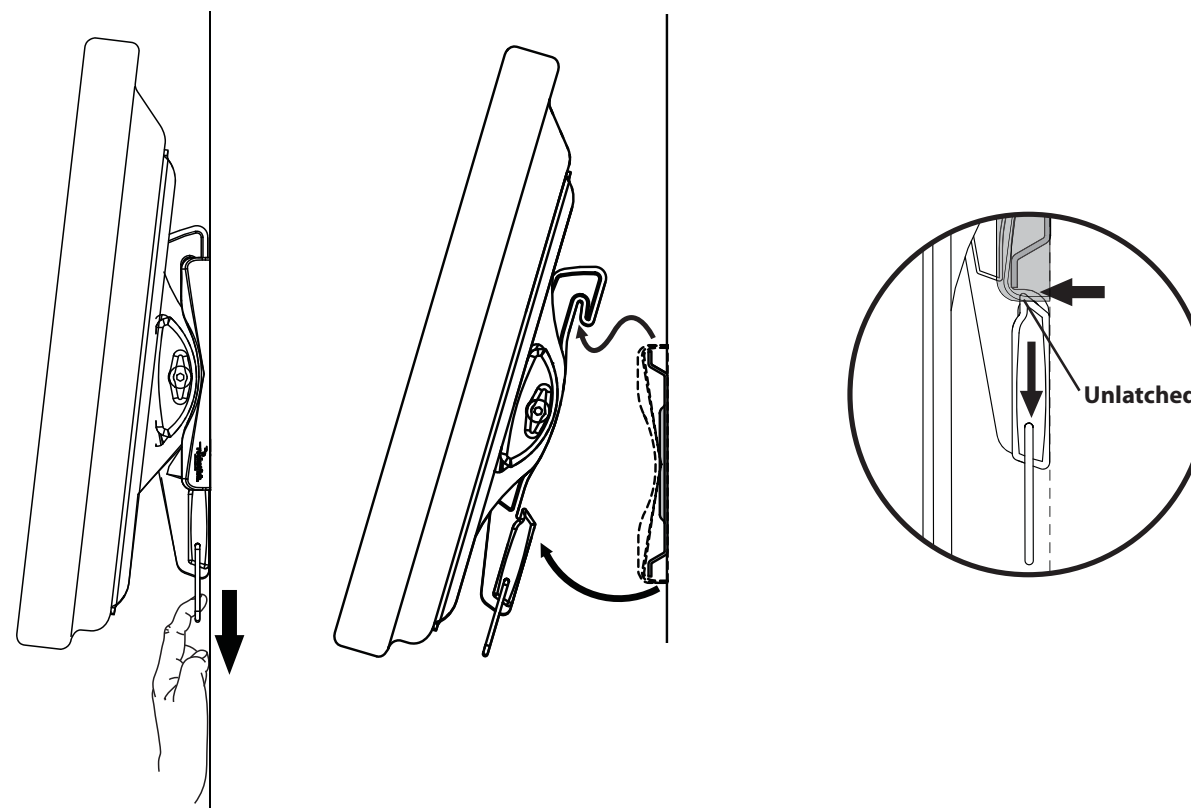
3 Mount the TV to the wall

Holding the TV with the top of the screen tilted toward the wall, slide the upper notches of the TV bracket over the upper flange of the wall plate. Then, gently lower the TV until the lock engages the lower flange of the wall plate. There will be an audible click when the TV is securely latched into place.



Remove the TV from the wall

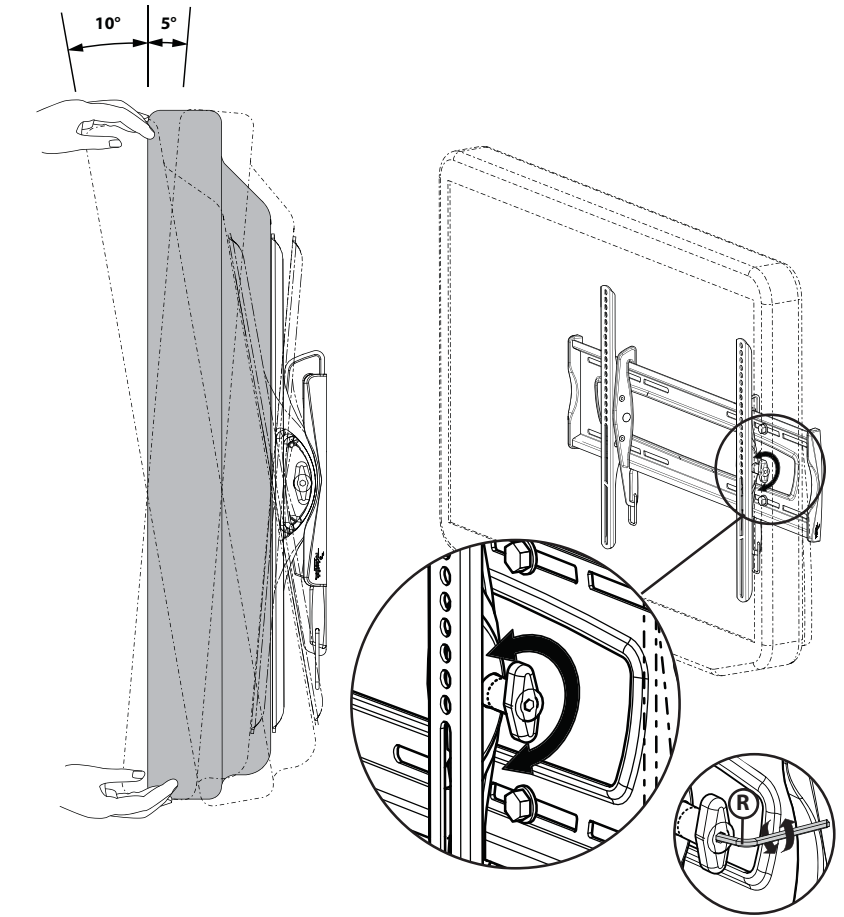
Slide the latch to the unlatched position, then lift the TV up and off the wall bracket.



4 Adjust the tilt angle (if necessary)

You can adjust the tilt angle of the screen 10° forward or 5° backward.

If necessary, the tilt tension can be adjusted by tightening or loosening the tension knob with either the hex key (R) or by hand.



IMPORTANT SAFETY INSTRUCTIONS • SAVE THESE INSTRUCTIONS

Caution: Do not use this product for any purpose not explicitly specified by Rocketfish. Improper installation may cause property damage or personal injury. If you do not understand these directions, or have doubts about the safety of the installation, contact Customer Service or call a qualified contractor. Rocketfish is not responsible for damage or injury caused by incorrect installation or use. The weight of your TV must not exceed 130 lbs. (59 kg). The wall must be capable of supporting five times the weight of the TV and wall mount combined.

This product contains small items that could be a choking hazard if swallowed. Keep these items away from young children!

5-year limited warranty

Visit www.rocketfishproducts.com for details.

We're here for you

www.rocketfishproducts.com

For customer service, call:

800-620-2790 (U.S./Canada markets)

01 800-926-3010 (Mexico market)

© 2010 BBY Solutions, Inc., All Rights Reserved.

Distributed by Best Buy Purchasing, LLC 7601 Penn Avenue South, Richfield, MN USA 55423-3645

Best Buy Imports, S. de R.L. de C.V. Av. Santa Fe 485, Segundo Piso, Colonia Cruz Manca, Programa Parcial de Desarrollo Santa Fe, Delegación Cuajimalpa, Distrito Federal, México 05349

ROCKETFISH is a trademark of BBY Solutions, Inc. Registered in some countries. All other products and brand names are trademarks of their respective owners.

Free Manuals Download Website

<http://myh66.com>

<http://usermanuals.us>

<http://www.somanuals.com>

<http://www.4manuals.cc>

<http://www.manual-lib.com>

<http://www.404manual.com>

<http://www.luxmanual.com>

<http://aubethermostatmanual.com>

Golf course search by state

<http://golfingnear.com>

Email search by domain

<http://emailbydomain.com>

Auto manuals search

<http://auto.somanuals.com>

TV manuals search

<http://tv.somanuals.com>