



700 Watt Power Supply

RF-700WPS

User Guide

Rocketfish RF-700WPS 700 Watt Power Supply

Contents

Introduction	2
Features.....	3
Installing your power supply.....	4
Specifications	6
Legal notices	7
One-Year Limited Warranty.....	9

Introduction

Thank you for choosing this RF-700WPS power supply unit (PSU). Please read this manual carefully and follow the instructions before installing the PSU.

The RF-700WPS power supply complies with the newest SSI EPS12V Version 2.91 and Intel ATX12V version 2.2 specifications. This includes four +12V output circuits that deliver safer and more reliable output to your system's components. In addition, this power supply is energy efficient, reducing power consumption by 80%. It also includes two PCI-E connectors for SLi. We have also included a variety of industrial-grade protective circuits, including the following:

- OCP (Over Current Protection)
- OPP (Over Power Protection)
- OVP (Over Voltage Protection)
- SCP (Short Circuit Protection).

Safety information

WARNING:

TO REDUCE THE RISK OF FIRE OR ELECTRIC SHOCK, DO NOT EXPOSE THIS DEVICE TO RAIN OR MOISTURE.



The lightning flash with arrowhead symbol, within an equilateral triangle is intended to alert the user to the presence of uninsulated dangerous voltage within the product's enclosure that may be of sufficient magnitude to constitute a risk of electric shock.



The exclamation point within an equilateral triangle is intended to alert the user to the presence of important operating and maintenance (servicing) instructions in the literature accompanying the appliance.

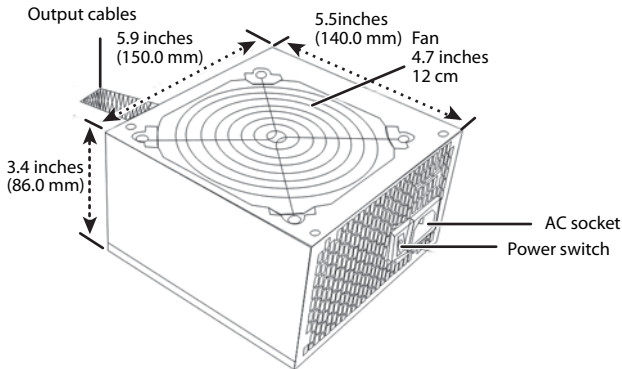
Important Safety Instructions

- 1 Do not place your system near a radiator or other heat source.
- 2 Do not place your system close to a source of strong magnetic fields.
- 3 Do not place you system in a moist or dusty environment, or in an area subject to strong vibration.
- 4 Do not place your system in direct sunlight.

Features

- Compliant with Intel ATX12V V2.2 and EPS12V V2.91 specifications
- Active Power Factor Correction
- SLi ready
- Supports Intel and AMD Dual- and Multi-core processors
- Four +12V output rails
- 80% efficiency performance
- Higher reliability and built-in protection circuits (OCP, OVP, OLP, and SCP) and line input fuse protection
- Easily moveable connector

- FAN speed auto-controlled by a thermal sensor inside the power supply
- 100% Hi-pot and burn-in tested
- Supports 12-16 SCSI hard drives
- Components include:



Installing your power supply

To make sure you connect your power supply correctly, check your motherboard and graphics card manuals for compatibility before connecting RF-700WPS to any of your devices.

To install your power supply:

- 1 Check your local AC voltage before installation (115 VAC voltage is for USA, Japan, and so on, and 230 VAC voltage is for Europe, South East Asia, and many other countries).

Caution:

Be sure to connect the PSU (Power Supply Unit) to local input AC voltage only. Setting the incorrect voltage can damage the power supply and connected equipment, and may void your warranty. The RF-700WPS is compatible with 115VAC and 230VAC input voltage.

- 2 Turn off your computer, then unplug the power cord from your old power supply.
- 3 Open your computer case following the directions provided in your case manual.

- 4 Disconnect all PSU connectors from the motherboard and the peripherals devices such as case fans, HDD, FDD, DVD, CD-ROM, and so on.
- 5 Remove the old power supply from your computer case and install your new Rocketfish power supply.
- 6 Connect the 24-pin Main Power Connector to your motherboard.

Note:

Use 24-pin to 20-pin adaptor if your motherboard requires 20-pin power connector.

- 7 Connect the Serial ATA connectors to the peripheral devices.
- 8 Connect the peripheral 4-pin power connectors if you are still using an IDE connector for hard drives or a DVD/CD drive.
- 9 Connect the PCI Express power connector to your PCI Express graphics cards, as needed.
- 10 Connect your case fans to the regular 4-pin peripheral connectors if you are using these fans.

Caution:

Make sure that all connectors are correctly connected. Incorrect connection could prevent your computer from booting and some components might even be damaged.

- 11 Close your computer case and connect the AC power cord to the power supply.

Booting your system

To boot your system:

- 1 Turn on the power supply by setting the I/O switch on the power supply to the "I" position.
- 2 Turn on your computer by pushing the power button on the front of your system.

Specifications

Input

Voltage	USA, Japan, and others: 115 Vac Europe, South East Asia, and others: 230 Vac
Frequency	60 Hz-50 Hz
Current	10 A (max.) at 115 Vac/60 Hz 7 A (max.) at 230 Vac/50 Hz

Parameter	Minimum	Nominal	Maximum	Units
Vin (115 VAC)	90	115	132	VRMS
Vin (230 VAC)	180	230	264	VRMS
Vin frequency	47	---	63	Hz

Output

Voltage	Range	Min.	Nom.	Max.	Ripple	Noise
+12 V1	±5%	+11.4	+12.00	+12.60	120 mV	200 mV
+12 V2	±5%	+11.4	+12.00	+12.60	120 mV	200 mV
+12 V3	±5%	+11.4	+12.00	+12.60	120 mV	200 mV
+12 V4	±5%	+11.4	+12.00	+12.60	120 mV	200 mV
+5 V	±5%	+4.75	+5.00	+5.25	50 mV	100 mV
+3.3 V	±5%	+3.14	+3.30	+3.47	50 mV	100 mV
-12 V	±10%	-10.80	-10.80	-13.20	120 mV	200 mV
+5 Vsb	±5%	+4.75	+4.75	+5.25	50 mV	100 mV

DC output power distribution

- Maximum output: 700 Watts
- Combined 3.3 V and 5 V: 170 Watts
- Maximum combined current for the +12V1, +12V2, +12V3, and +12V4 is 41 A.
- Dimensions:
 - 5.5 × 3.4 × 5.9 inches (W × H × L)
 - 150 × 86 × 140 mm (W × H × L)

Legal notices

FCC compliance

This device complies with Part 15 of FCC rules. Operation is subject to the following two conditions:

1. This device may not cause harmful interference, and
2. This device must accept any interference received, including interference that may cause undesired operation.

FCC warning

Changes or modifications not expressly approved by the party responsible for compliance with the FCC Rules could void the user's authority to operate this equipment.

Copyright

© 2008 Rocketfish. Rocketfish and the Rocketfish logo are trademarks of Best Buy Enterprise Services, Inc. Other brands and product names are trademarks or registered trademarks of their respective holders. Specifications and features are subject to change without notice or obligation.

For service and support call 1-800-620-2790.

One-Year Limited Warranty

Rocketfish Products ("Rocketfish") warrants to you, the original purchaser of this new **RF-700WPS** ("Product"), that the Product shall be free of defects in the original manufacture of the material or workmanship for one (1) year from the purchase of the Product ("Warranty Period"). This Product must be purchased from an authorized dealer of Rocketfish brand products and packaged with this warranty statement. This warranty does not cover refurbished Product. If you notify Rocketfish during the Warranty Period of a defect covered by this warranty that requires service, terms of this warranty apply.

How long does the coverage last?

The Warranty Period lasts for one year (365 days), beginning on the date you purchased the Product. The purchase date is printed on the receipt you received with the product.

What does this warranty cover?

During the Warranty Period, if the original manufacture of the material or workmanship of the Product is determined to be defective by an authorized Rocketfish repair center or store personnel, Rocketfish will (at its sole option): (1) repair the Product with new or rebuilt parts; or (2) replace the Product at no charge with new or rebuilt comparable products or parts. Products and parts replaced under this warranty become the property of Rocketfish and are not returned to you. If service of Products and parts are required after the Warranty Period expires, you must pay all labor and parts charges. This warranty lasts as long as you own your Rocketfish Product during the Warranty Period. Warranty coverage terminates if you sell or otherwise transfer the Product.

How to obtain warranty service?

If you purchased the Product at a retail store location, take your original receipt and the Product to the store you purchased it from. Make sure that you place the Product in its original packaging or packaging that provides the same amount of protection as the original packaging. If you purchased the Product from an online web site, mail your original receipt and the Product to the address listed on the web site. Make sure that you put the Product in its original packaging or packaging that provides the same amount of protection as the original packaging.

Where is the warranty valid?

This warranty is valid only to the original purchaser of the Product in the United States, Canada, and Mexico.

What does the warranty not cover?

This warranty does not cover:

- Customer instruction
- Installation
- Set up adjustments
- Cosmetic damage

- Damage due to acts of God, such as lightning strikes
- Accident
- Misuse
- Abuse
- Negligence
- Commercial use
- Modification of any part of the Product, including the antenna

This warranty also does not cover:

- Damage due to incorrect operation or maintenance
- Connection to an incorrect voltage supply
- Attempted repair by anyone other than a facility authorized by Rocketfish to service the Product
- Products sold as is or with all faults
- Consumables, such as fuses or batteries
- Products where the factory applied serial number has been altered or removed

REPAIR REPLACEMENT AS PROVIDED UNDER THIS WARRANTY IS YOUR EXCLUSIVE REMEDY. ROCKETFISH SHALL NOT BE LIABLE FOR ANY INCIDENTAL OR CONSEQUENTIAL DAMAGES FOR THE BREACH OF ANY EXPRESS OR IMPLIED WARRANTY ON THIS PRODUCT, INCLUDING, BUT NOT LIMITED TO, LOST DATA, LOSS OF USE OF YOUR PRODUCT, LOST BUSINESS OR LOST PROFITS. ROCKETFISH PRODUCTS MAKES NO OTHER EXPRESS WARRANTIES WITH RESPECT TO THE PRODUCT, ALL EXPRESS AND IMPLIED WARRANTIES FOR THE PRODUCT, INCLUDING, BUT NOT LIMITED TO, ANY IMPLIED WARRANTIES OF AND CONDITIONS OF MERCHANTABILITY AND FITNESS FOR A PARTICULAR PURPOSE, ARE LIMITED IN DURATION TO THE WARRANTY PERIOD SET FORTH ABOVE AND NO WARRANTIES, WHETHER EXPRESS OR IMPLIED, WILL APPLY AFTER THE WARRANTY PERIOD. SOME STATES, PROVINCES AND JURISDICTIONS DO NOT ALLOW LIMITATIONS ON HOW LONG AN IMPLIED WARRANTY LASTS, SO THE ABOVE LIMITATION MAY NOT APPLY TO YOU. THIS WARRANTY GIVES YOU SPECIFIC LEGAL RIGHTS, AND YOU MAY ALSO HAVE OTHER RIGHTS, WHICH VARY FROM STATE TO STATE OR PROVINCE TO PROVINCE.

Contact Rocketfish:

For customer service please call 1-800-620-2790
www.rocketfishproducts.com

Distributed by Best Buy Purchasing, LLC
 7601 Penn Avenue South, Richfield, Minnesota, U.S.A. 55423-3645
 © 2008 Best Buy Enterprise Services, Inc.

All rights reserved. ROCKETFISH is a trademark of Best Buy Enterprise Services, Inc. Registered in some countries. All other products and brand names are trademarks of their respective owners.

www.rocketfishproducts.com (800) 620-2790

Distributed by Best Buy Purchasing, LLC

7601 Penn Avenue South, Richfield, MN 55423-3645 USA

© 2008 Best Buy Enterprise Services, Inc.

All rights reserved. ROCKETFISH is a trademark of Best Buy Enterprise Services, Inc.

All other products and brand names are trademarks of their respective owners.



ENGLISH
08-1732

Free Manuals Download Website

<http://myh66.com>

<http://usermanuals.us>

<http://www.somanuals.com>

<http://www.4manuals.cc>

<http://www.manual-lib.com>

<http://www.404manual.com>

<http://www.luxmanual.com>

<http://aubethermostatmanual.com>

Golf course search by state

<http://golfingnear.com>

Email search by domain

<http://emailbydomain.com>

Auto manuals search

<http://auto.somanuals.com>

TV manuals search

<http://tv.somanuals.com>