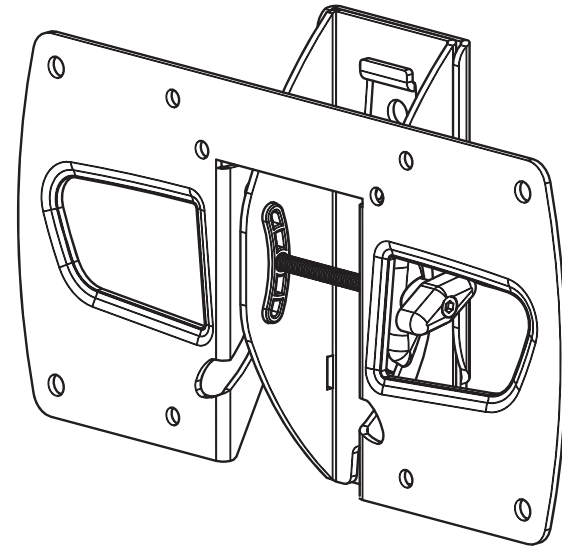


QUICK SETUP GUIDE

RF-TVMLPT01



Thank you for choosing the Rocketfish RF-TVMLPT01. The RF-TVMLPT01 TV mount is designed to support a TV weighing up to 50 lbs. (22.7 kg).



Package contents

- A TV bracket (1)
- B Wall plate (1)

M4 bag

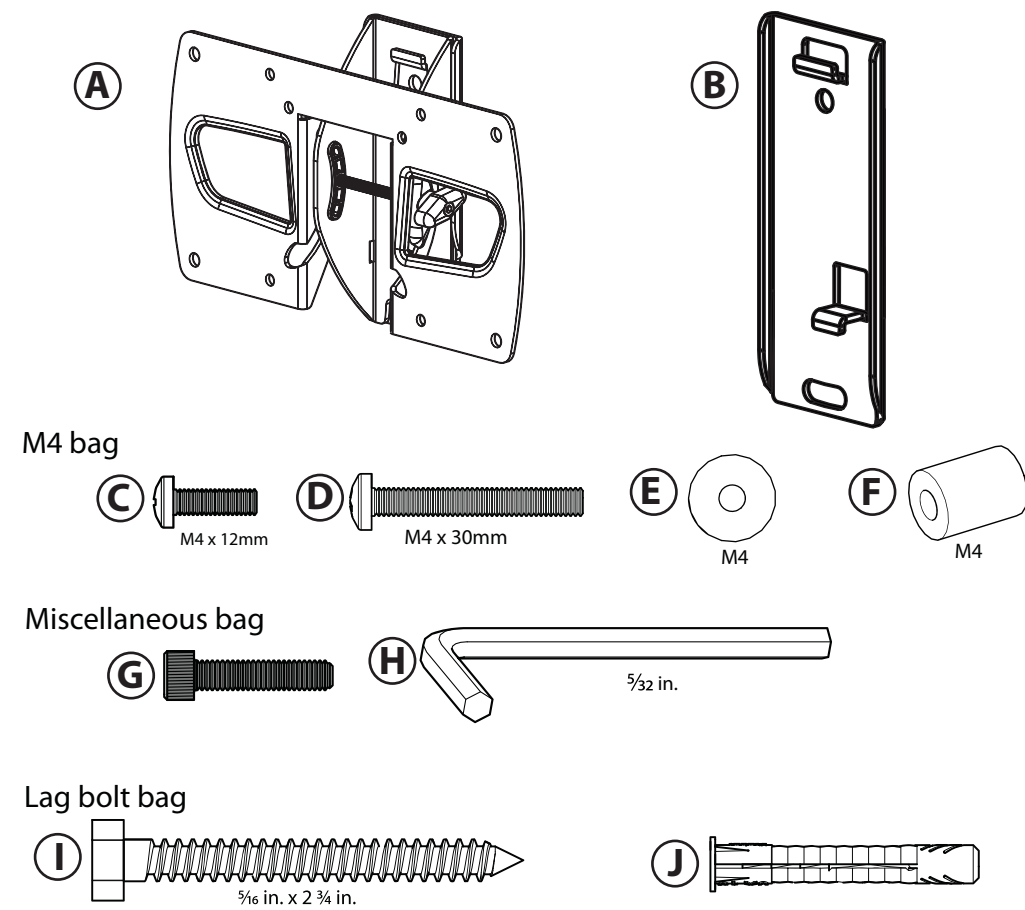
- C M4 x 12 mm screws (4)
- D M4 x 30 mm screws (4)
- E M4 washers (4)
- F M4 spacers (4)

Miscellaneous bag

- G Locking screw (1)
- H 5/32 in. hex key (1)

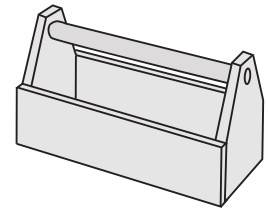
Lag bolt bag

- I 5/16 in. x 2 3/4 in. lag bolts (2)
- J Concrete anchors (2)



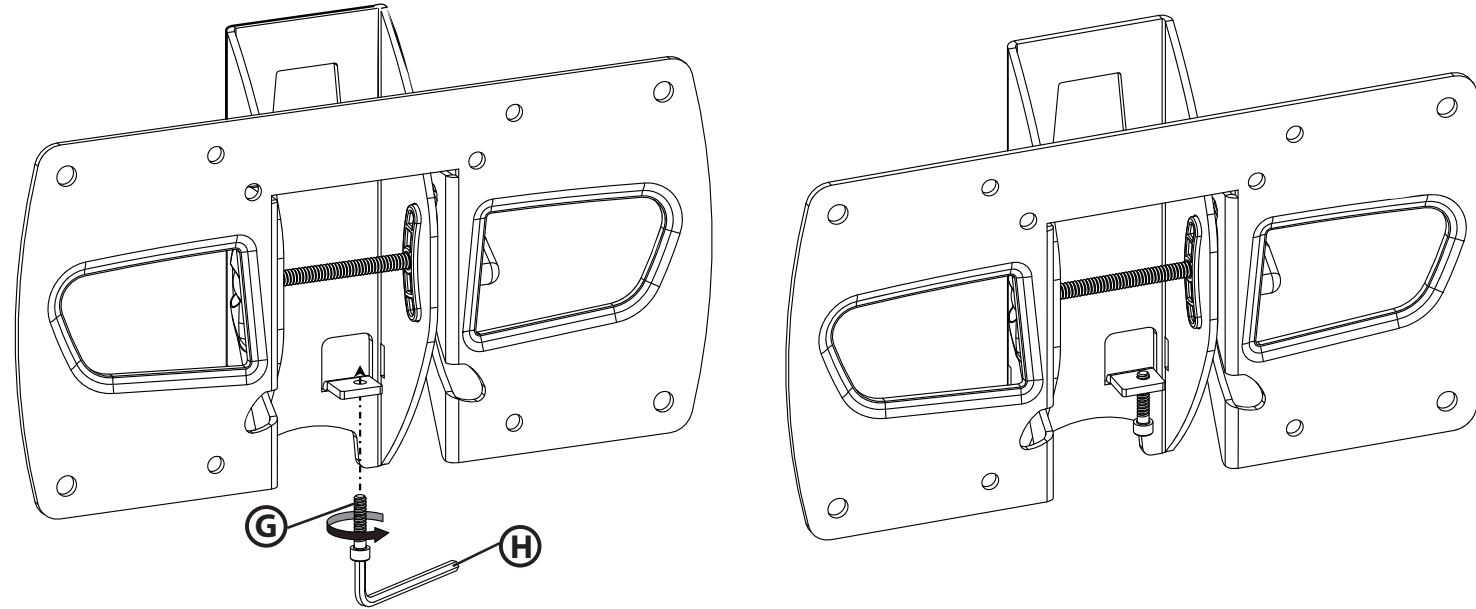
Tools you will need:

- Stud finder
- Awl
- Level
- Pencil
- Hammer (Concrete Only)
- Tape measure
- Power drill
- 3/16 in. wood drill bit
- 3/8 in. masonry drill bit (Concrete Only)
- Socket wrench with 1/2 in. socket or adjustable wrench
- Phillips screwdriver



1 Install locking screw

Install the TV bracket locking screw (G) into the TV bracket (A) using the hex key (H). Do not screw in more than three or four turns.

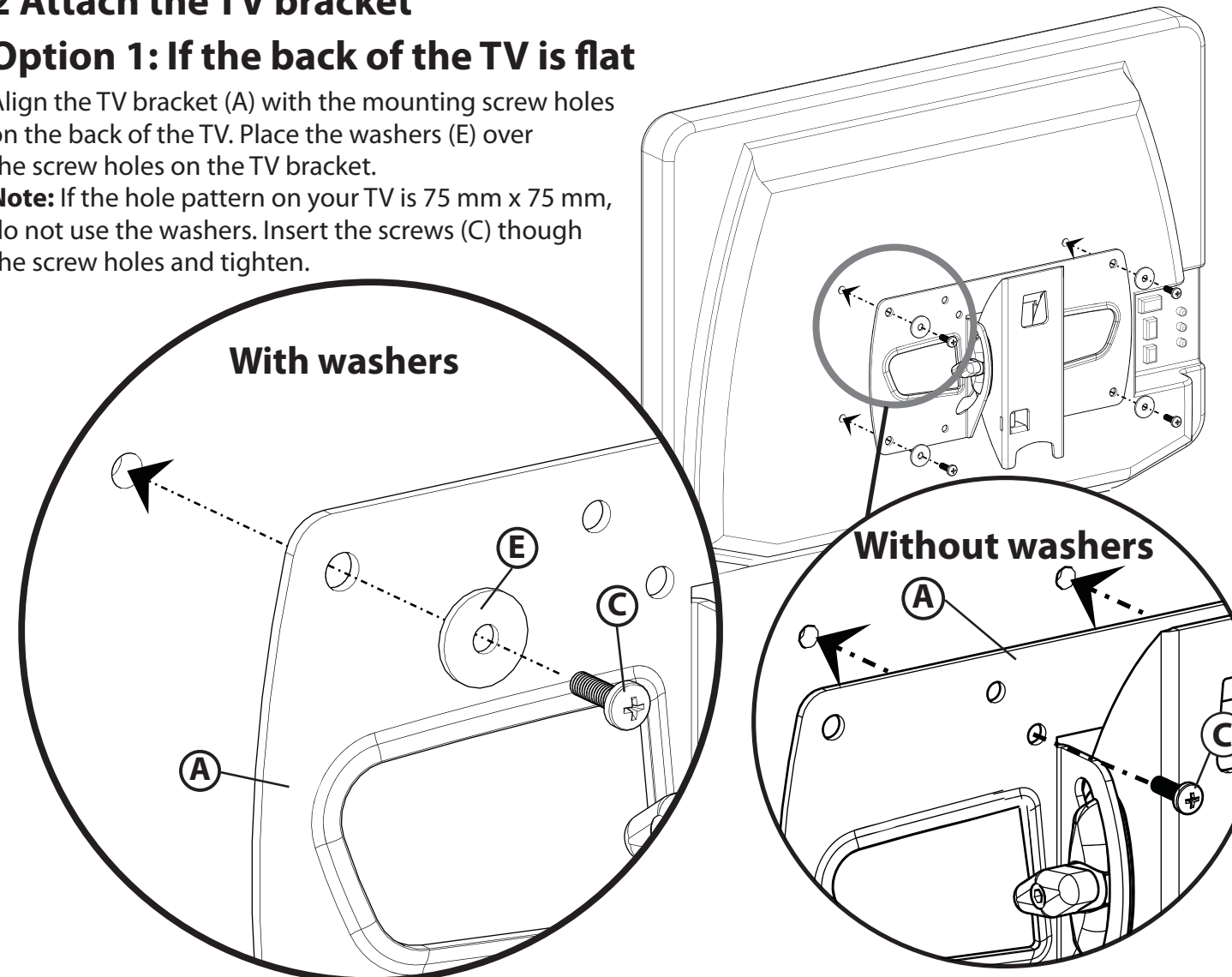


2 Attach the TV bracket

Option 1: If the back of the TV is flat

Align the TV bracket (A) with the mounting screw holes on the back of the TV. Place the washers (E) over the screw holes on the TV bracket.

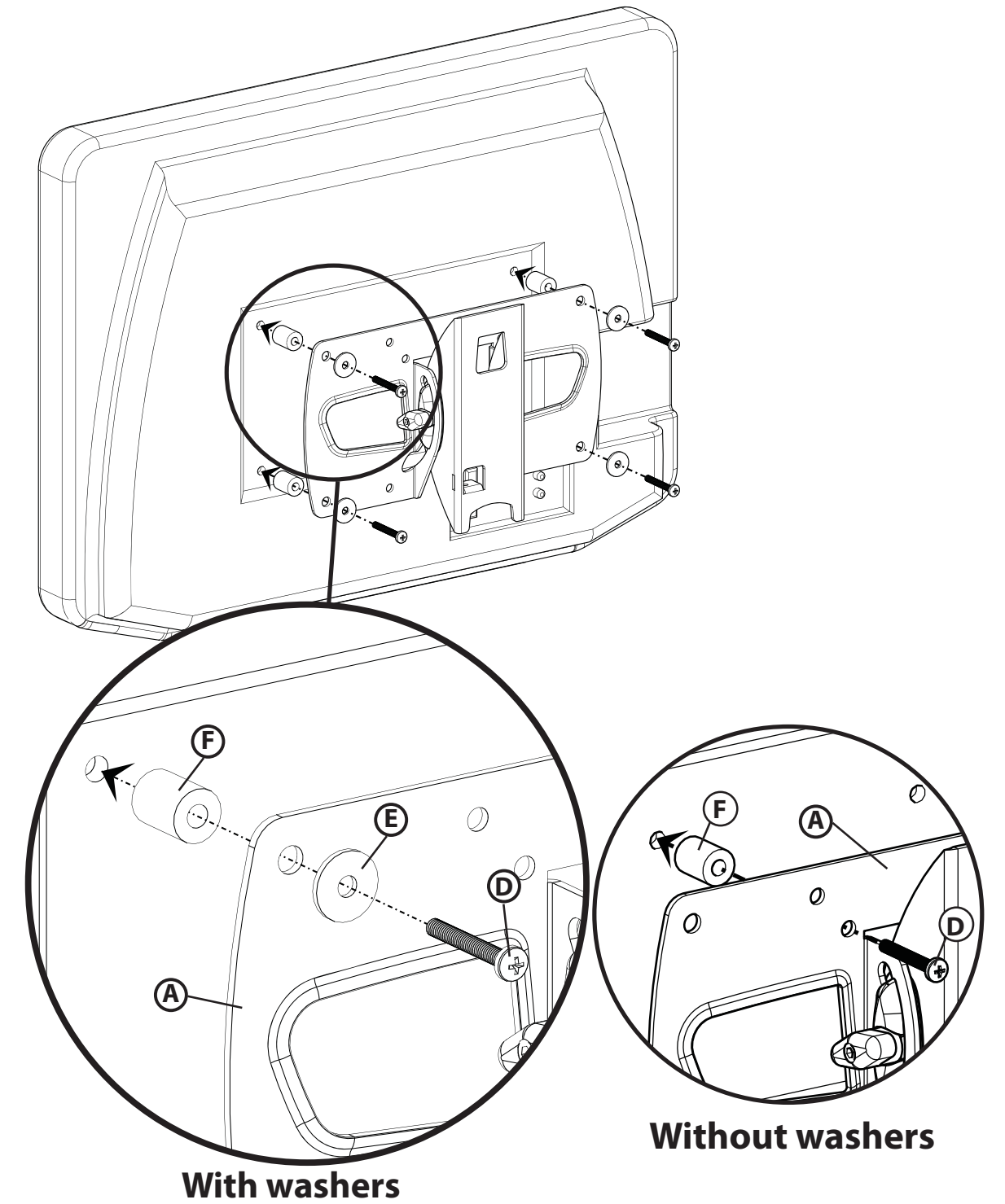
Note: If the hole pattern on your TV is 75 mm x 75 mm, do not use the washers. Insert the screws (C) through the screw holes and tighten.



Option 2: If the back of the TV is curved or to make room for cables

Attach the TV bracket [A] to the back of the TV using the washers (E), the spacers (F), and the screws (D).

Note: If the hole pattern on your TV is 75mm x 75mm the washers(E) will not be used.



3 Install the wall plate

Option 1: Installing to a wood stud wall

Caution: Avoid potential injuries or property damage!
DO NOT over-tighten the lag bolts.

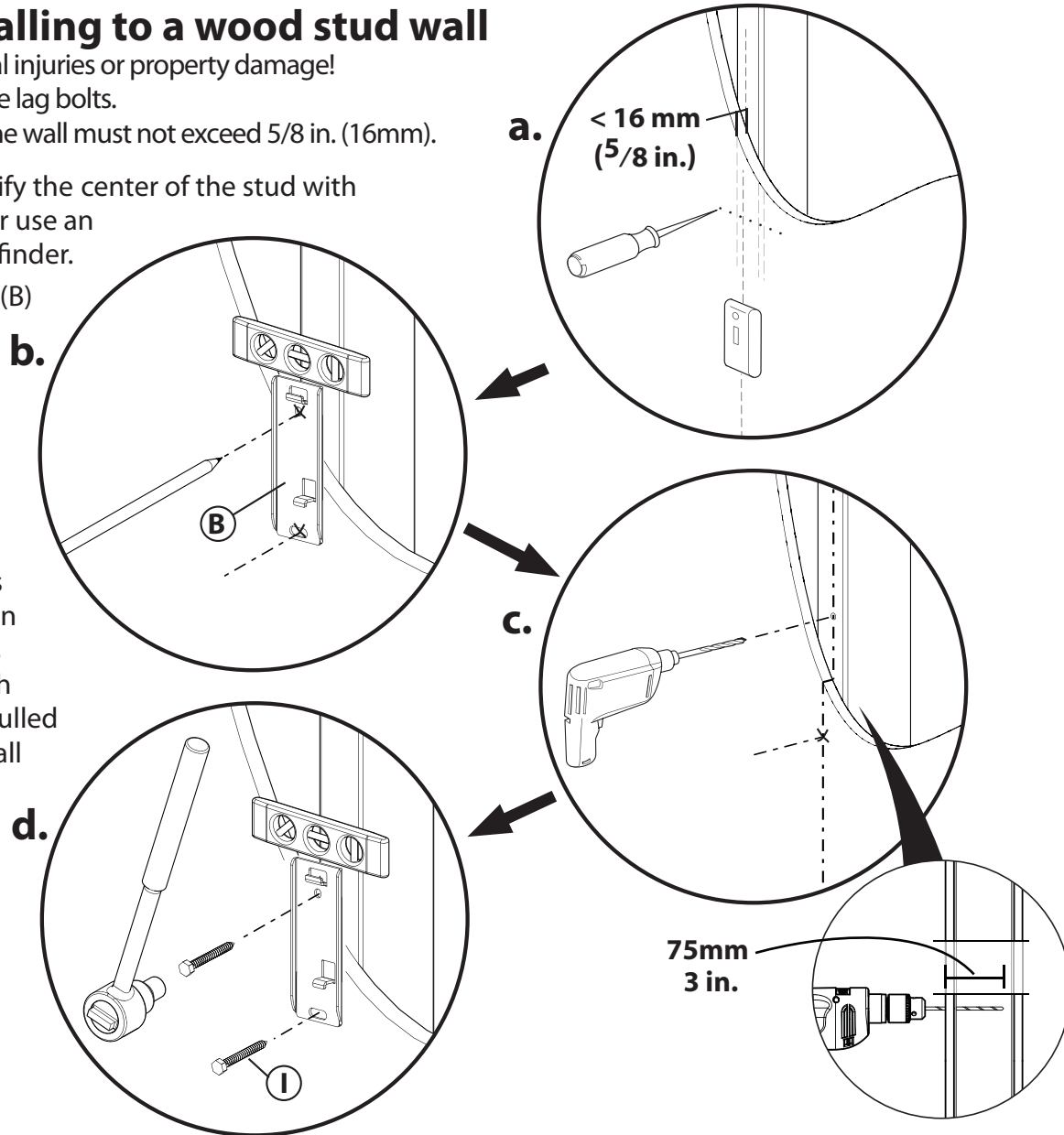
Any material covering the wall must not exceed 5/8 in. (16mm).

a. Locate the stud. Verify the center of the stud with an awl or thin nail or use an edge-to-edge stud finder.

b. Level the wall plate (B) and mark the hole locations.

c. Drill the pilot holes as illustrated.

d. Align the wall plate with the pilot holes, insert the lag bolts (I) through the holes in the wall plate, then tighten the lag bolts with a socket wrench only until they are pulled firmly against the wall plate.



Option 2: Installing to a solid concrete or concrete block wall

Caution: Avoid potential injuries or property damage! DO NOT over-tighten the lag bolts.

Any material covering the wall must not exceed 5/8 in. (16mm).

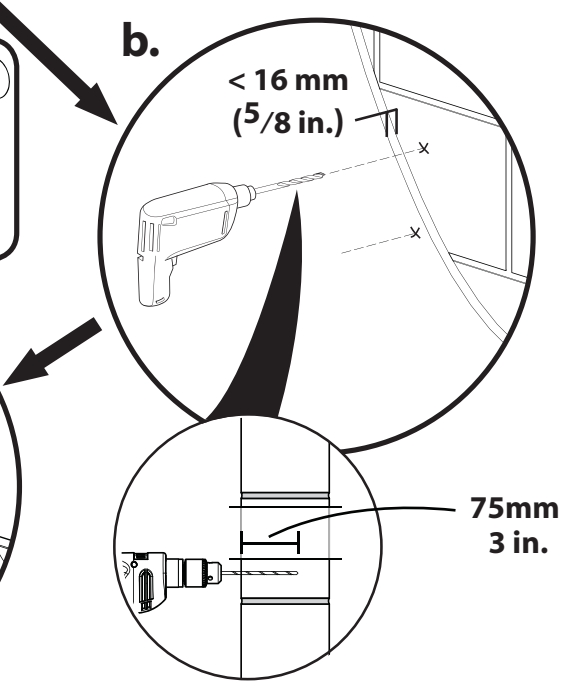
a. Level the wall plate (B) and mark the hole locations.



Caution: To prevent property damage or personal injury, never drill into mortar between blocks.

c. Insert the concrete wall anchors (J) into the pilot holes and use a hammer to make sure that the anchors are seated flush with the concrete surface.

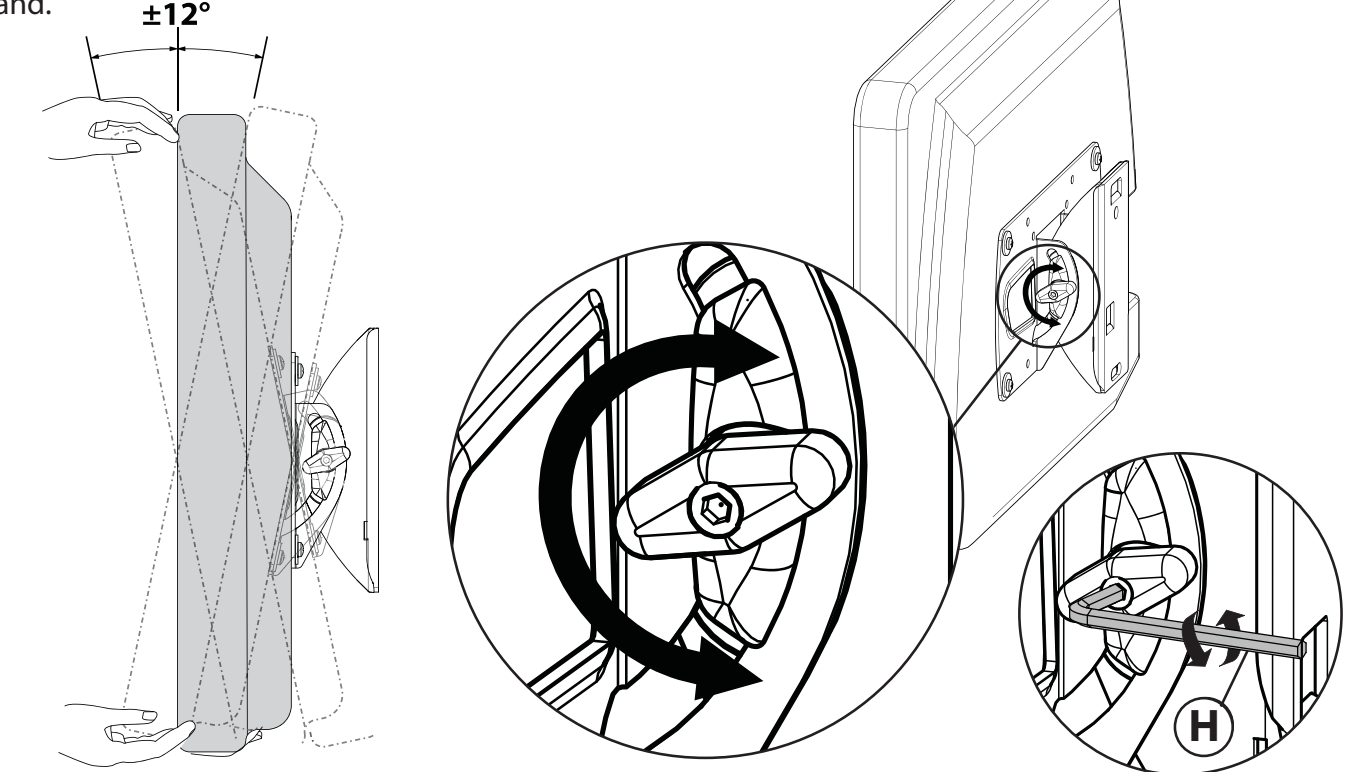
d. Align the wall plate with the anchors, insert the lag bolts (I) through the holes in the wall plate, then tighten the lag bolts with the socket wrench only until they are pulled firmly against the wall plate.



5 Adjust the tilt angle (if necessary)

You can adjust the tilt angle of the screen $\pm 12^\circ$.

If necessary, the tilt tension can be adjusted by tightening or loosening the tension knob with either the hex key (H) or by hand.



IMPORTANT SAFETY INSTRUCTIONS • SAVE THESE INSTRUCTIONS

Caution: Do not use this product for any purpose not explicitly specified by Rocketfish. Improper installation may cause property damage or personal injury. If you do not understand these directions, or have doubts about the safety of the installation, contact Customer Service or call a qualified contractor. Rocketfish is not responsible for damage or injury caused by incorrect installation or use. The weight of your TV must not exceed 50 lb (22.7 kg). The wall must be capable of supporting five times the weight of the TV and wall mount combined.

This product contains small items that could be a choking hazard if swallowed. Keep these items away from young children!

5-year limited warranty

Visit www.rocketfishproducts.com for details.

We're here for you

www.rocketfishproducts.com

For customer service, call:

800-620-2790 (U.S./Canada markets)

01 800-926-3010 (Mexico market)

© 2010 BBY Solutions, Inc., All Rights Reserved.

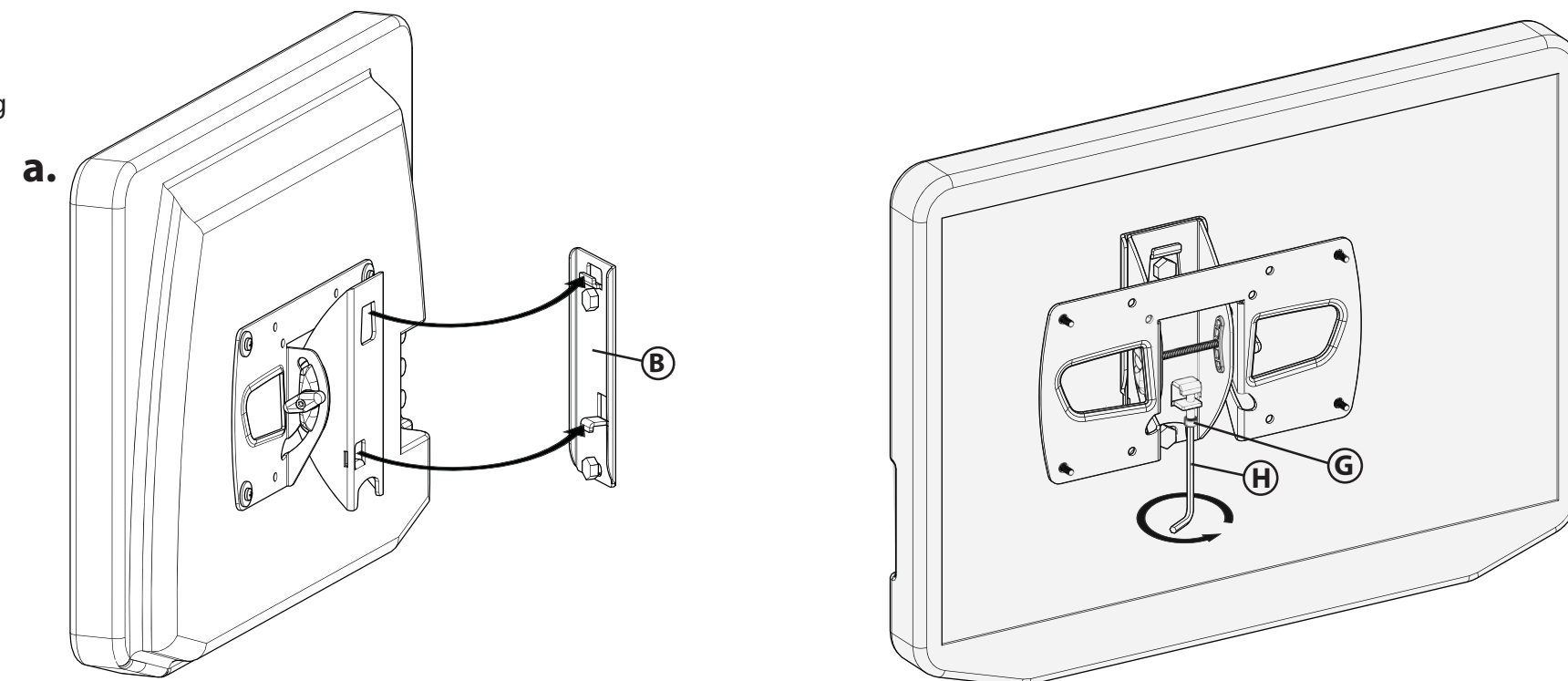
Distributed by Best Buy Purchasing, LLC 7601 Penn Avenue South, Richfield, MN USA 55423-3645

Best Buy Imports, S. de R.L. de C.V. Av. Santa Fe 485, Segundo Piso, Colonia Cruz Manca, Programa Parcial de Desarrollo Santa Fe, Delegación Cuajimalpa, Distrito Federal, México 05349

ROCKETFISH is a trademark of BBY Solutions, Inc. Registered in some countries. All other products and brand names are trademarks of their respective owners.

4 Mount the TV to the wall

a. Slide the TV/wall bracket assembly down over the tabs on the wall plate (B), then tighten the locking screw with the hex key (H).



HEAVY! You will need assistance with this step.

Free Manuals Download Website

<http://myh66.com>

<http://usermanuals.us>

<http://www.somanuals.com>

<http://www.4manuals.cc>

<http://www.manual-lib.com>

<http://www.404manual.com>

<http://www.luxmanual.com>

<http://aubethermostatmanual.com>

Golf course search by state

<http://golfingnear.com>

Email search by domain

<http://emailbydomain.com>

Auto manuals search

<http://auto.somanuals.com>

TV manuals search

<http://tv.somanuals.com>