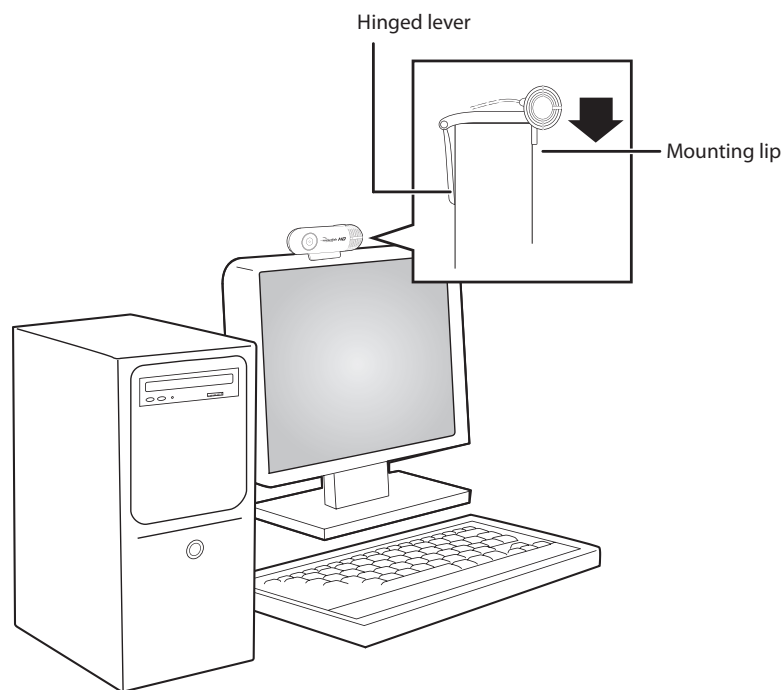
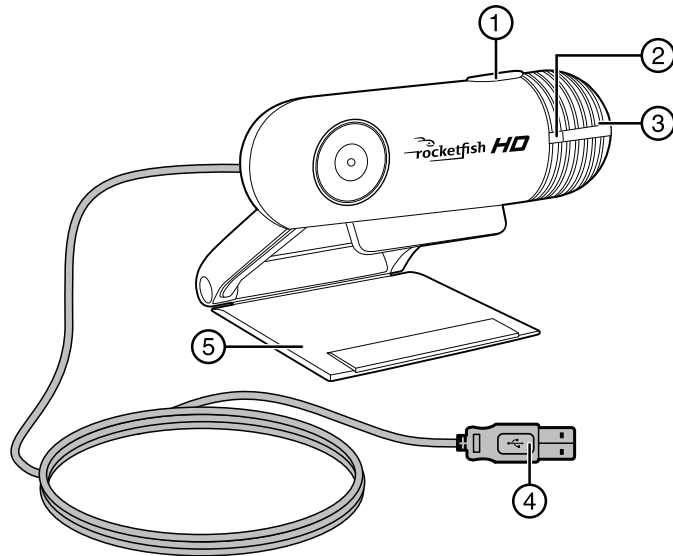


RF-HDWEBLT | Rocketfish HD Webcam Lite | Quick Setup Guide



Package contents

- Webcam
- Installation CD
- Quick Setup Guide

Features

#	Component	Description
1	Snapshot button (For Windows only)	<ul style="list-style-type: none"> • Press to launch Live! Central software • Press to capture photos or start/stop video recording (when Live! Central is running)
2	Power LED	Lights yellow when your webcam is in use
3	Microphone	Captures audio during video chats
4	USB Cable	Connects to your computer's USB port
5	Hinged lever	Use this to mount your webcam to an LCD display

Installing your webcam

Your webcam is Plug & Play capable, so no installation is needed. However, for Windows® 7, Windows Vista®, or Windows XP® users, installing software will allow full functionality of the webcam's features. Install the software and drivers before connecting your webcam. Software support is not available for Mac systems.

Note: This webcam is compatible with Mac OS X 10.4.11 or higher. The webcam uses the general functionality provided by OS X and, as such, is limited.

To install your webcam on your Windows PC:

- 1 Insert the Installation CD into your CD or DVD drive. The CD should start automatically. If it does not, double-click the **My Computer** icon (or click **Start**, then click **My Computer**), right-click the CD-ROM/DVD-ROM drive icon, then click **Autoplay**.
- 2 When prompted, connect your webcam's USB cable to your computer.
- 3 If the *Found New Hardware Wizard* opens, click **No, not this time**, then click **Next** on this and all subsequent windows.
- 4 Mount your webcam on your monitor by placing the camera head on top of the monitor with the mounting lip over the front of the monitor and the hinged lever on the back.

Using your webcam

To capture images and videos, add video effects, enable Desktop Share or Media Show features on your Windows PC:

Click **Start, Programs** (or **All Programs**), **Rocketfish, Live! Cam, Live! Central**.

Note: For details about using your webcam's software, click **Help** from the application's main window.

One-year limited warranty

Visit www.rocketfishproducts.com for details.

Contact Rocketfish:

For customer service please call 1-800-620-2790

www.rocketfishproducts.com

Distributed by Best Buy Purchasing, LLC

7601 Penn Avenue South, Richfield, MN 55423-3645 USA

© 2010 BBY Solutions, Inc., All Rights Reserved. ROCKETFISH is a trademark of BBY Solutions, Inc.

© 2010 Best Buy UK Distributions Limited. All rights reserved.

Distributed by Best Buy Europe Distributions Limited. 1 Portal Way, London W3 6RS.

All other products and brand names are trademarks of their respective owners.

Free Manuals Download Website

<http://myh66.com>

<http://usermanuals.us>

<http://www.somanuals.com>

<http://www.4manuals.cc>

<http://www.manual-lib.com>

<http://www.404manual.com>

<http://www.luxmanual.com>

<http://aubethermostatmanual.com>

Golf course search by state

<http://golfingnear.com>

Email search by domain

<http://emailbydomain.com>

Auto manuals search

<http://auto.somanuals.com>

TV manuals search

<http://tv.somanuals.com>